

SensingEdges

Applications

- **Sliding Gates**
- **Swinging Gates**
- **Bi-Parting Gates**

About the MGR20 and MGS20...

Designed specifically for easy installation on standard 2" round or square frames, the MGR20 and MGS20 offer 3-sided activation for an added measure of protection. When touched, these electrically activated edge sensors immediately signal the gate operator to stop and reverse. The sleek design will not detract from the appearance of the gate.



OPTIONS:

- Color: Caution Yellow (MGR20Y or MGS20Y)
- 4 wire self monitoring electrical configuration
- 4 wire control panel (MFSC-100)
- 4 wire intrinsically safe control panel (FSIS-35-4)

TECHNICAL SPECIFICATIONS:

Color:	Black
Length:	per specification to nearest 1/4"
Max. Length	up to 10 feet.
Lead Wire:	SJTO, 18 gauge, 2ft. length
Sensitivity:	nominal 6-8 psi
Electrical Diagram:	2 wire N.O. configuration
Electrical Requirements:	24 volt AC or DC, 1/2 amp
Mechanical Diagram:	See drawings on reverse side
Contact Element:	Alumaglas®
Materials:	Base: Rigid extruded PVC
Cover:	Flexible PVC
Temperature Range:	-30°F to +155°F
Wire Outlet Location:	Universal, Right, or Left side

FUNCTIONAL BENEFITS:

- 3-sided activation
- Touch sensitive signalling
- Easy to install
- Contours to round or square gate post
- ANSI/UL325 Recognized Component



* Use only with gate operators in compliance with current state and Federal safety standards
U.S. patent #5,299,387. Other patents apply.



Model # MGS20 & MGR20

SensingEdges

Installation

The MGR20 and MGS20 were designed to minimize installation time while offering customers the three sided protection for the leading edge of the gate. These edge sensors simply clip on to the 2" frame. The rigid base extends beyond the sensitized portion of the edge sensor to form mounting flanges. To mount, drill 1/8" holes through the mounting flanges and into the gate frame every 24 inches. Permanently attach with #10 screws. Run wire to the gate operator and attach to safety reverse terminals per the gate operator installation manual. Test the edge sensor and inform the property owner of their obligation to regularly test. When properly maintained, the MGR20 and MGS20 offer years of trouble free service.

Note: For safe operation, use maximum 24 volt AC or DC power. For detailed instructions, contact Miller Edge, Inc.

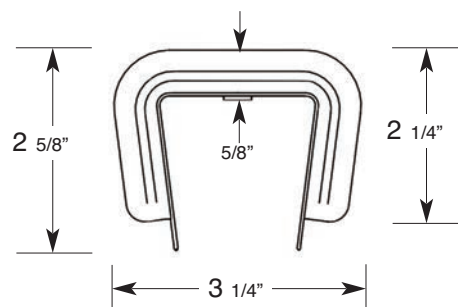
Care of the MGR20 & MGS20. . .

Minimum care is required for the MGR20 and the MGS20 since they are manufactured with only the most durable materials and the highest quality control standards. However, SensingEdges™ should be examined regularly for cuts or punctures which could damage internal components. Check wiring to be sure connections are secure. When properly maintained, both the MGR20 and the MGS20 offers years of trouble free operation.

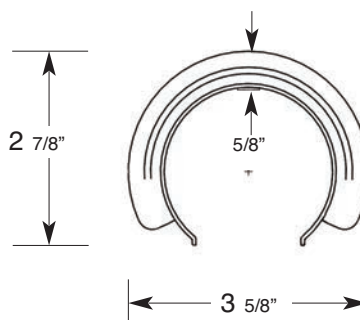
Warranty

We will replace within one year of shipment from our factory, any SensingEdge™ subject to normal use which is found to have defective materials or workmanship, as determined solely by our factory representative. Replacements will be shipped to you freight collect. This warranty is void where evidence of misuse or abuse is present.

Mechanical Diagrams:



MGS20
for 2" Square Frames



MGR20
for 2" Round Frames



MGRMGS20_Spec_20131205