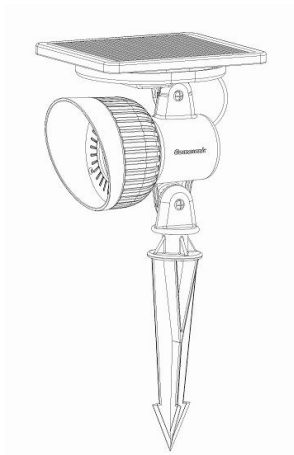




## **Progressive Solar Spot Light**

### **Instruction Manual**

#### **Model: GS-**



#### **Introduction**

Thank you for your purchase. **GAMA SONIC®** solar charged accent lighting eliminates the problems associated with most solar lighting available today. **GAMA SONIC®** solar charged lights are brighter and last all night with a typical solar charge. Unique design, superior light output and numerous installation options confirm the outstanding value of our product.

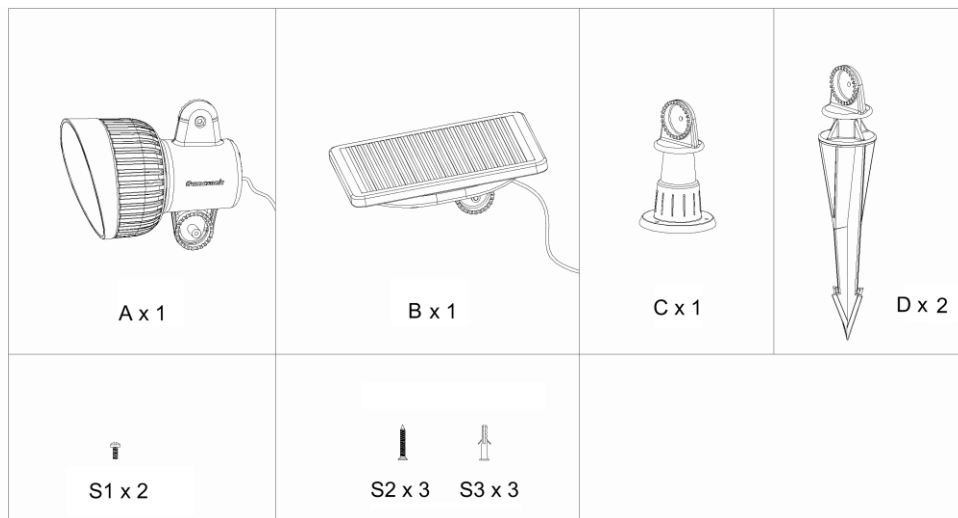
**GAMA SONIC®** has been recognized as a worldwide leader in the lighting industry for over 20 years. The company also offers unique multi-purpose rechargeable products that range from party lights to emergency lighting products.

For technical assistance and more information call our Toll Free number: 800-835-4113 (only within the US) or visit our website at:

[www.gamasonic.com](http://www.gamasonic.com).

Please read the instruction manual carefully to obtain the best results from your purchase.

Unpack the package and identify the following parts:



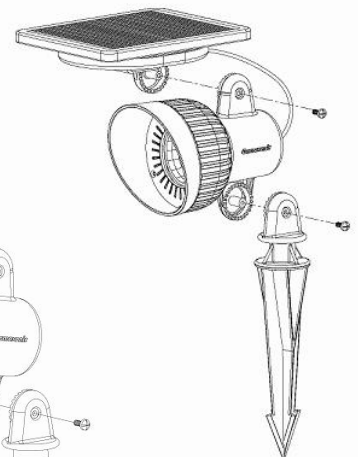
### Solar Spot Light Location

1. Place the solar spot light in a position where sunlight will shine directly on the solar panel free from cover and shade.
2. Make sure that the solar panel is not going to be affected by any other light source at night. Otherwise the light will not illuminate after dusk.

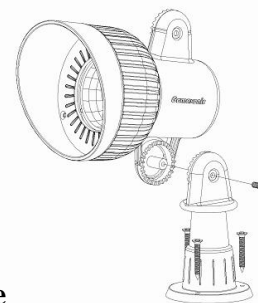
### Assembly Instructions for solar panel and light together

1. Assemble the Stake (D) **or** the Base bracket (C) onto the body unit (A) using the screw (S1) and nut provided (Fig. 1 Stake) or (Fig. 2 Base).
2. Assemble the solar panel (B) onto the body unit (A) using the screw (S1) and nut provided (Fig. 1).

**Fig. 1**



**Fig. 2**

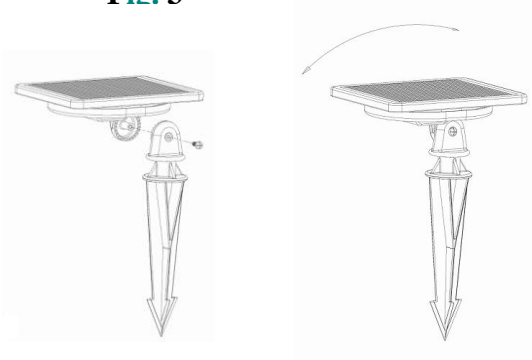


**NOTE: If the ground is hard and packed, moisten the ground with water before inserting the stake (to avoid breakage).**

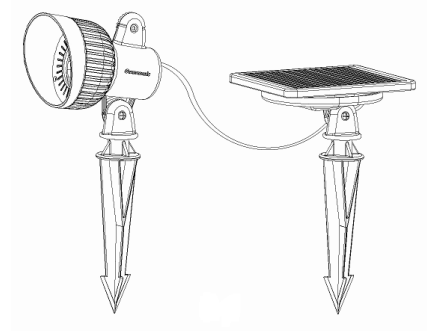
Assembly Instructions for solar panel and light separated

In case you need to install the solar panel remotely for maximum sun exposure, follow below instructions.

**Fig. 3**



**Fig. 4**

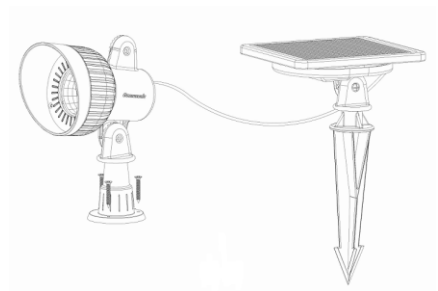


1. Before installing the solar panel in a remote location, unpack the extension electric wire under the solar panel to the desired length.

2. Assemble the solar panel (B) onto the stake (D) using the screw provided (Fig. 3).

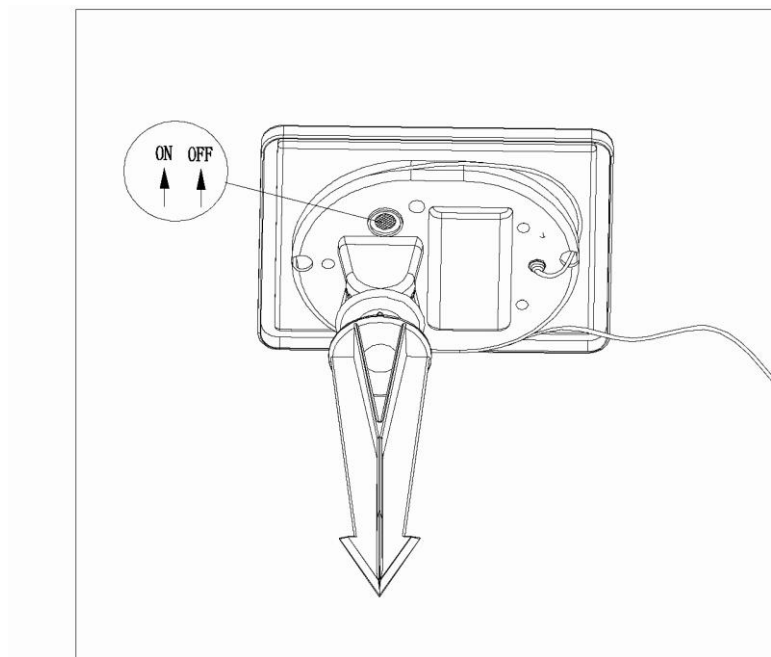
3. Assemble the Stake (D) (Fig. 4) **or** the Base bracket (C) (Fig. 5) onto the body unit (A) using the screw (S1) and nut provided (Fig. 1 (Stake) or Fig. 2 Base).

**Fig. 5**



Note: 45 degree toward the south is the recommended angle and direction in North America to absorb maximum sun energy during the day.

## Operation



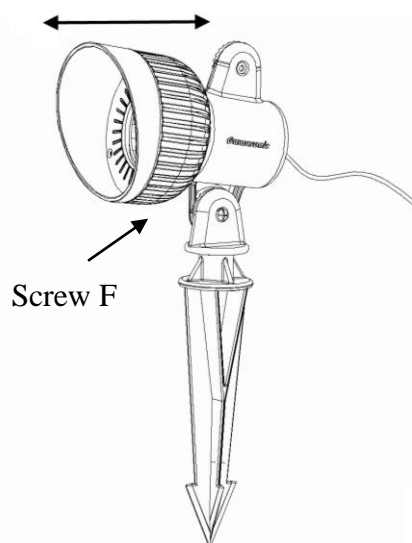
**Fig. 6**

The On/Off button is located on the bottom side of the solar panel. Turn the light On and Off by pushing the On/Off button. (Fig. 6).

## Adjustable Lens - Focus

You can adjust the focus beam of the light by moving the lens forward and backwards (Fig. 7).

1. Loosen screw F (Fig. 7) until you can easily move the lens to the desired position and retighten. (Be careful to only loosen the screw)



**Fig. 7**

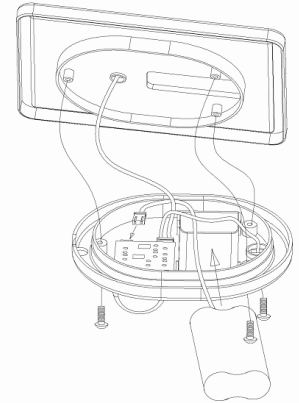
**NOTE:** For best results the solar spot light must be charged for two full sunny days

### **Replacing the Batteries**

(After several years of use, the batteries may need replacing).

1. Unscrew the 3 screws on backside of the solar panel (Fig. 8).
2. Remove the battery by unclipping the connector. Make sure the new battery pack is high quality Li-ion rechargeable batteries.
3. Connect the new battery pack and place into the battery compartment.
4. Reassemble the unit by reversing the above procedure.

**Fig. 8**



**WARNING:** Do not dispose of Li-Ion battery in the regular trash, municipal waste stream or by fire as batteries may leak or explode. Do not open, short circuit, or mutilate batteries as injury may occur. Preserve our environment by recycling Li-Ion batteries or disposing of them in accordance with local, State and federal regulations. Do not mix old and new batteries.

### **Maintenance**

Clean the solar module regularly with a damp towel to guarantee optimum performance of the solar panel. Do not use any type of solvent for cleaning and be careful not to put too much pressure on the module while cleaning.

### **Trouble Shooting**

If your solar charged light does not come on at dusk despite observance of all the instructions, please try the following steps:

1. Make sure that the solar light is not being affected by any other light source.
2. Ensure the solar light is not affected by any shade during the day.
3. Make sure the light is in the 'ON' position.
4. Check that the batteries are installed correctly.

**NOTE:** The performance of the solar lamp will vary with the time of year. It will deliver more light when it has had a full day of direct sun rather than a day in overcast weather.

**WINTERTIME TIPS:** For optimal performance, be sure to remove any snow or debris accumulation from solar panel. A solar panel free of debris will charge the batteries much more efficiently.

**WARNING:** Please keep out of reach of children.

