

DESIGN

PURCHASE

CONSTRUCT

ENJOY

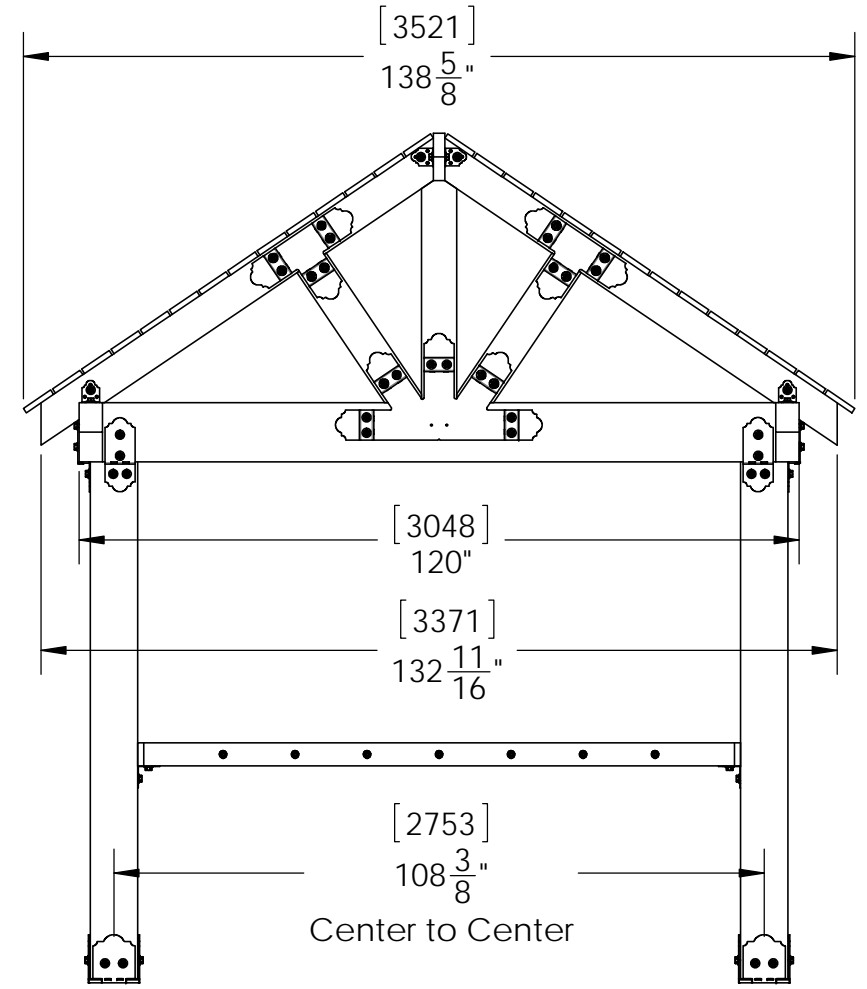
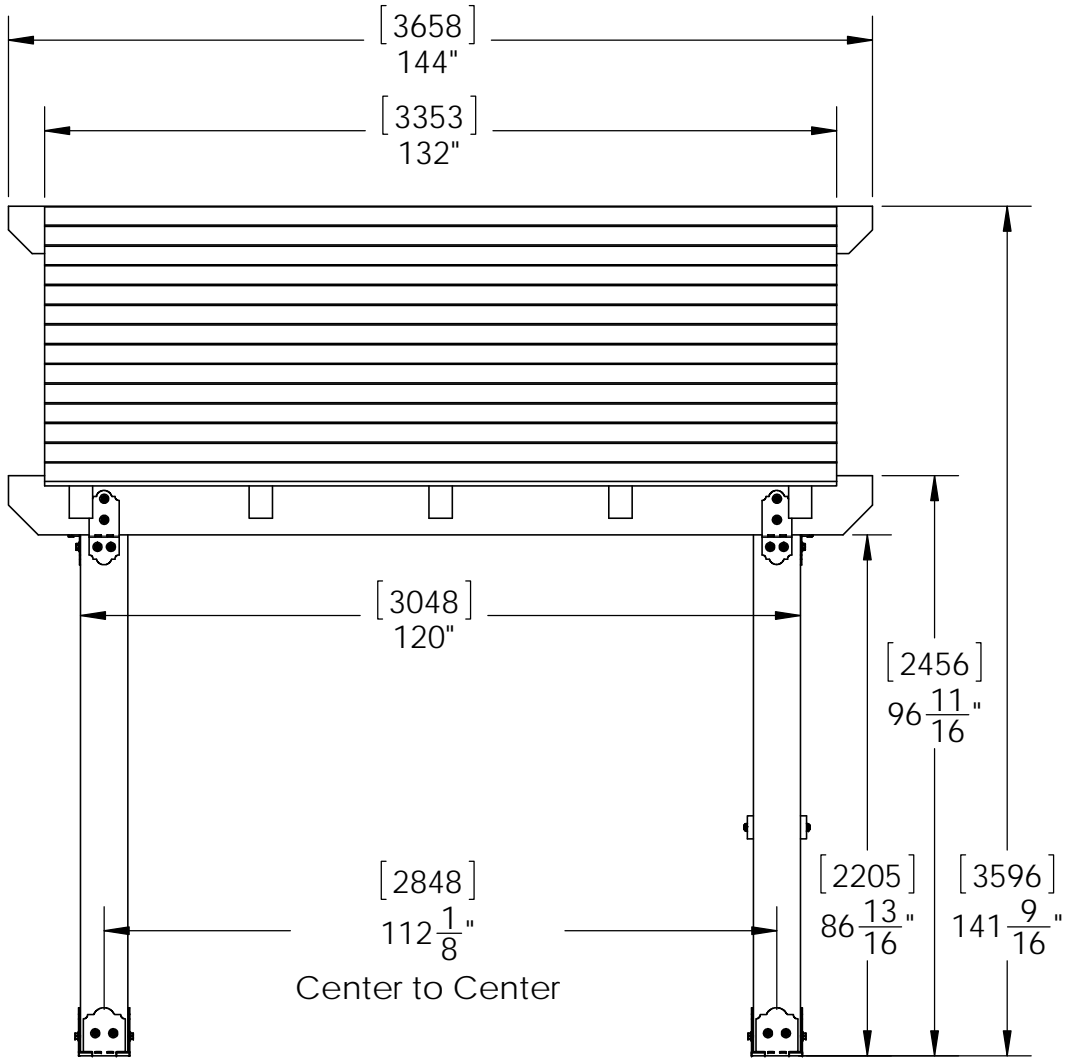
Project 210 Wood Post & Beam Pavilion - Free Standing



OZCO BUILDING PRODUCTS

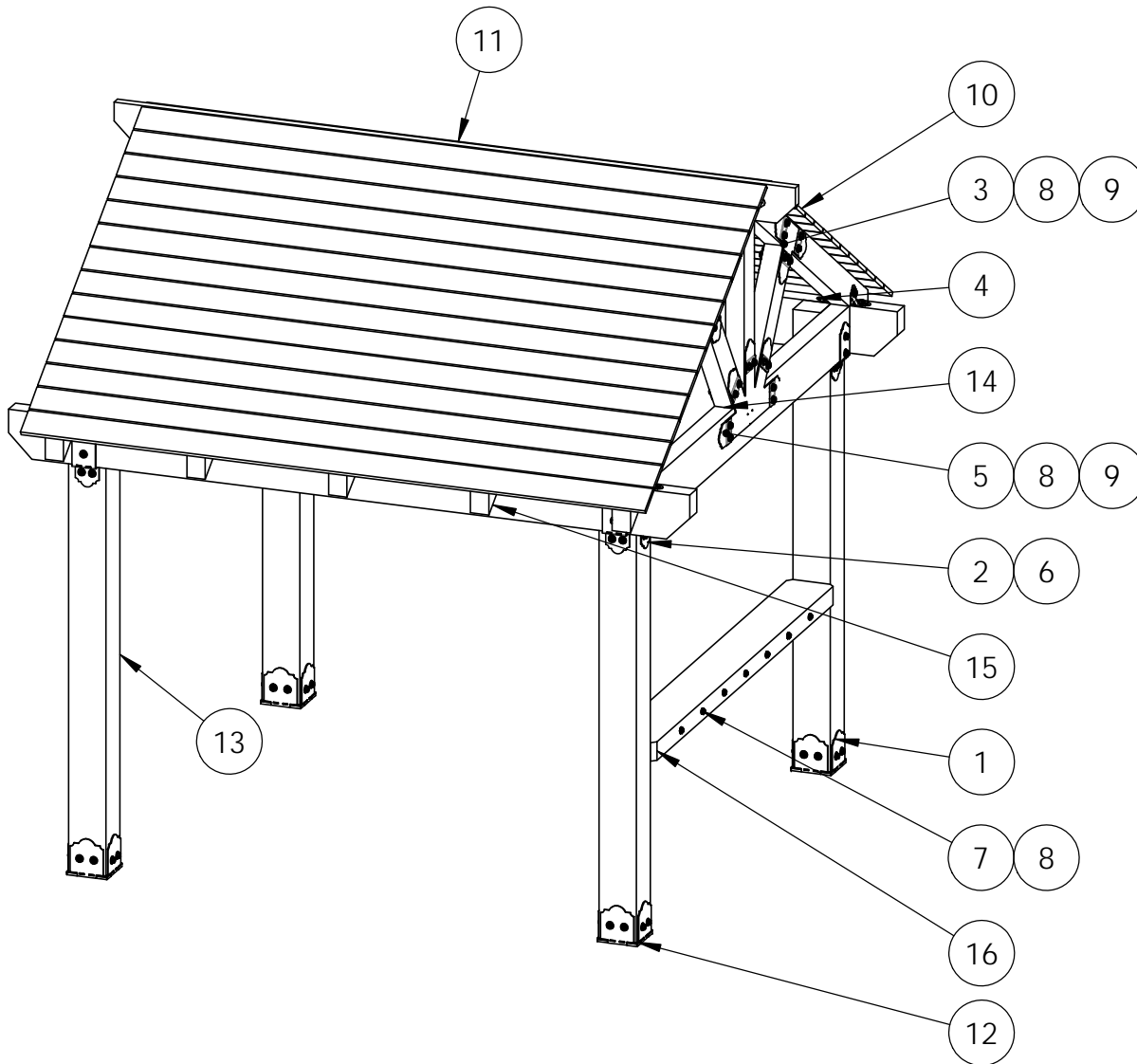
Project 210 Wood Post & Beam Pavilion - Free Standing

V1.00 - Installation Instructions effective May 1, 2015 and reflects information that available as of April 10, 2014. This information is updated periodically and should not be relied upon after May 1, 2015. Please visit www.OZCOBP.com to get current information



Overview

Project 210 Wood Post & Beam Pavilion - Free Standing



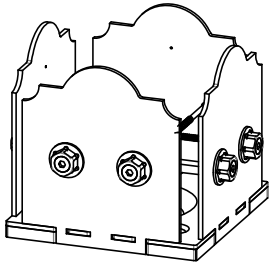
| ITEM NO. | QTY. | PART NUMBER | DESCRIPTION |
|----------|------|------------------|------------------------------------|
| 1 | 4 | 56609 | Assembly, 8x8 Post Base |
| 2 | 4 | 56636 | Assembly, Post to Beam Bolt Offset |
| 3 | 4 | 56612 | T Tie Plate |
| 4 | 5 | 56618 | 4" Standard Rafter Clip |
| 5 | 4 | 56619 | Truss Base Fan 8:12 |
| 6 | 8 | 56651 | OWT Timber Bolt 8-10" 1-1/4" |
| 7 | 1 | 56622 | Hammered Dome Cap Nut |
| 8 | 3 | 56625 | OWT Timber Screw 1-3/4" |
| 9 | 22 | 56611 | Truss Accent Assembly |
| 10 | 28 | 1x6 Cedar Board | 1x6x132" |
| 11 | 1 | 2x8 Cedar Board | 2x8x144" |
| 12 | 3 | 8x8 Cedar Post | 8x8x96" |
| 13 | 1 | 8x8 Cedar Post | 8x8x96" |
| 14 | 6 | 4x6 Cedar Board | 4x6x37" |
| 15 | 10 | 4x6 Cedar Board | 4x6x84" |
| 16 | 5 | 4x10 Cedar Board | 4x10x100 1/2" |



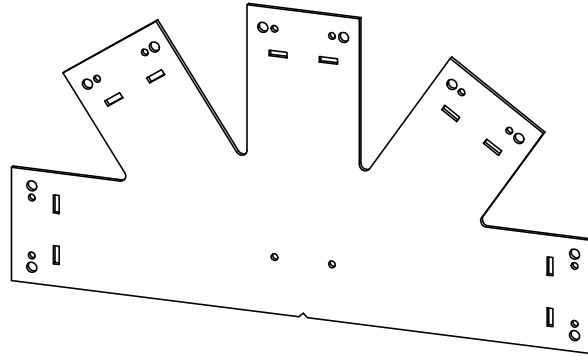
roofing option & Bill of Material

Bill of Material

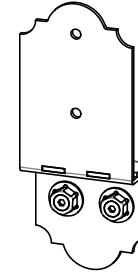
Project 210 Wood Post & Beam Pavilion - Free Standing



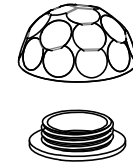
56609



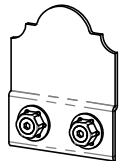
56619



56636



56622



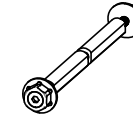
56611



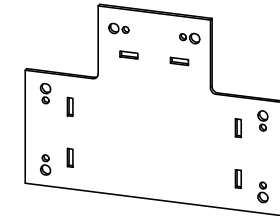
56618



56625



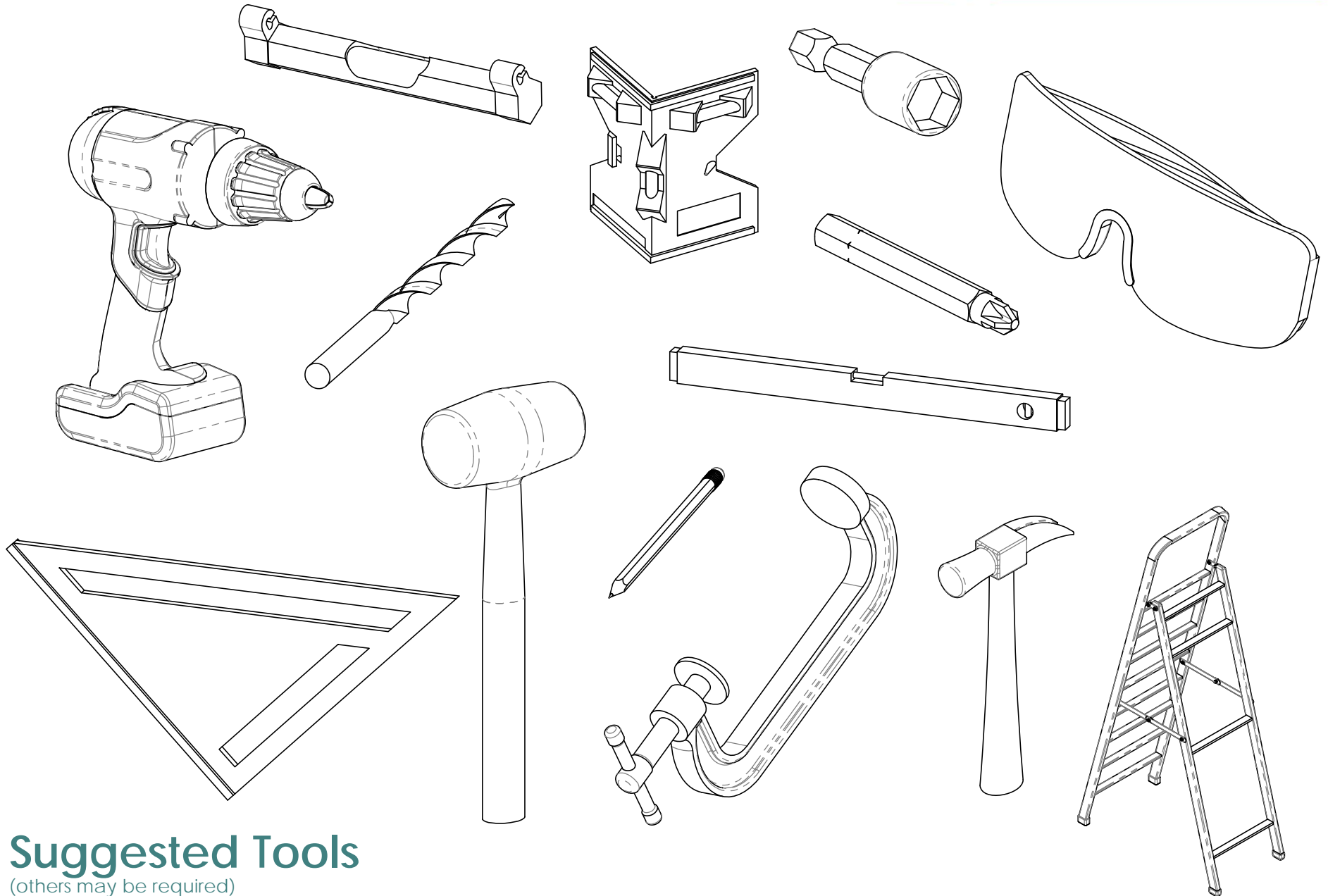
56651



56612



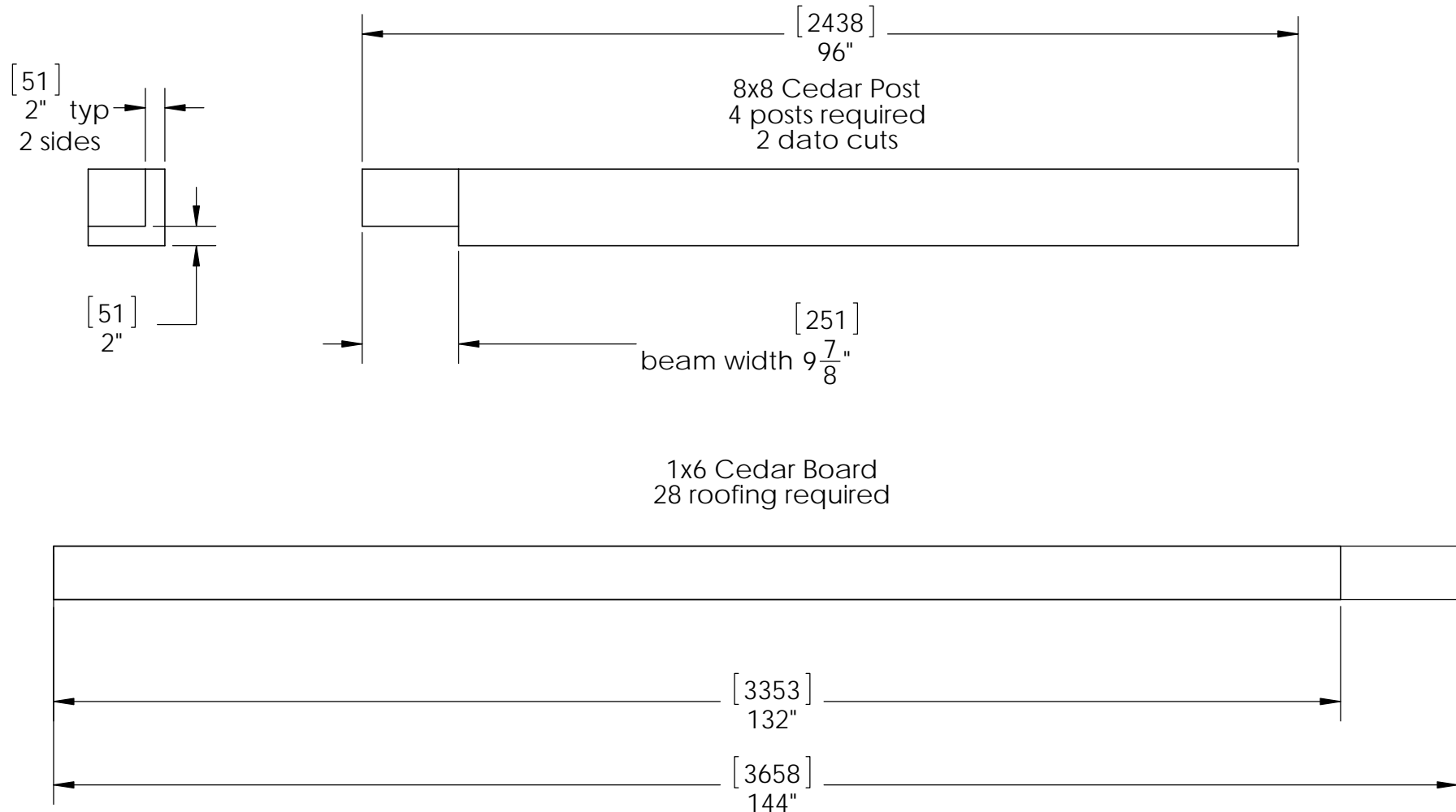
install Ozco product with
instructions provided in packaging



Suggested Tools

(others may be required)

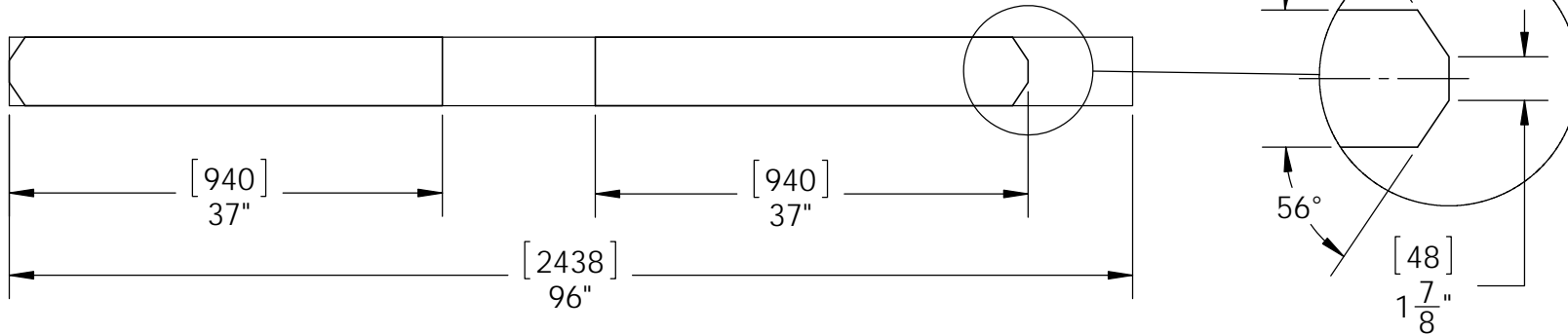
Project 210 Wood Post & Beam Pavilion - Free Standing



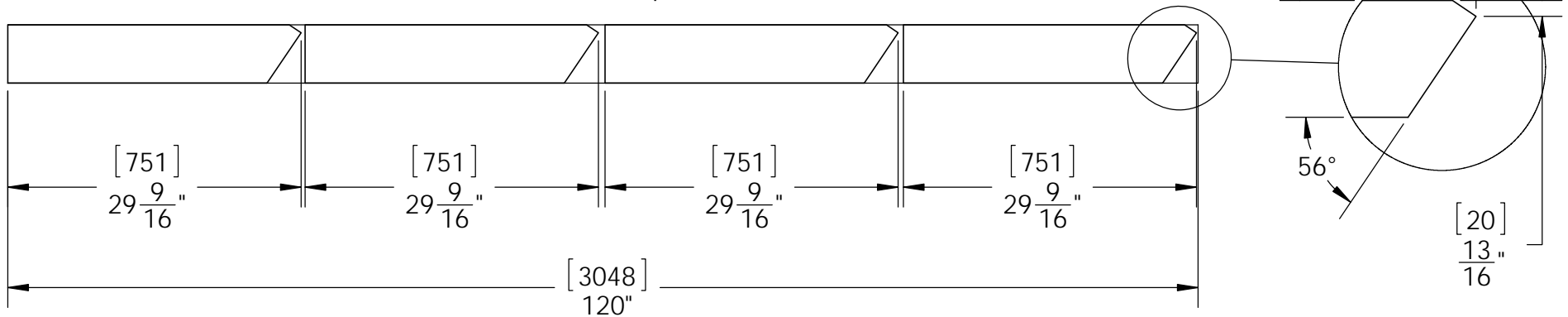
Cutlist1

Project 210 Wood Post & Beam Pavilion - Free Standing

4X6 Cedar Board
2 king posts required

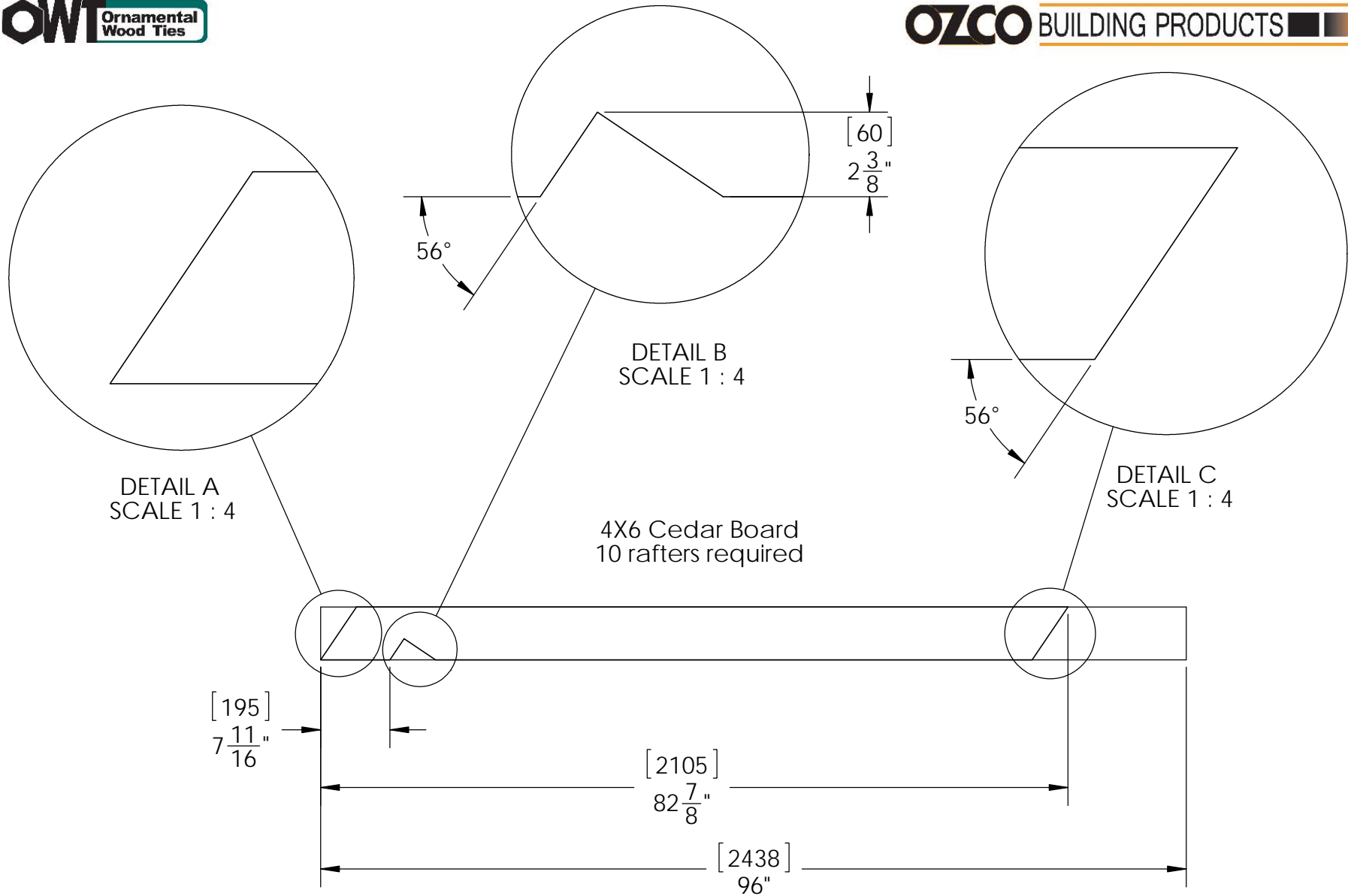


4X6x12 Cedar Board;
4 web's required



Cutlist2

Project 210 Wood Post & Beam Pavilion - Free Standing

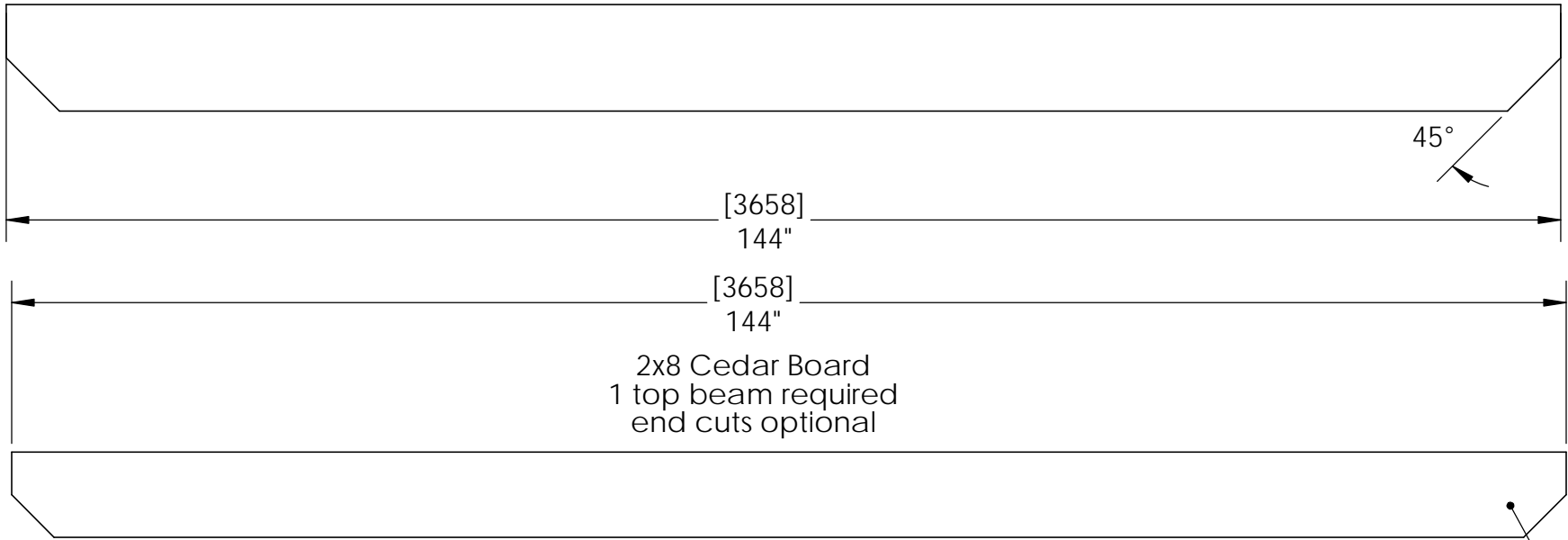


Cutlist3

Project 210 Wood Post & Beam Pavilion - Free Standing

4x10 Cedar Board
2 beams required

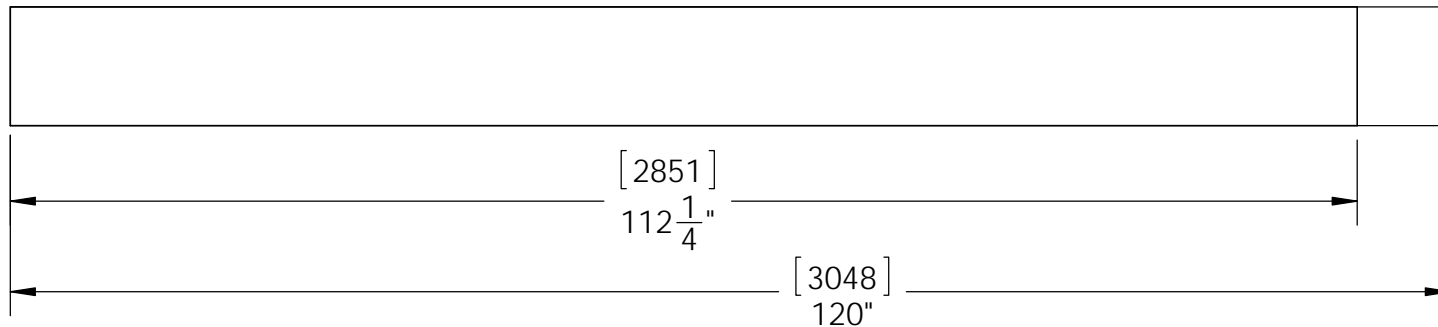
[102]
4"



2x8 Cedar Board
1 top beam required
end cuts optional

see Ozco website
for end cut options
& downloadable
templates

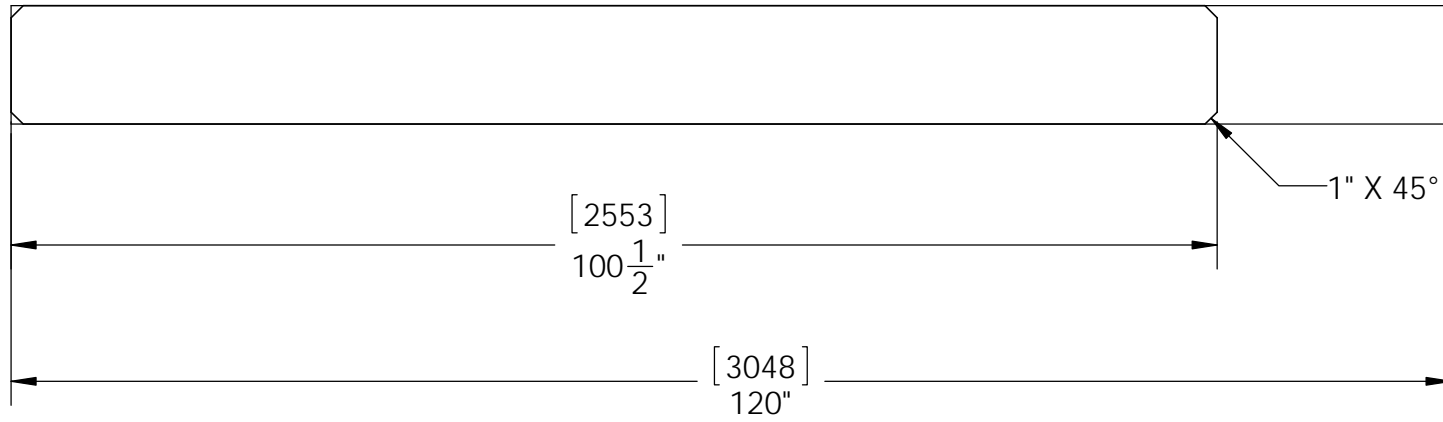
4x10 Cedar Board
2 beams required



Cutlist4

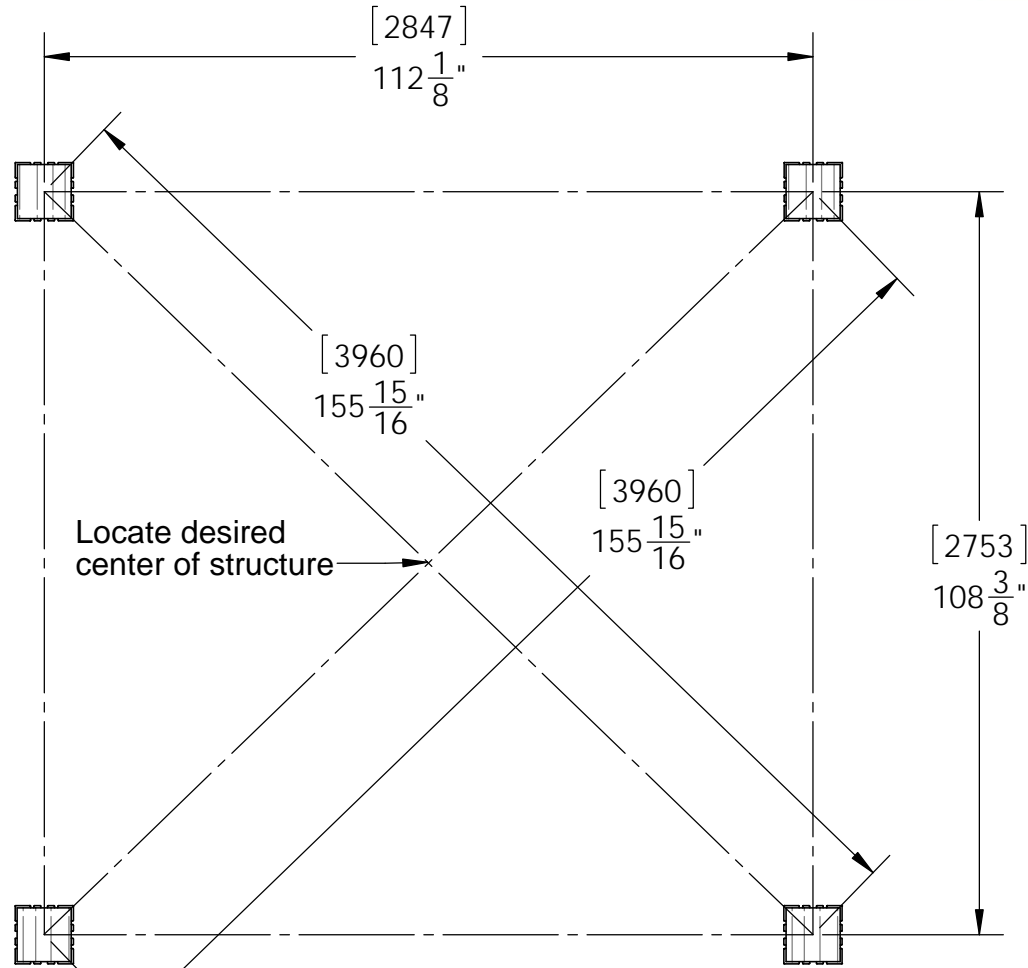
Project 210 Wood Post & Beam Pavilion - Free Standing

4x10 Cedar Board
1 Bar required



Cutlist5

Project 210 Wood Post & Beam Pavilion - Free Standing

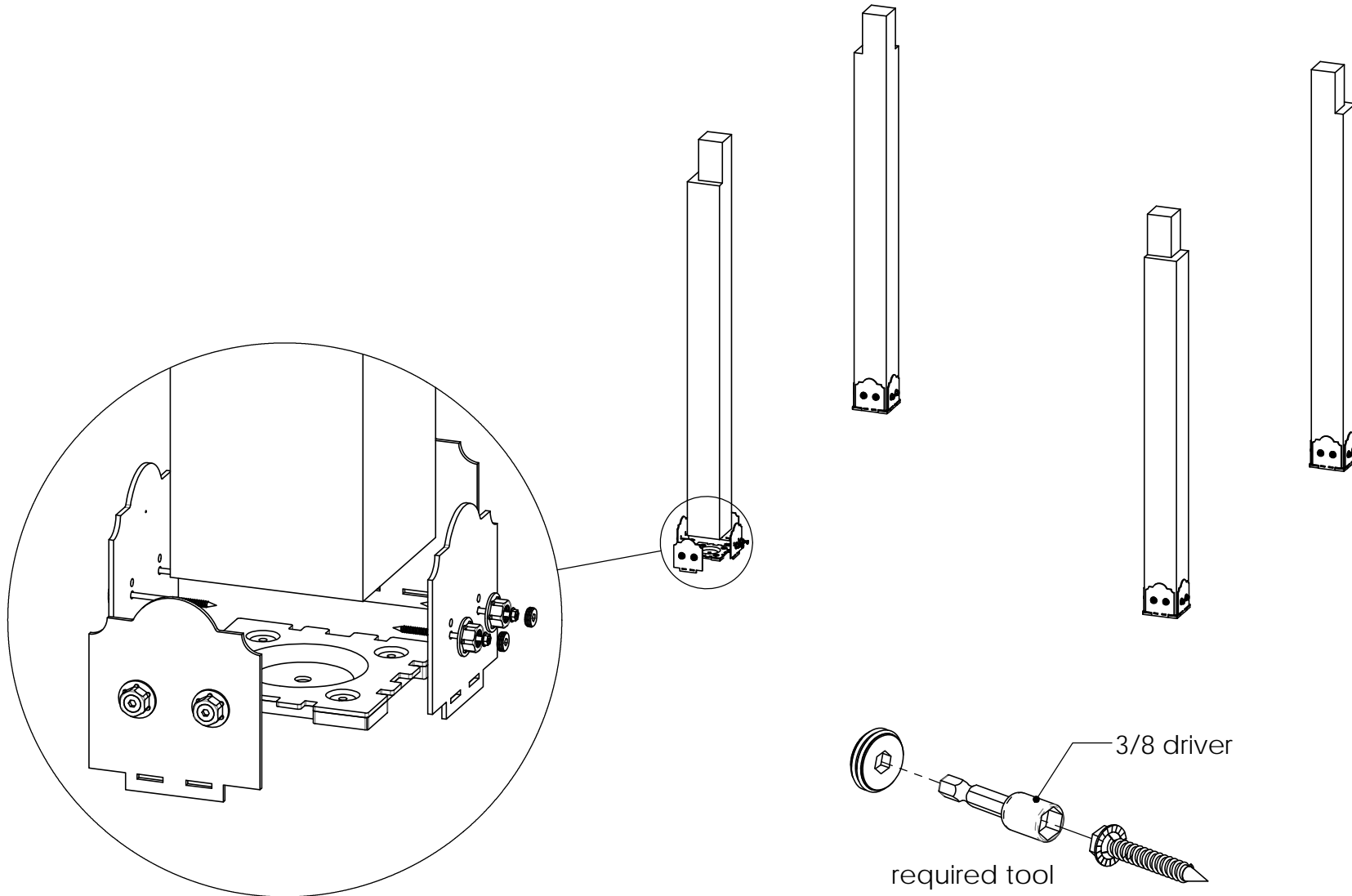


if site is not level,
see Ozco Site Leveling instruction



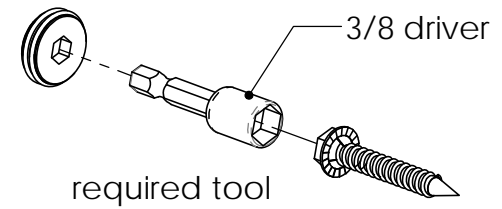
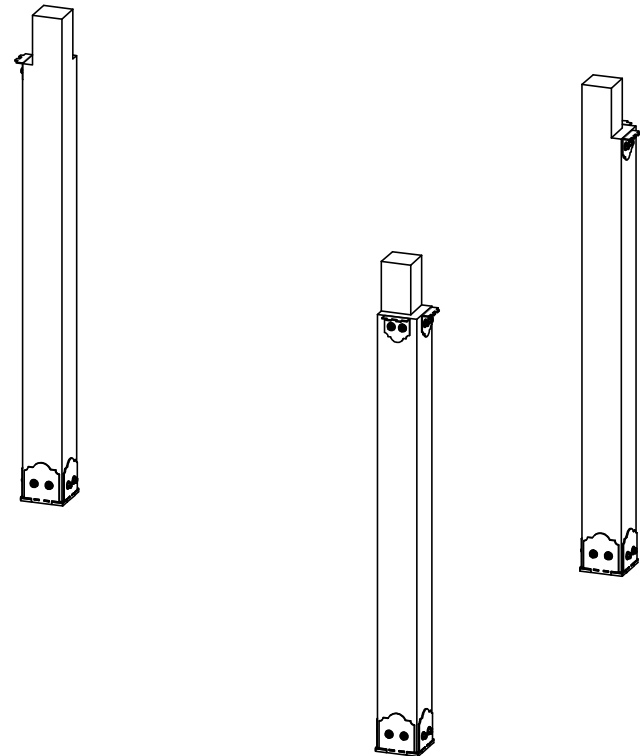
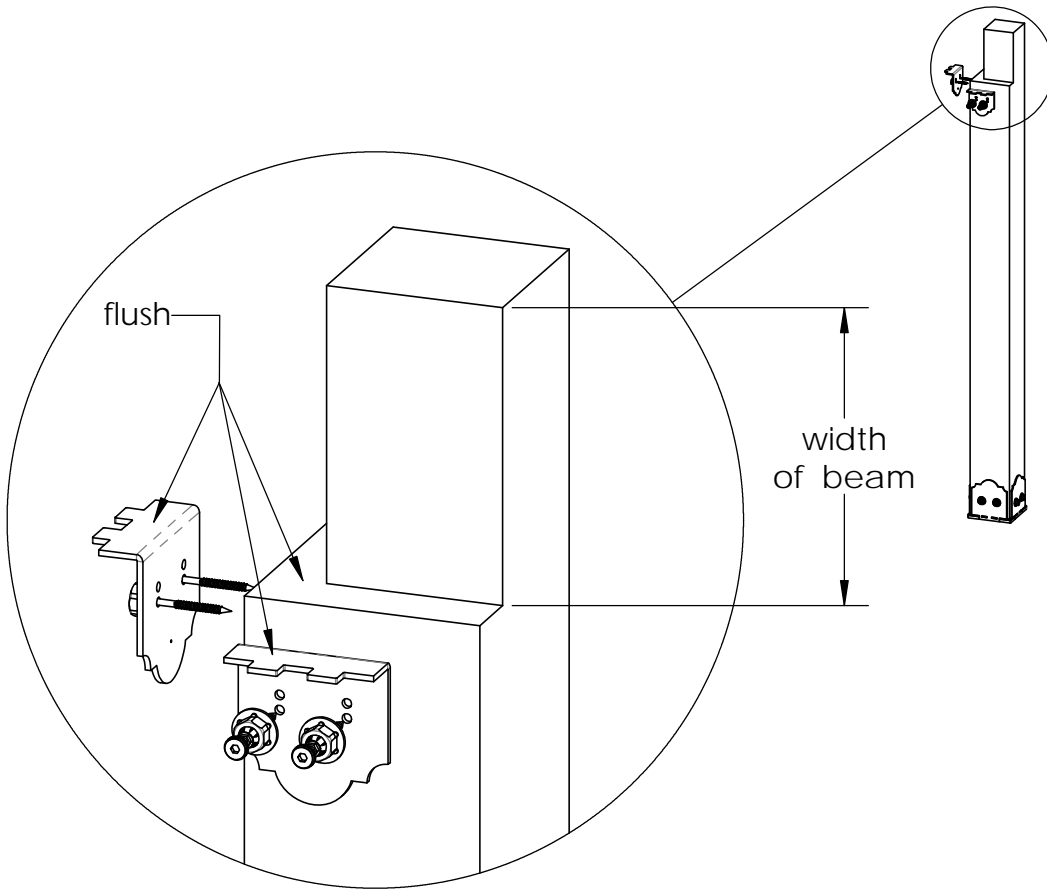
site plan

Project 210 Wood Post & Beam Pavilion - Free Standing



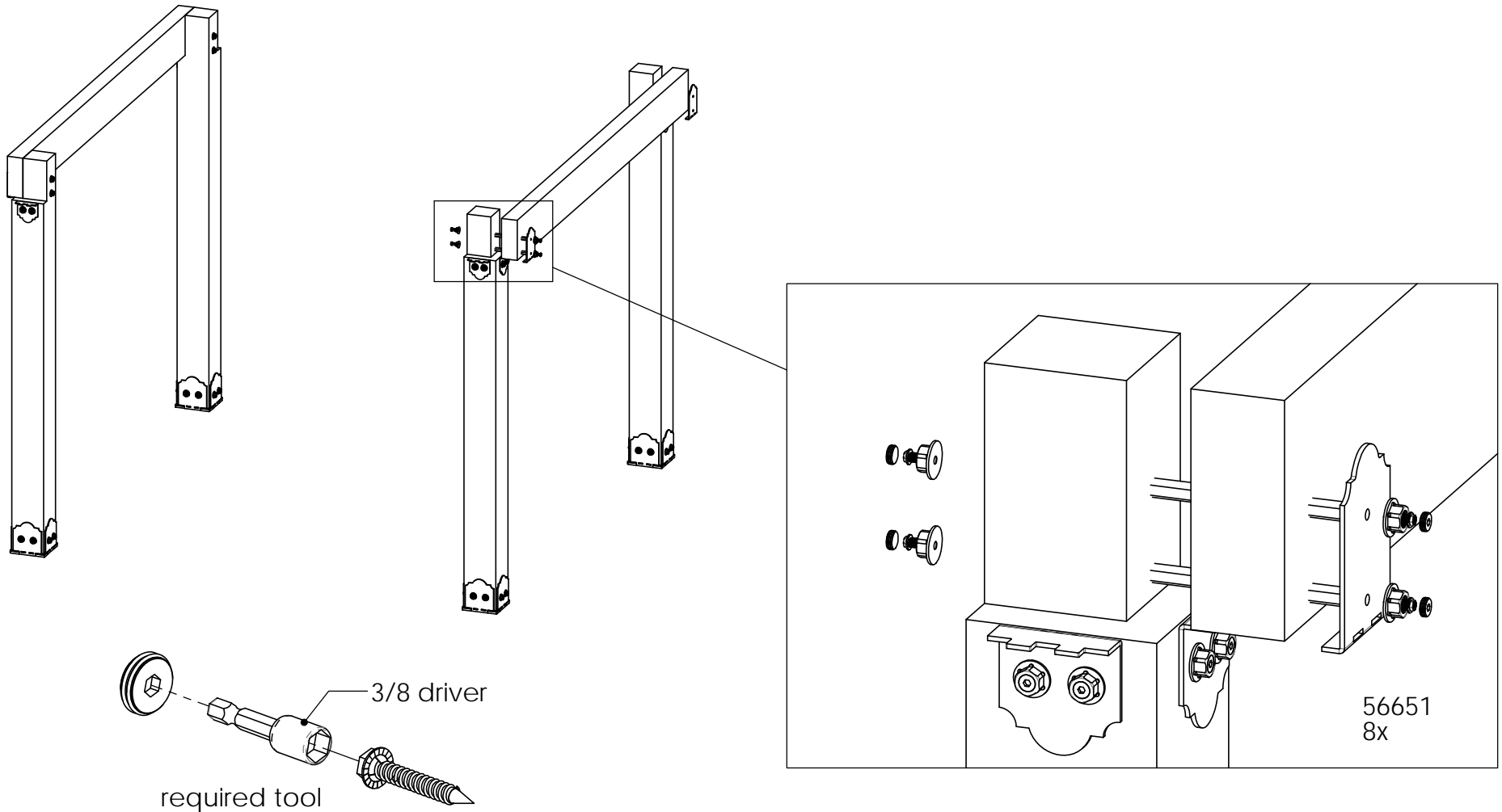
step 1

Project 210 Wood Post & Beam Pavilion - Free Standing



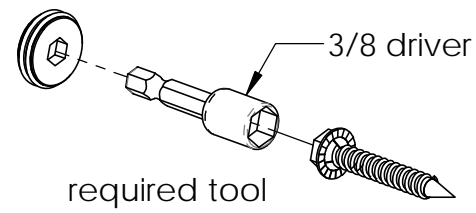
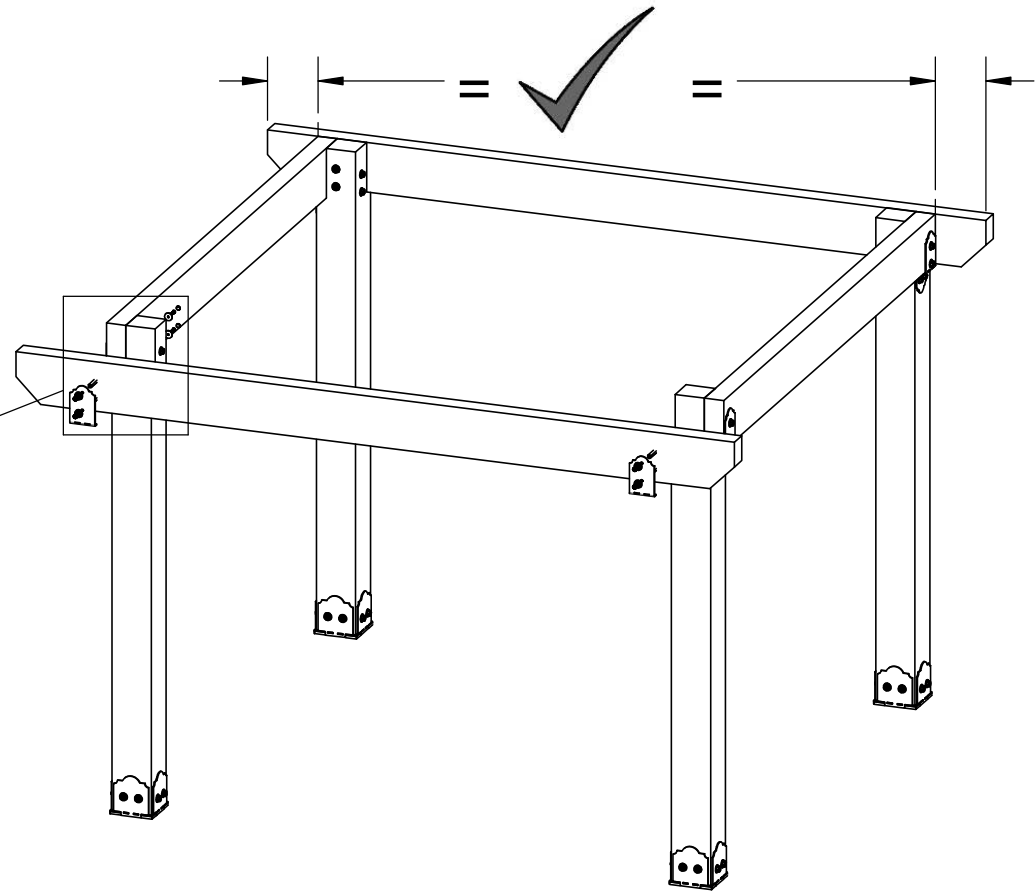
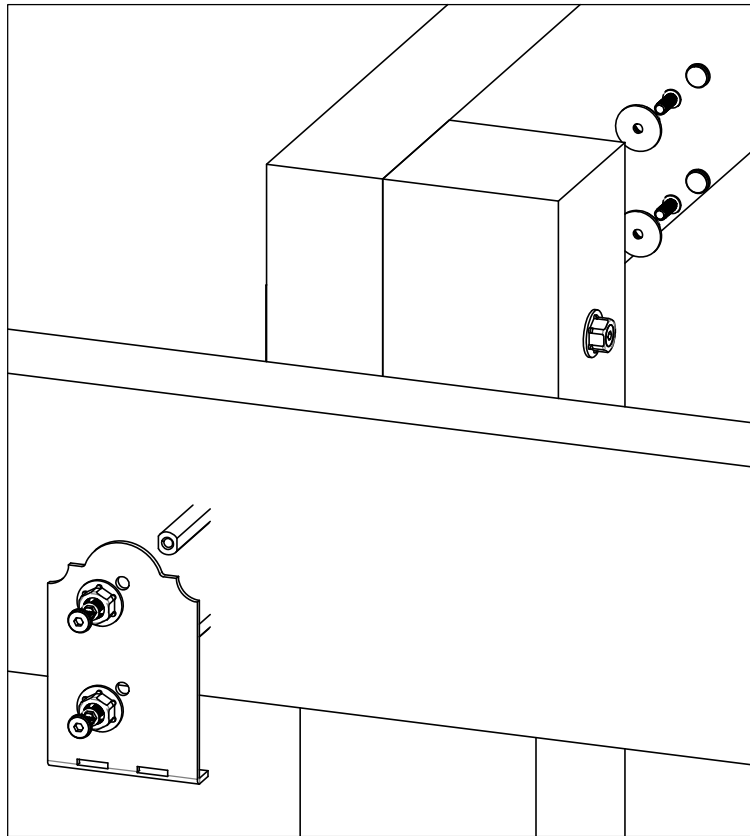
step 2

Project 210 Wood Post & Beam Pavilion - Free Standing



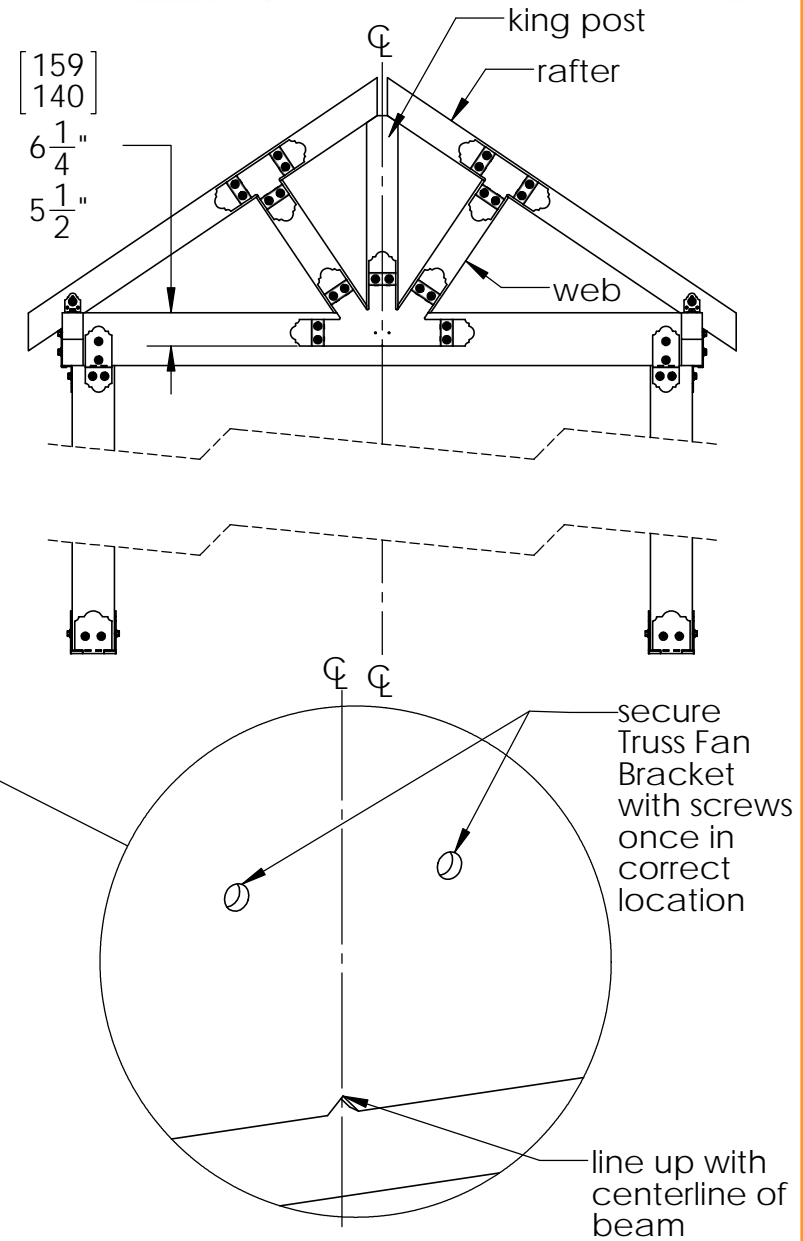
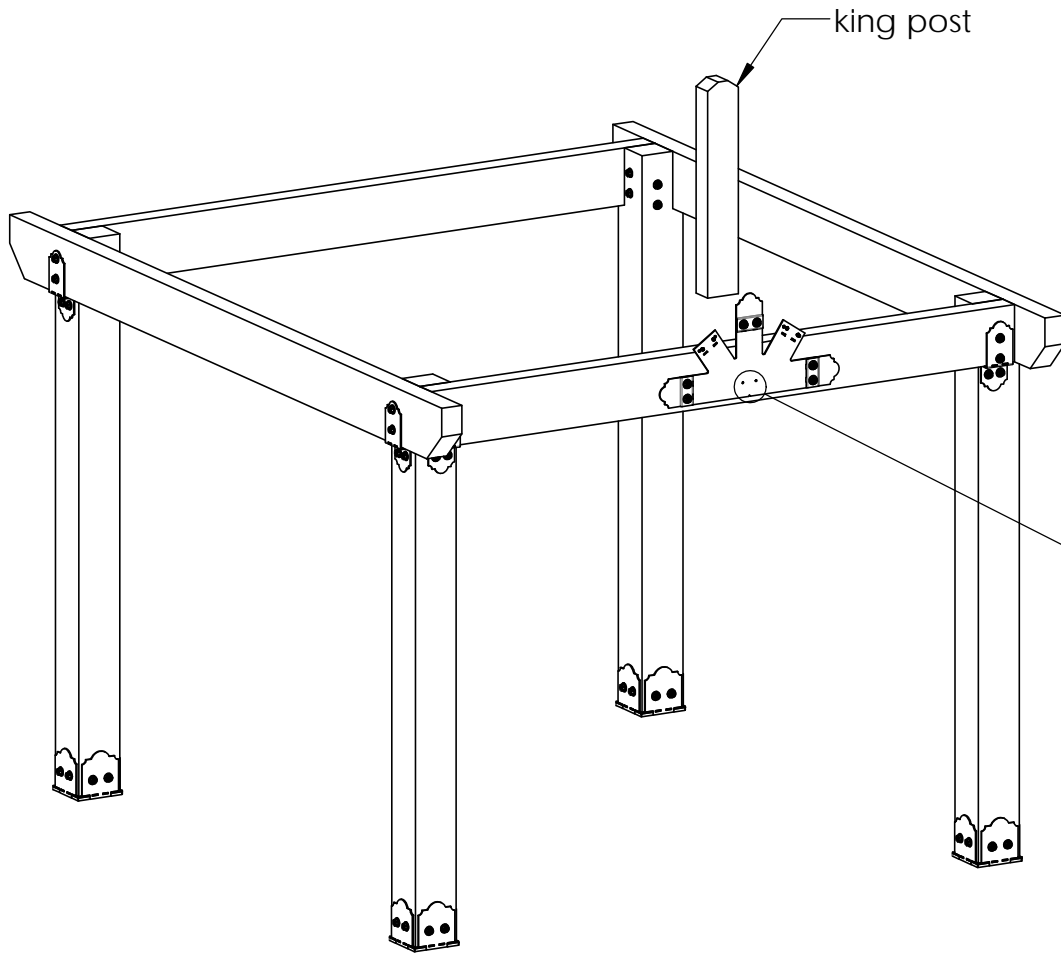
step 3

Project 210 Wood Post & Beam Pavilion - Free Standing



step 4

Project 210 Wood Post & Beam Pavilion - Free Standing



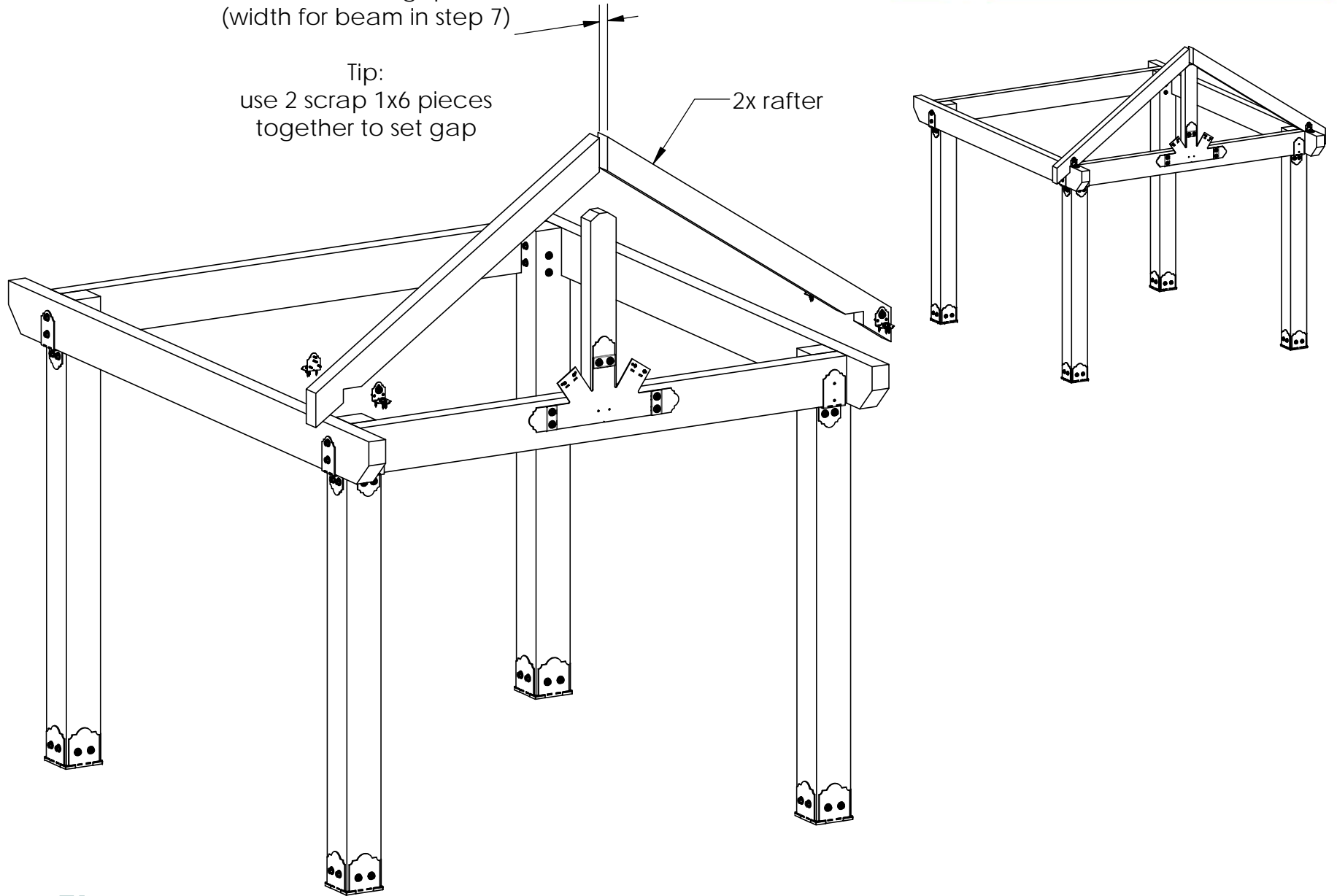
step 5

Project 210 Wood Post & Beam Pavilion - Free Standing

1-7/8 to 2" gap
(width for beam in step 7)

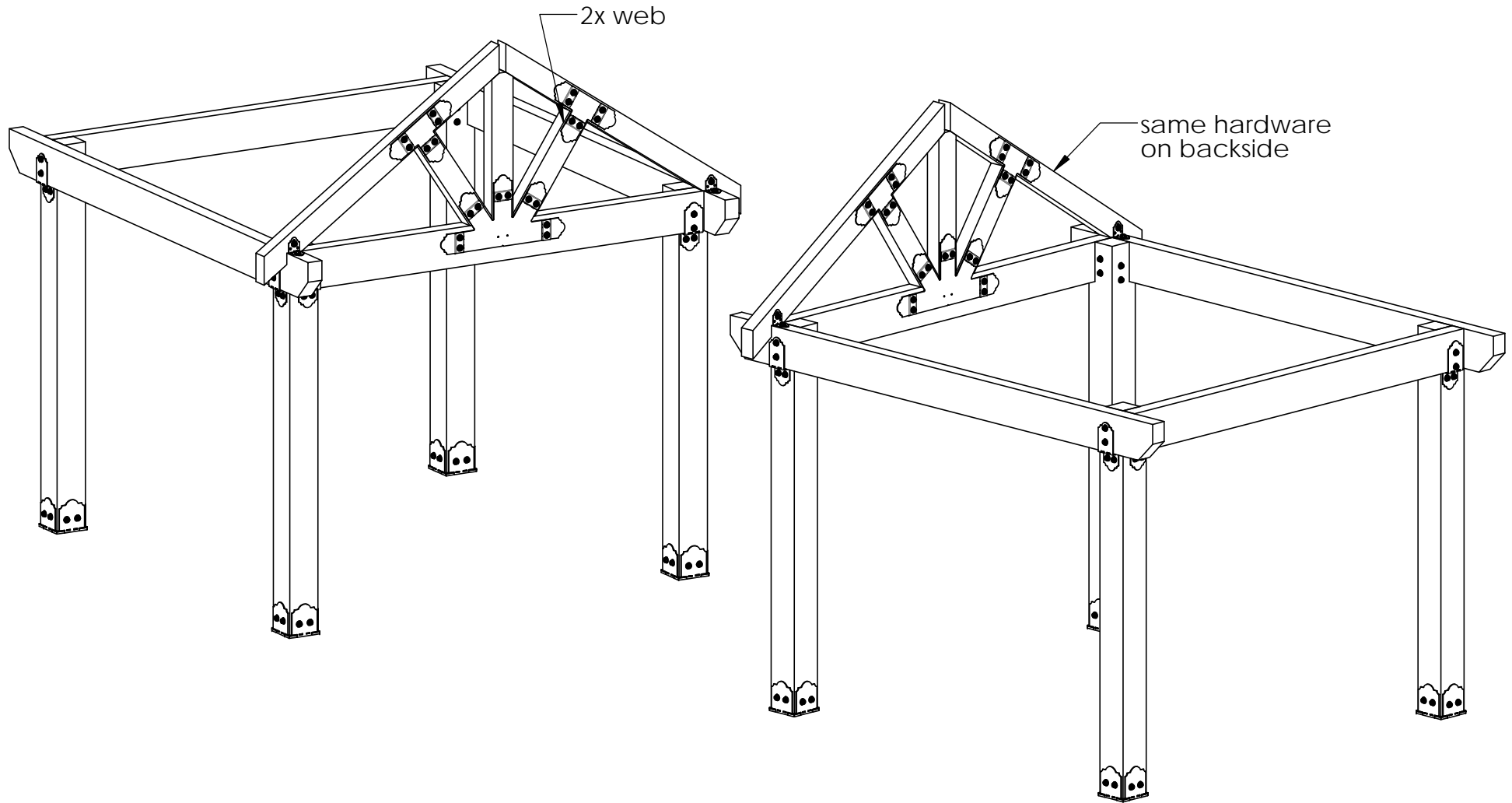
Tip:
use 2 scrap 1x6 pieces
together to set gap

2x rafter



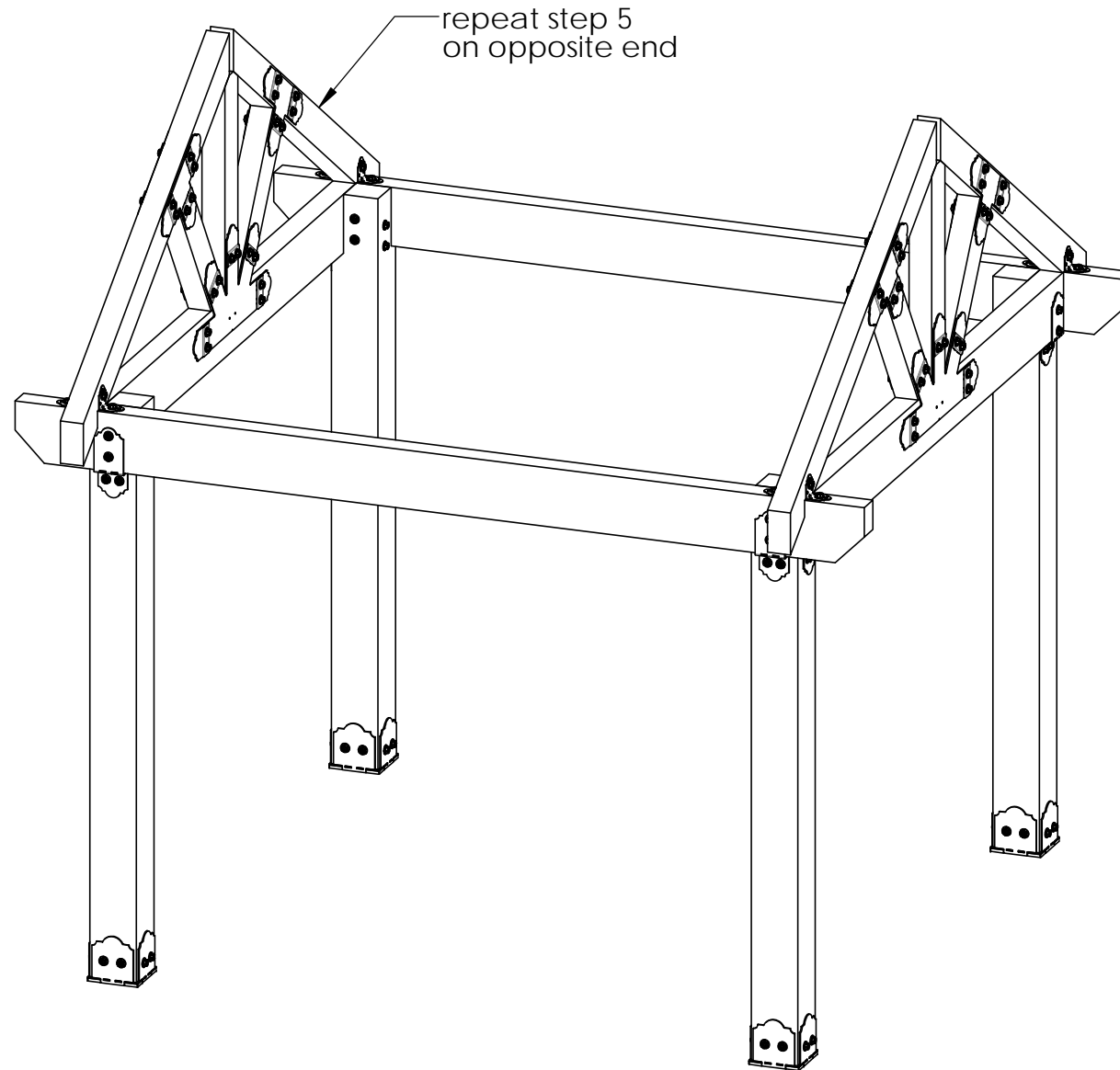
step 5b

Project 210 Wood Post & Beam Pavilion - Free Standing



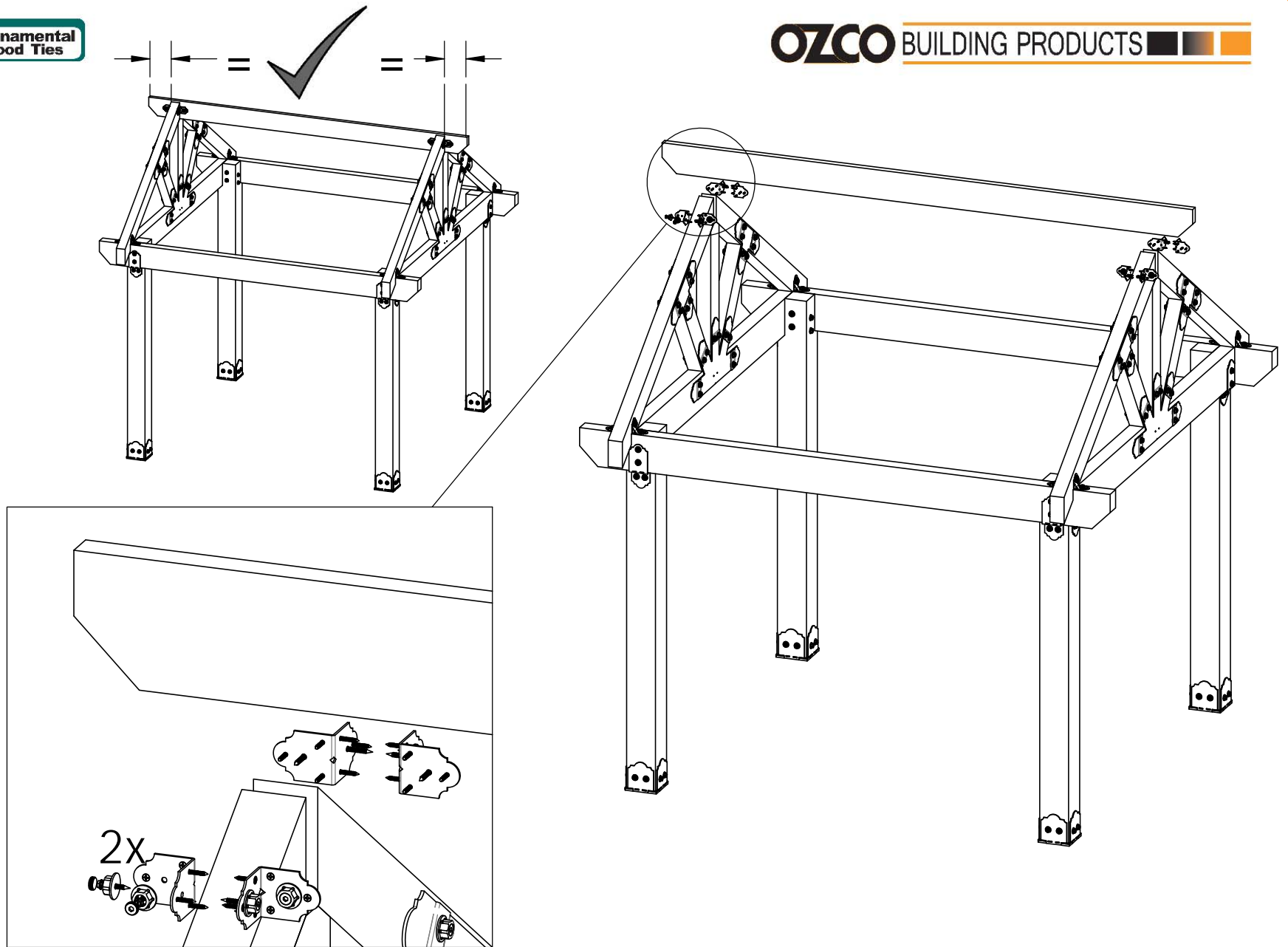
step 5c

Project 210 Wood Post & Beam Pavilion - Free Standing



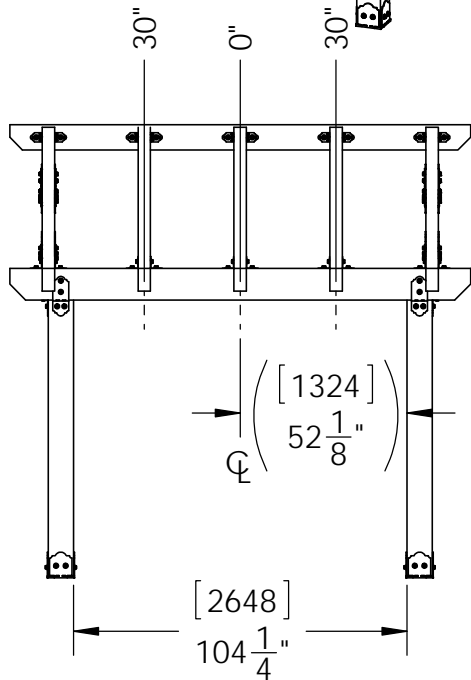
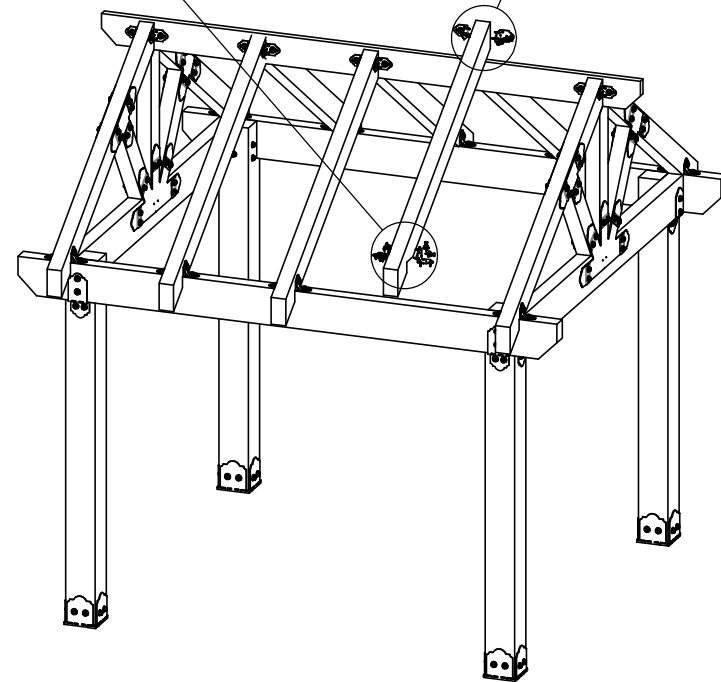
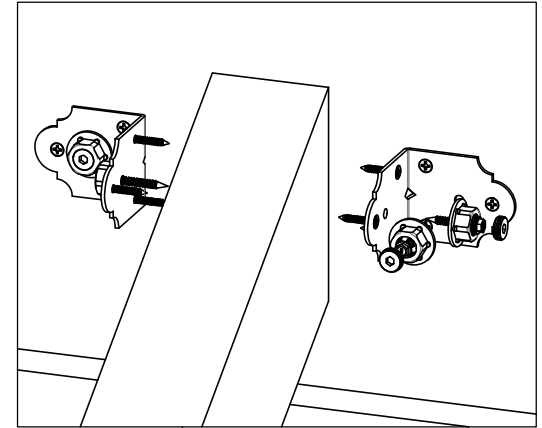
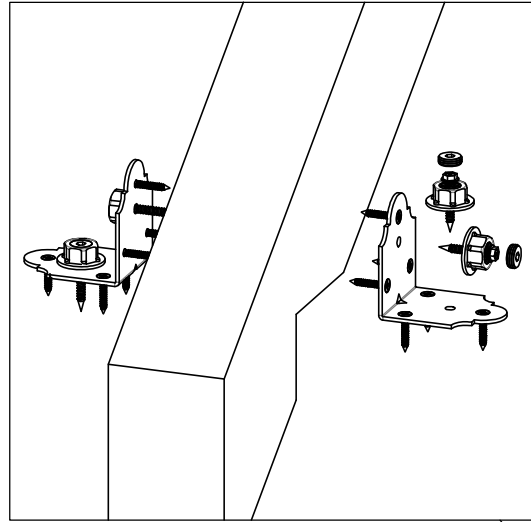
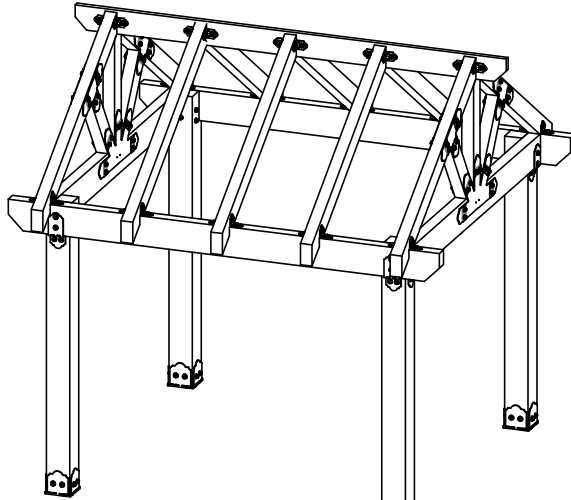
step 6

Project 210 Wood Post & Beam Pavilion - Free Standing



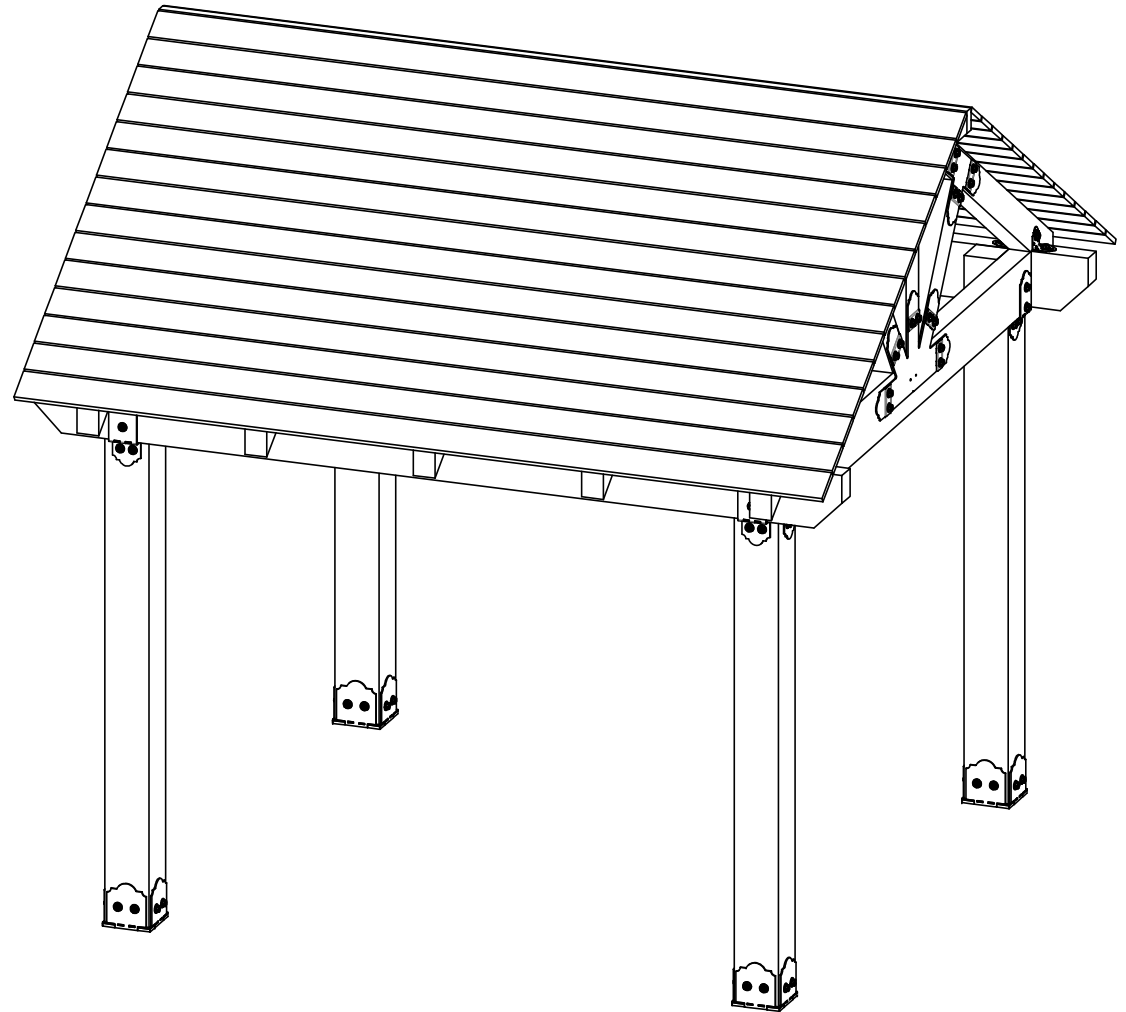
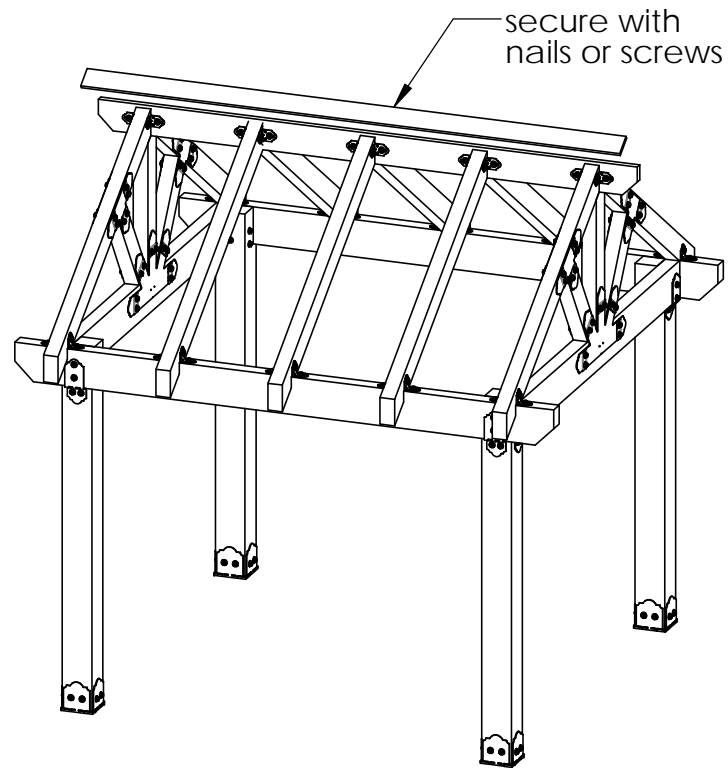
step 7

Project 210 Wood Post & Beam Pavilion - Free Standing



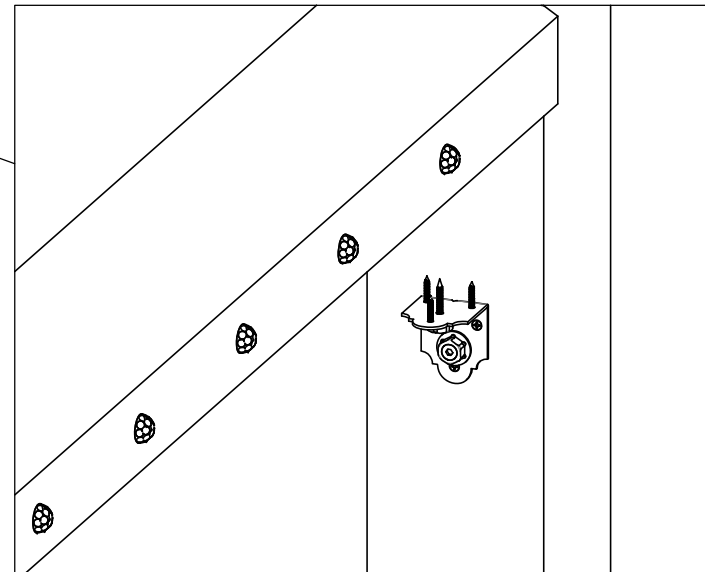
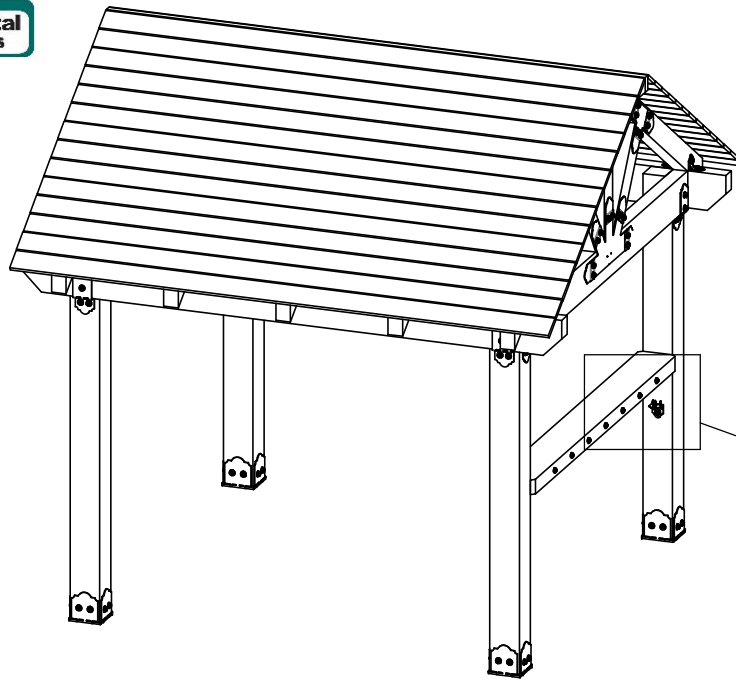
step 8

Project 210 Wood Post & Beam Pavilion - Free Standing

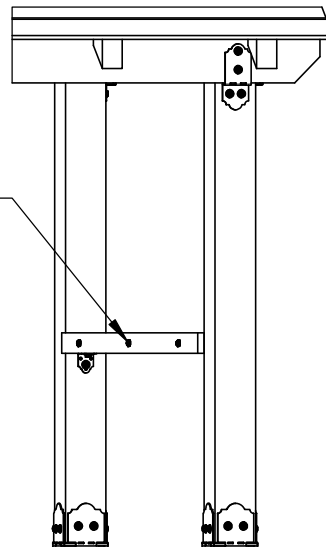


step 9

Project 210 Wood Post & Beam Pavilion - Free Standing



inside view
3 remaining
Dome Cap
Nuts



step 10

Project 210 Wood Post & Beam Pavilion - Free Standing