

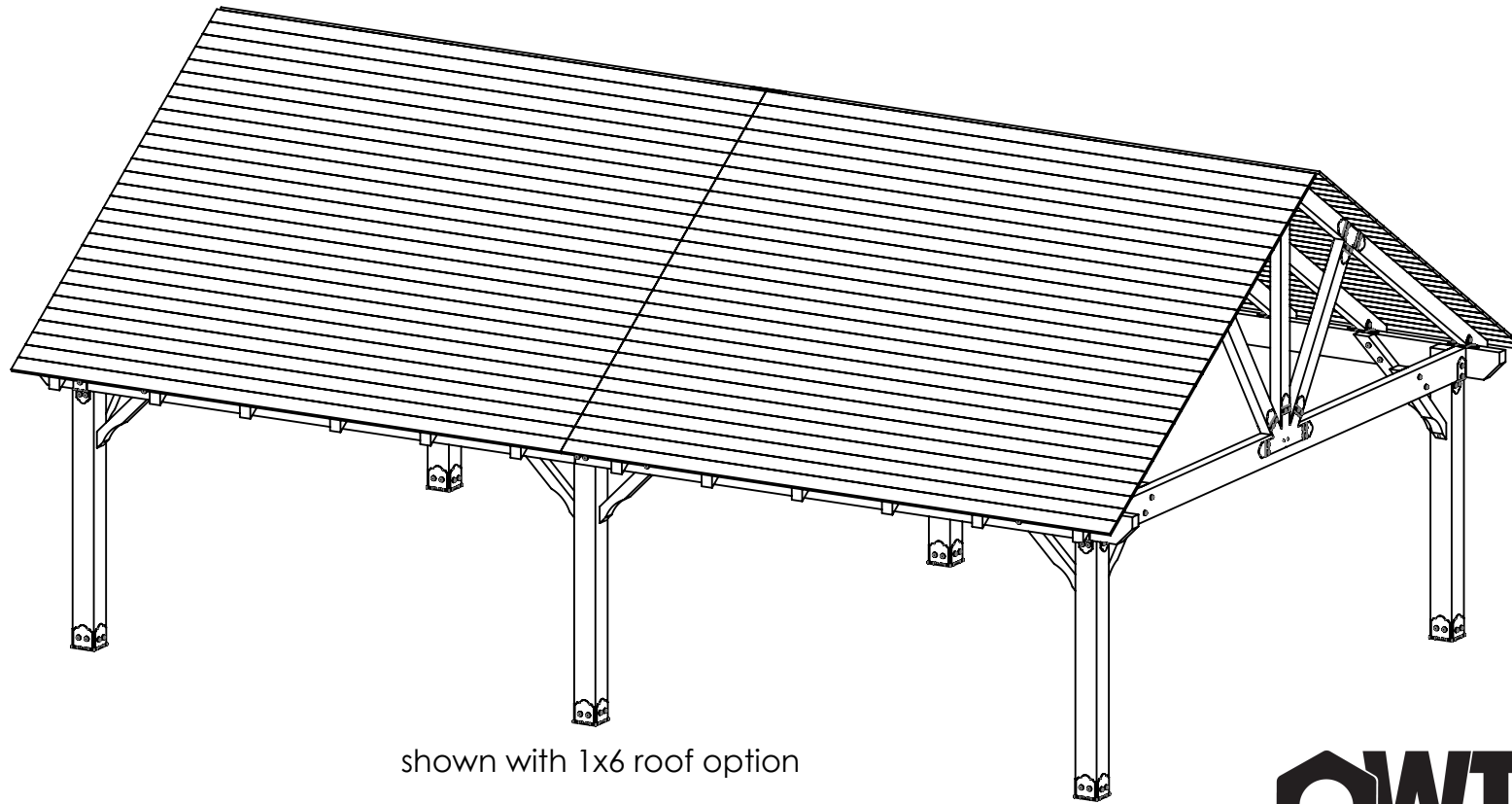
DESIGN

PURCHASE

CONSTRUCT

ENJOY

Project #210 Wood Post & Beam Pavilion (20x32) - Free Standing



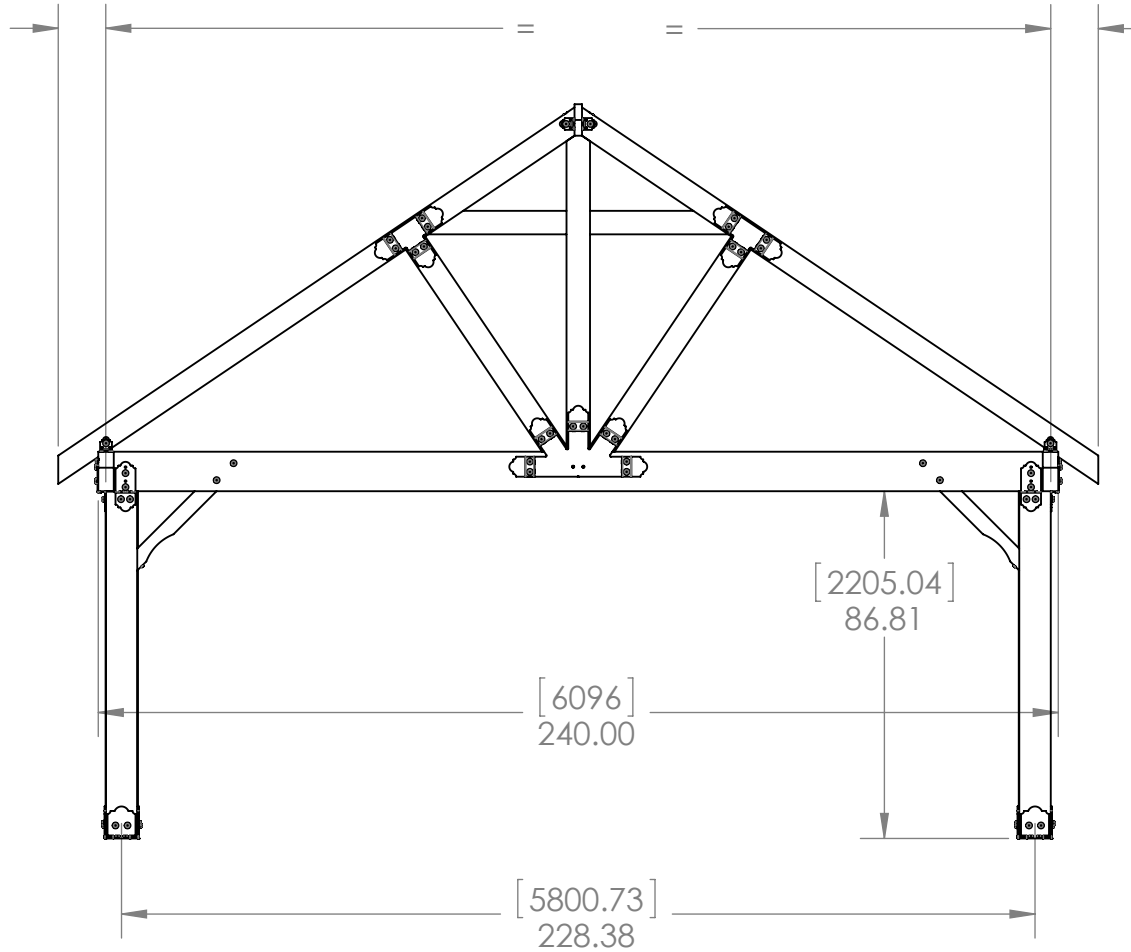
shown with 1x6 roof option



Pavilion, 20x32

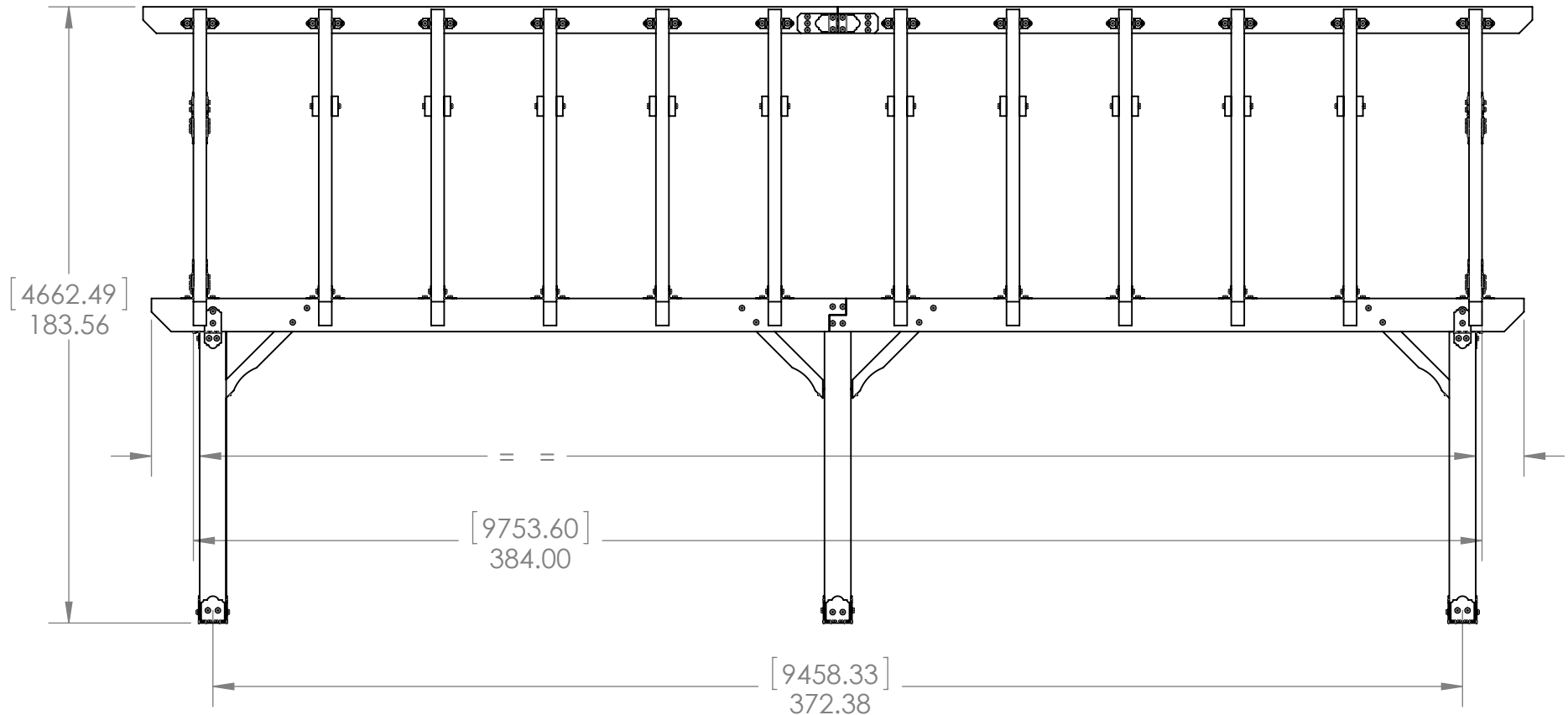
Project 223 Wood Post & Beam Pavilion (20x32) - Free Standing

V1.00 - Installation Instructions effective May 1, 2015 and reflects information that available as of April 10, 2014. This information is updated periodically and should not be relied upon after May 1, 2015. Please visit www.OZCOBP.com to get current information



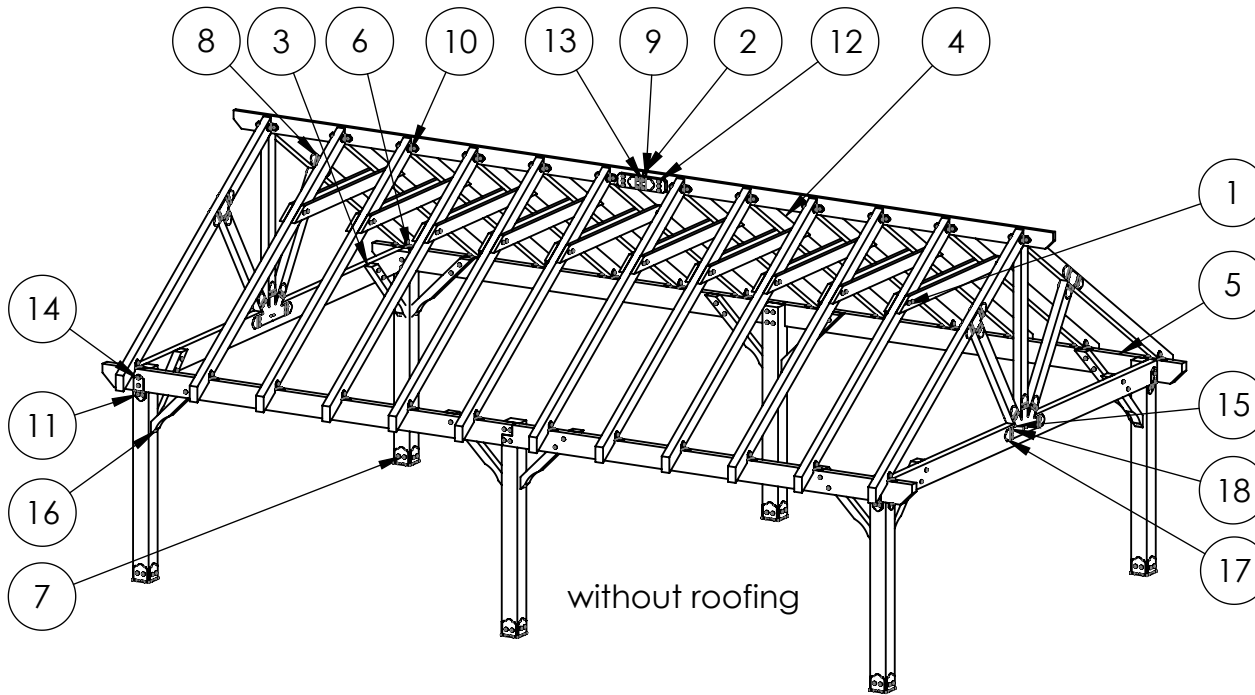
without roof

**Project 223 Wood Post & Beam Pavilion
(20x32) - Free Standing**



without roof

**Project 223 Wood Post & Beam Pavilion
(20x32) - Free Standing**

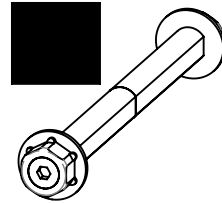


ITEM NO.	QTY.	PART NUMBER	DESCRIPTION
1	22	2x6 Cedar Board	2x6x96.00
2	2	2x8 Cedar Board	2x10x10
3	12	4x4 Cedar Post	4x4x42
4	30	4x6 Cedar Board	4x6x168.00
5	6	4x10 Cedar Board	4x10x207.00
6	6	8x8 Cedar Post	8x8x96.00
7	6	56609	Assembly, 8x8 Post Base
8	4	56612	T Tie Plate
9	1	56613	Butt Joint Flush
10	10	56618	4" Rafter Clip
11	4	56636	Assembly, Post to Beam Bolt Offset
12	3	56649	Assembly, OWT Timber Bolt 4-6"
13	34	56650	Assembly, OWT Timber Bolt 6-8"
14	12	56651	Assembly, OWT Timber Bolt 8-10"
15	4	56619	Assembly, 8:12 Truss Base Fan w/ Truss Accent & Timber Screw
16	1	56629	OWT Timber Screw 7-1/2"
17	24	56611	Truss Accent
18	4	56625	OWT Timber Screw 1-3/4"

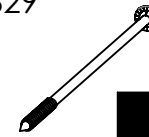
Bill of Material

Project 223 Wood Post & Beam Pavilion (20x32) - Free Standing

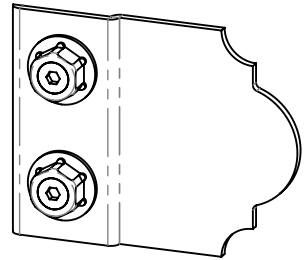
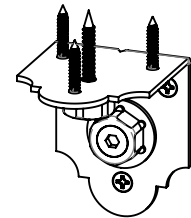
Assembly, OWT Timber Bolt 8-10" 56651



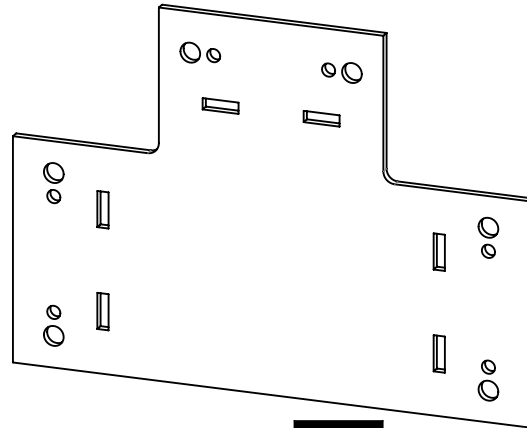
Screw, OWT 7-1/2" (190mm) Timber 56629



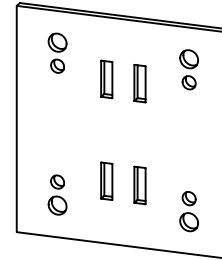
4" Rafter Clip 56618



Truss Accent Assembly 56611



'T' Tie Plate 56612

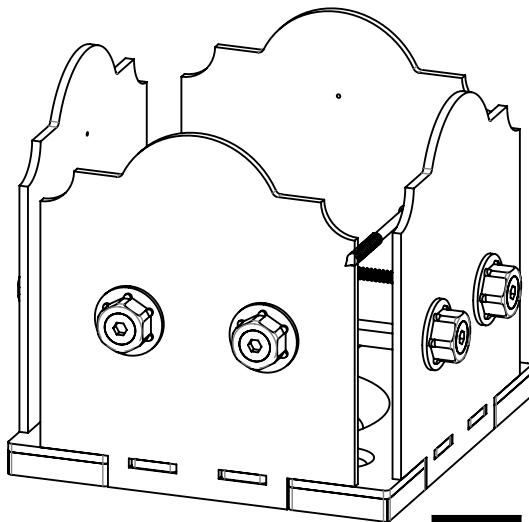
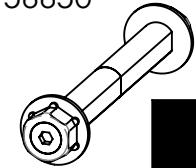


Butt Joint Flush 56613

Screw, OWT 1-3/4" (45mm) Timber 56625

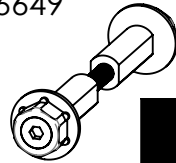


Assembly, OWT Timber Bolt 6-8" 56650

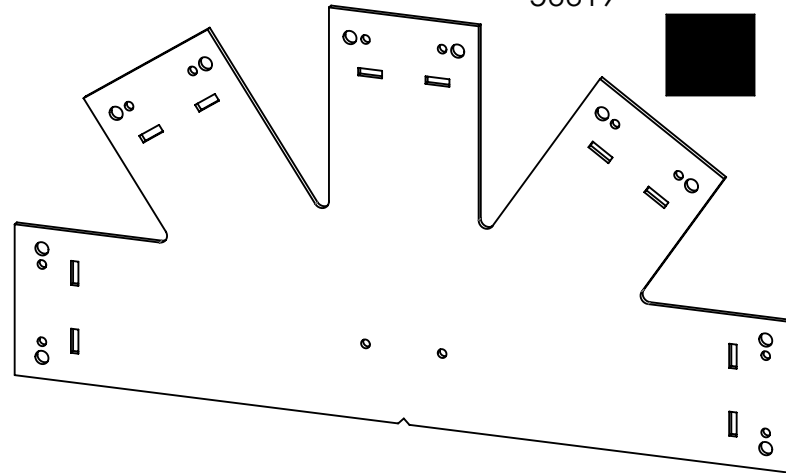


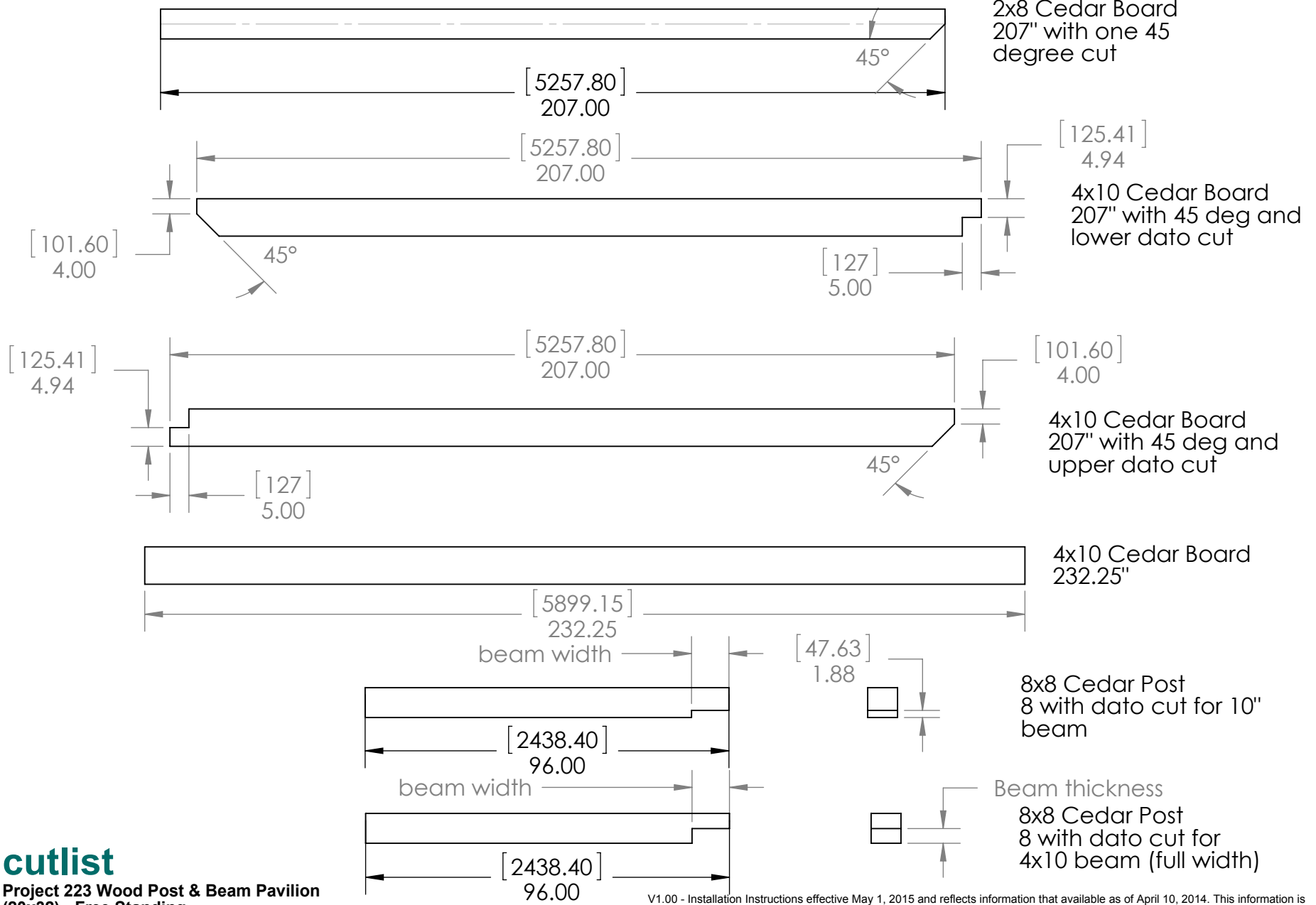
Assembly, 8x8 Post Base 56609

Assembly, OWT Timber Bolt 4-6" 56649



8:12 Truss Base Fan 56619

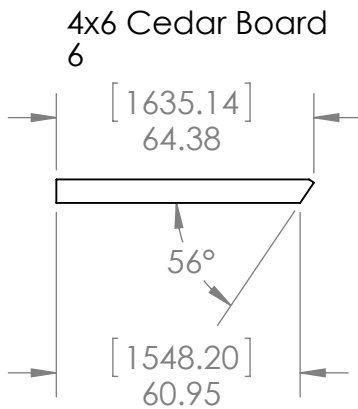
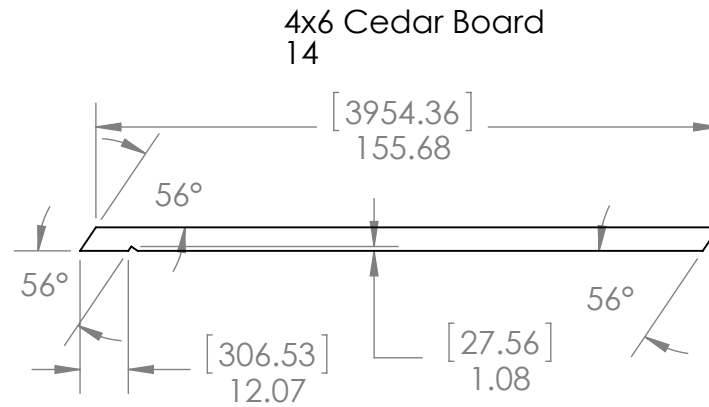
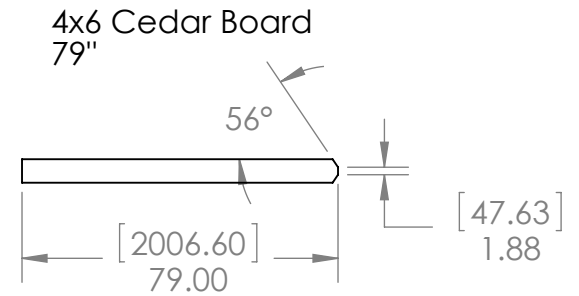
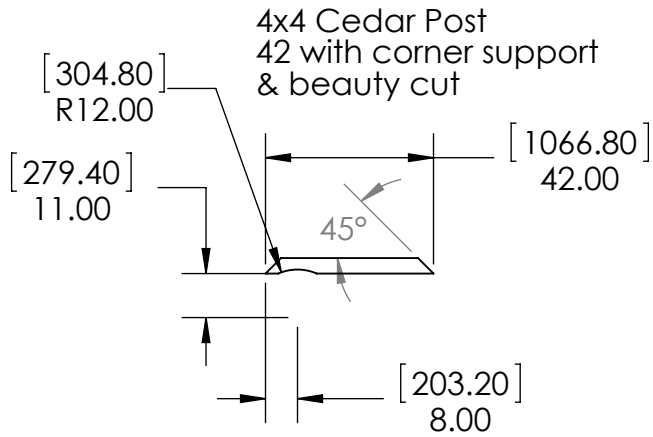




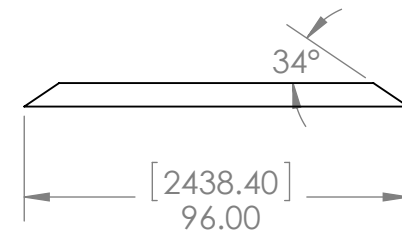
cutlist

Project 223 Wood Post & Beam Pavilion
(20x32) - Free Standing

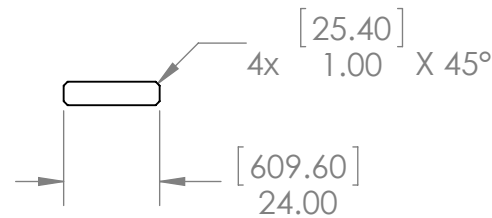
V1.00 - Installation Instructions effective May 1, 2015 and reflects information that available as of April 10, 2014. This information is updated periodically and should not be relied upon after May 1, 2015. Please visit www.OZCOBP.com to get current information



2x6 Cedar Board
8



2x6 Cedar Board
2 scab support with
chamfers



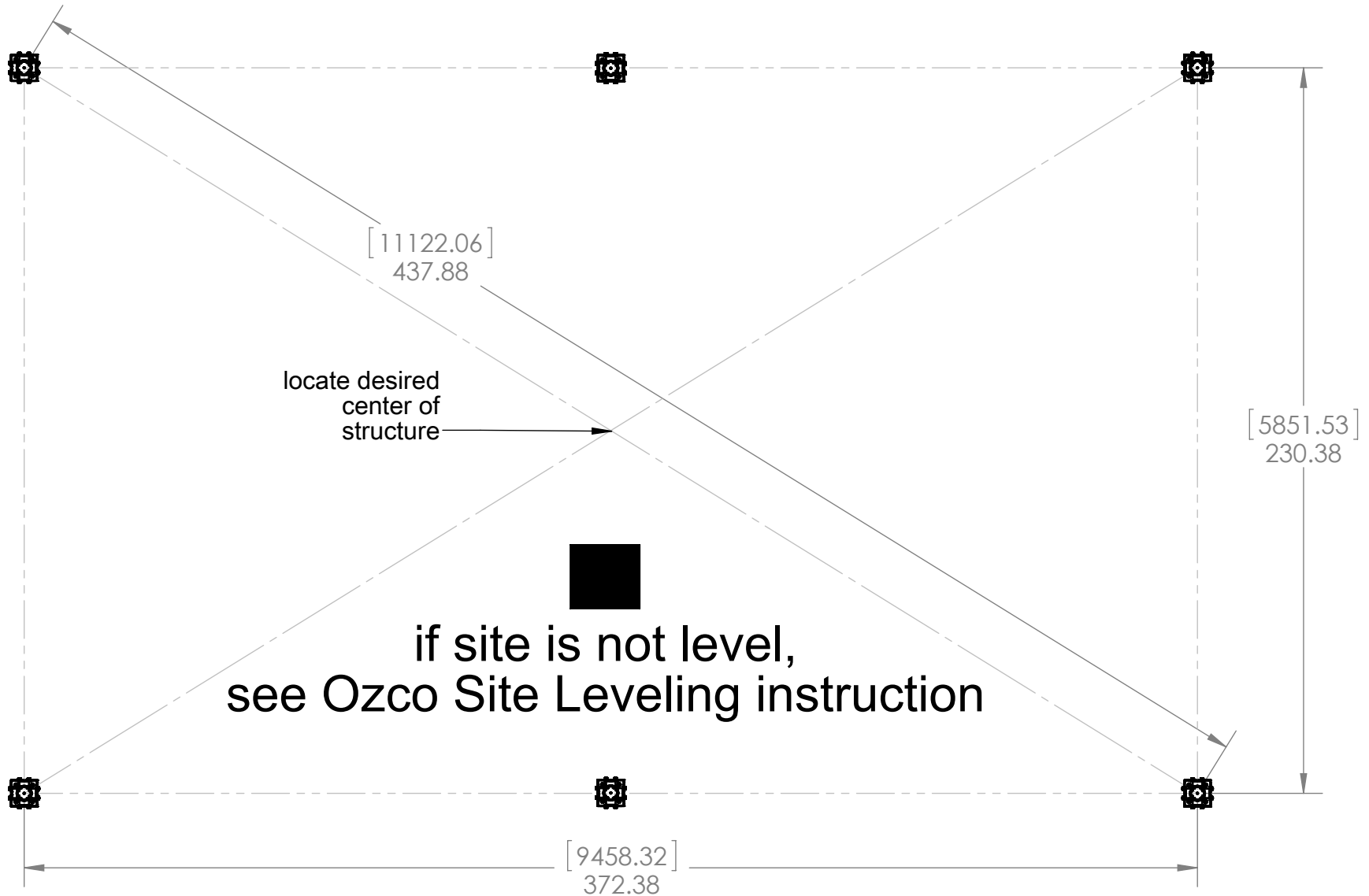
cutlist

Project 223 Wood Post & Beam Pavilion
(20x32) - Free Standing



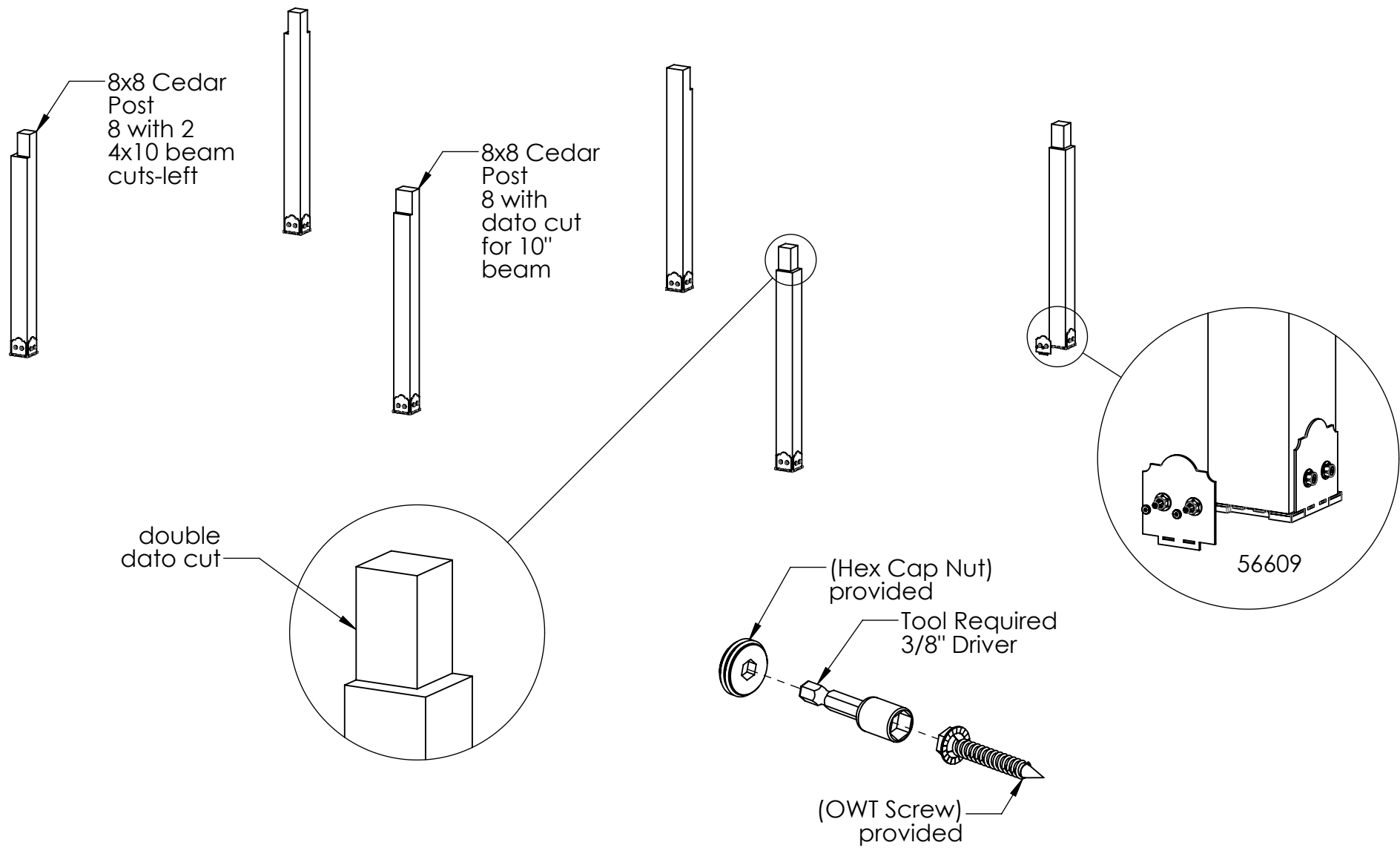
Suggested Tools
(others may be required)

**Project 223 Wood Post & Beam Pavilion
(20x32) - Free Standing**



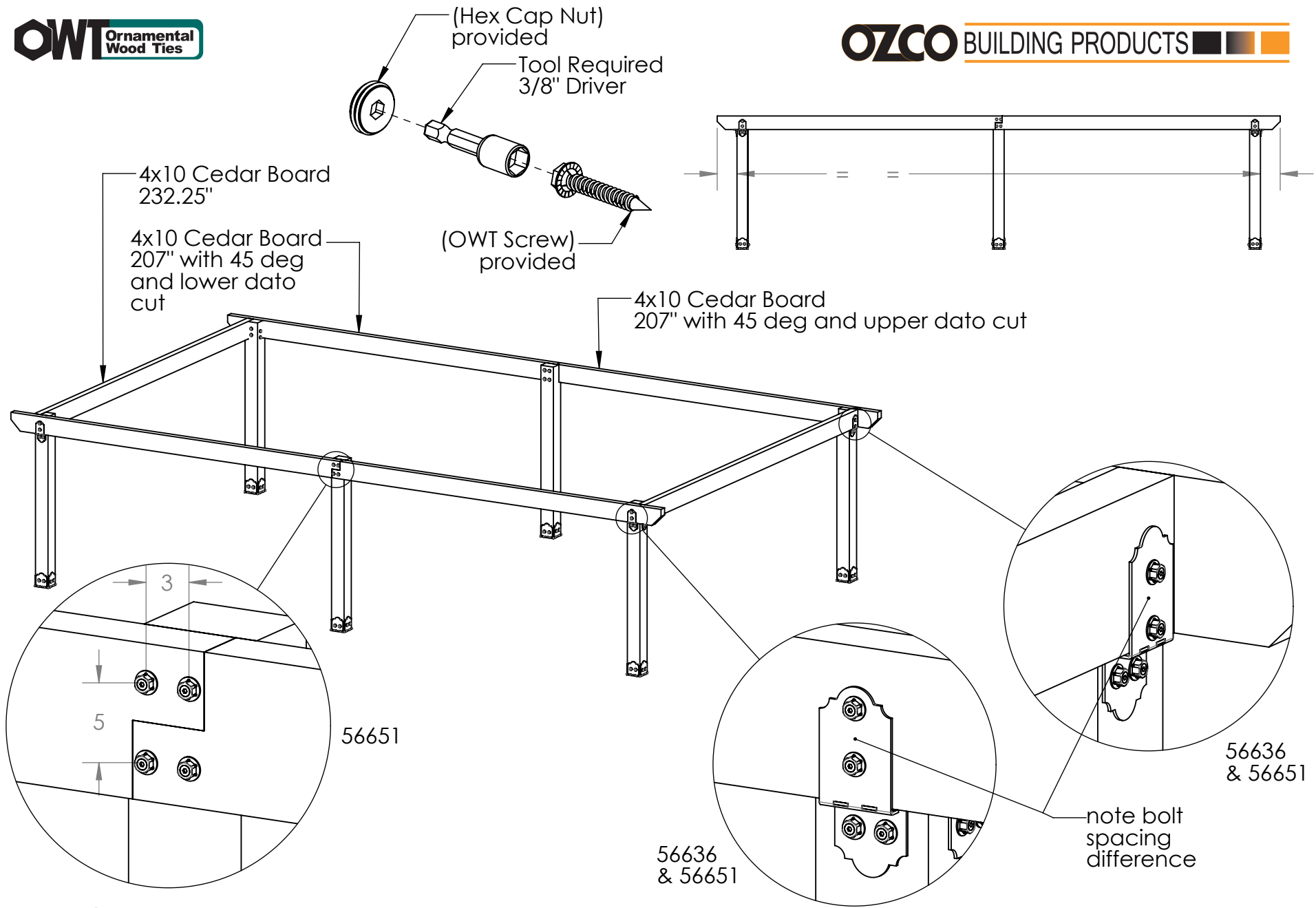
site

**Project 223 Wood Post & Beam Pavilion
(20x32) - Free Standing**



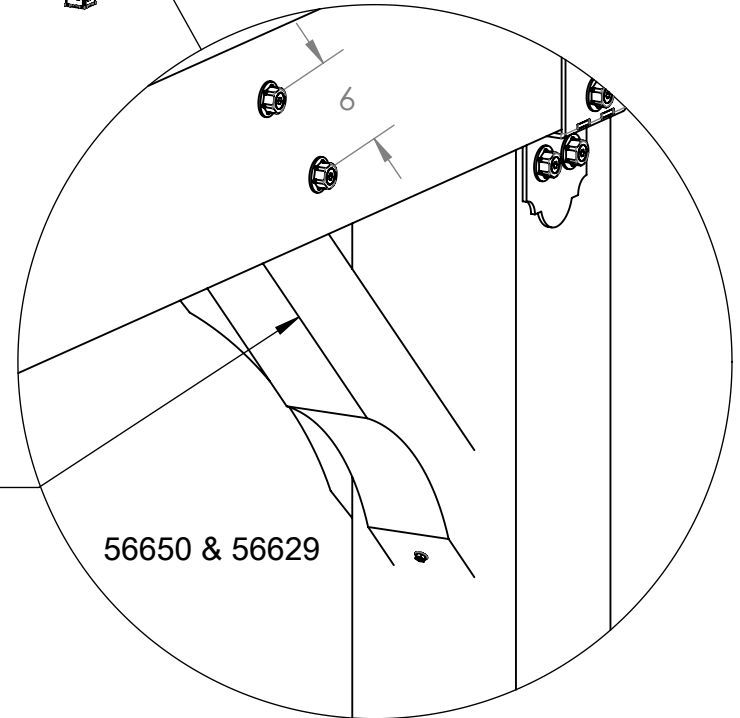
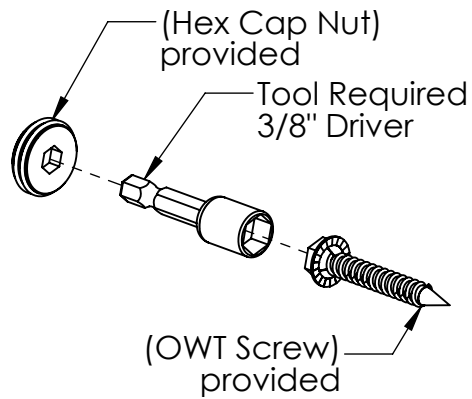
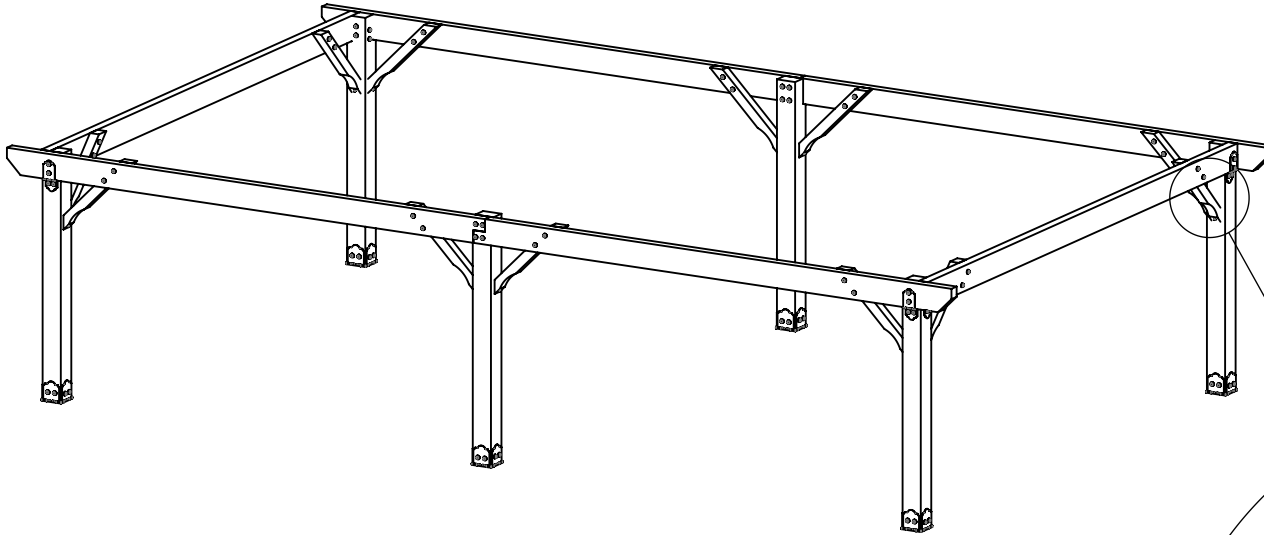
step 1

Project 223 Wood Post & Beam Pavilion
(20x32) - Free Standing



step 2

Project 223 Wood Post & Beam Pavilion
(20x32) - Free Standing



4x4 Cedar Post
42 with corner support & beauty cut

56650 & 56629

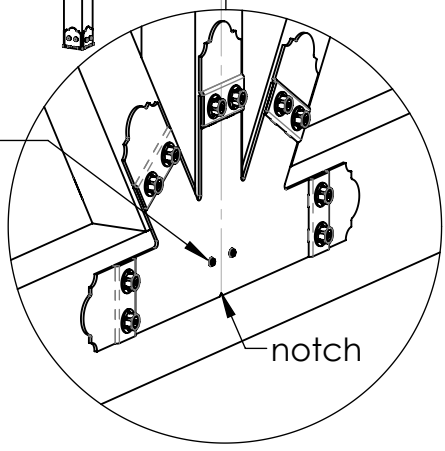
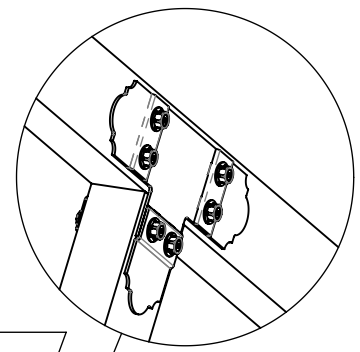
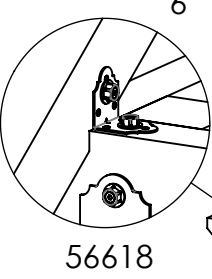
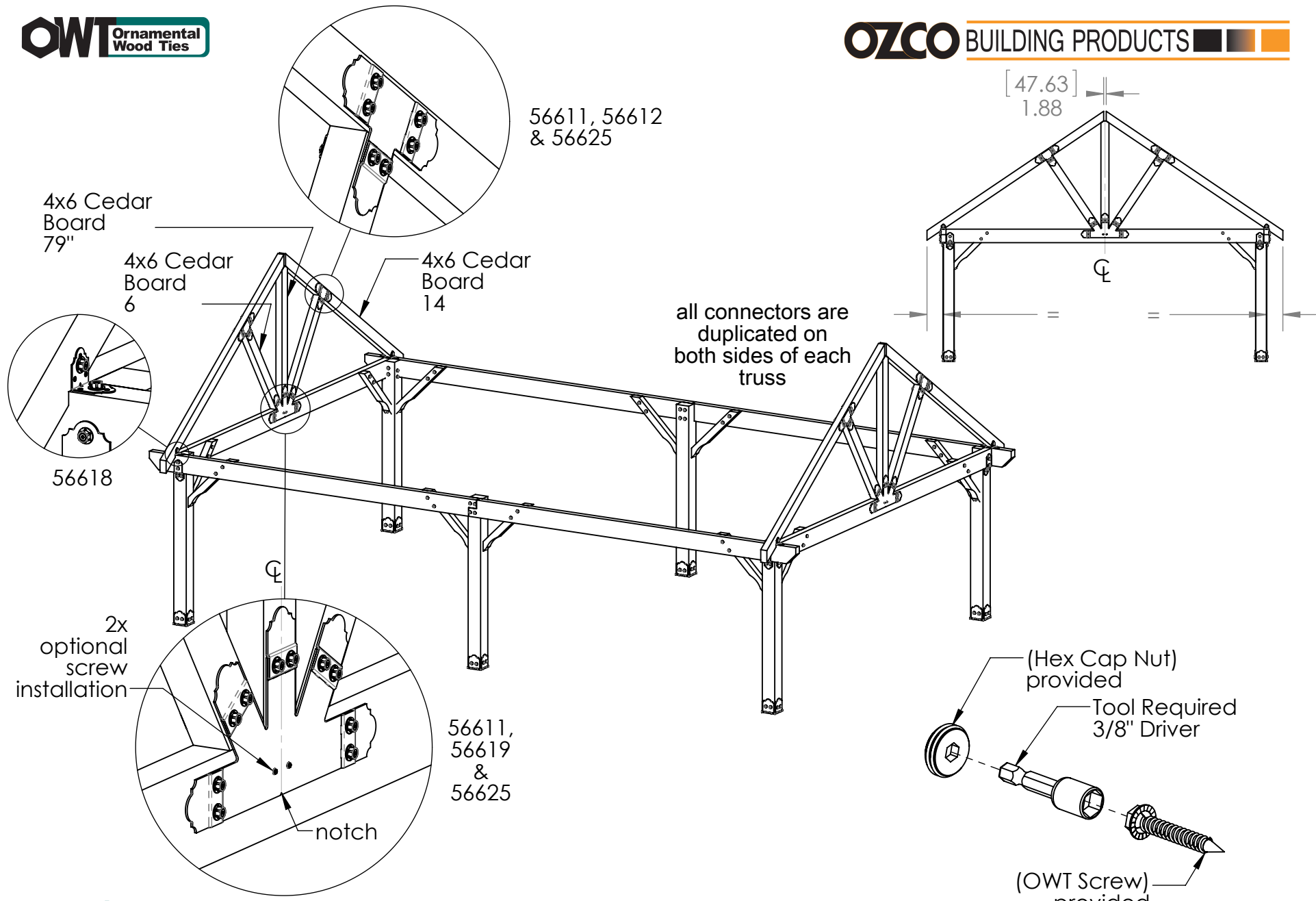
braces repeat 2x on each post
12 total

step 3

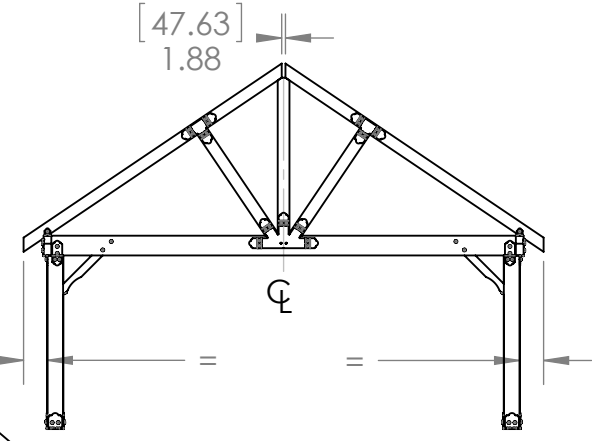
Project 223 Wood Post & Beam Pavilion
(20x32) - Free Standing

56611, 56612 & 56625

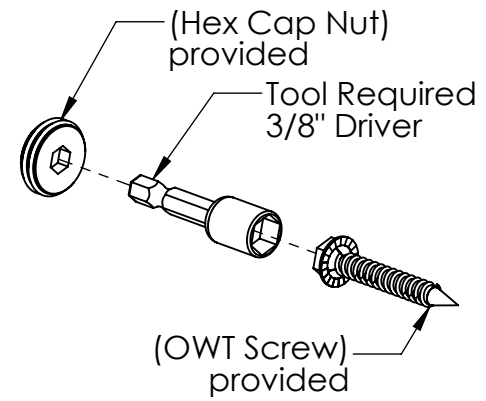
[47.63]
1.88



56611, 56619 & 56625



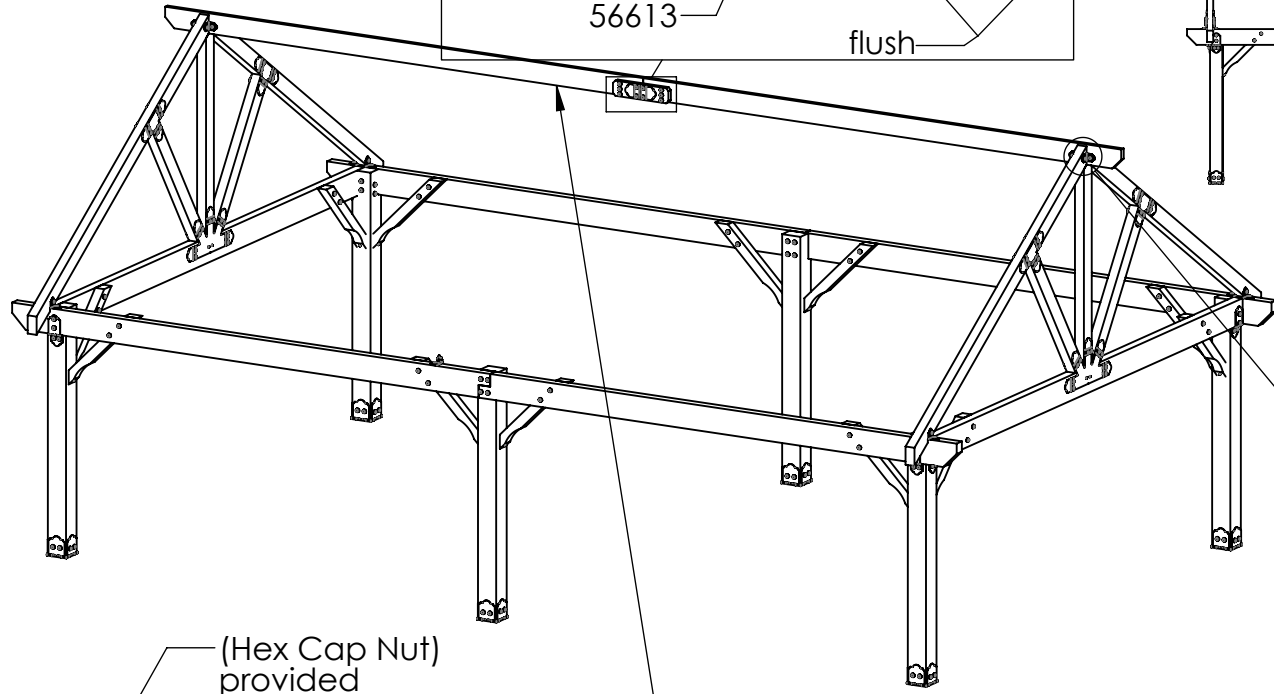
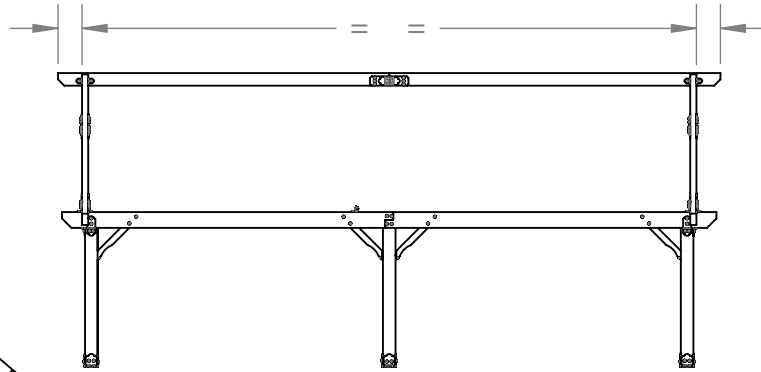
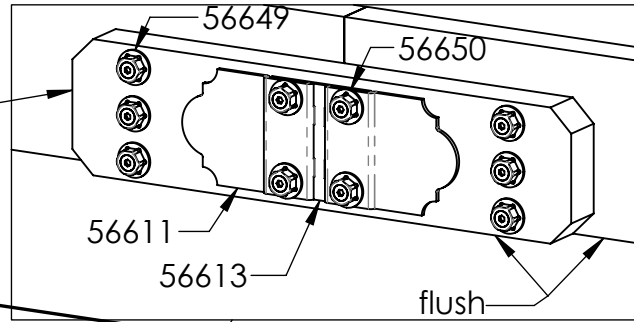
all connectors are duplicated on both sides of each truss



step 4

Project 223 Wood Post & Beam Pavilion (20x32) - Free Standing

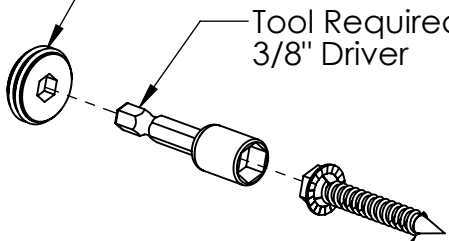
2x6 Cedar Board
2 scab support
with chamfers



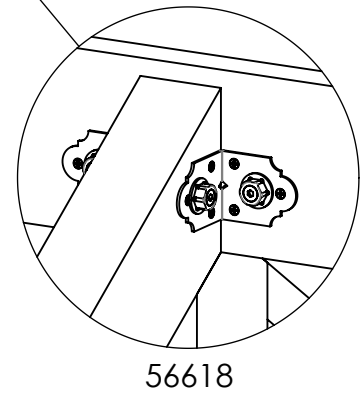
(Hex Cap Nut)
provided

Tool Required
3/8" Driver

(OWT Screw)
provided

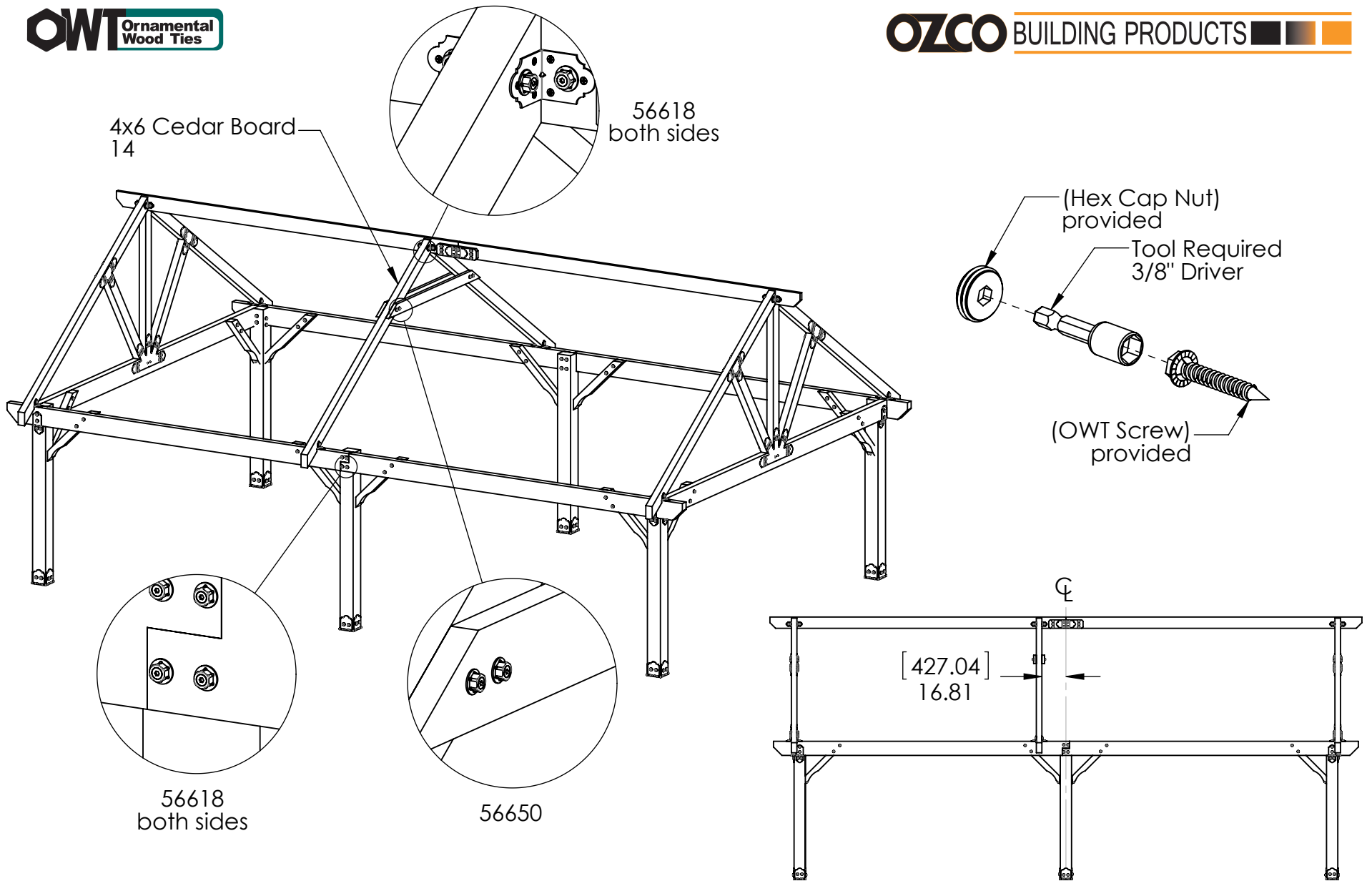


2x8 Cedar Board
207" with one 45 degree cut



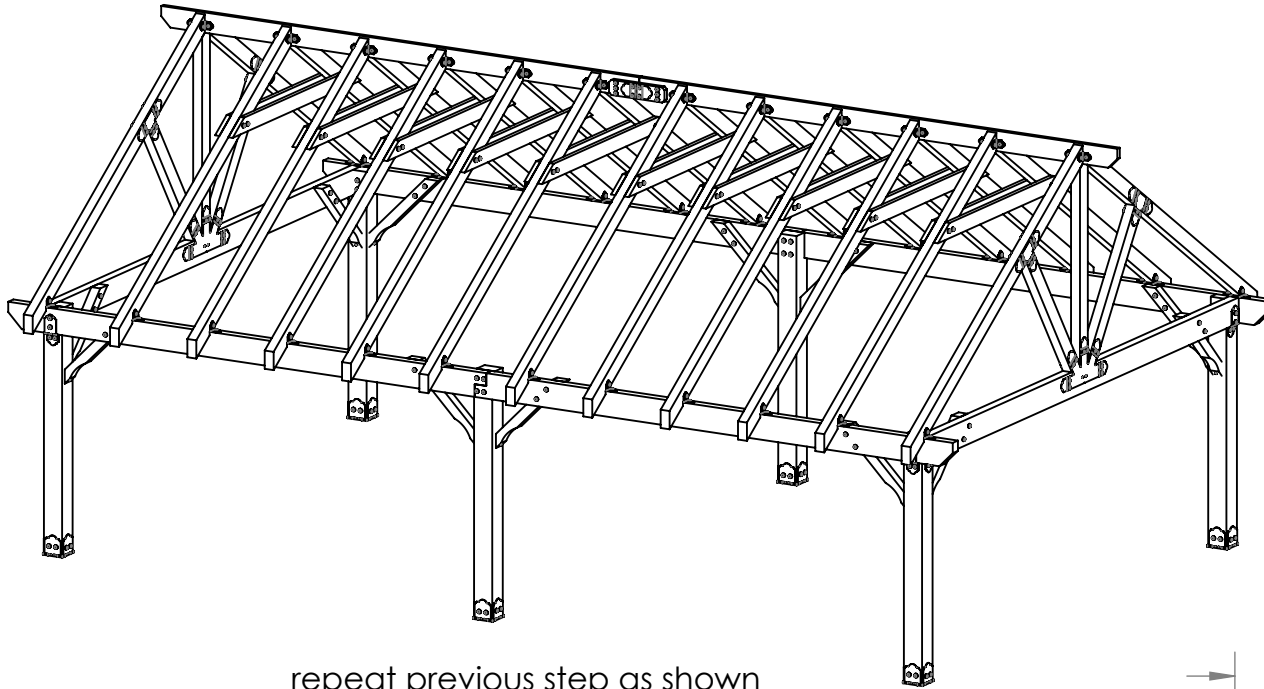
step 5

**Project 223 Wood Post & Beam Pavilion
(20x32) - Free Standing**

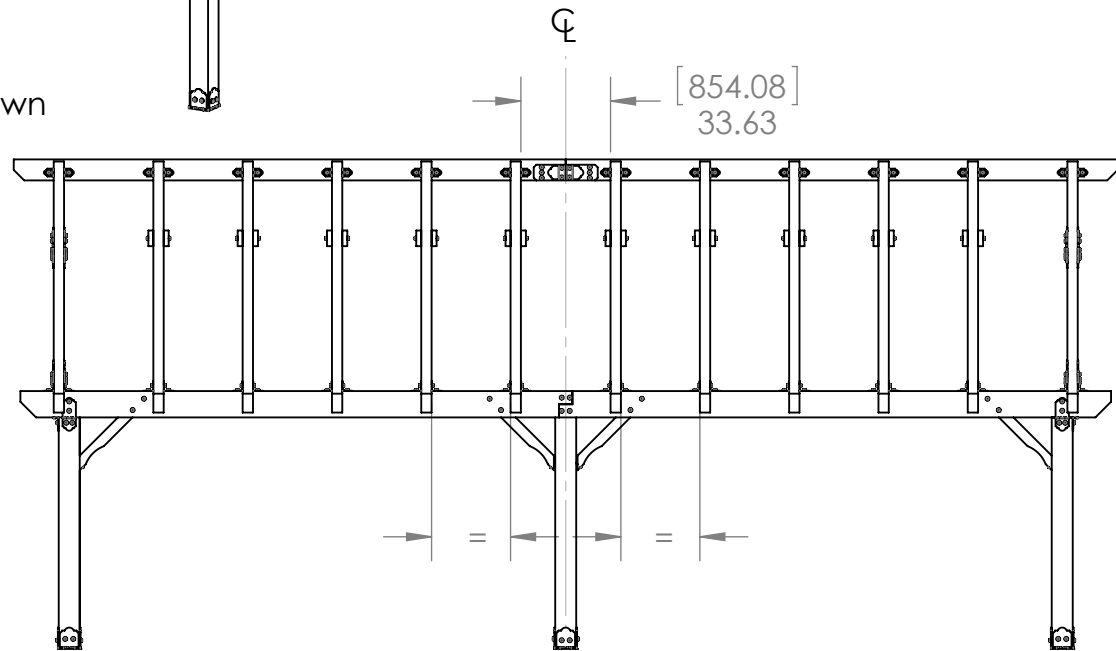


step 6

Project 223 Wood Post & Beam Pavilion
(20x32) - Free Standing

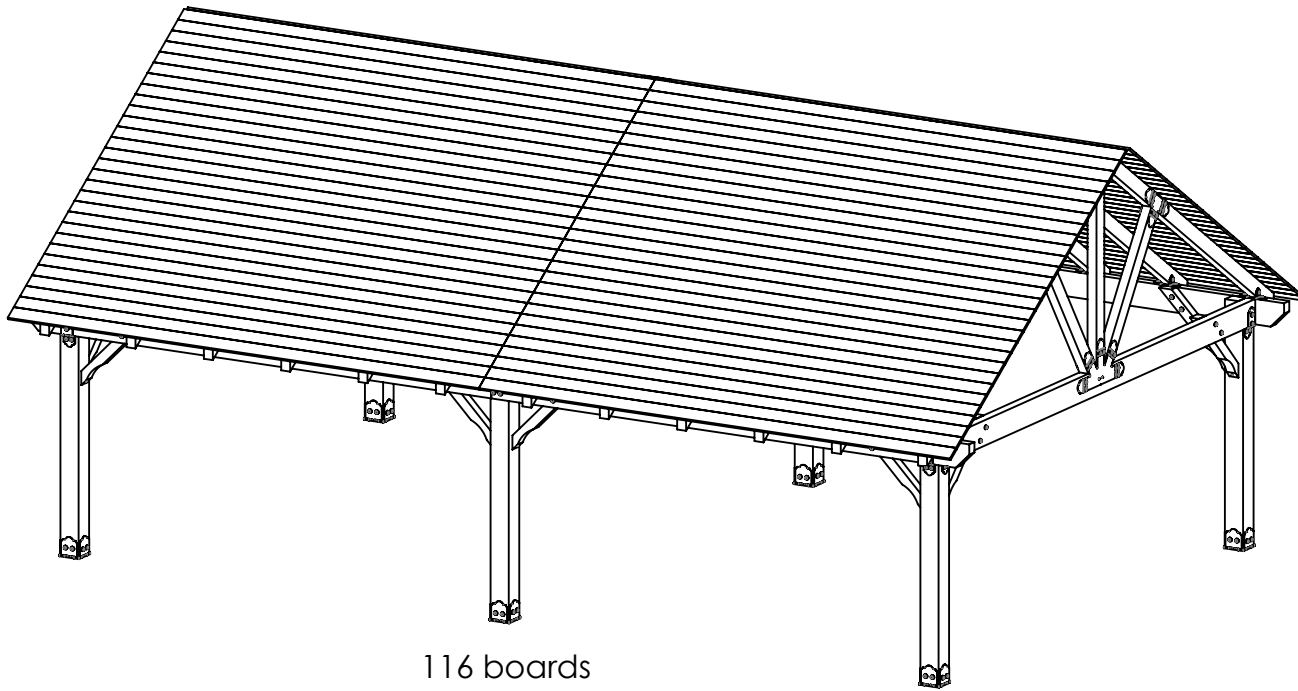


repeat previous step as shown

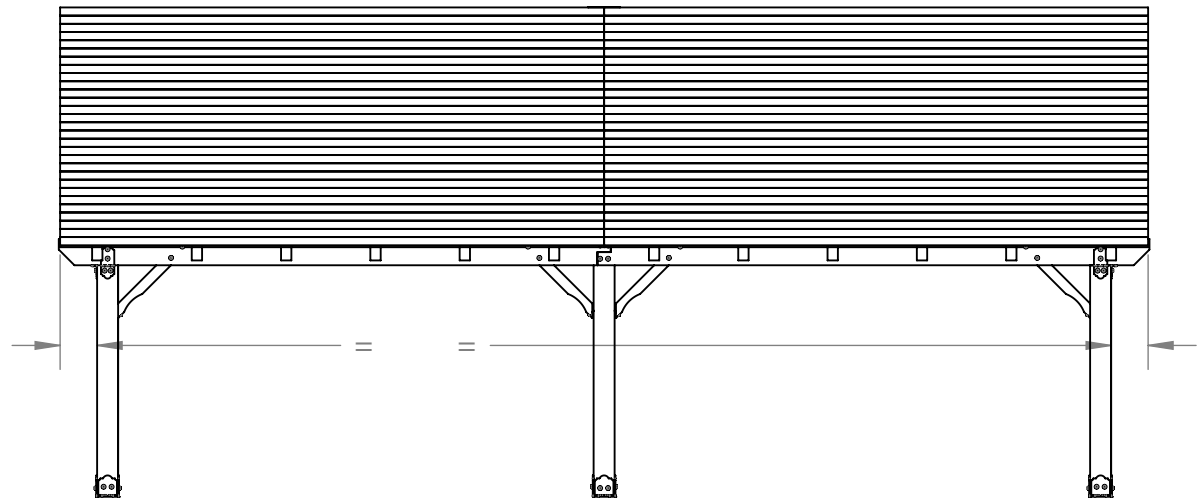


step 7

**Project 223 Wood Post & Beam Pavilion
(20x32) - Free Standing**



116 boards



roof option-1x6

Project 223 Wood Post & Beam Pavilion
(20x32) - Free Standing