

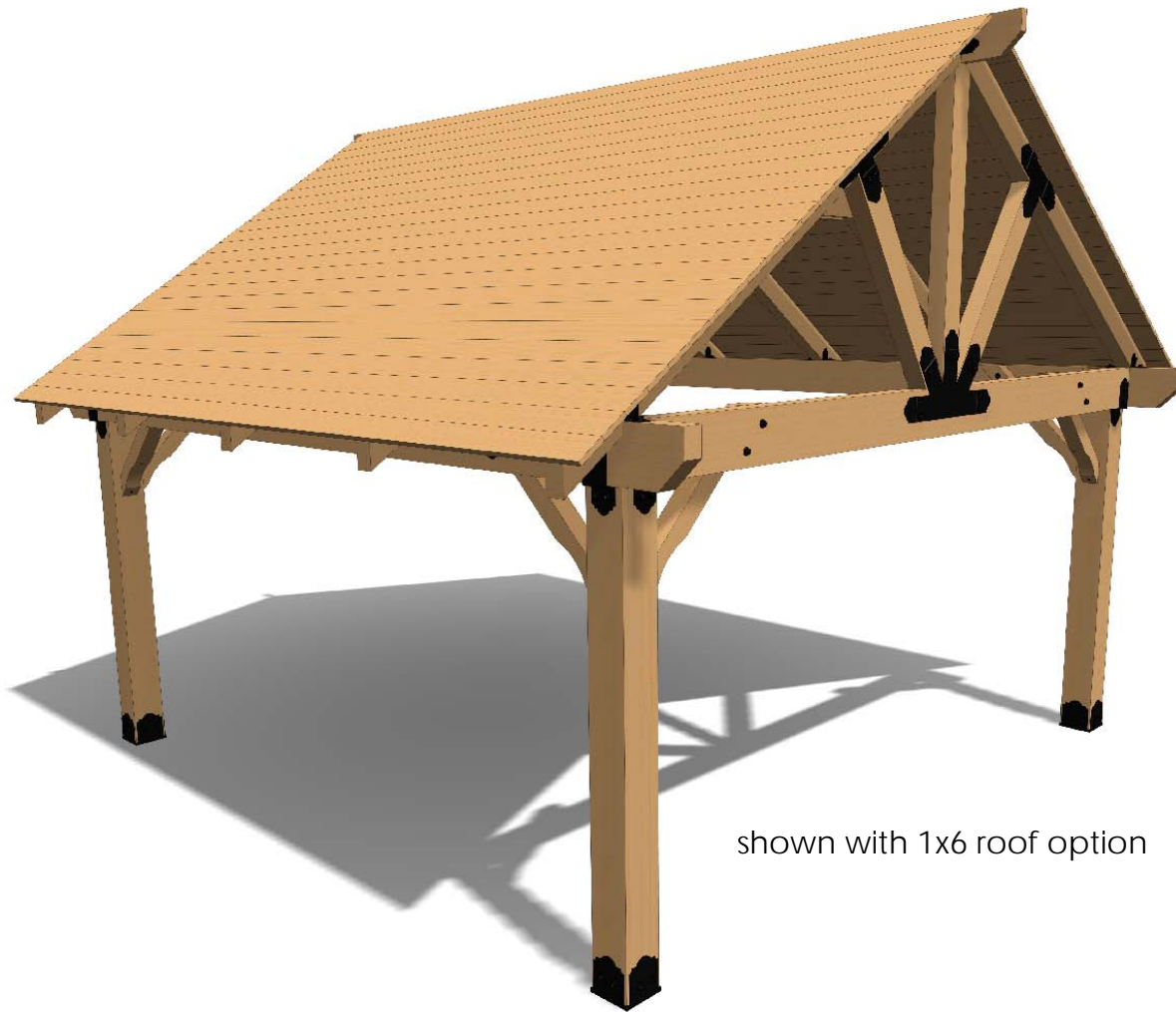
**DESIGN**

**PURCHASE**

**CONSTRUCT**

**ENJOY**

## Project 226 Wood Post & Beam Pavilion (16x16) - Free Standing



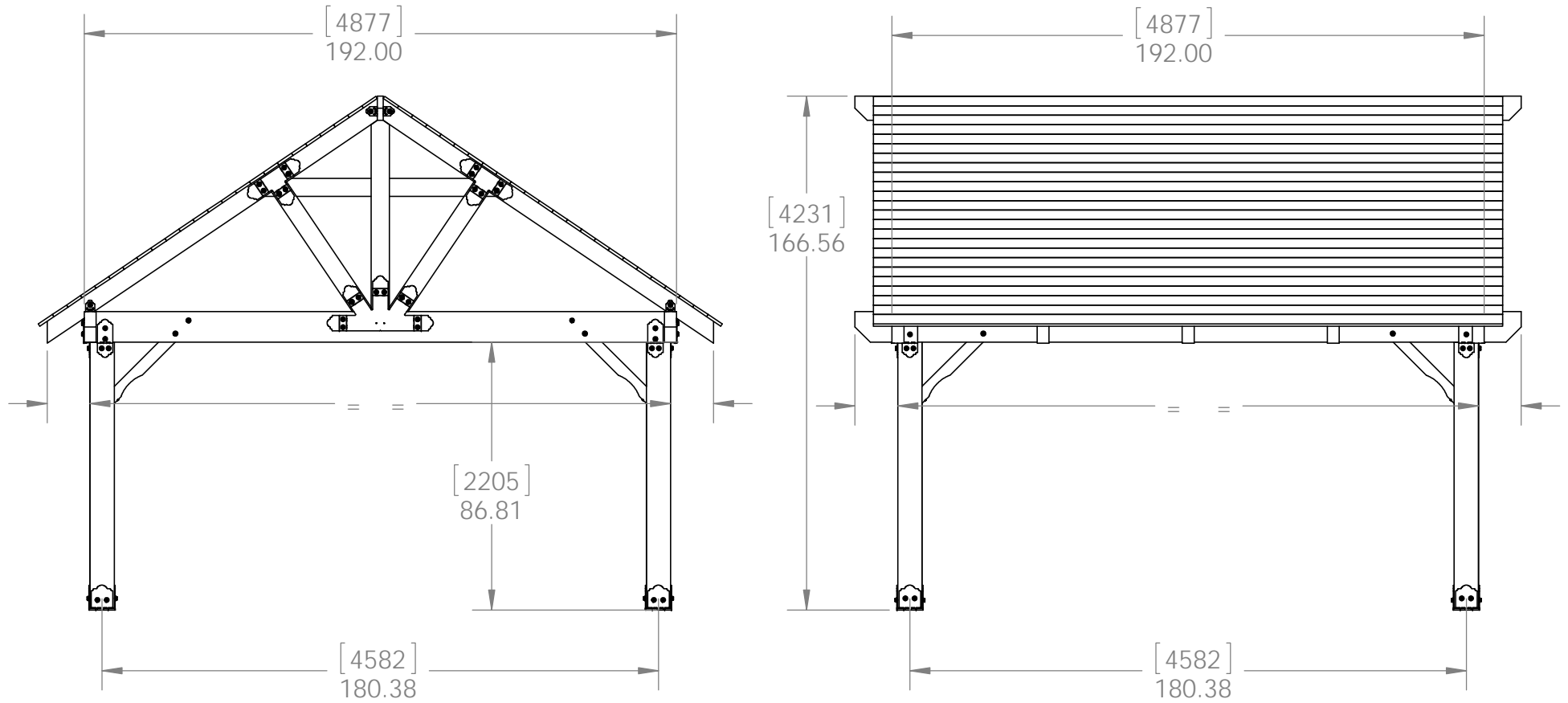
shown with 1x6 roof option

**Pavilion, 16x16**  
Project 226 Wood Post & Beam Pavilion  
(16x16) - Free Standing



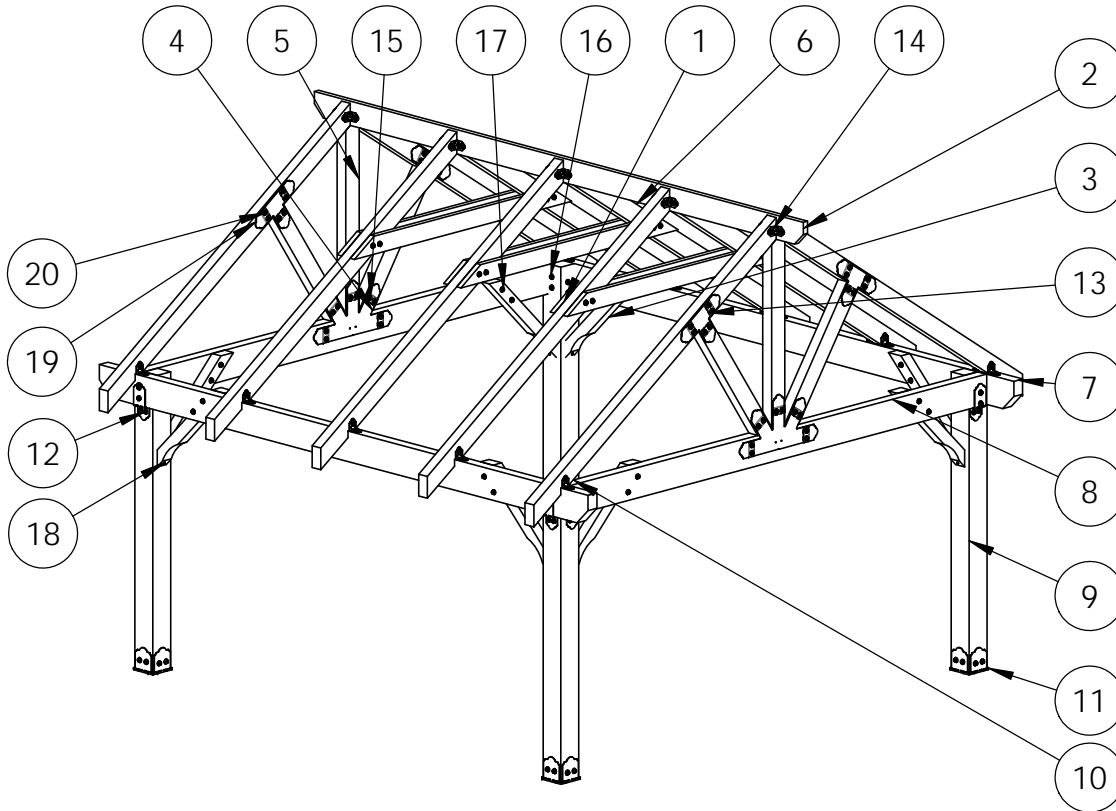
**OZCO** BUILDING PRODUCTS

V1.00 - Installation Instructions effective May 1, 2015 and reflects information that available as of April 10, 2014. This information is updated periodically and should not be relied upon after May 1, 2015. Please visit [www.OZCOBP.com](http://www.OZCOBP.com) to get current information



## Pavilion, 16x16

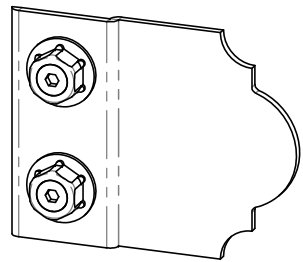
Project 226 Wood Post & Beam Pavilion  
(16x16) - Free Standing



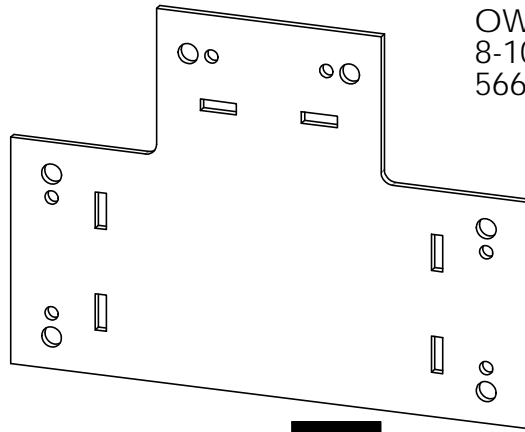
ITEM NO.	QTY.	PART NUMBER	DESCRIPTION
1	6	2x6 Cedar Board	2x6x96.00
2	1	2x8 Cedar Board	2x8x16
3	8	4x4 Cedar Post	4x4x42
4	4	4x6 Cedar Board	4x6x60.00
5	2	4x6 Cedar Board	4x6x62.00
6	10	4x6 Cedar Board	4x6x168.00
7	2	4x10 Cedar Board	4x10x216.00
8	2	4x10 Cedar Board	4x10x184.25
9	2	8x8 Cedar Post	8x8x96.00
10	2	8x8 Cedar Post	8x8x96.00
11	4	56609	Assembly, 8x8 Post Base
12	4	56636	Assembly, Post to Beam Bolt Offset
13	4	56612	T Tie Plate
14	4	56618	4" Standard Rafter Clip
15	4	56619	Truss Base Fan 8:12
16	8	56651	OWT Timber Bolt 8-10"
17	14	56650	OWT Timber Bolt 6-8"
18	1	56629	OWT Timber Screw 7-1/2"
19	22	56611	Truss Accent
20	4	56625	Screw, OWT 1-3/4" (45mm) Timber

## Bill of Material

Project 226 Wood Post & Beam Pavilion  
(16x16) - Free Standing

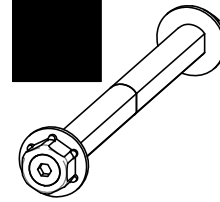


Truss Accent Assembly  
56611



"T" Tie Plate  
56612

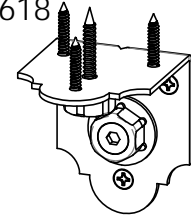
OWT Timber Bolt  
8-10"  
56651



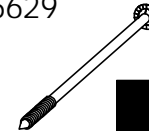
Screw, OWT 1-3/4"  
(45mm) Timber  
56625



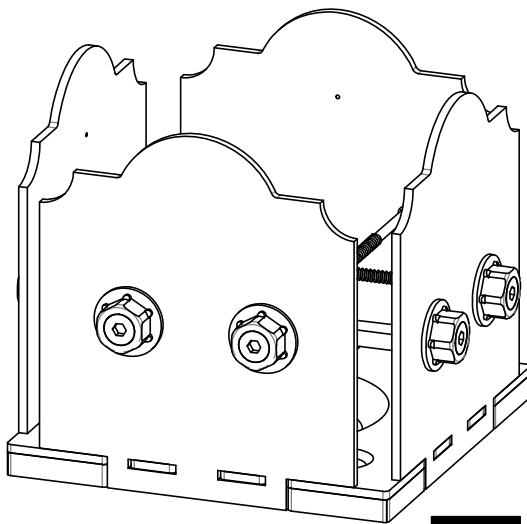
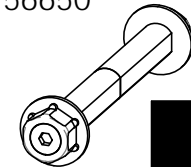
4" Standard Ra  
Clip  
56618



Screw, OWT 7-1/2"  
(190mm) Timber  
56629

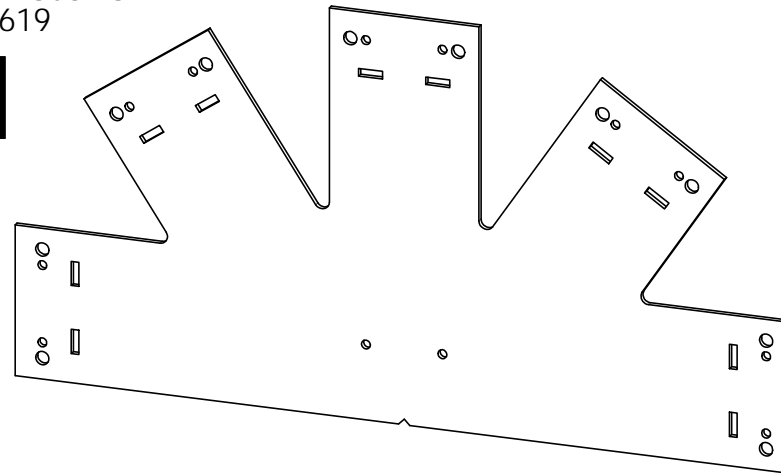


OWT Timber Bolt  
6-8"  
56650

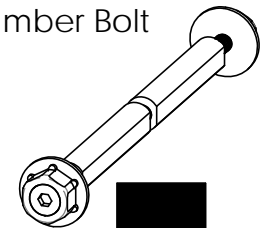


Assembly, 8x8 Post Base  
56609

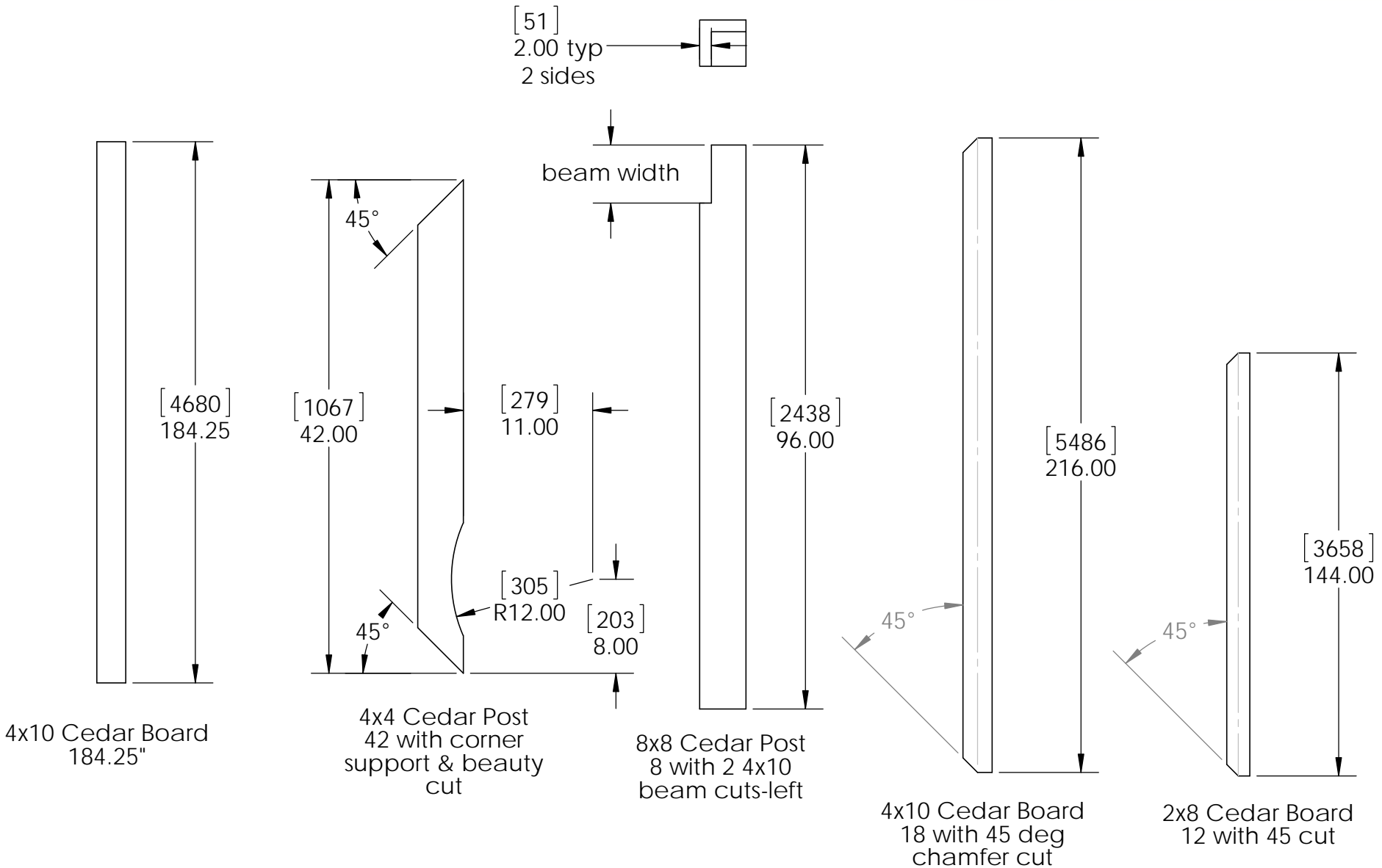
8:12 Truss Base Fan  
56619



OWT Timber Bolt  
8-10"  
56651

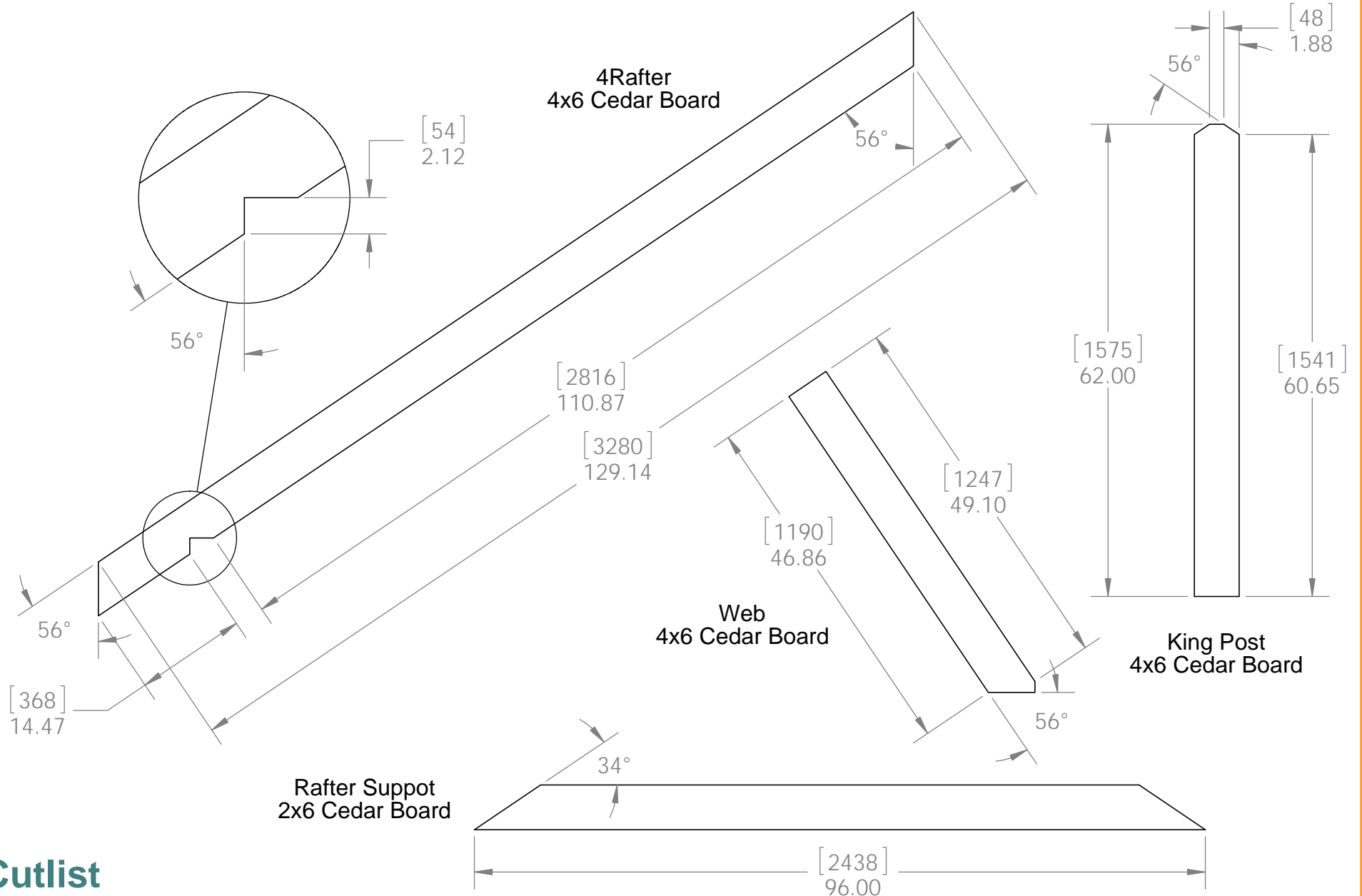


install Ozco product with  
instructions provided in packaging

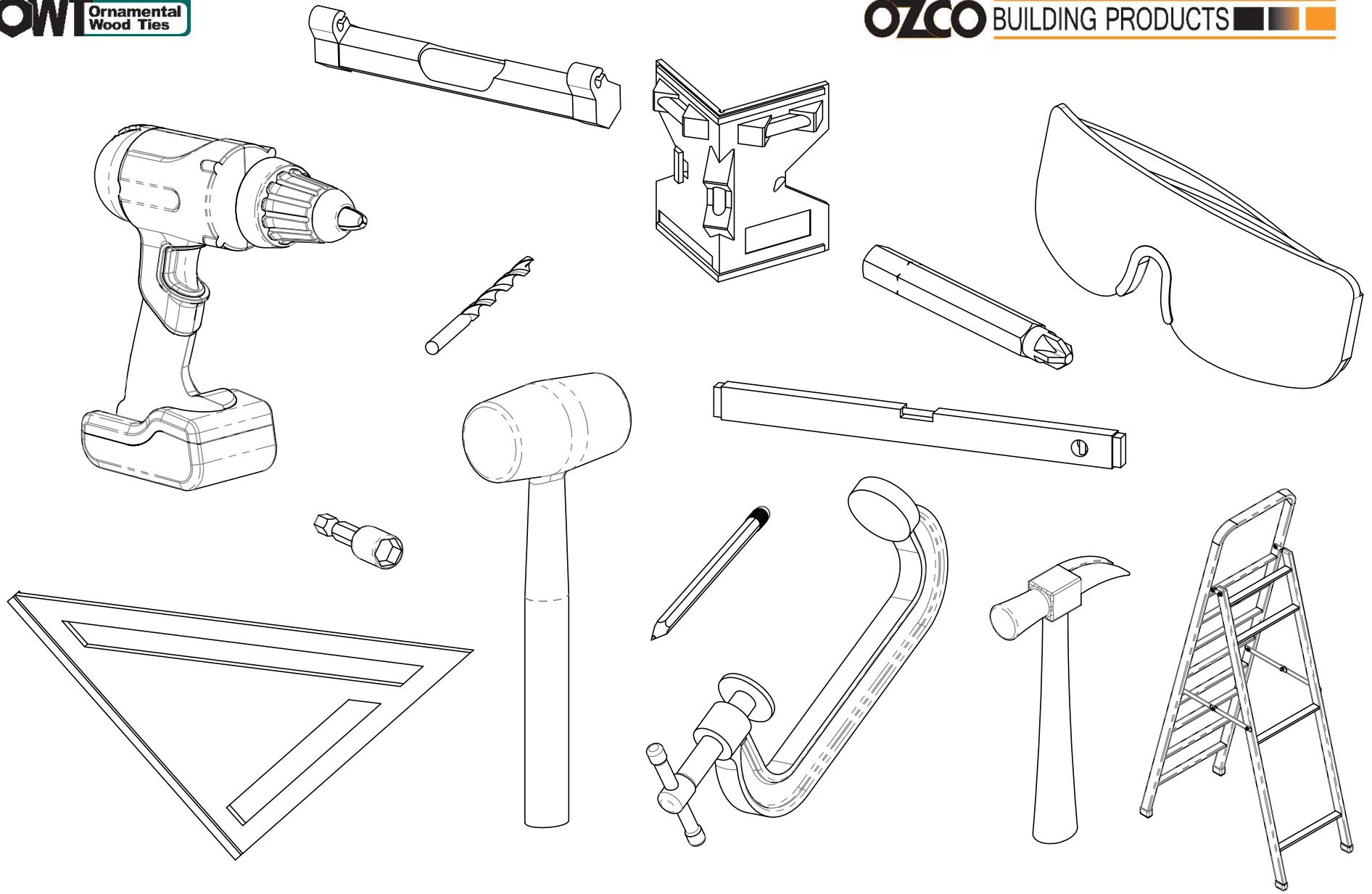


## Cutlist

**Project 226 Wood Post & Beam Pavilion  
(16x16) - Free Standing**



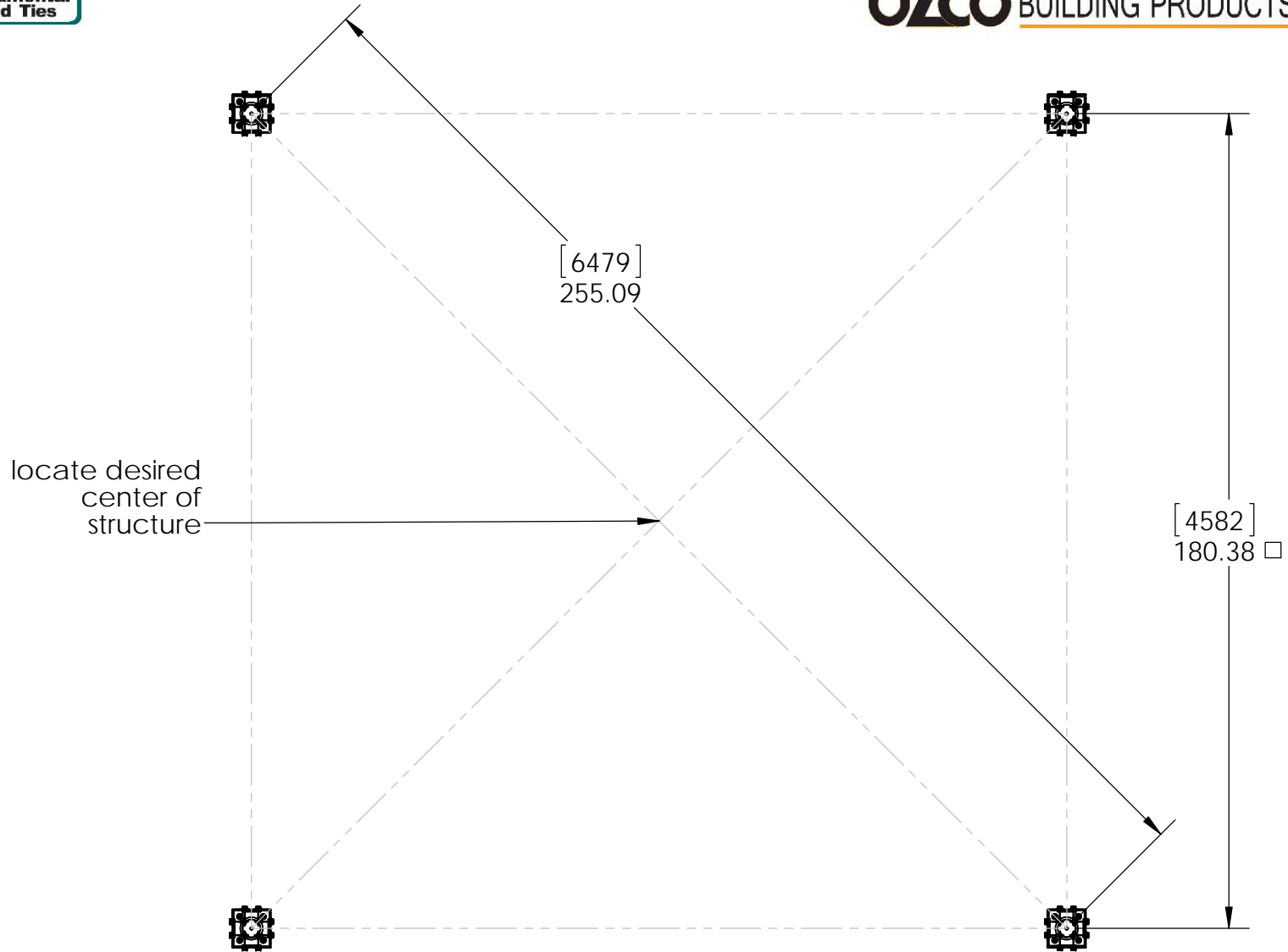
## Cutlist



## Suggested Tools

(others may be required)

**Project 226 Wood Post & Beam Pavilion  
(16x16) - Free Standing**

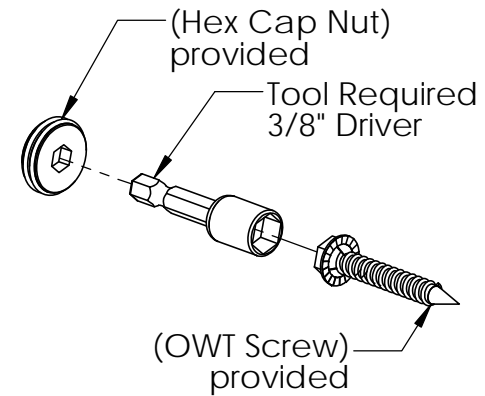
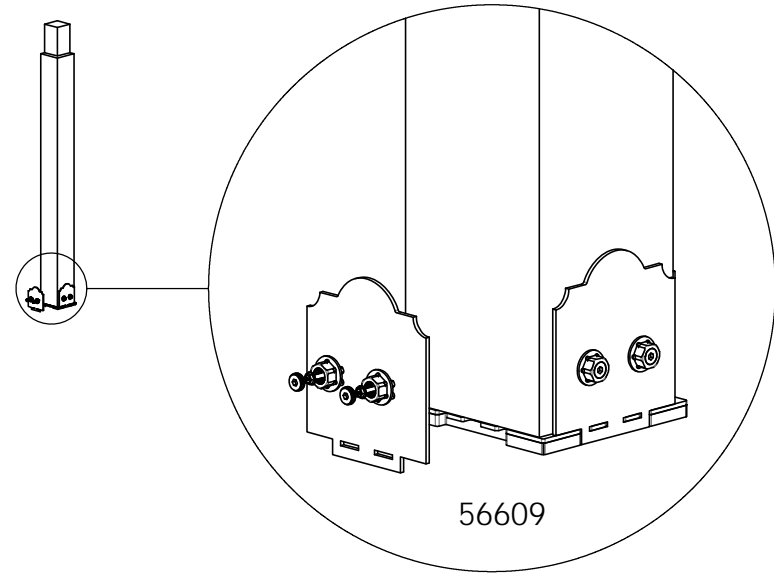
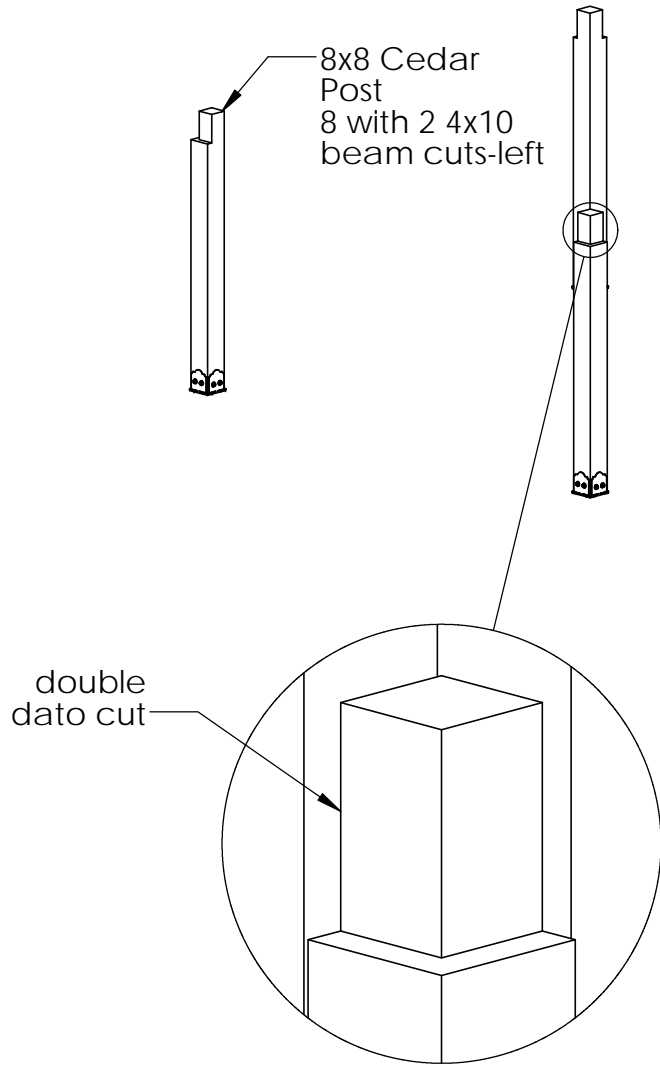


if site is not level,   
see Ozco Site Leveling instruction

site

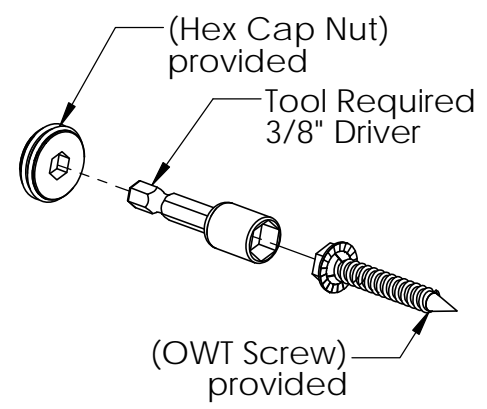
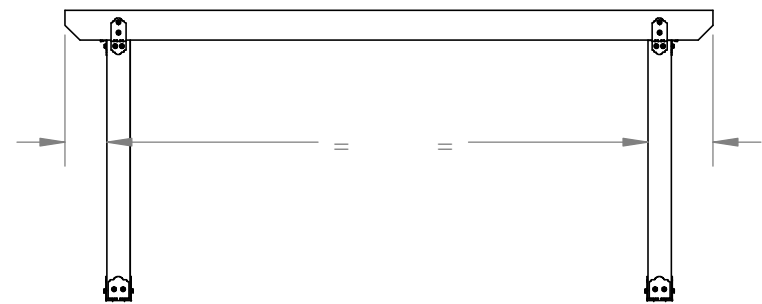
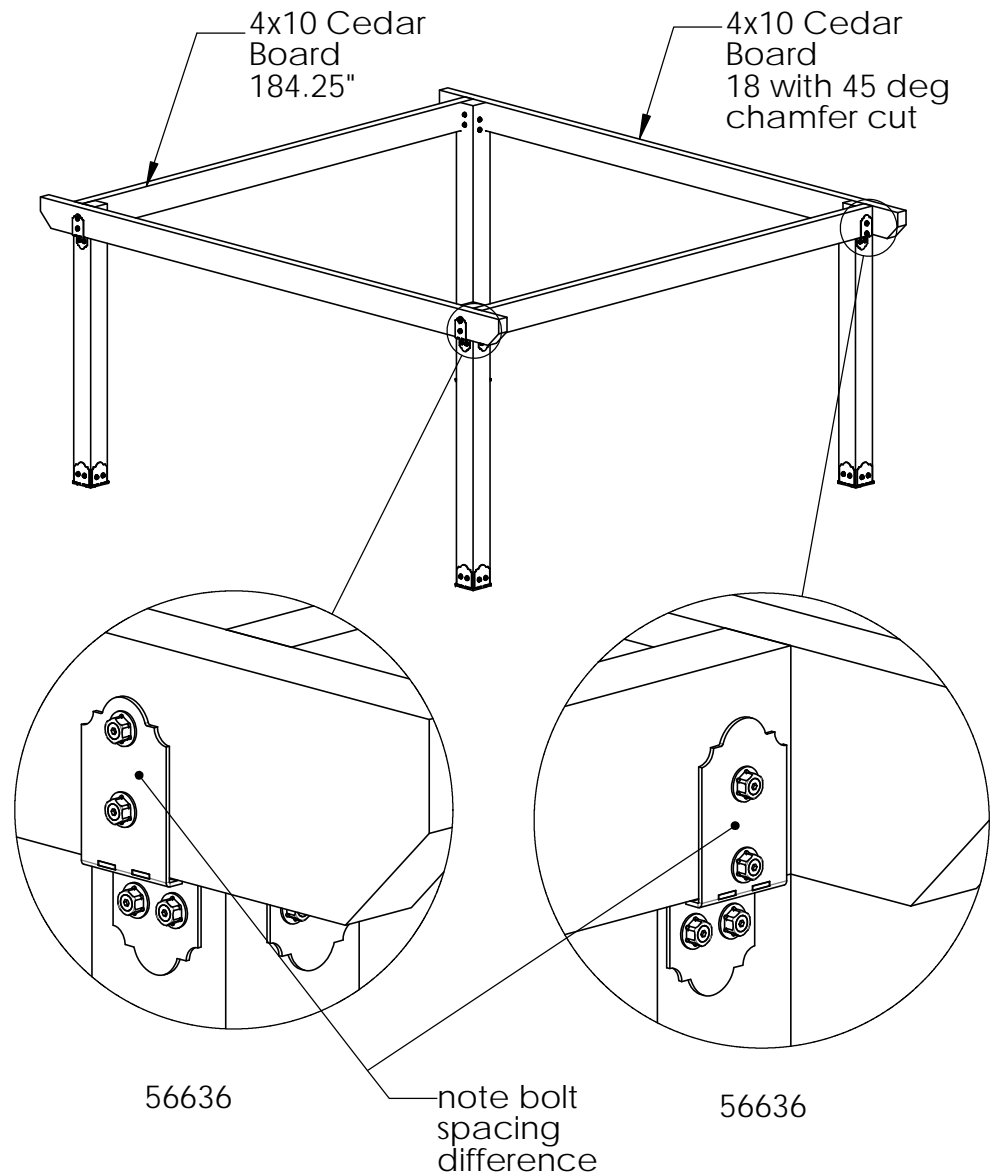
Project 226 Wood Post & Beam Pavilion  
(16x16) - Free Standing





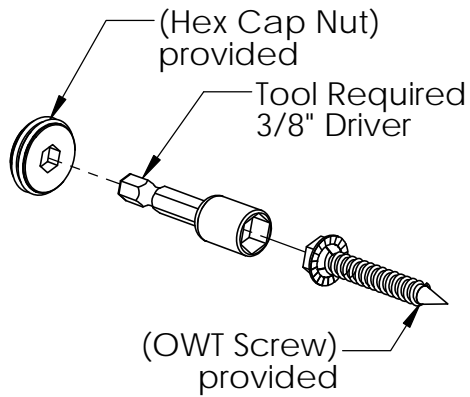
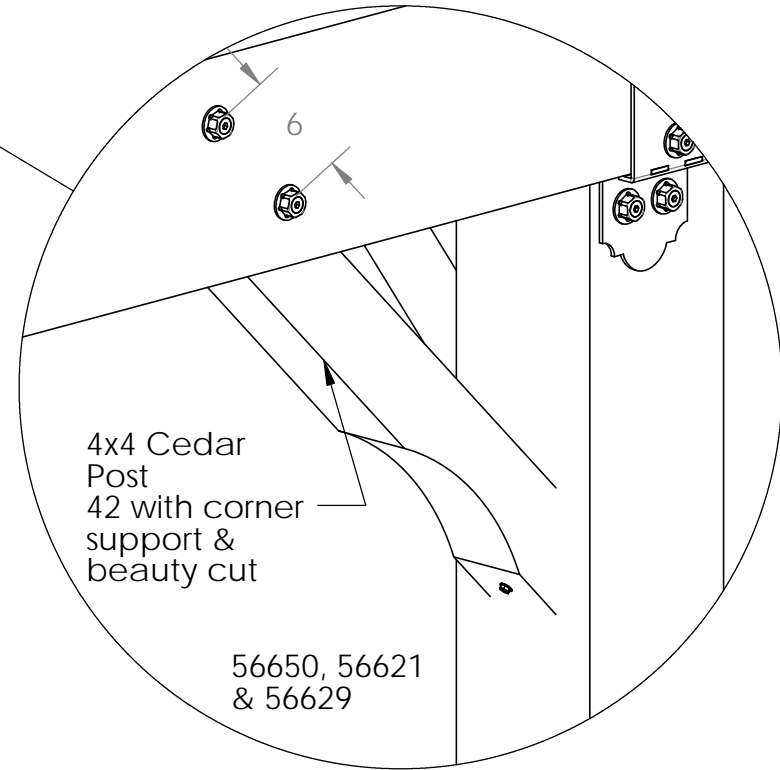
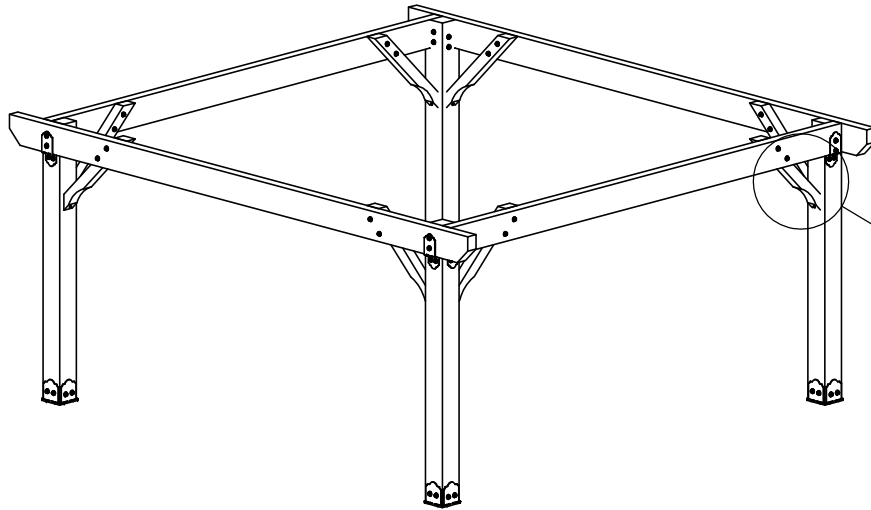
## step 1

Project 226 Wood Post & Beam Pavilion  
(16x16) - Free Standing



**step 2**

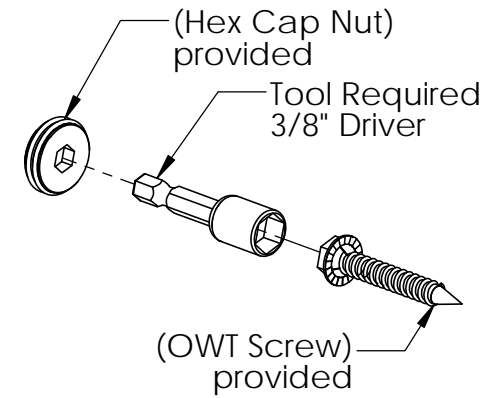
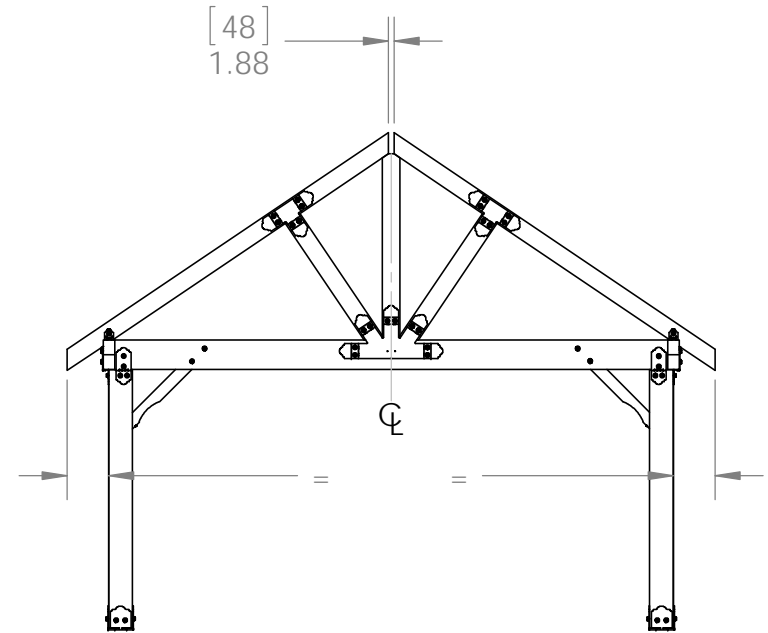
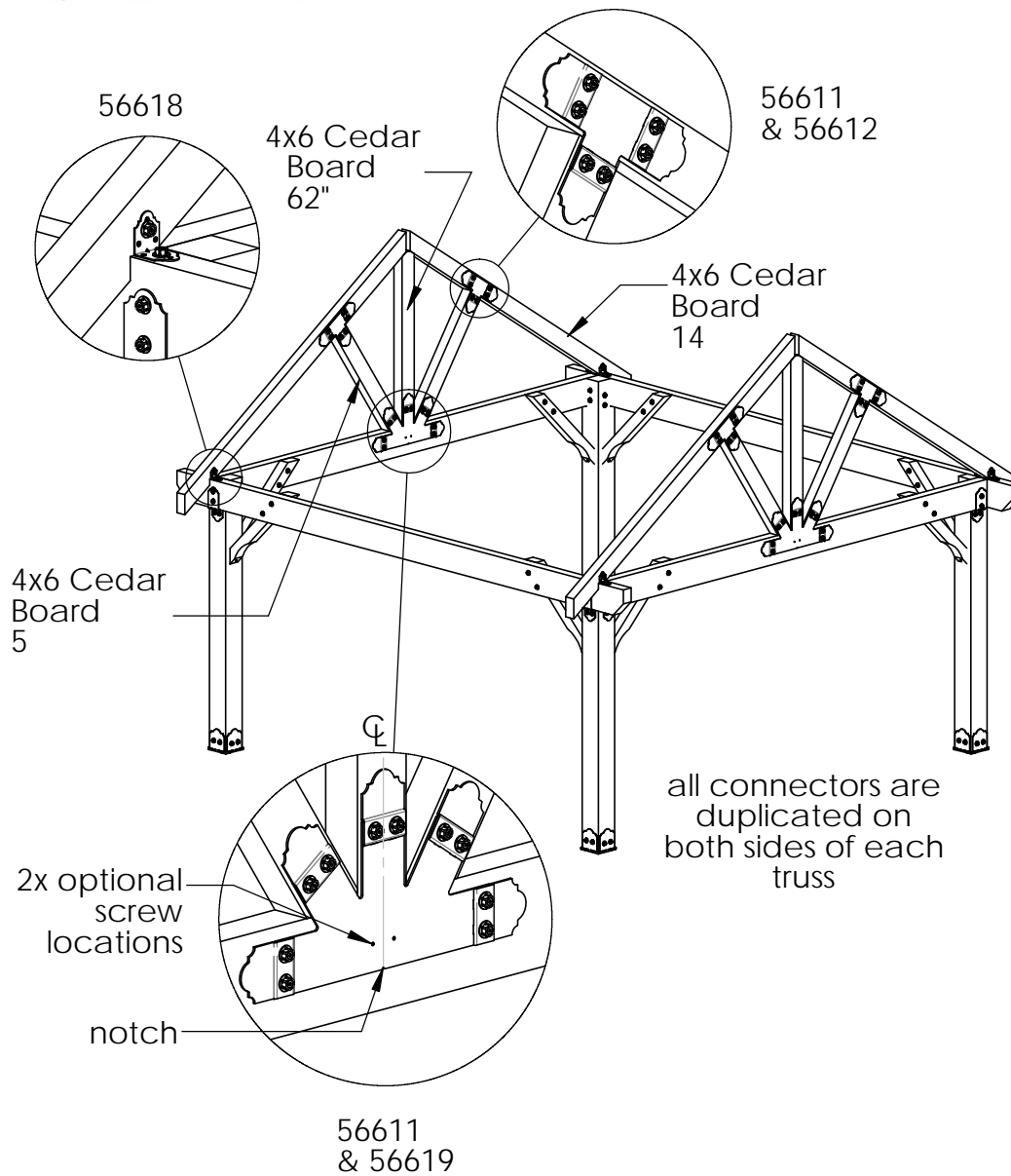
**Project 226 Wood Post & Beam Pavilion (16x16) - Free Standing**



braces repeat 2x on each post  
8 total

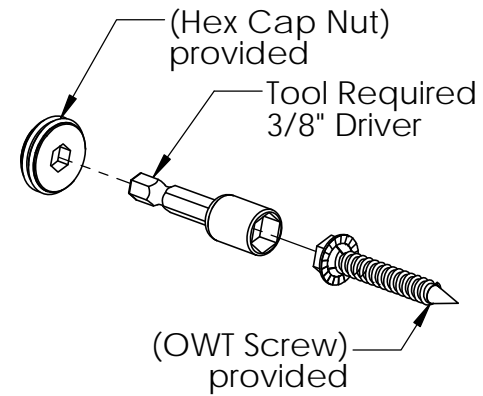
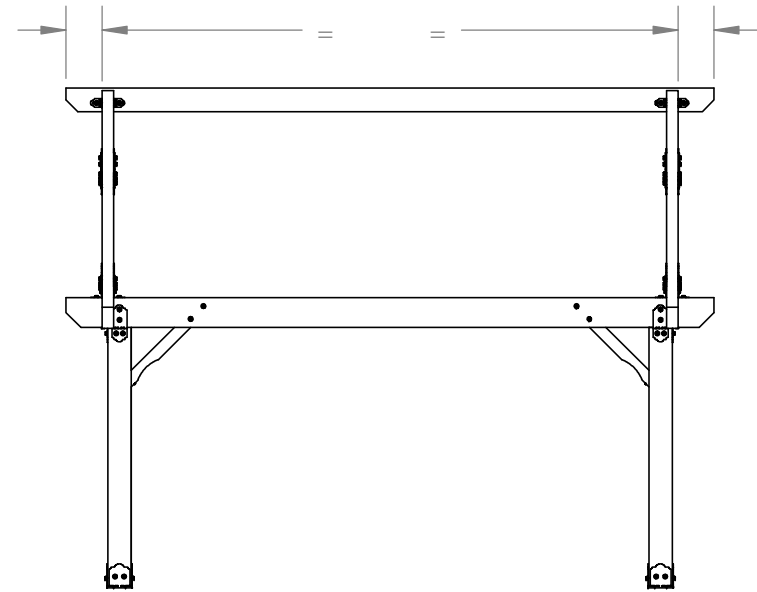
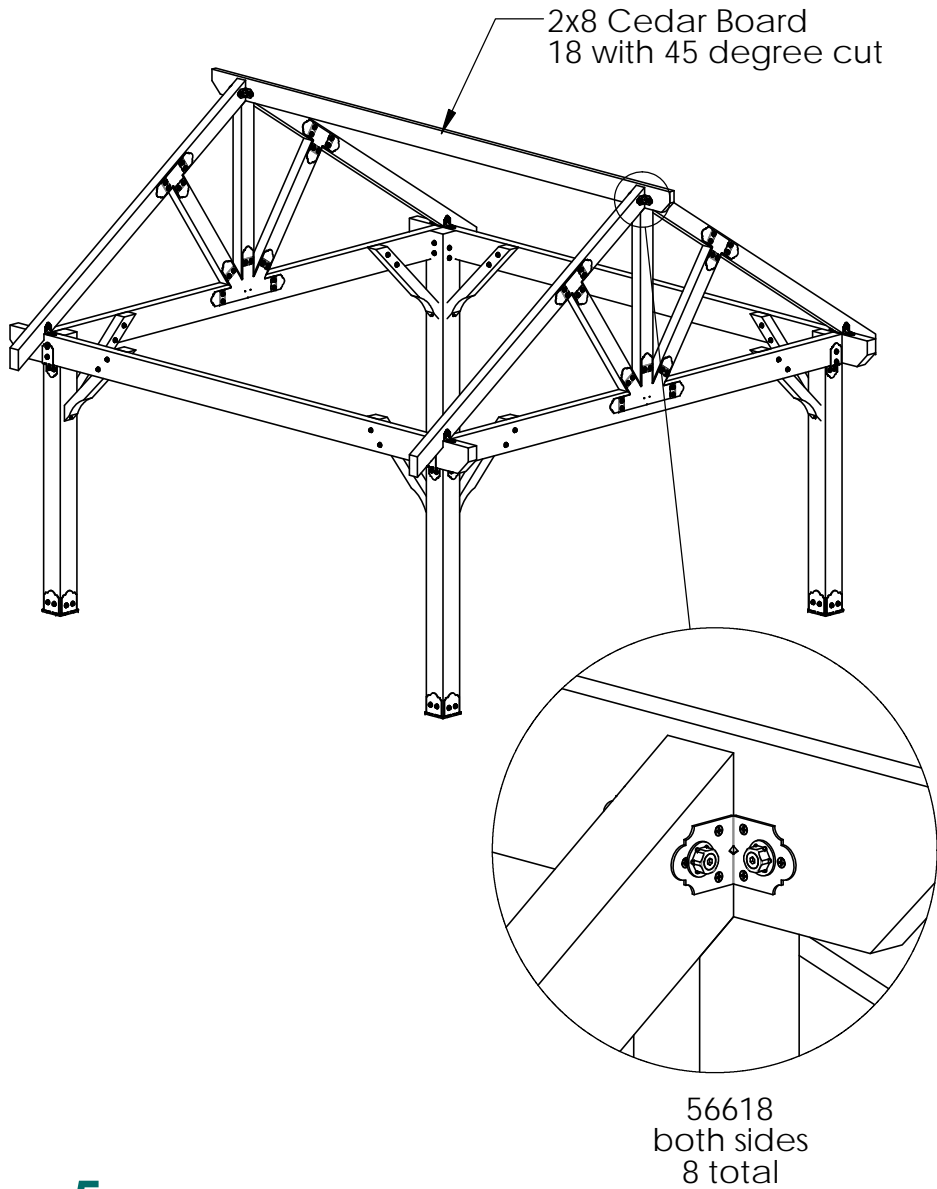
### step 3

**Project 226 Wood Post & Beam Pavilion  
(16x16) - Free Standing**



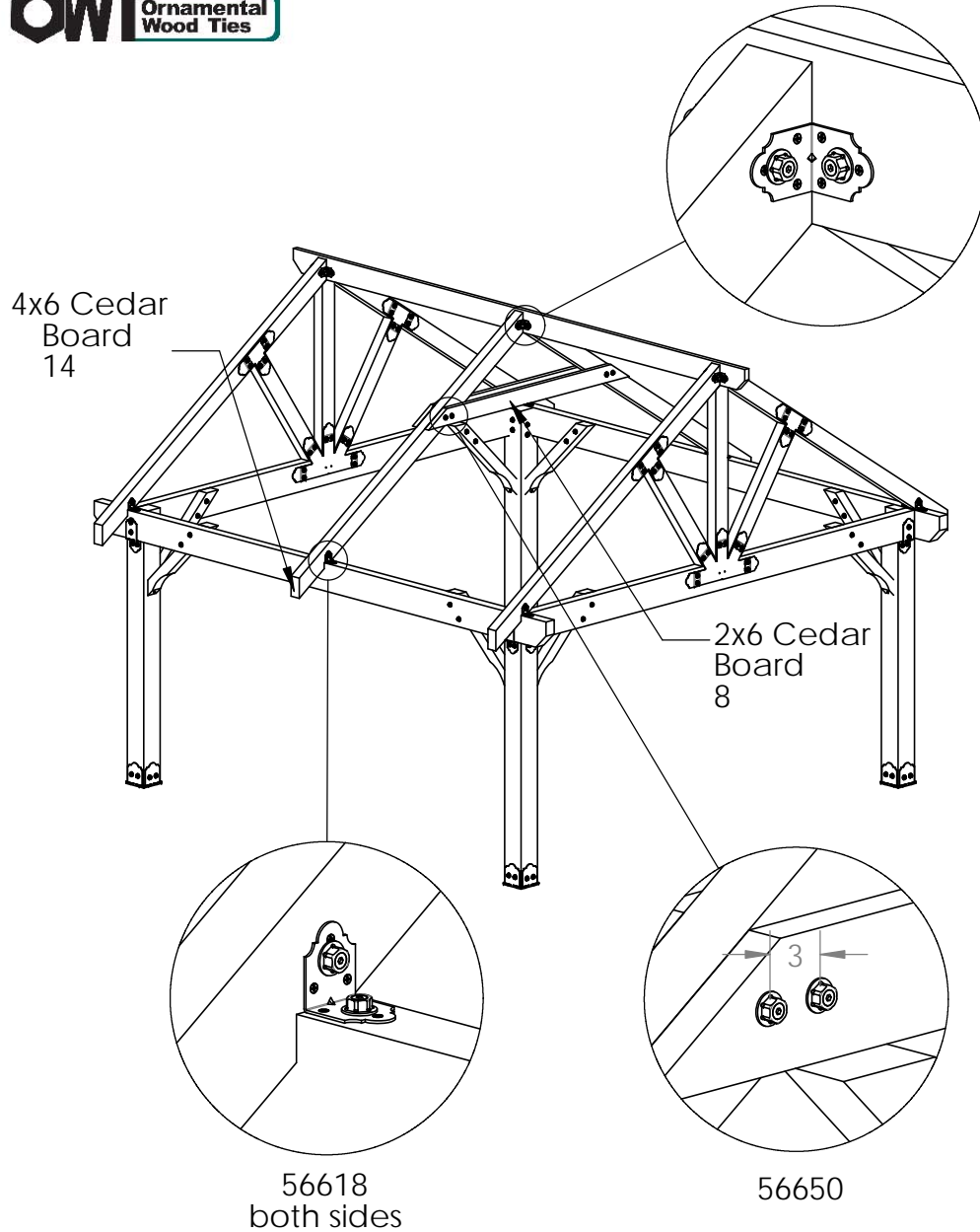
## step 4

**Project 226 Wood Post & Beam Pavilion (16x16) - Free Standing**

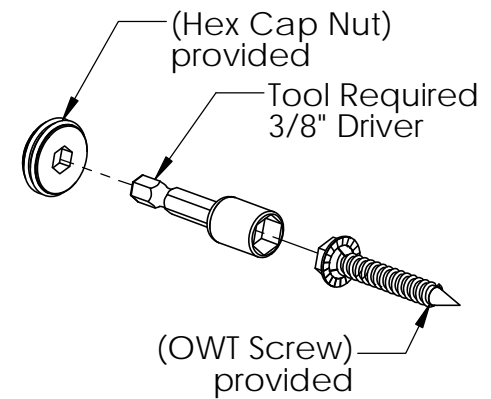
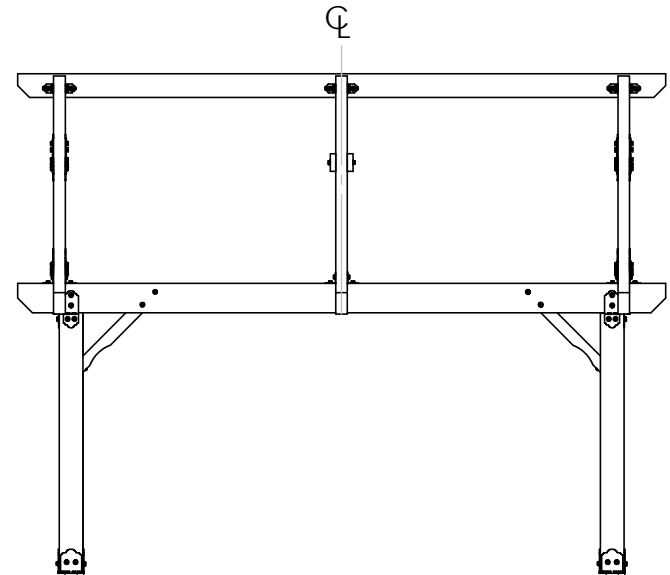


## step 5

Project 226 Wood Post & Beam Pavilion  
(16x16) - Free Standing

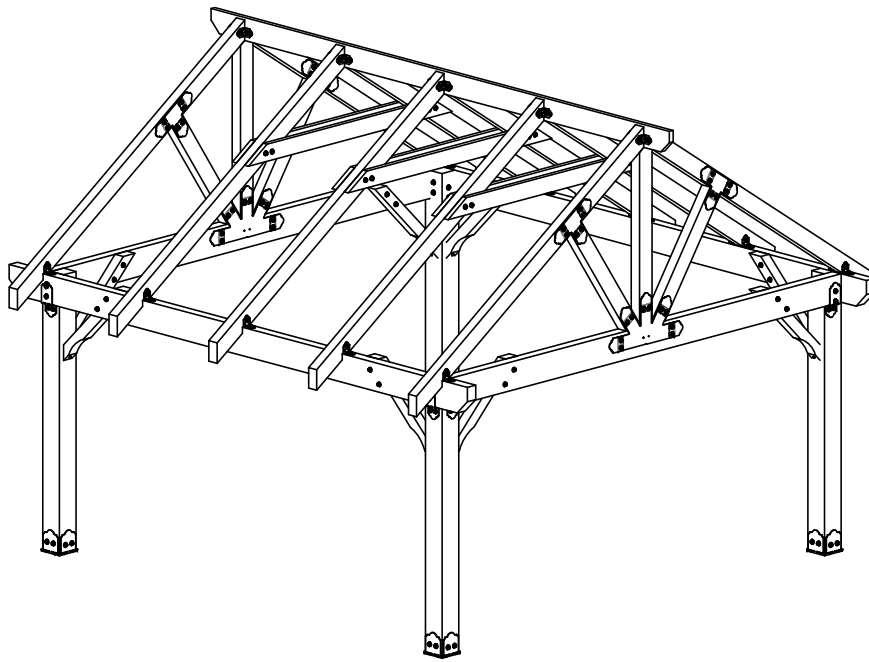


56618  
both sides

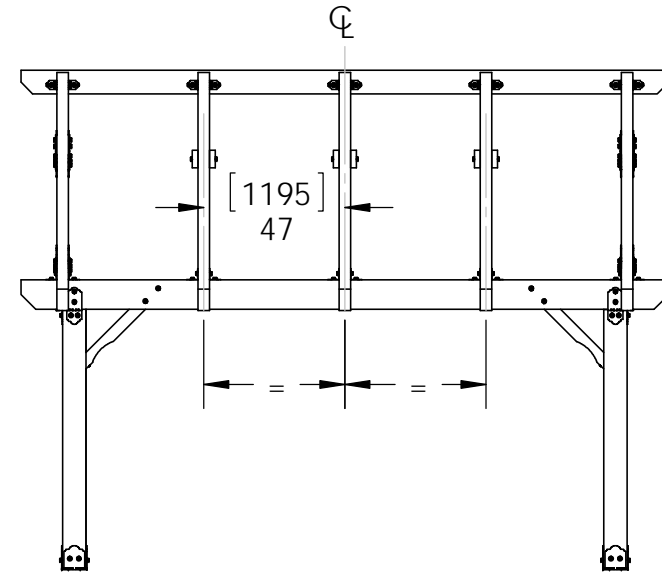


## step 6

**Project 226 Wood Post & Beam Pavilion  
(16x16) - Free Standing**

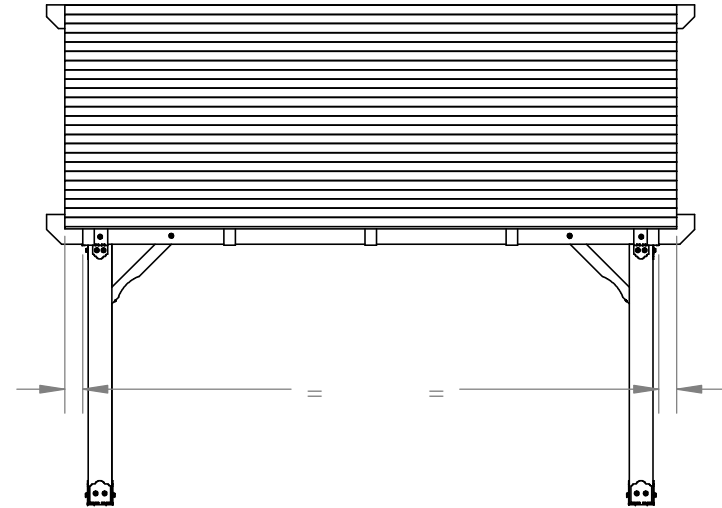
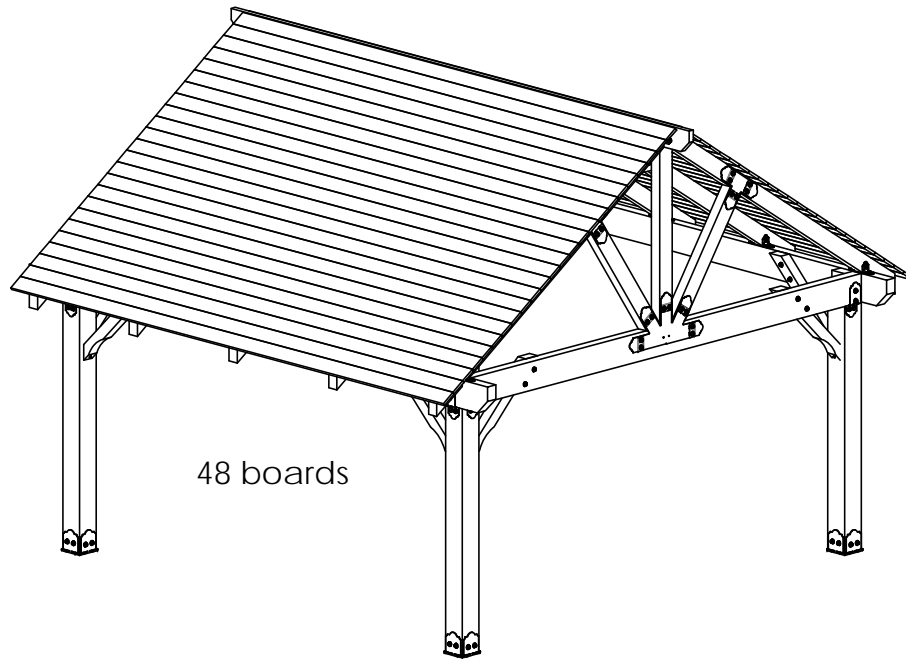


repeat previous step as shown



## step 7

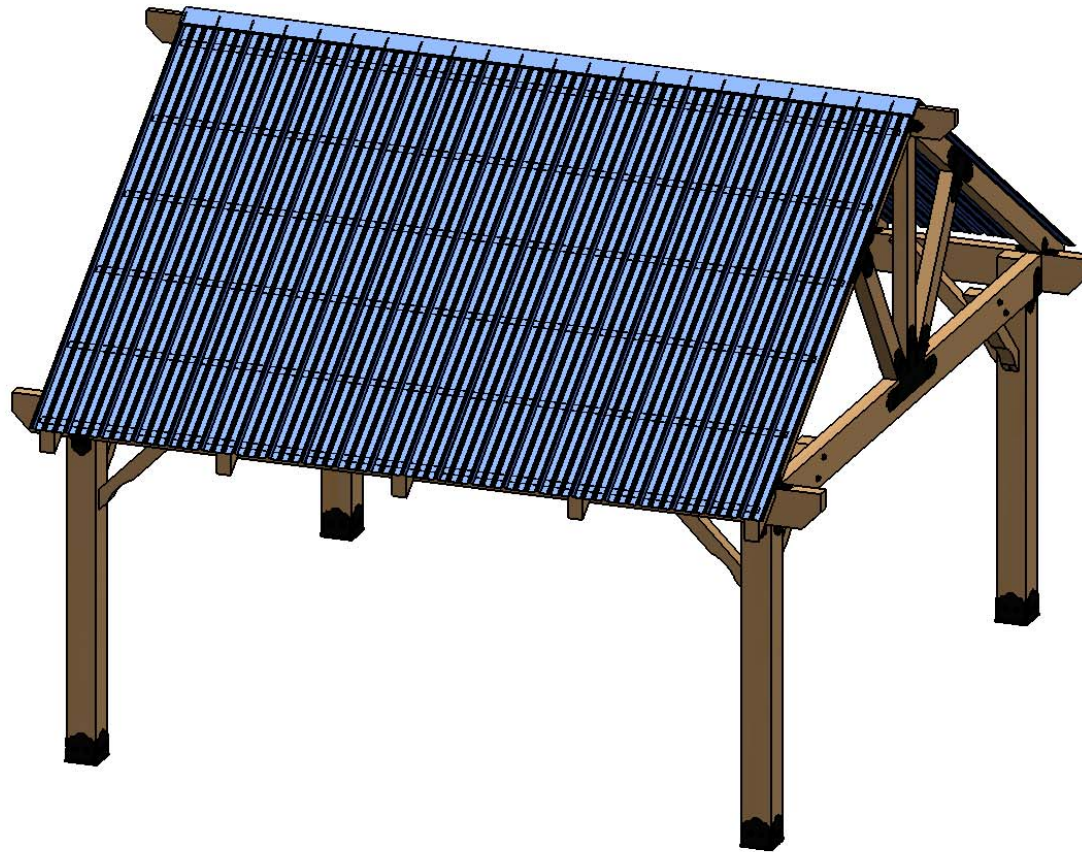
**Project 226 Wood Post & Beam Pavilion  
(16x16) - Free Standing**



## roof option-1x6

Project 226 Wood Post & Beam Pavilion  
(16x16) - Free Standing





Metal Sales Classic Rib metal roof option

## Metal Roofing Option

**Project 226 Wood Post & Beam Pavilion  
(16x16) - Free Standing**