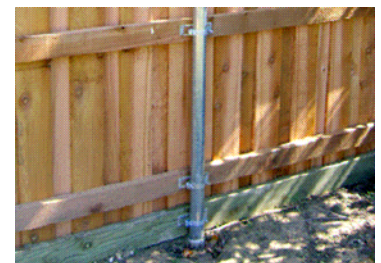
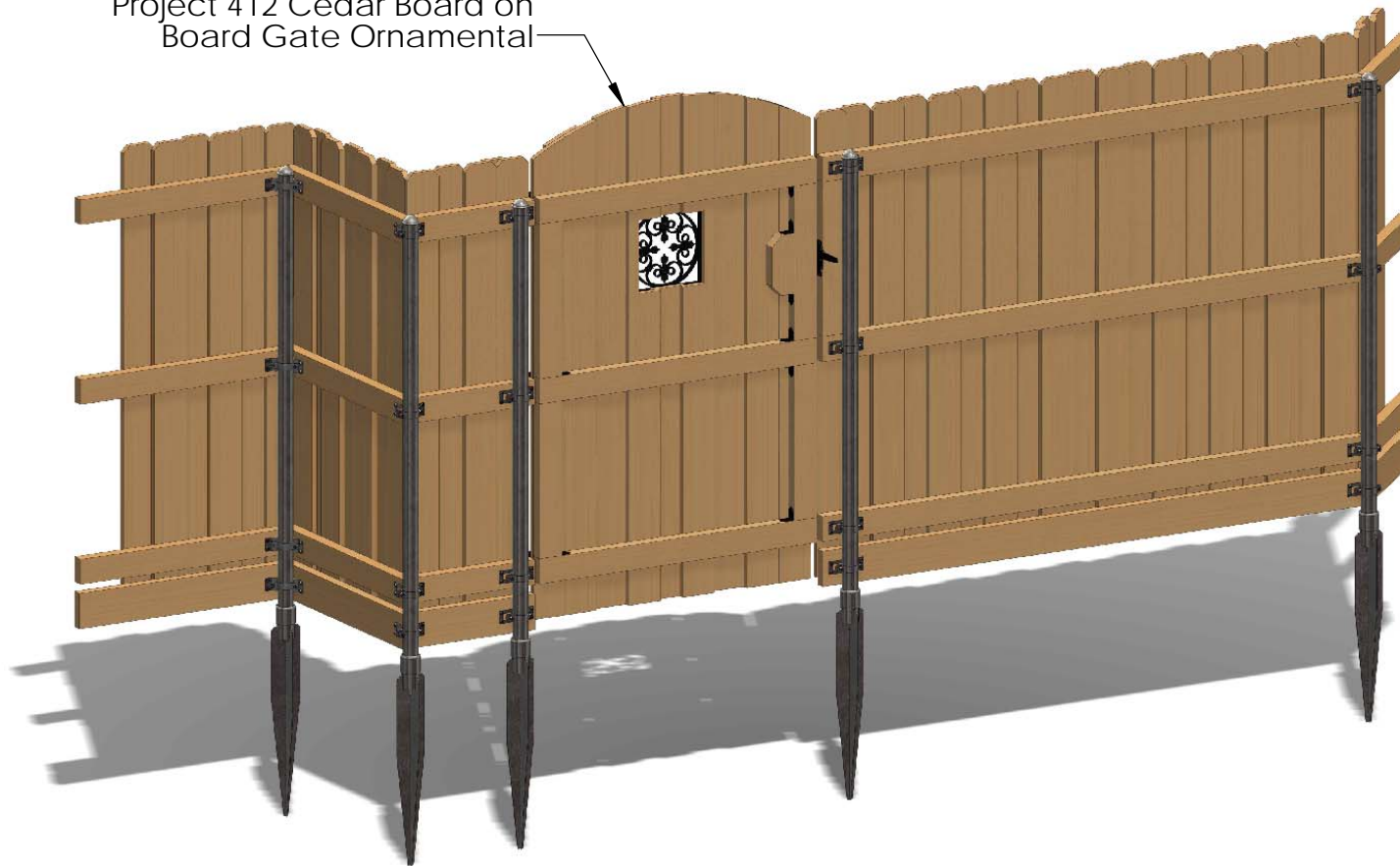
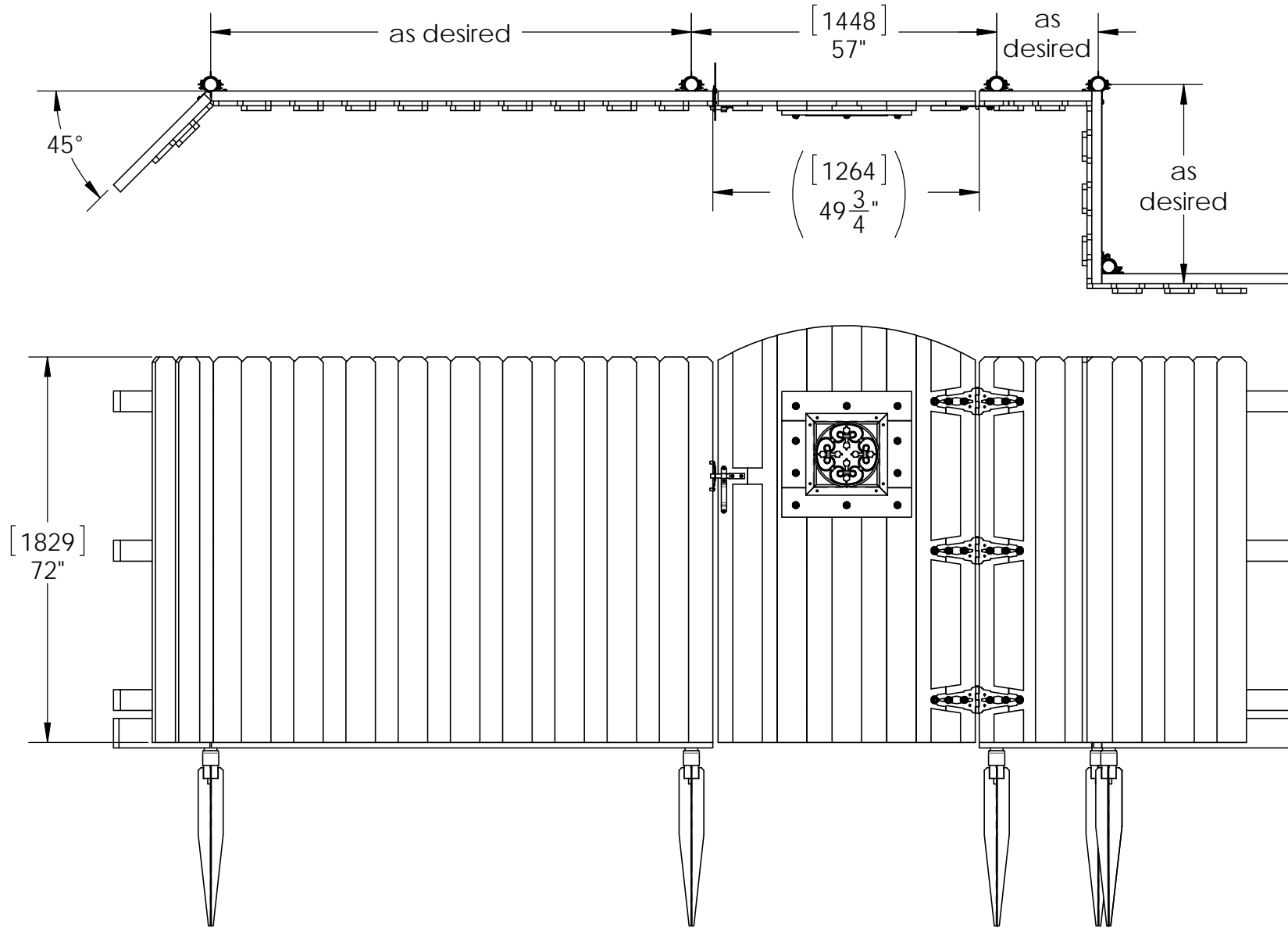


Project 262 Steel Post Board on Board Privacy Fence

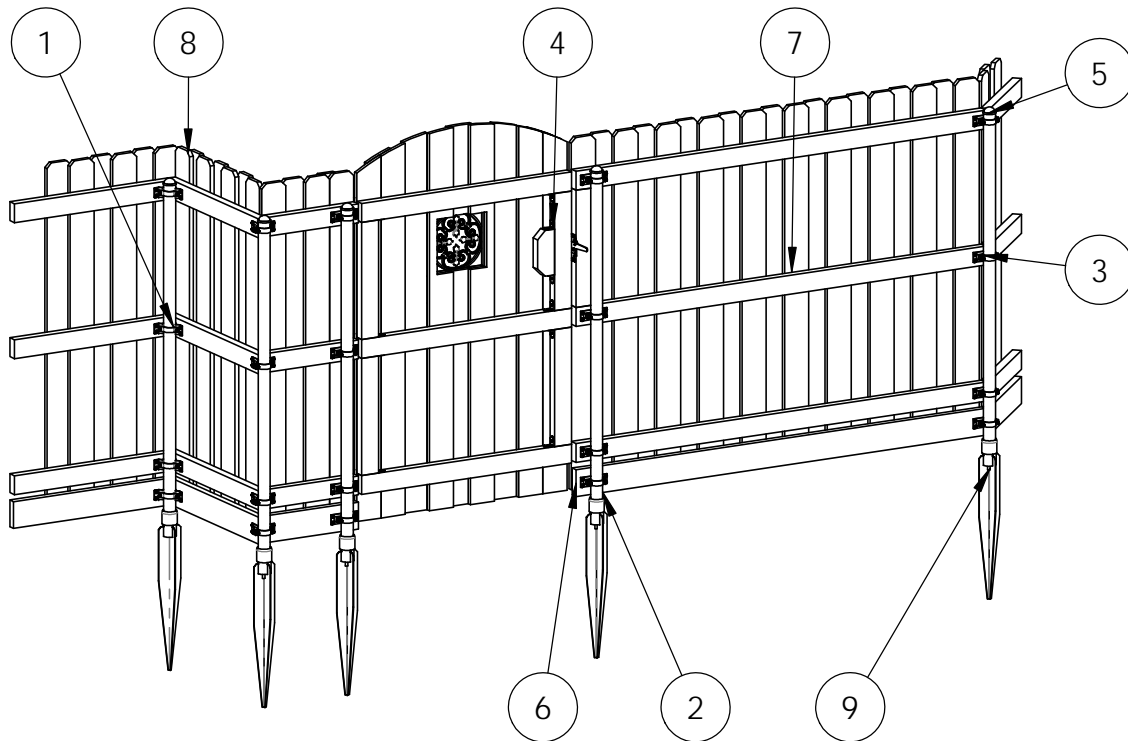
Project 412 Cedar Board on Board Gate Ornamental





Overview

Project 262 Steel Post Board on Board Privacy Fence



BOM Table

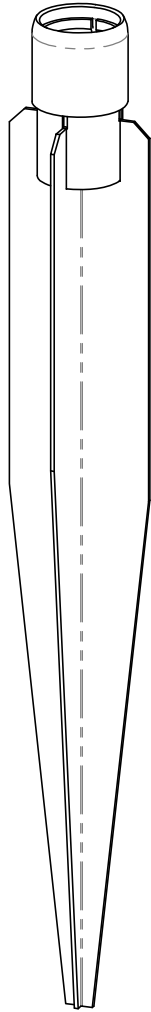
ITEM NO.	QTY.	PART NUMBER	DESCRIPTION
1	4	50140	WAP-OZ-90 Steel to Wood Fence Bracket
2	5	Pipe, 2.375	Post, 2-3/8" Galvanized Steel, 6 foot
3	16	50110	2 3/8" Steel to Wood Bracket
4	1	Project 412	Project 412 Cedar Board on Board Gate Ornamental
5	5	cap, steel 2.375 post	Cap, 2-3/8" Galvanized Steel Post
6	5	2x6 Board	2x6x36"
7	16	2x4 Cedar Board	2x4x36"
8	40	1x6 Cedar Board	1x6x72"
9	5	30040	ISW-850 34" 2 3/8 Dia

OZCO 50100 (not on Bill of Material) is interchangeable with 50110 in most applications. Choose the bracket that best suits your fence.

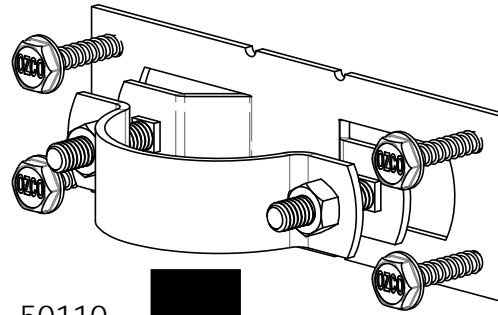
Bill of Material

Project 262 Steel Post Board on Board Privacy Fence

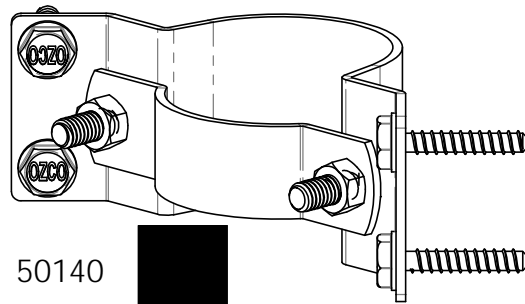
this Project illustrates most OZCO Fence Brackets; choose the one(s) that suit your application



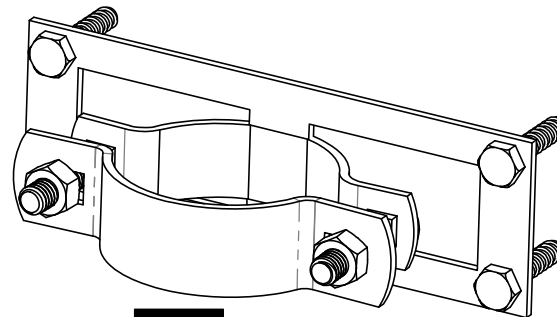
30040



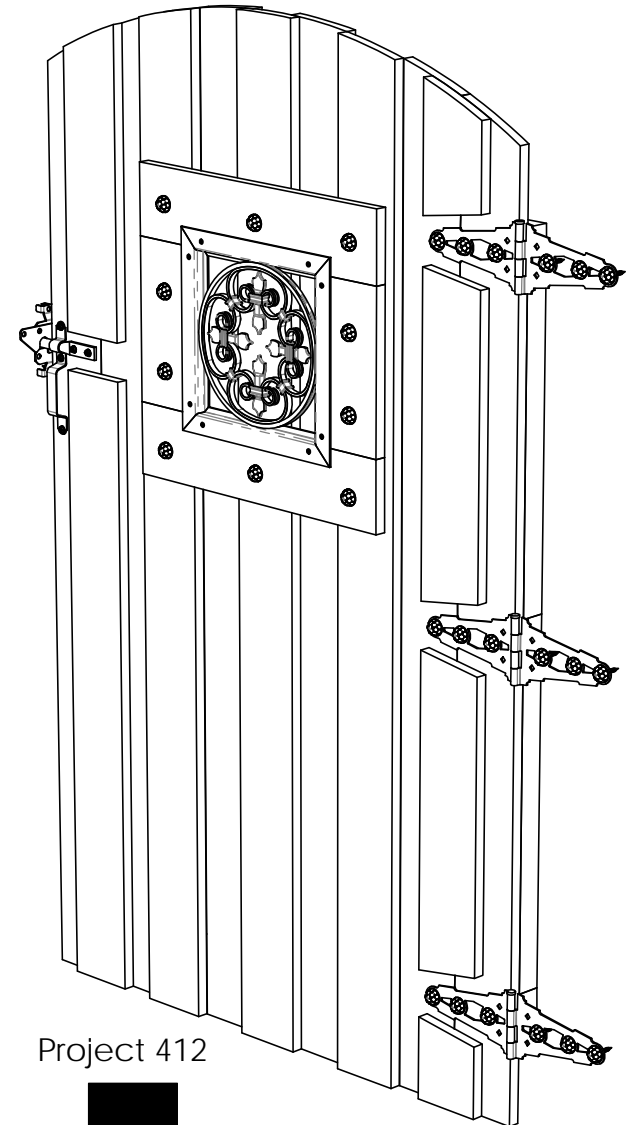
50110



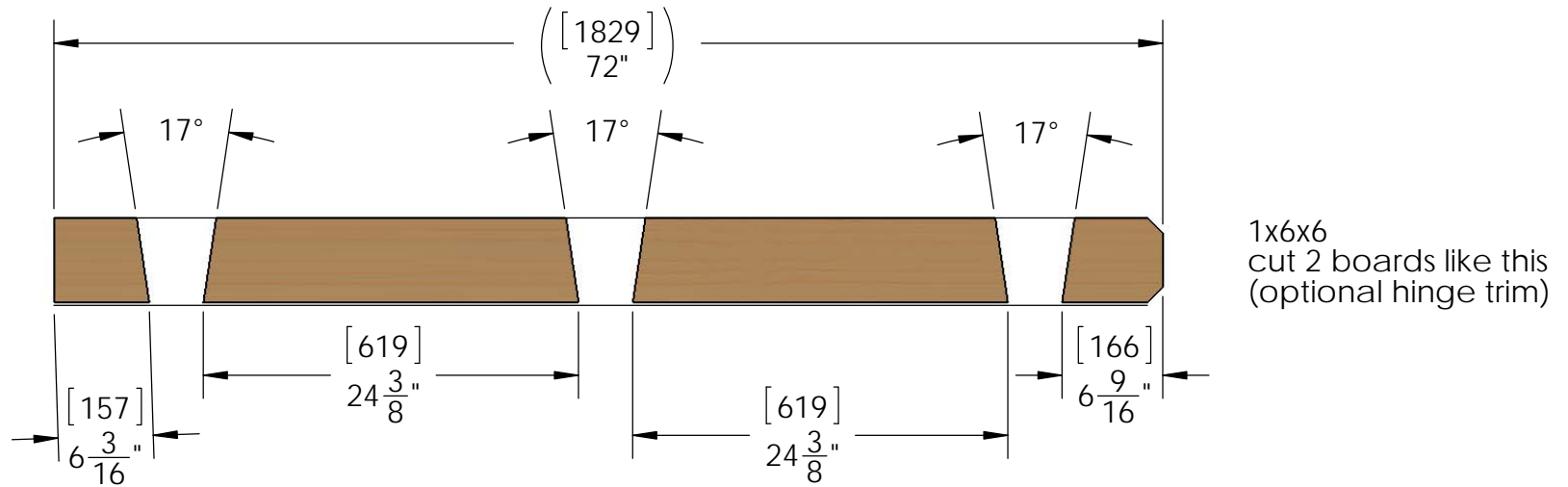
50140



50100

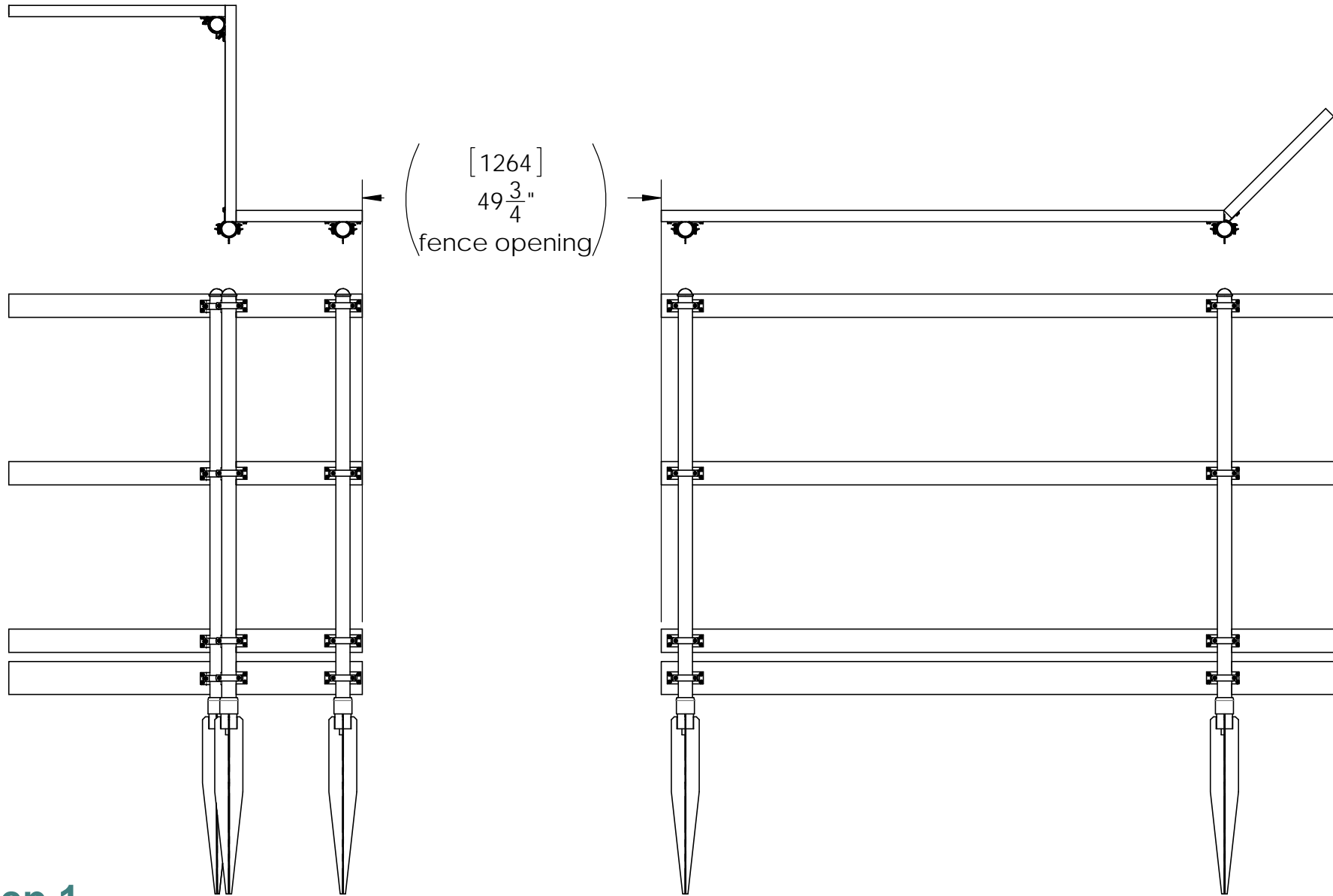


Project 412



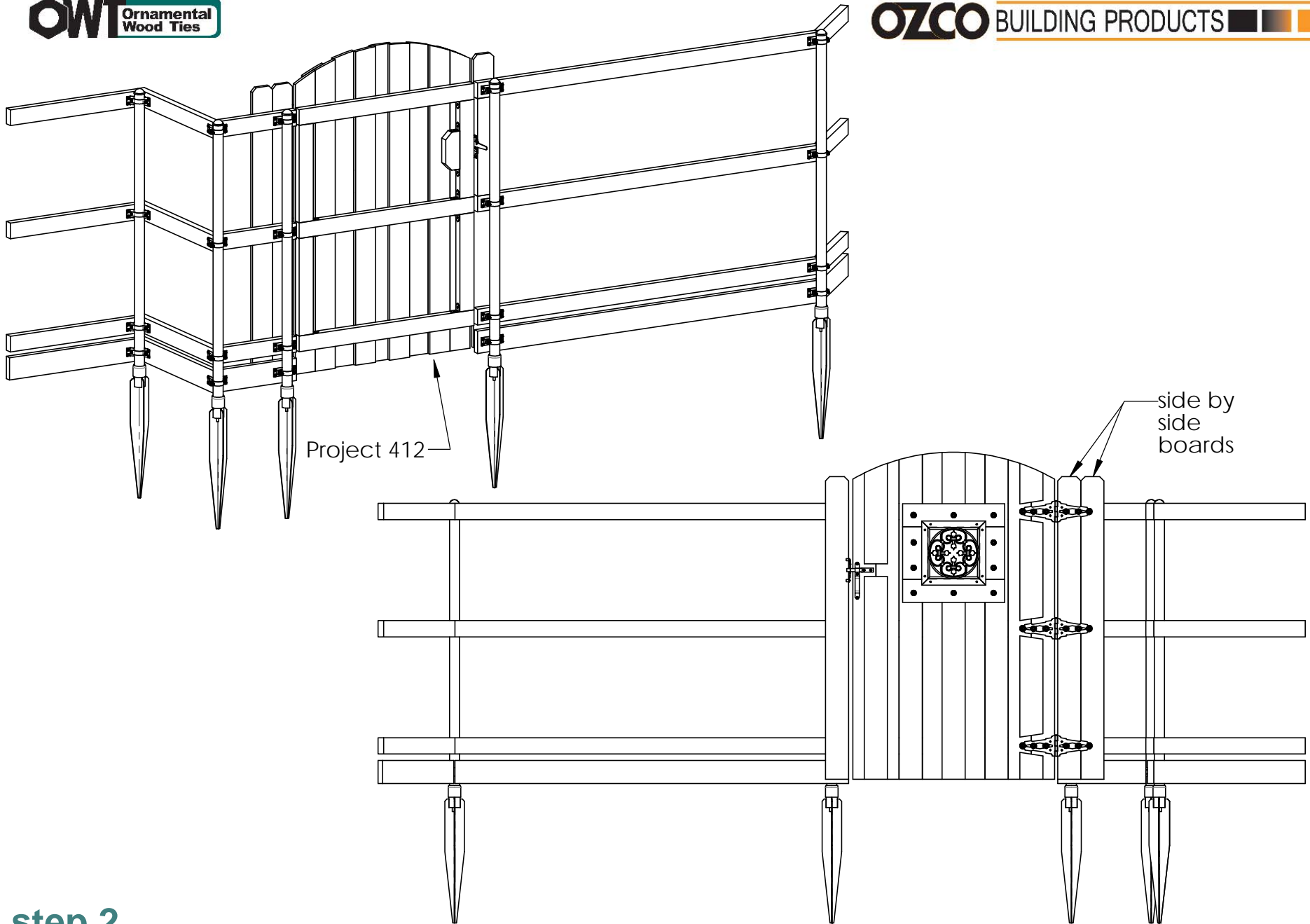
cutlist

Project 262 Steel Post Board on Board Privacy Fence



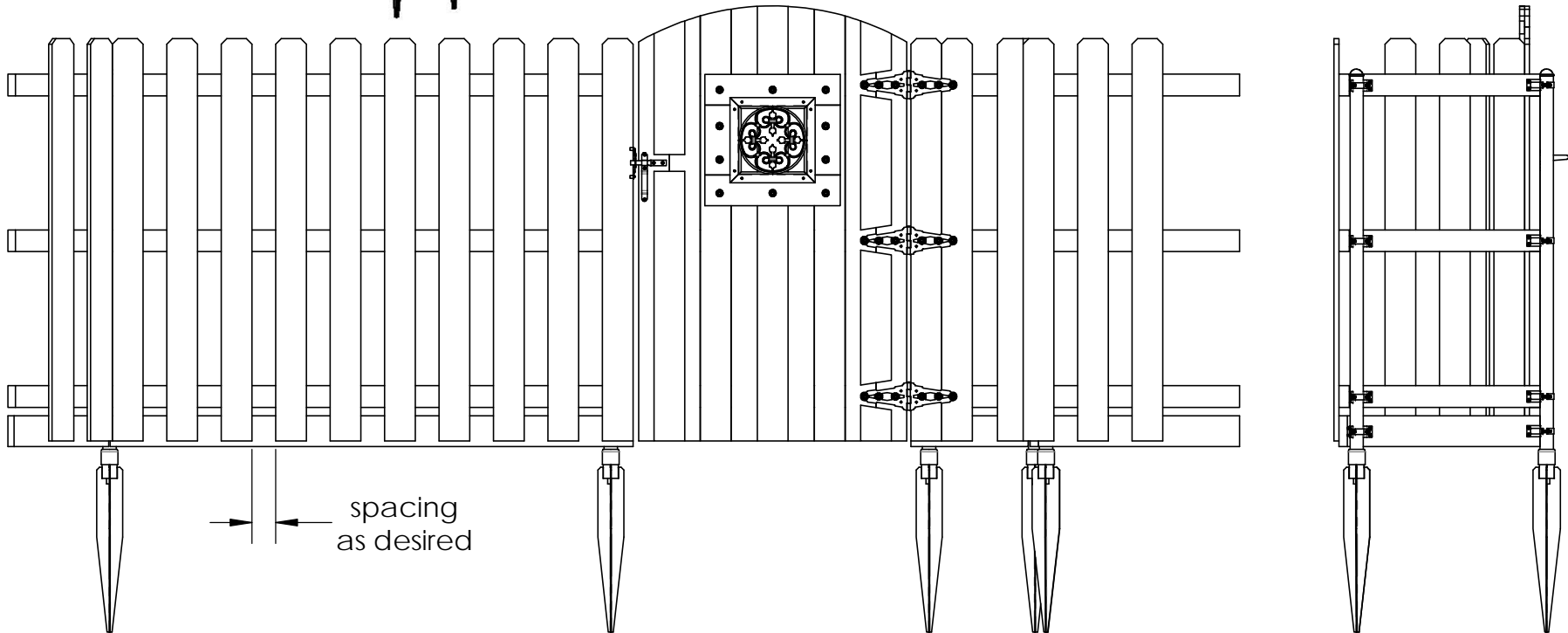
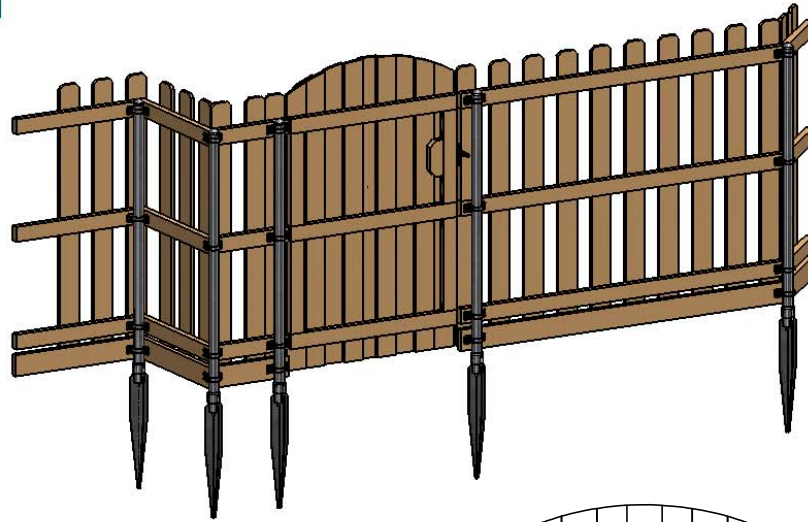
step 1

Project 262 Steel Post Board on Board Privacy Fence



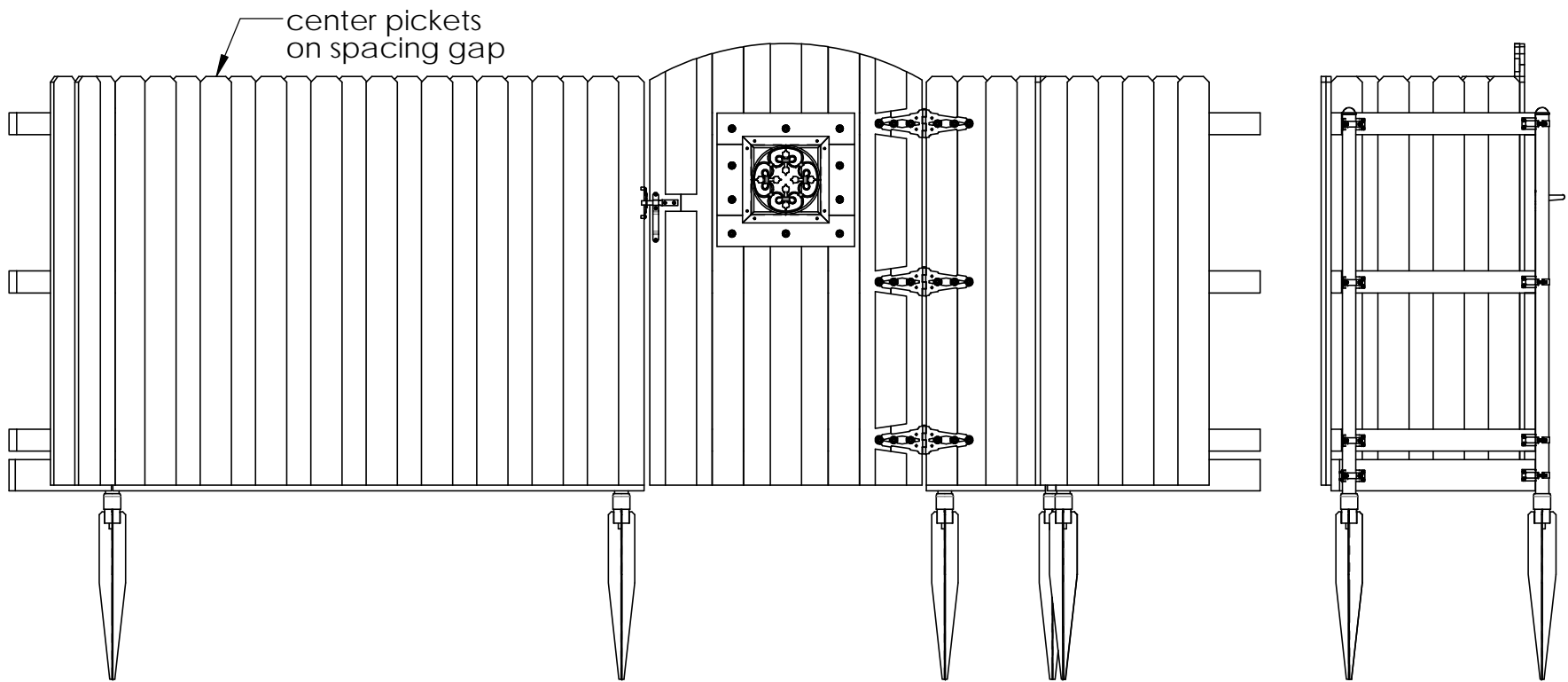
step 2

Project 262 Steel Post Board on Board Privacy Fence



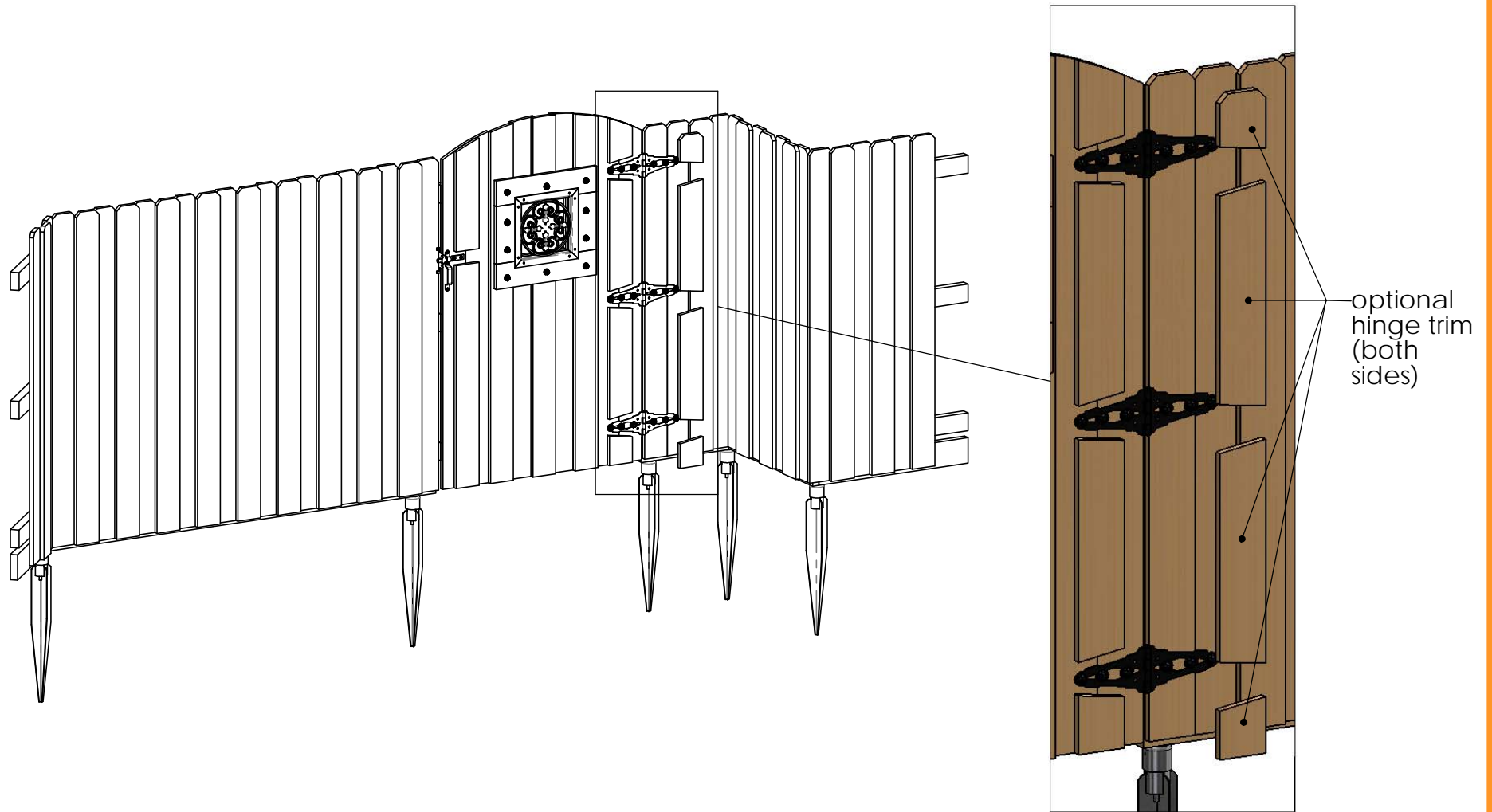
step 3

Project 262 Steel Post Board on Board Privacy Fence



step 4

Project 262 Steel Post Board on Board Privacy Fence



step 5

Project 262 Steel Post Board on Board Privacy Fence