

DESIGN

PURCHASE

CONSTRUCT

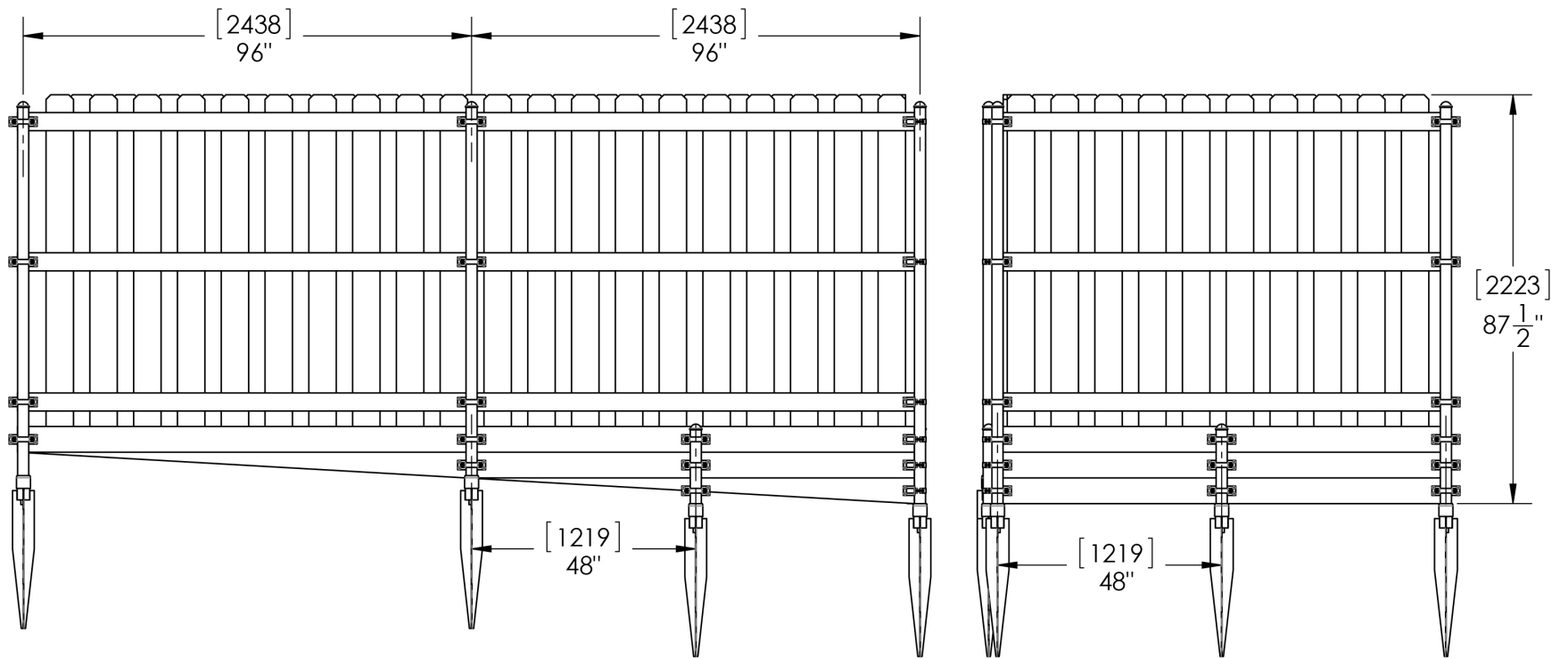
ENJOY



Cedar Board on Board Fence with Retaining Wall Project #263

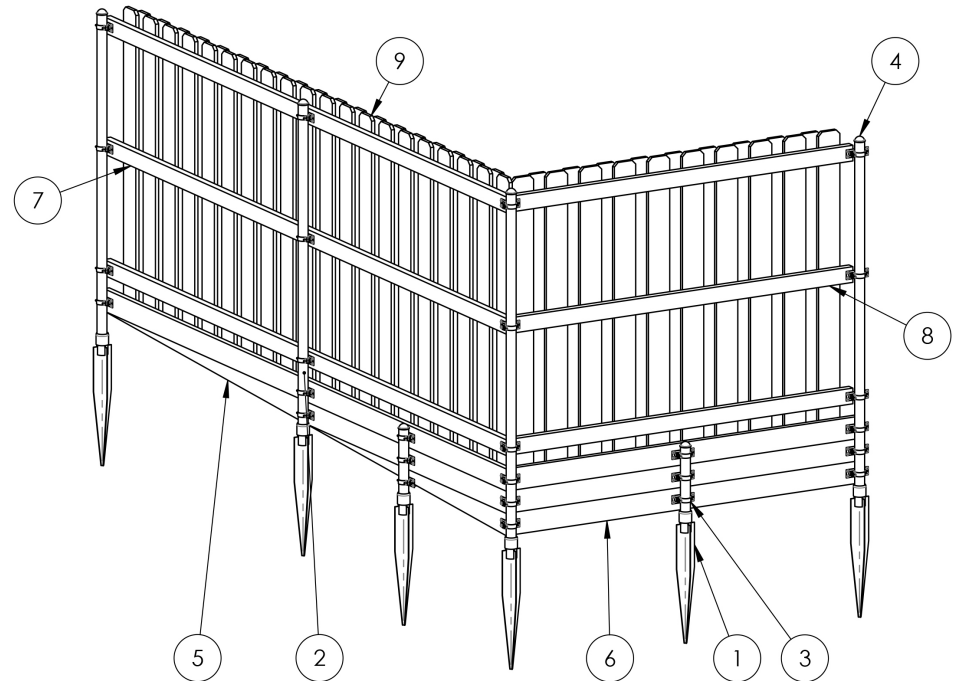


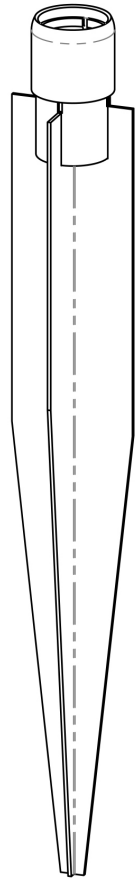
Overview



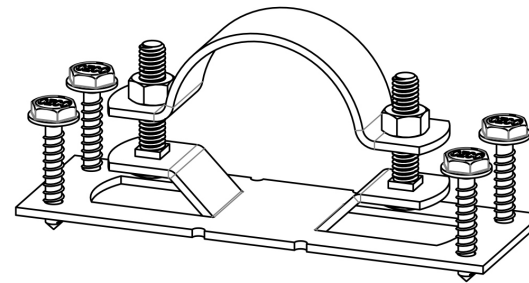
Bill of Materials

ITEM NO.	QTY.	PART NUMBER	DESCRIPTION
1	6	30040	ISW-850 3/4" 2 3/8 Dia
2	5	N/A	Pipe, 2 3/8" Galvanized Steel, 8 foot
3	27	50110	2 3/8 Steel to Wood Bracket
4	6	N/A	Cap, Steel 2.375 Post Cap, 2-3/8 Galvanized Steel Post
5	3	N/A	2x6 Board, 2x6x192"
6	3	N/A	2x6 Board, 2x6x 96"
7	3	N/A	2X4 Cedar Board, 2x4x192.00
8	3	N/A	2x4 Cedar Board, 2x4x192.00
9	58	N/A	1x6 Cedar Board, 1x6x72.00





30040



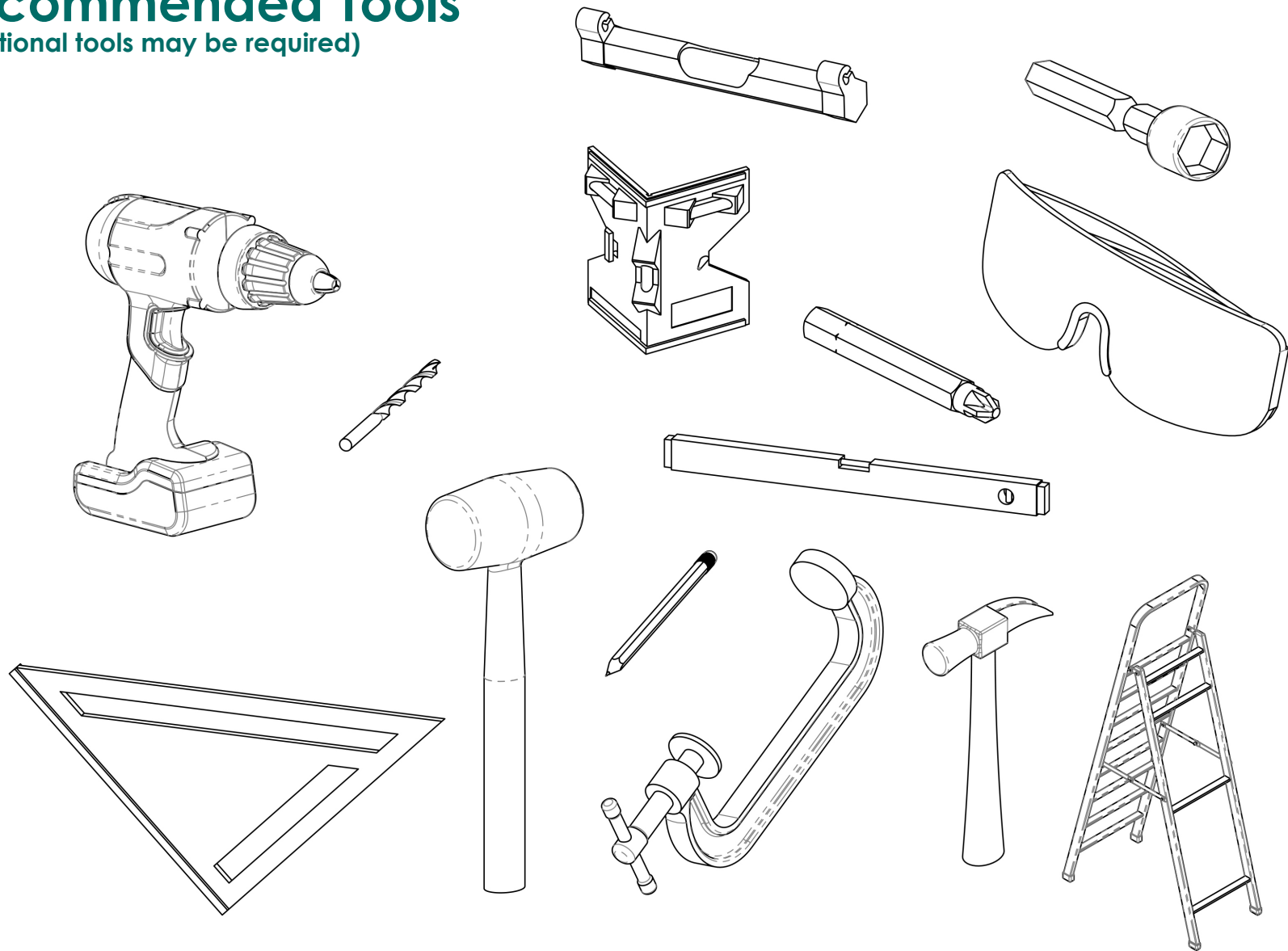
50110



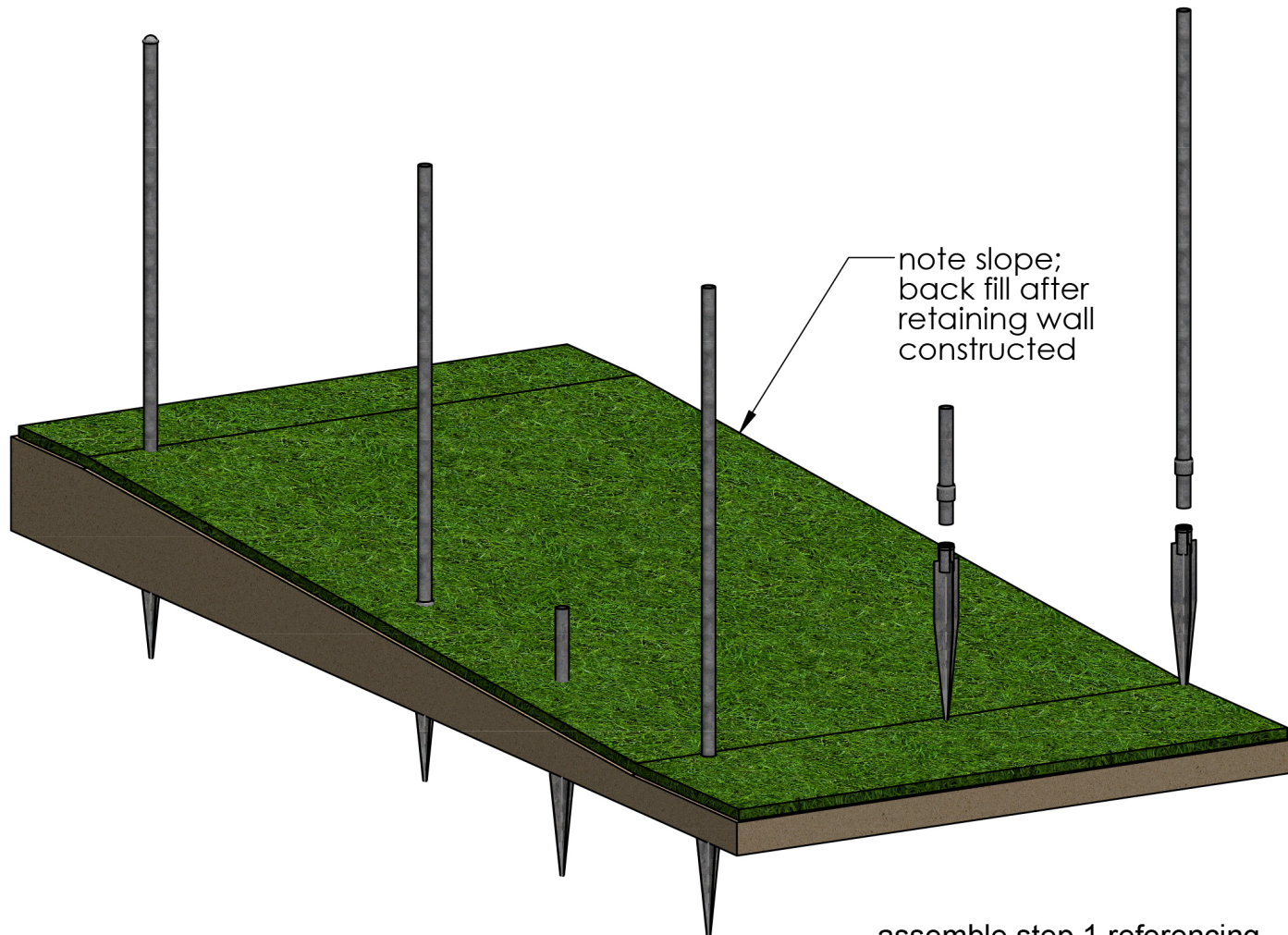
Visit Website by using QR codes

Recommended Tools

(additional tools may be required)



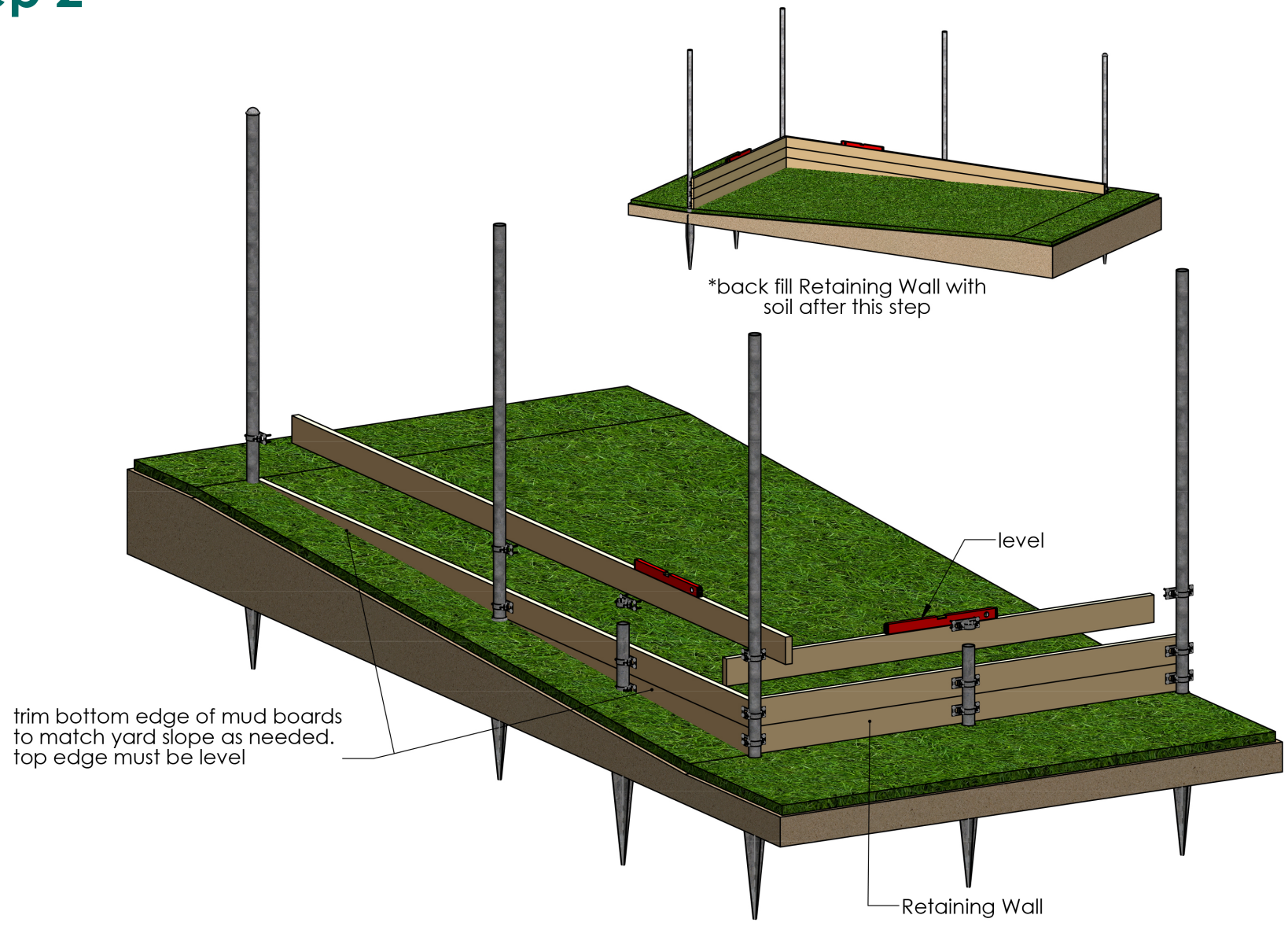
Step 1



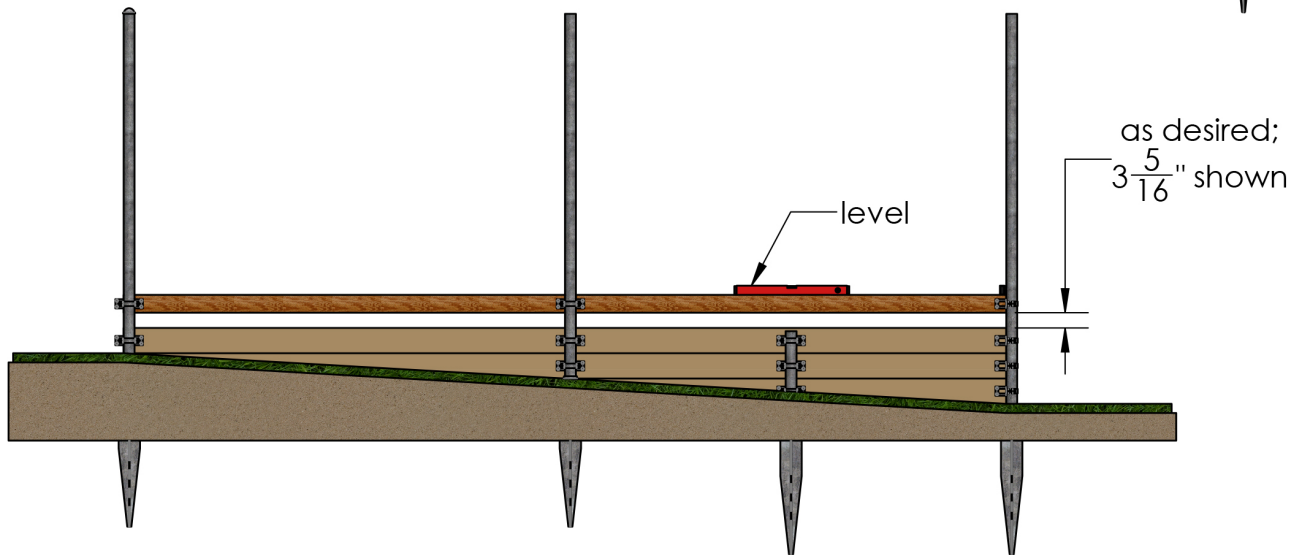
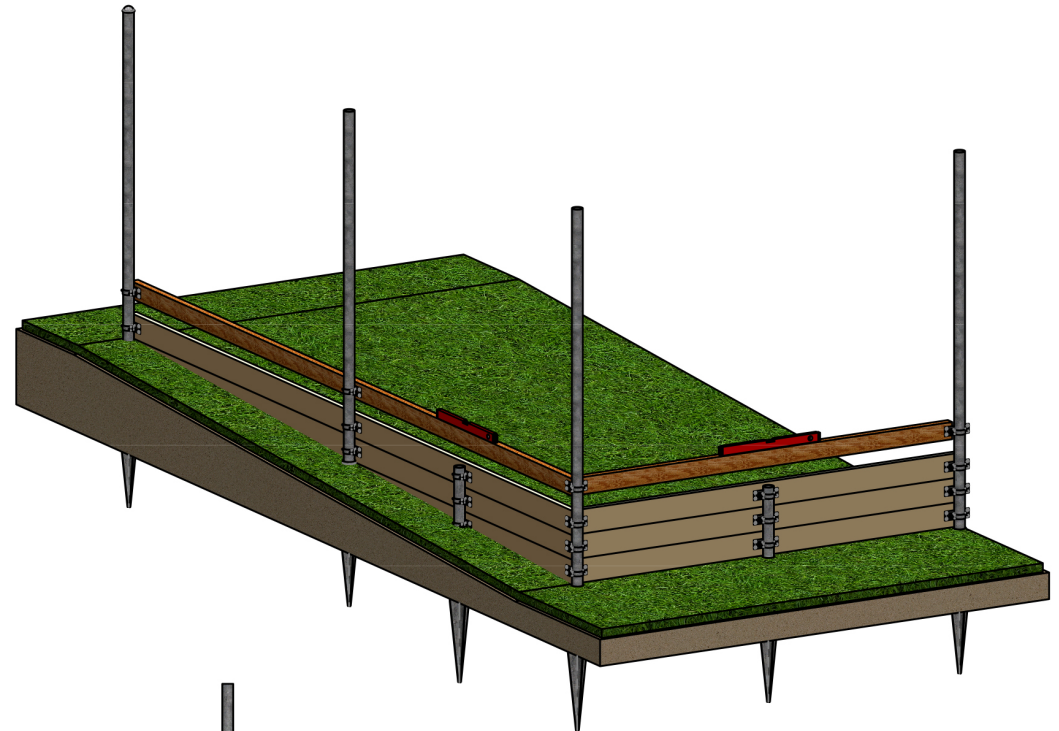
assemble step 1 referencing
Installation Instructions, 30040



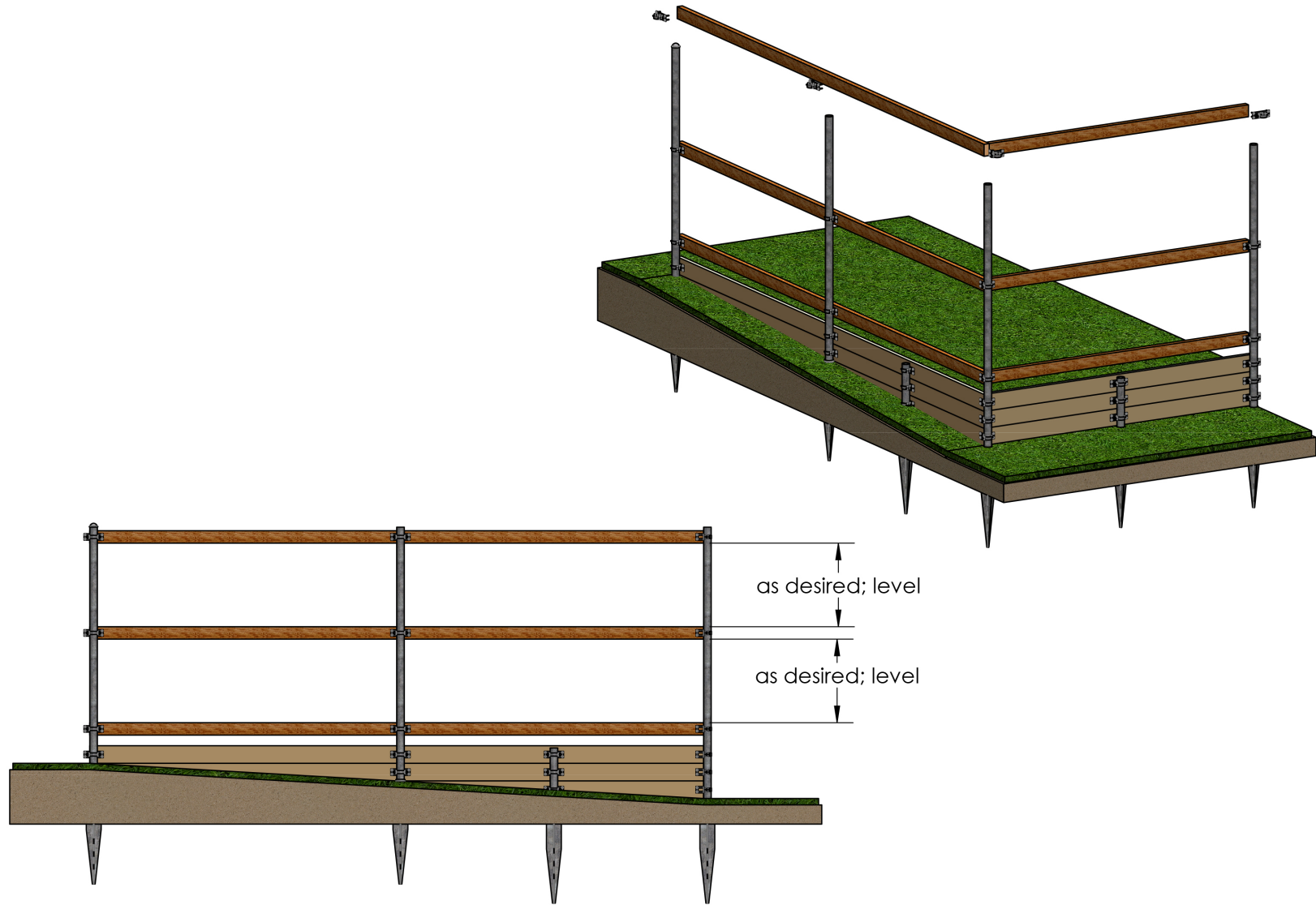
Step 2



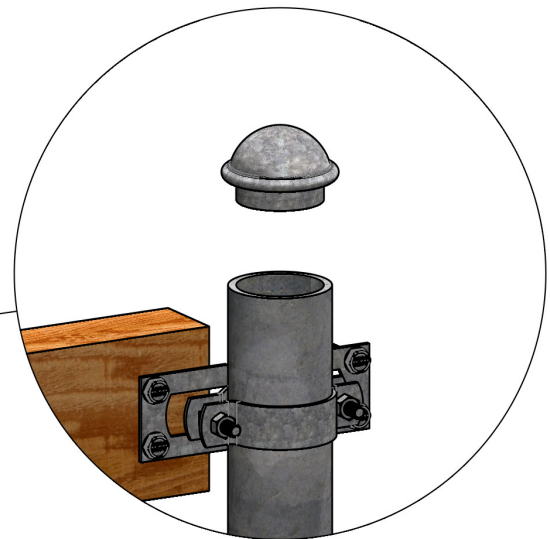
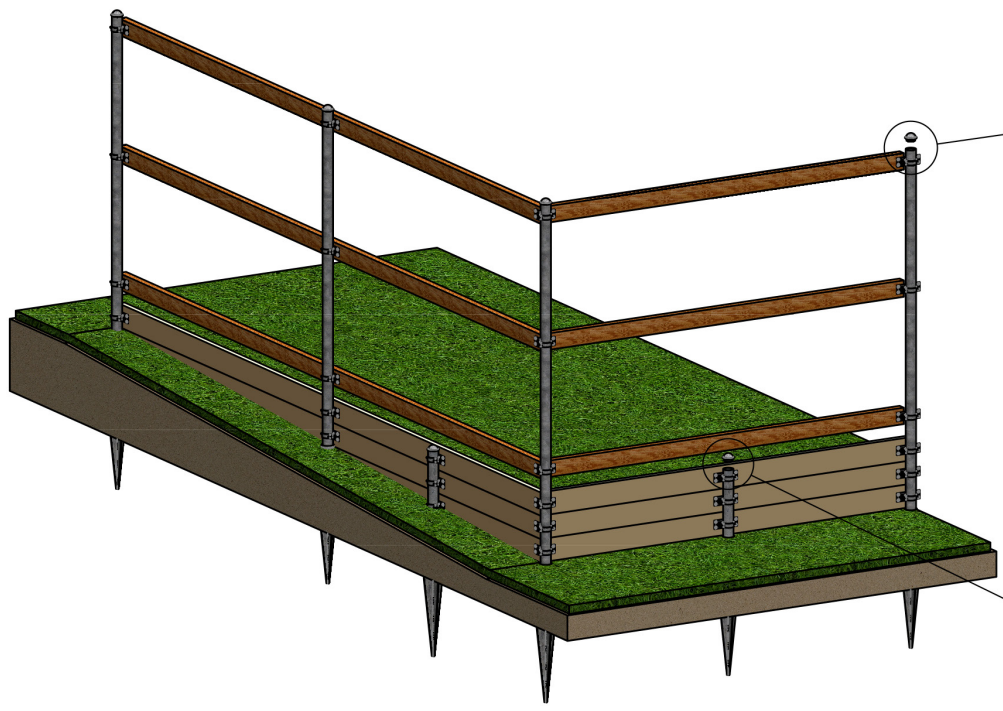
Step 3



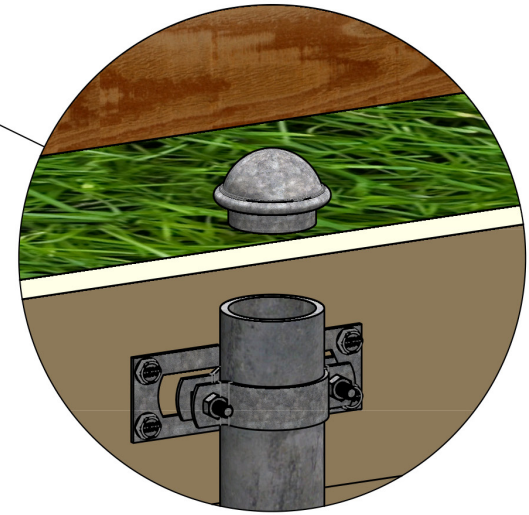
Step 4



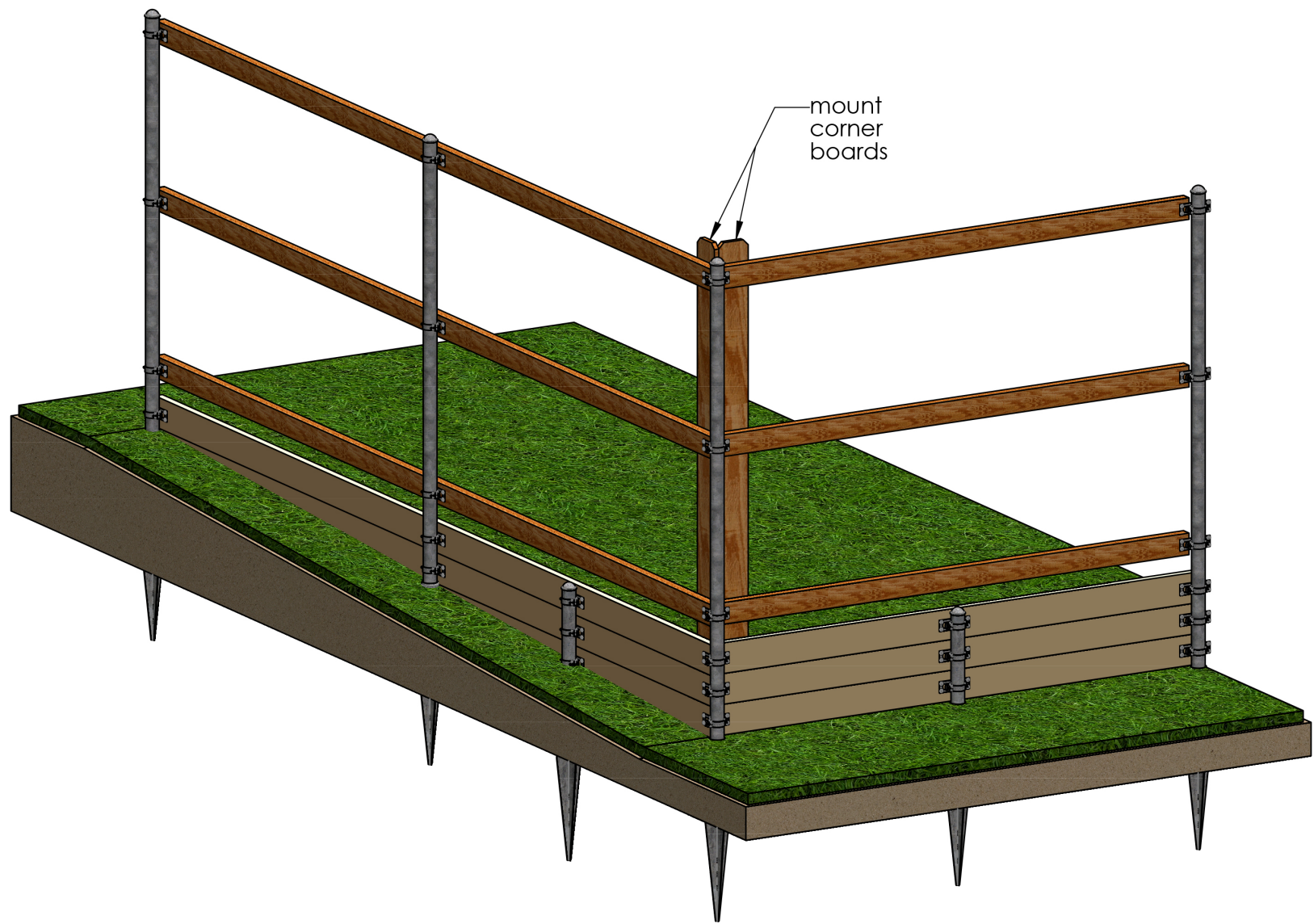
Step 5



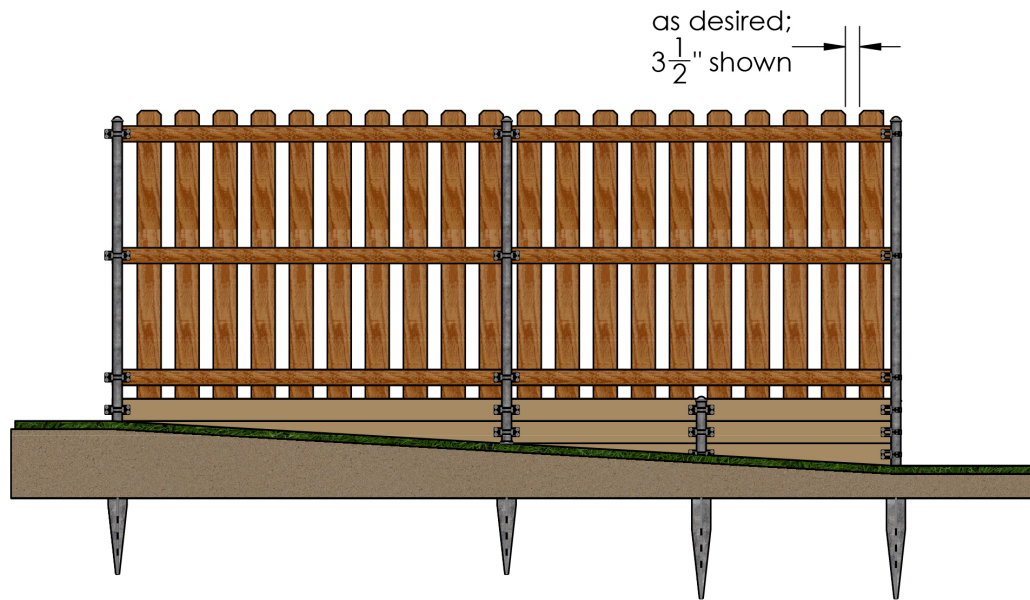
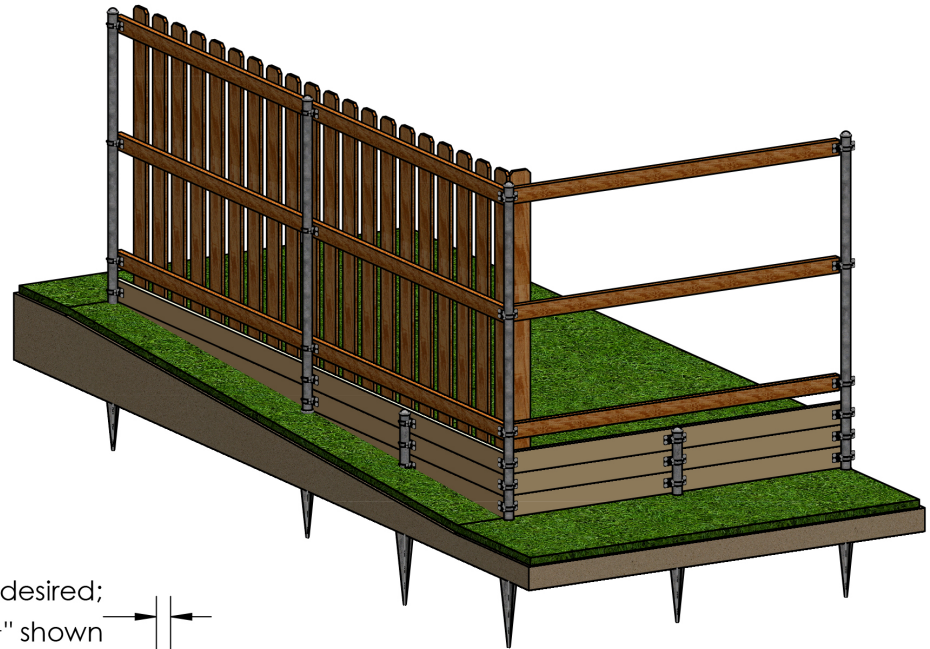
trim post(s) as desired;
install caps



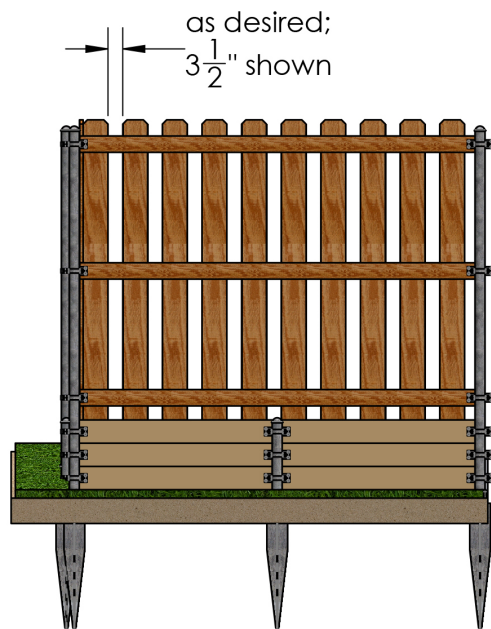
Step 6



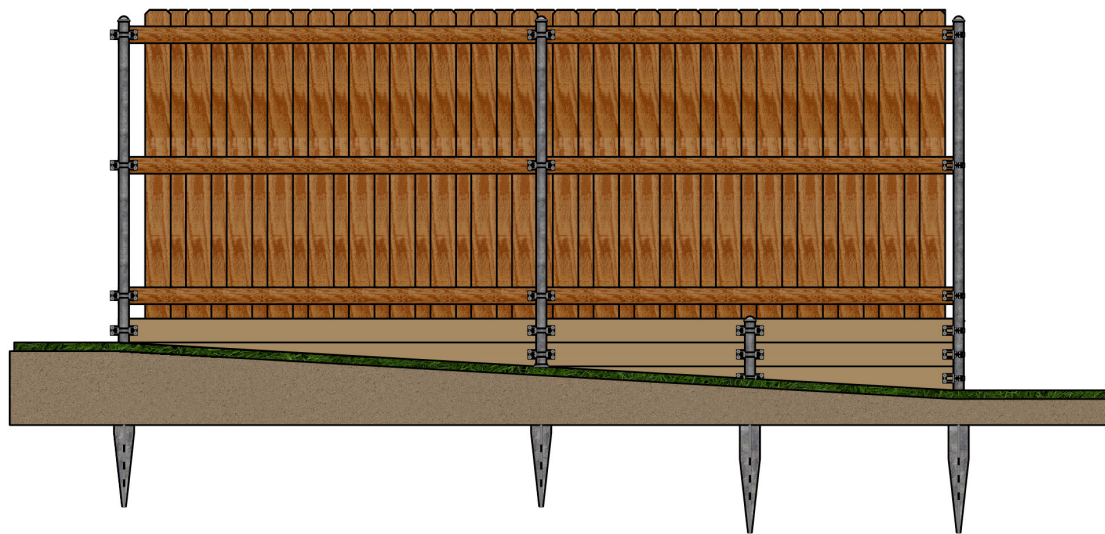
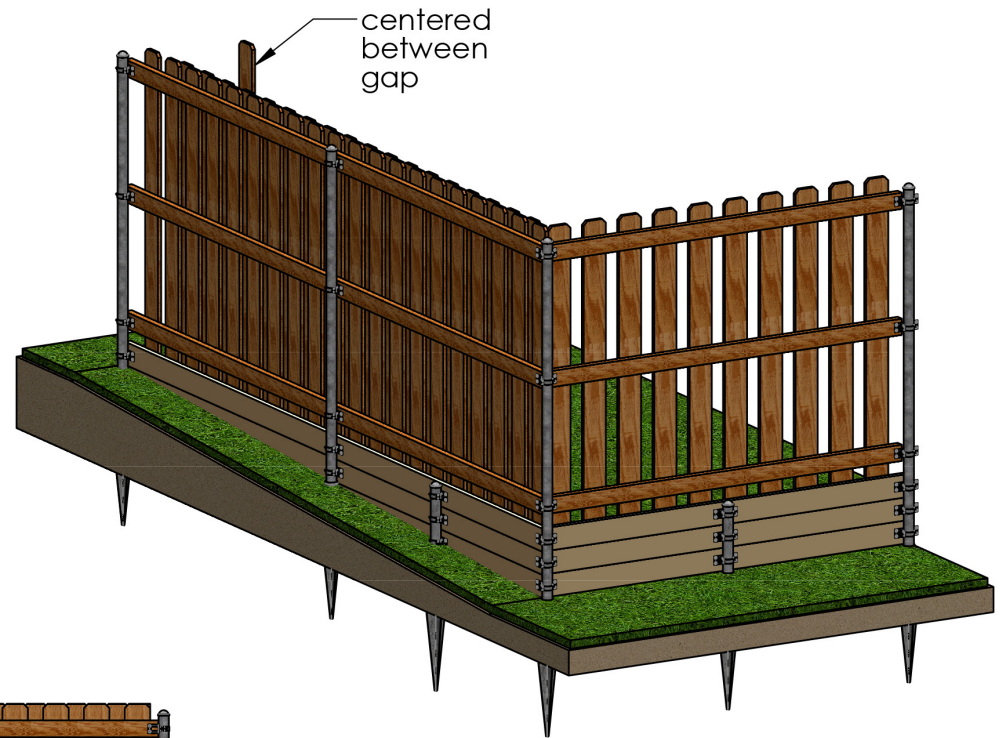
Step 7



Step 8



Step 9



Step 10

