

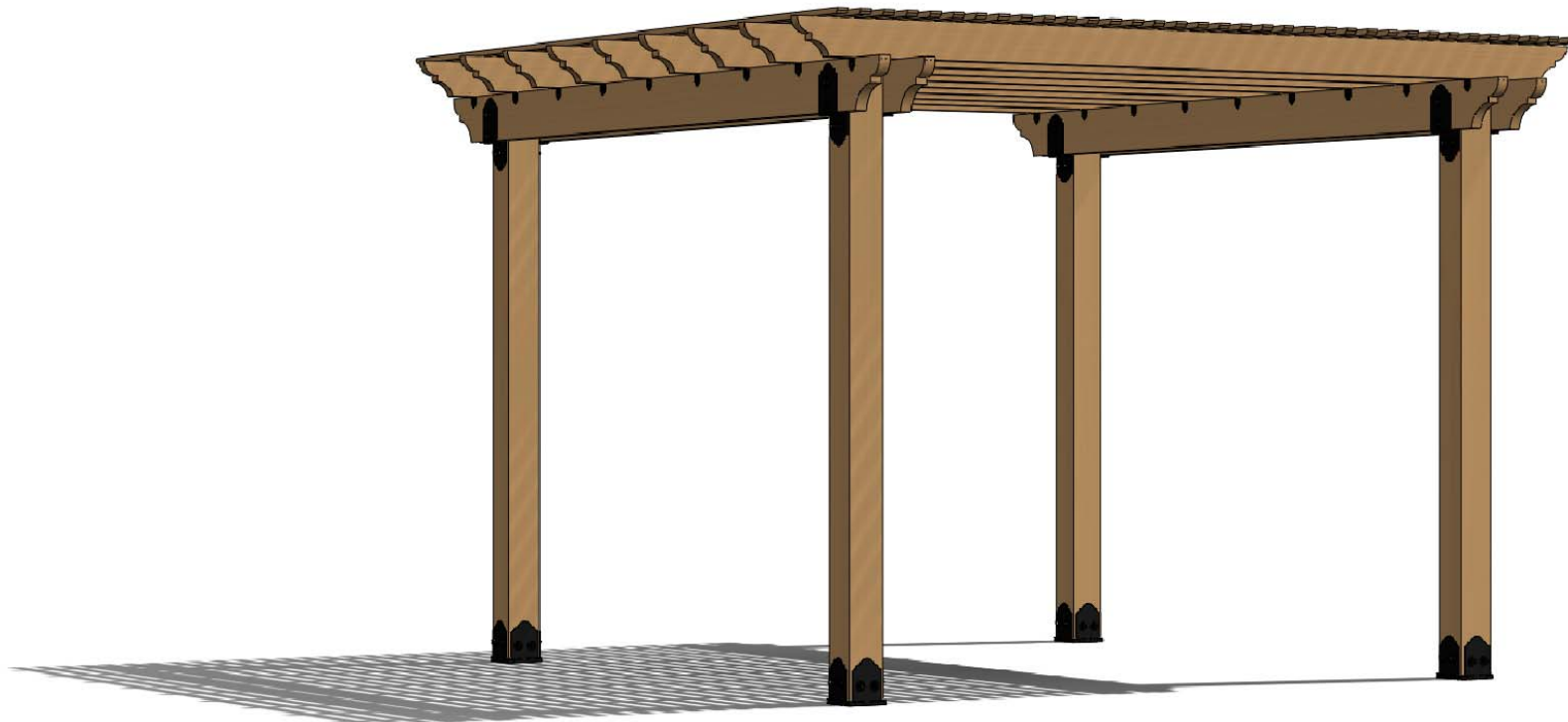
**DESIGN**

**PURCHASE**

**CONSTRUCT**

**ENJOY**

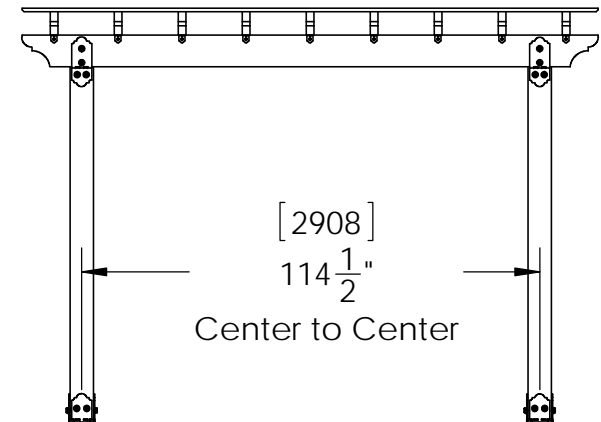
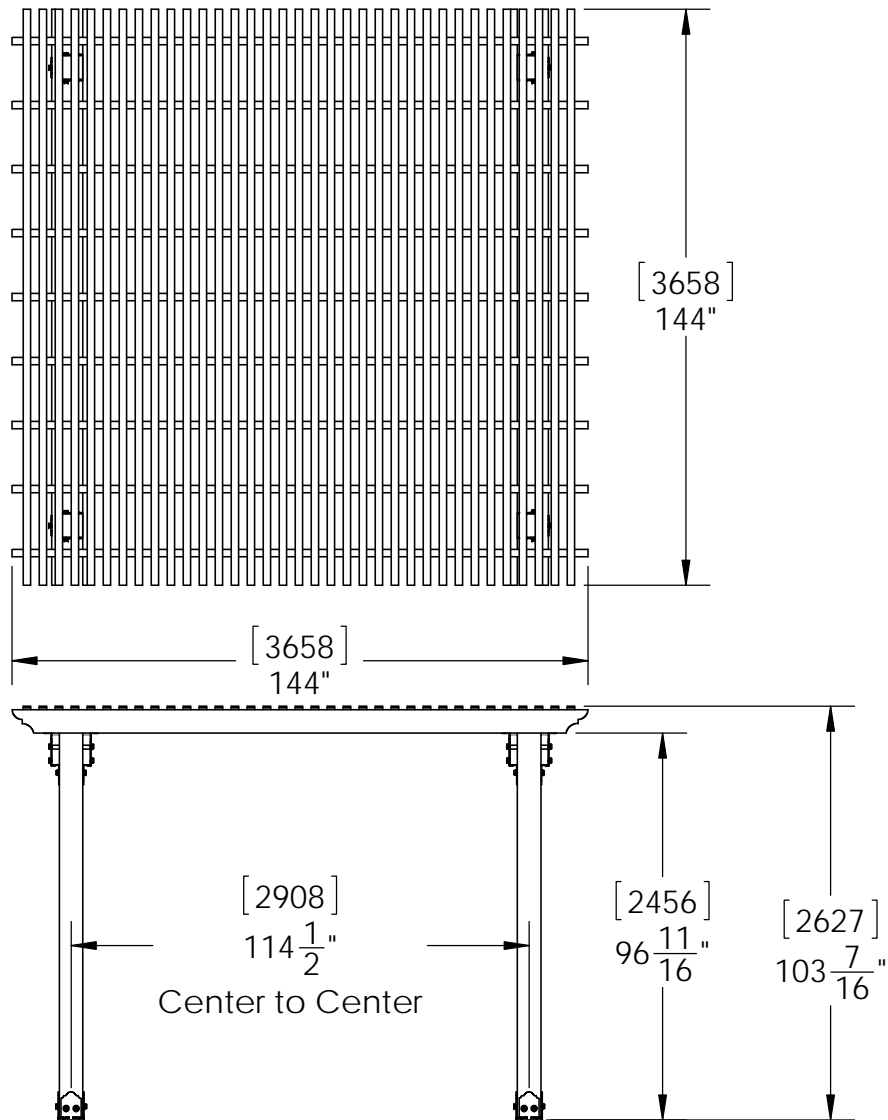
## Project 320 Pergola Cedar Wood Patio Shade Structure - Free Standing



**OZCO** BUILDING PRODUCTS

**Project 320 Pergola Cedar Wood Patio Shade Structure - Free Standing**

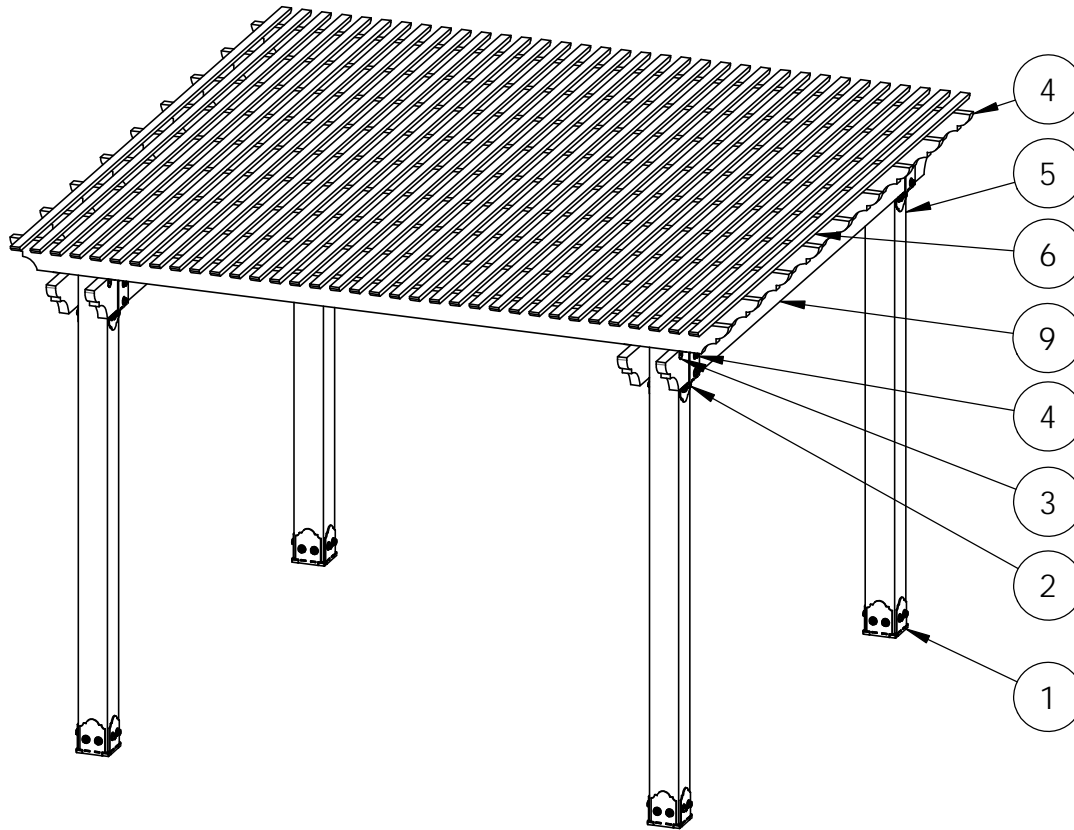
V1.00 - Installation Instructions effective May 1, 2015 and reflects information that available as of April 10, 2014. This information is updated periodically and should not be relied upon after May 1, 2015. Please visit [www.OZCOBP.com](http://www.OZCOBP.com) to get current information



## Overview

**Project 320 Pergola Cedar Wood Patio Shade Structure - Free Standing**

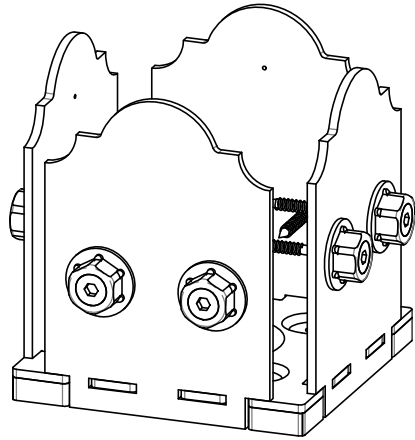
V1.00 - Installation Instructions effective May 1, 2015 and reflects information that available as of April 10, 2014. This information is updated periodically and should not be relied upon after May 1, 2015. Please visit [www.OZCOBP.com](http://www.OZCOBP.com) to get current information



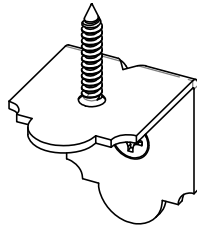
ITEM NO.	QTY.	PART NUMBER	DESCRIPTION
1	4	56608	Assembly, 6x6 Post Base
2	4	56637	Post to Beam Bolt Inline
3	4	56617	2" Standard Rafter Clip
4	9	2x6x12 Cedar Board	Rafter
5	4	6x6 Cedar Post	6x6x96"
6	35	1x2 Cedar Board	Purlins
7	-	-	3" Screws or Nails (not shown)
8	4	56651	OWT Timber Bolt 8-10"
9	4	2x8 Cedar Board	2x8x144"

## Bill of Material

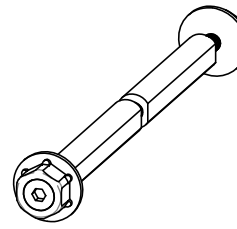
Project 320 Pergola Cedar Wood Patio Shade Structure - Free Standing



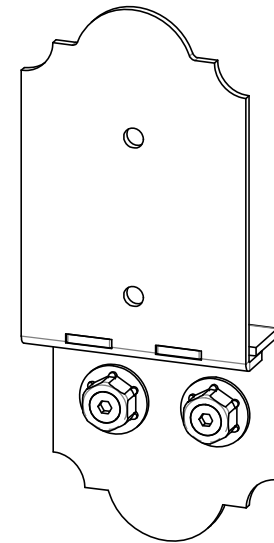
56608



56617



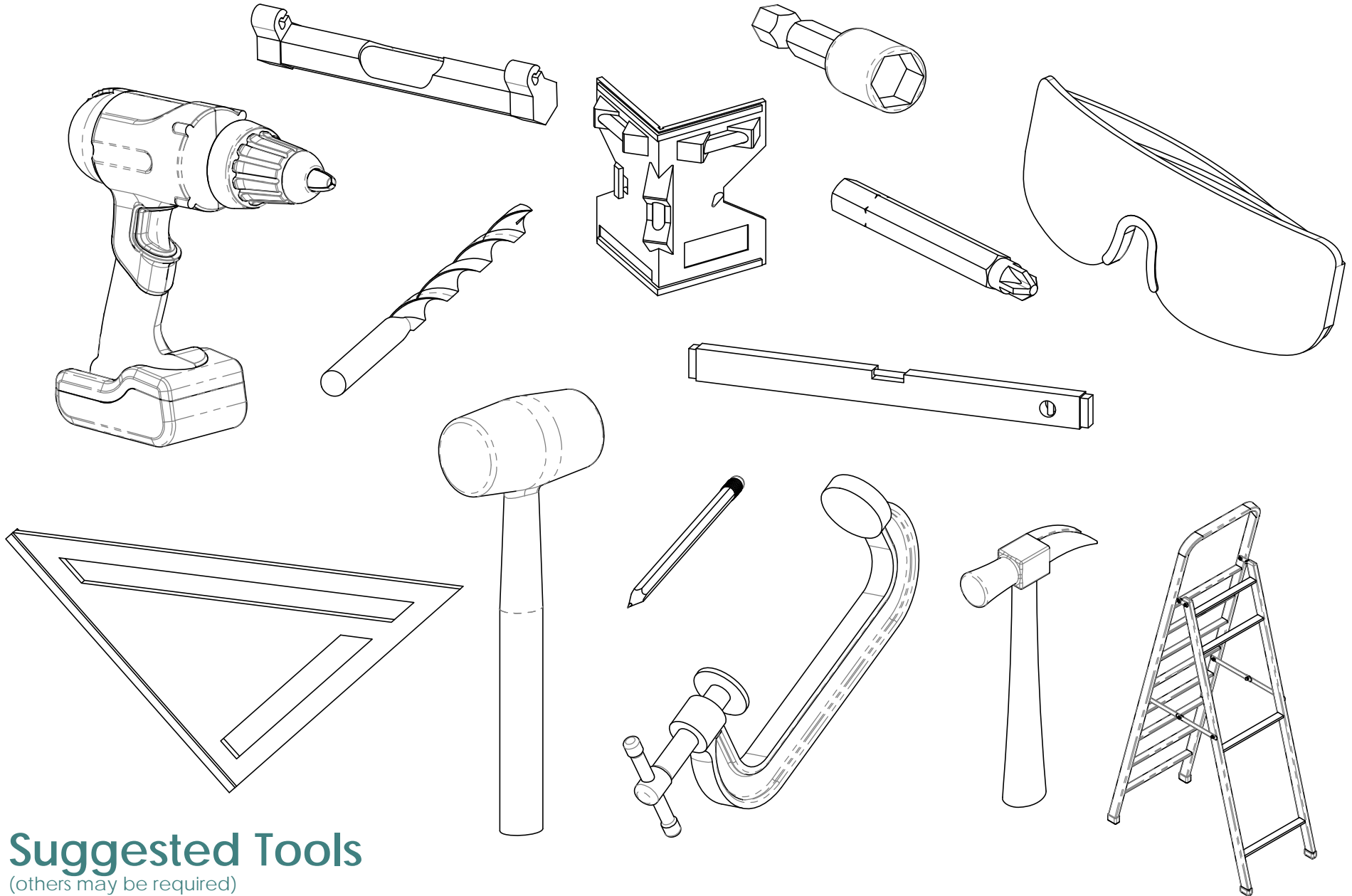
56651



56637



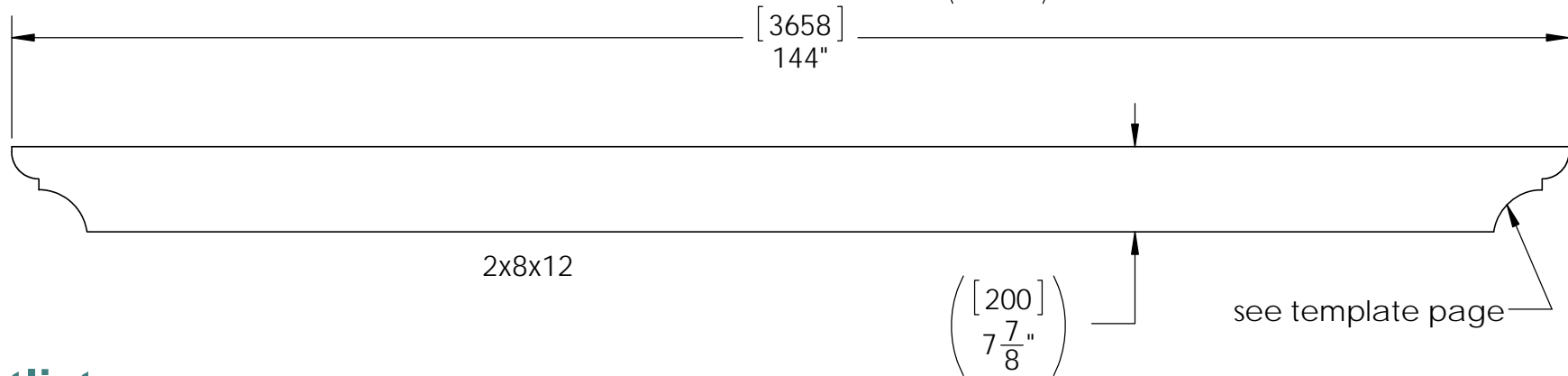
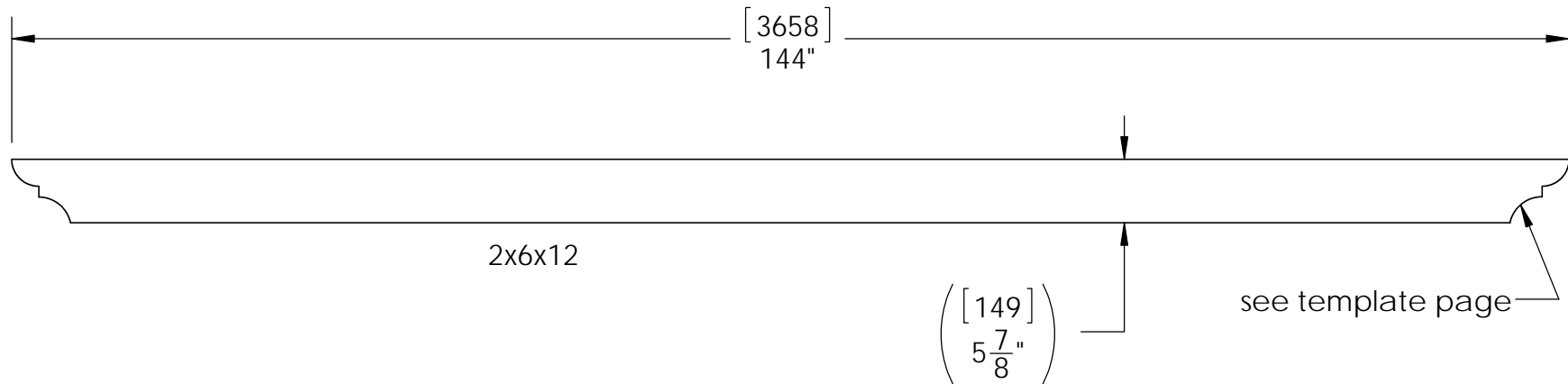
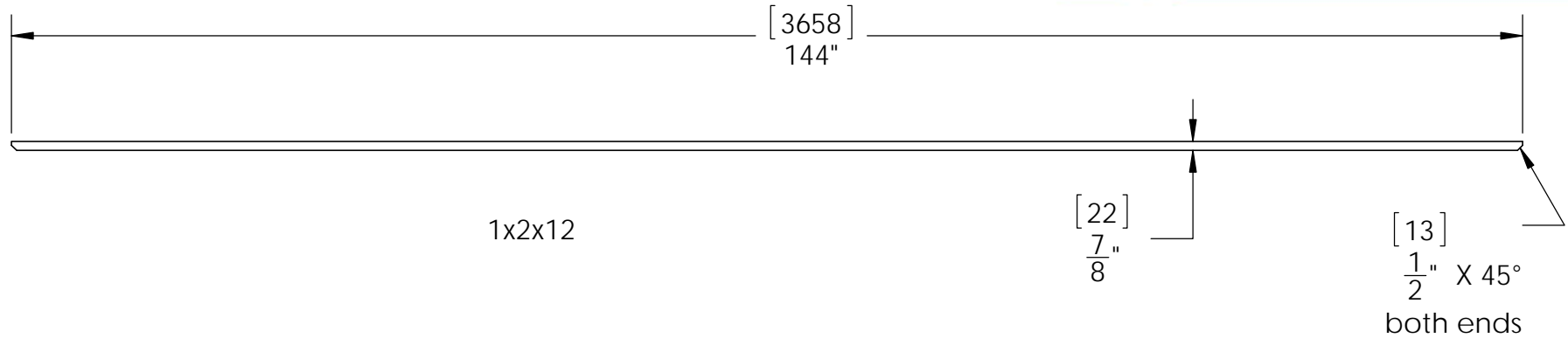
install Ozco product with  
instructions provided in packaging



## Suggested Tools

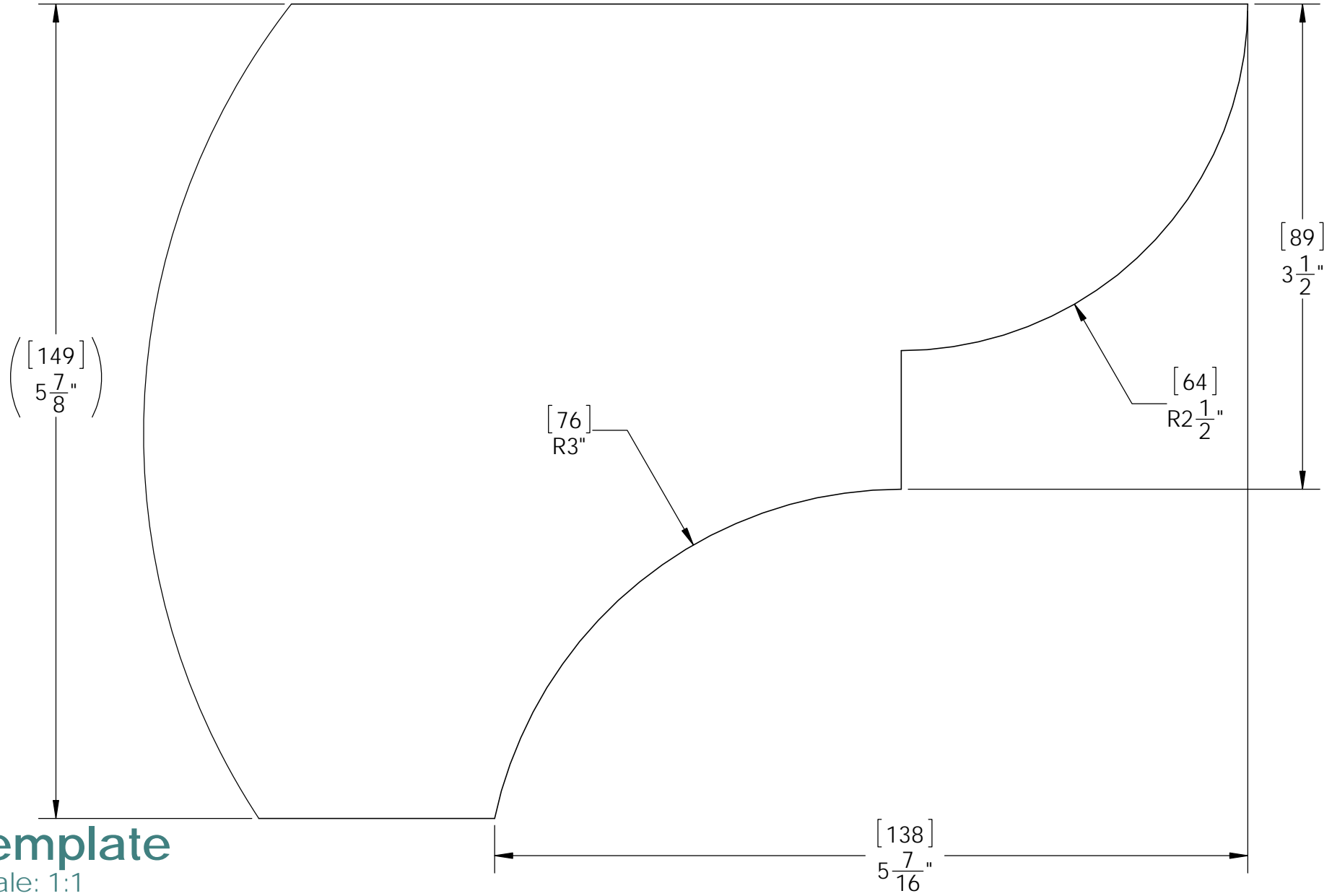
(others may be required)

**Project 320 Pergola Cedar Wood Patio Shade Structure - Free Standing**



## Cutlist

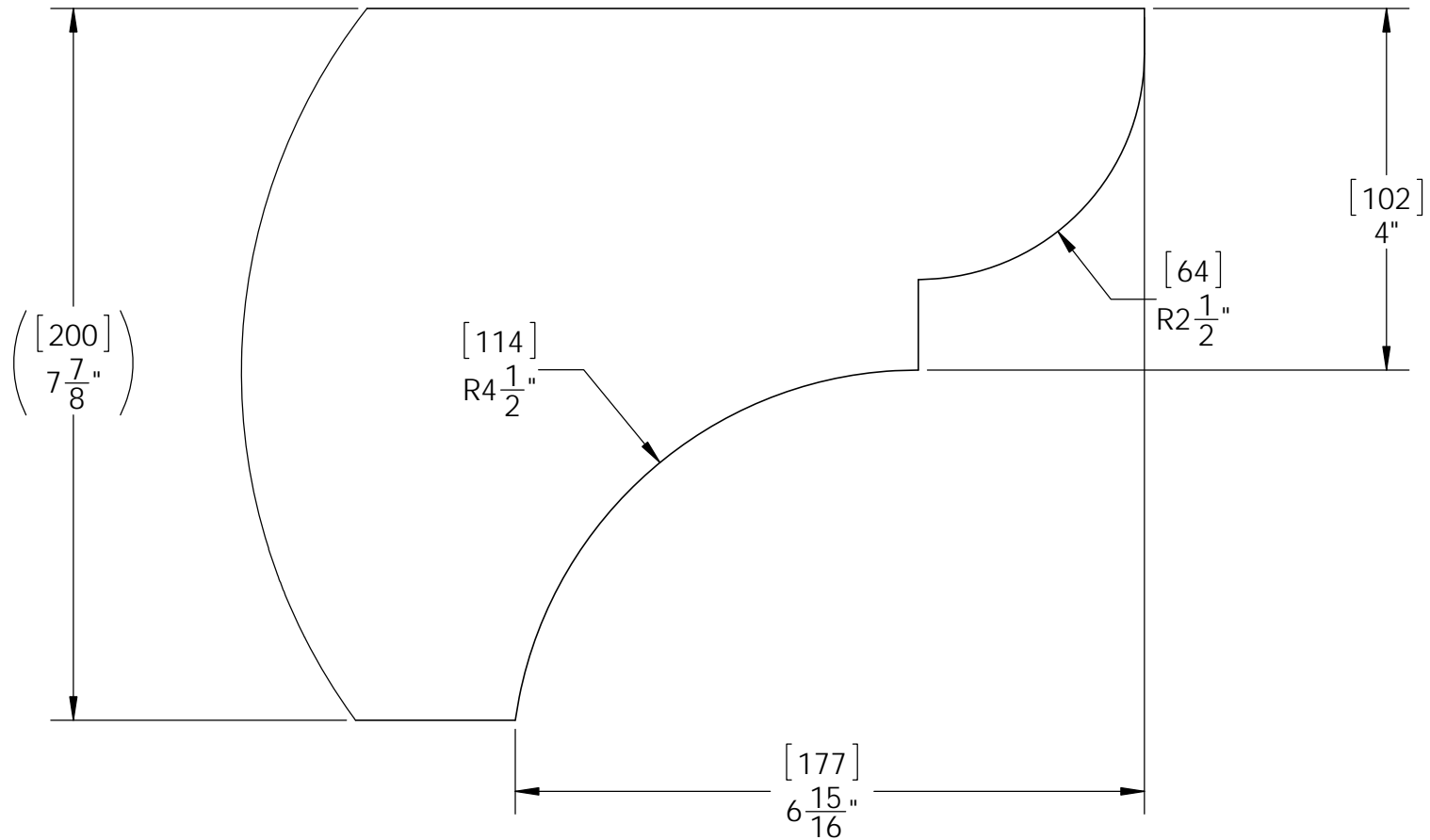
Project 320 Pergola Cedar Wood Patio Shade Structure - Free Standing



**Template**  
scale: 1:1

**Project 320 Pergola Cedar Wood Patio Shade Structure - Free Standing**

V1.00 - Installation Instructions effective May 1, 2015 and reflects information that available as of April 10, 2014. This information is updated periodically and should not be relied upon after May 1, 2015. Please visit [www.OZCOBP.com](http://www.OZCOBP.com) to get current information

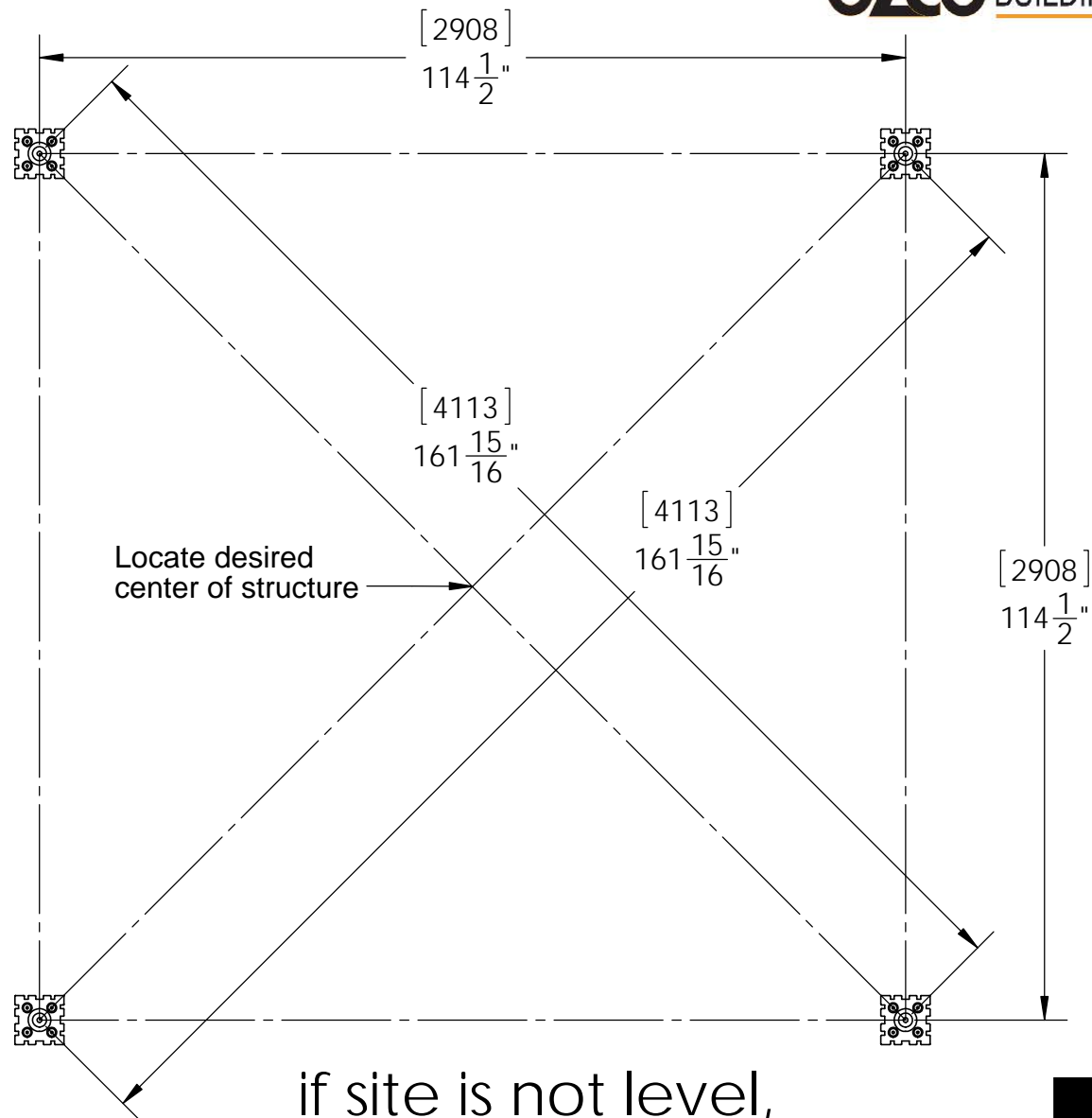


# Template

scale: 1:2

**Project 320 Pergola Cedar Wood Patio Shade Structure - Free Standing**



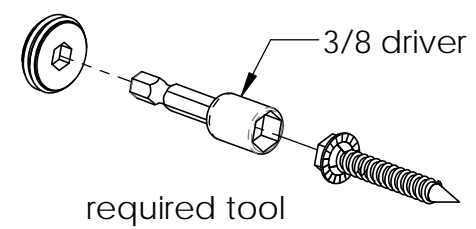
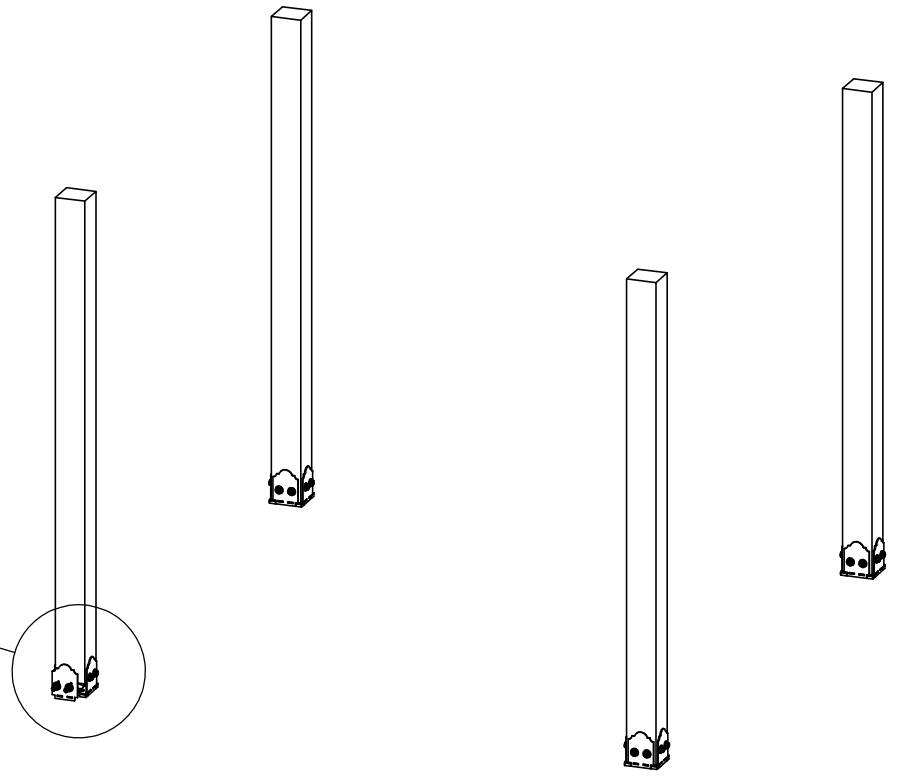
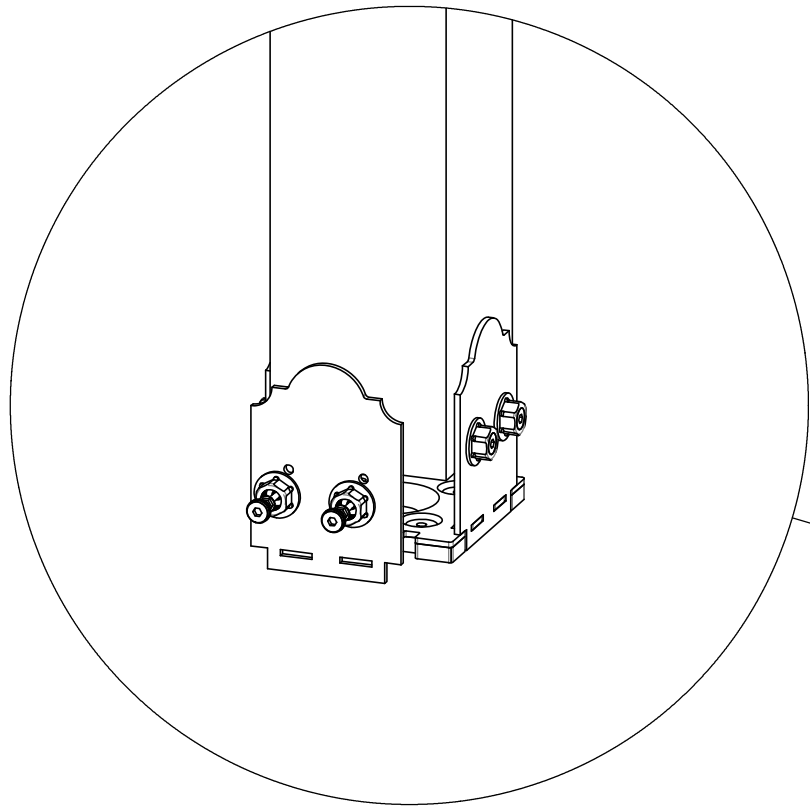


if site is not level,  
see Ozco Site Leveling instruction



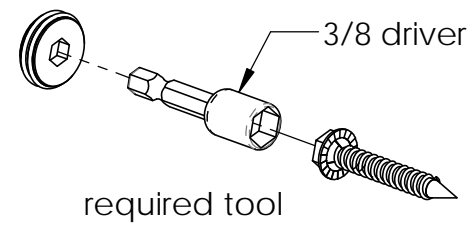
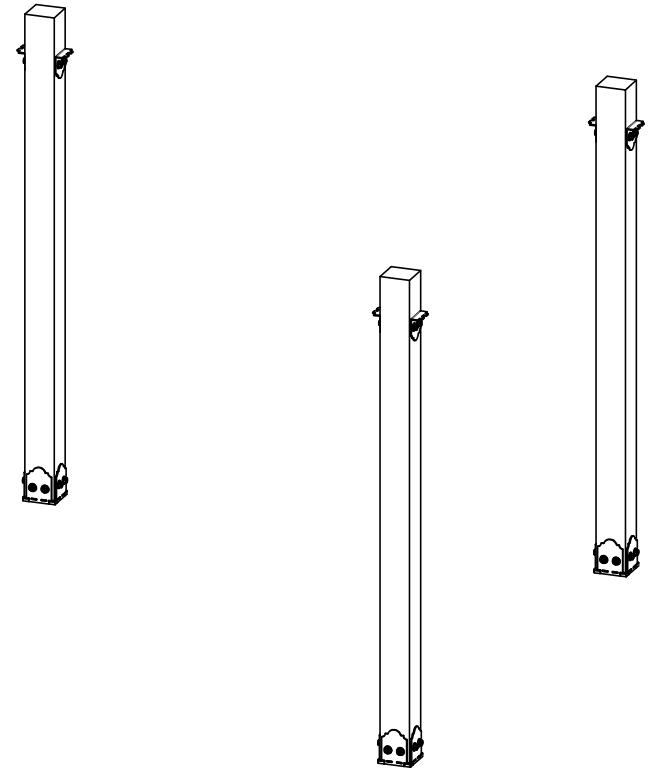
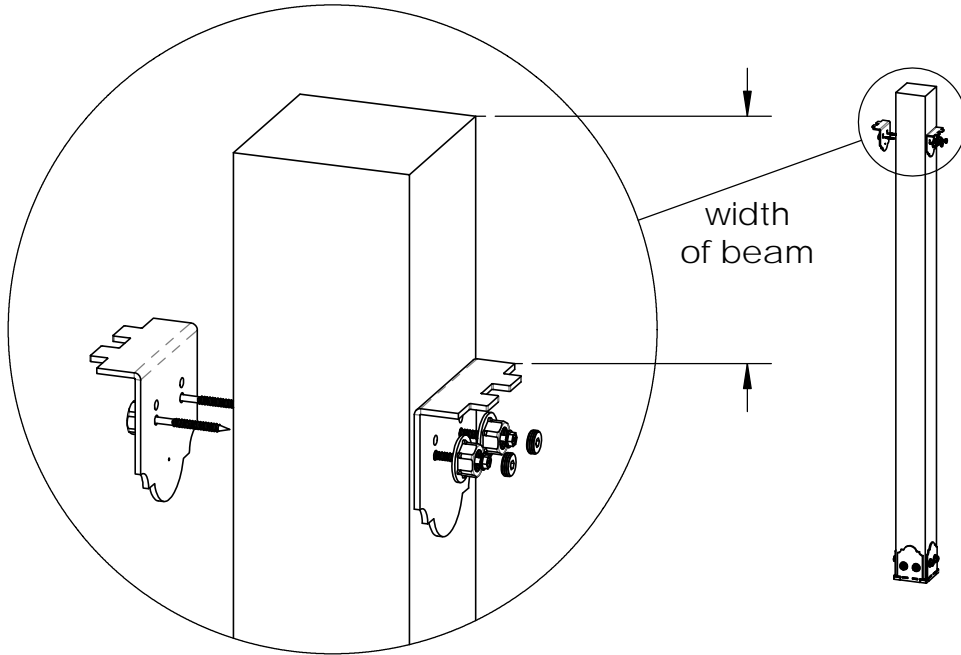
**site plan**

**Project 320 Pergola Cedar Wood Patio Shade Structure - Free Standing**



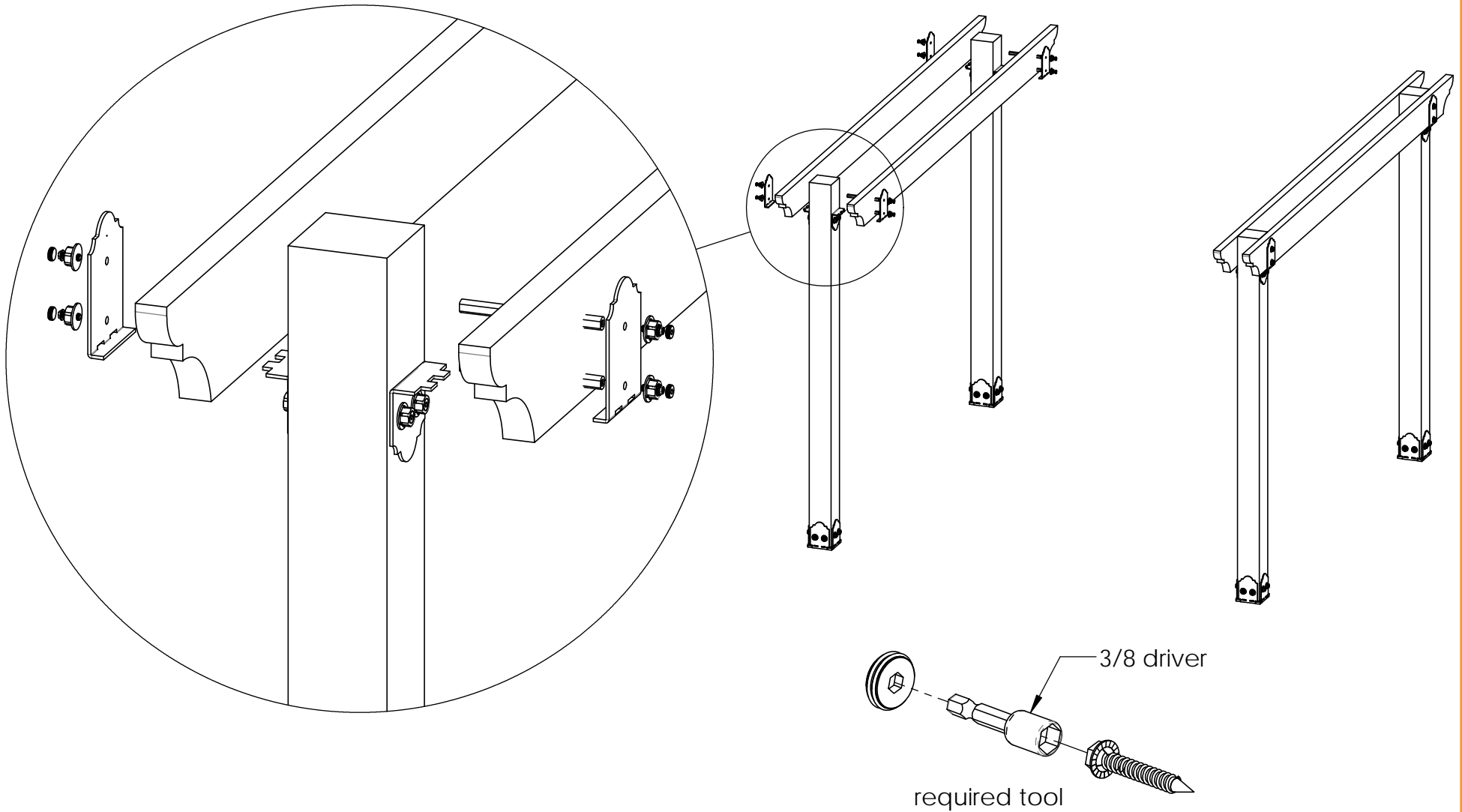
# step 1

**Project 320 Pergola Cedar Wood Patio Shade Structure - Free Standing**



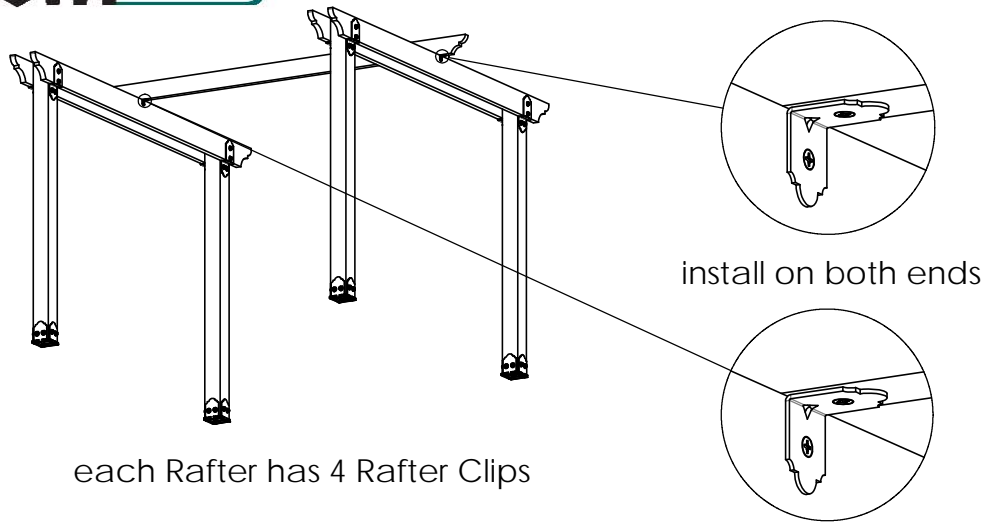
## step 2

**Project 320 Pergola Cedar Wood Patio Shade Structure - Free Standing**

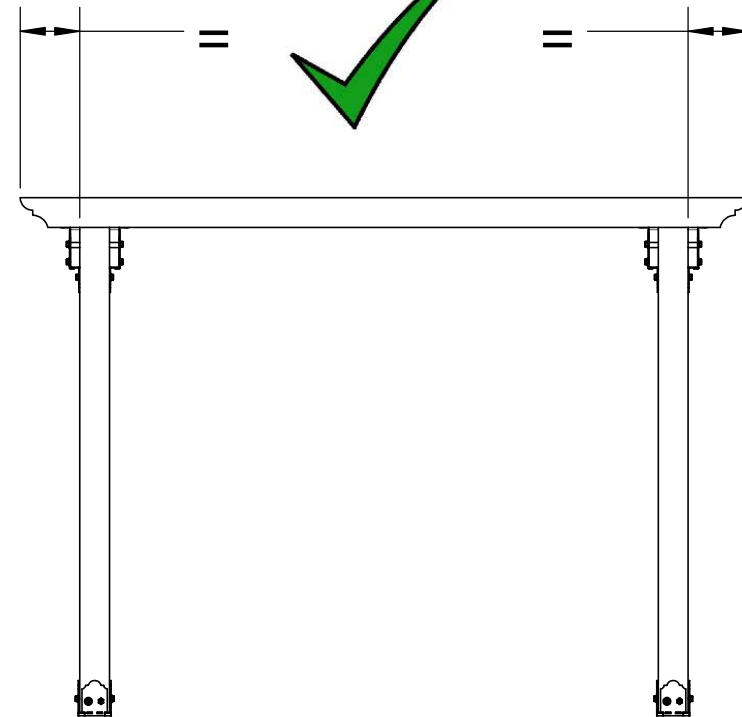
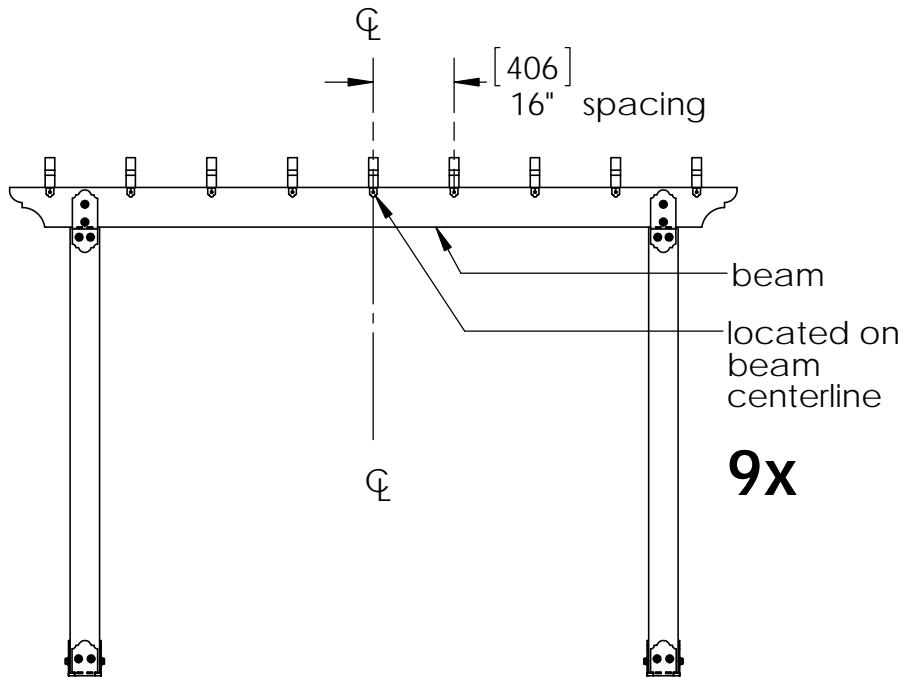
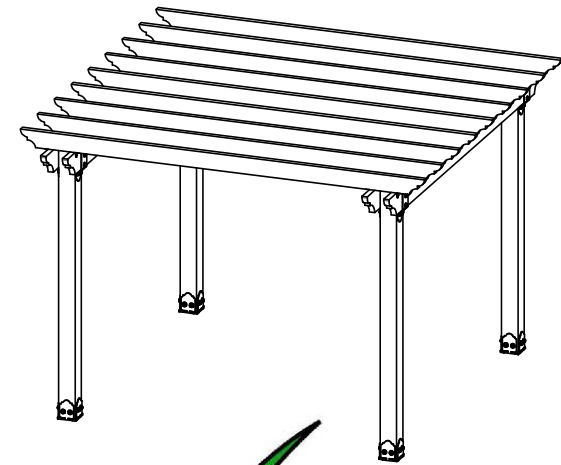


### step 3

**Project 320 Pergola Cedar Wood Patio Shade Structure - Free Standing**

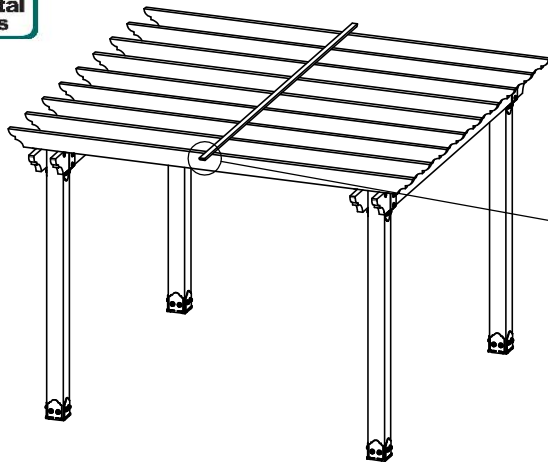


each Rafter has 4 Rafter Clips

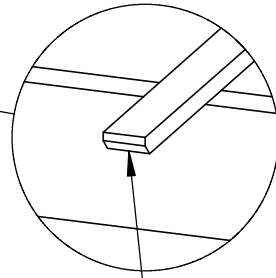


**step 4**

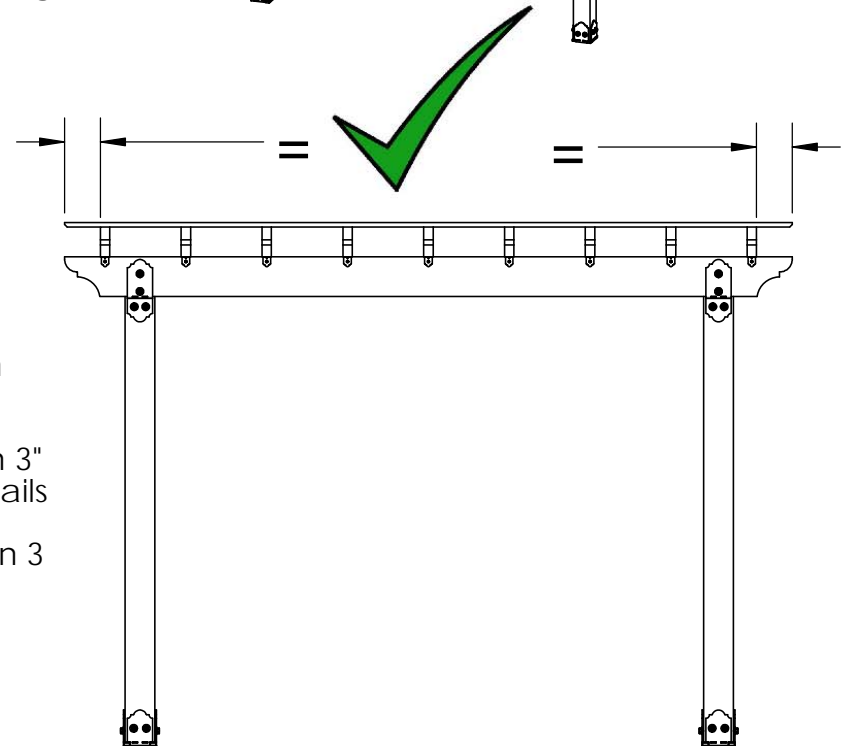
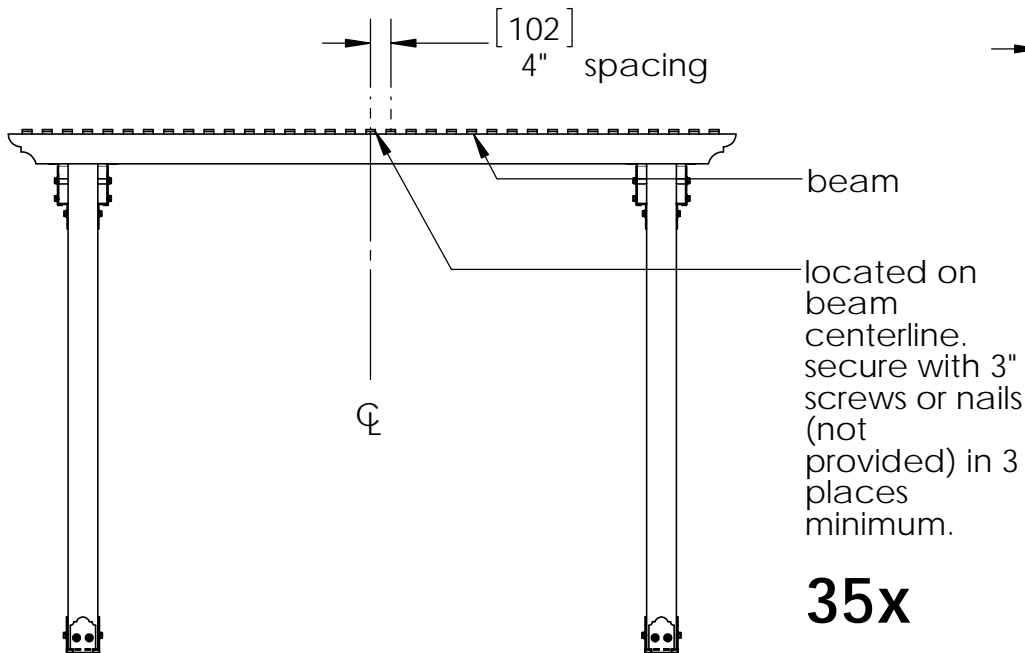
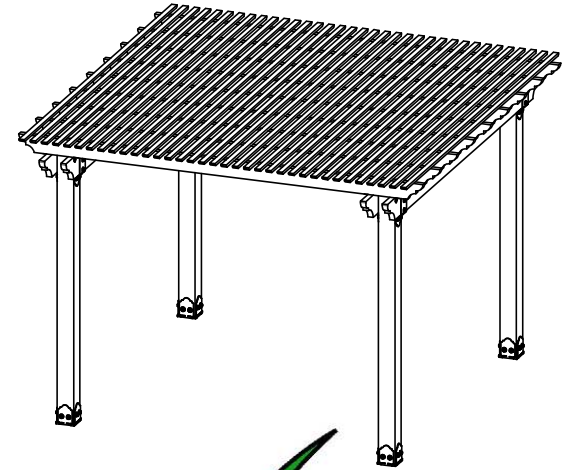
**Project 320 Pergola Cedar Wood Patio Shade Structure - Free Standing**



secure with nails or screws



note bevel edge



## step 5

Project 320 Pergola Cedar Wood Patio Shade Structure - Free Standing