

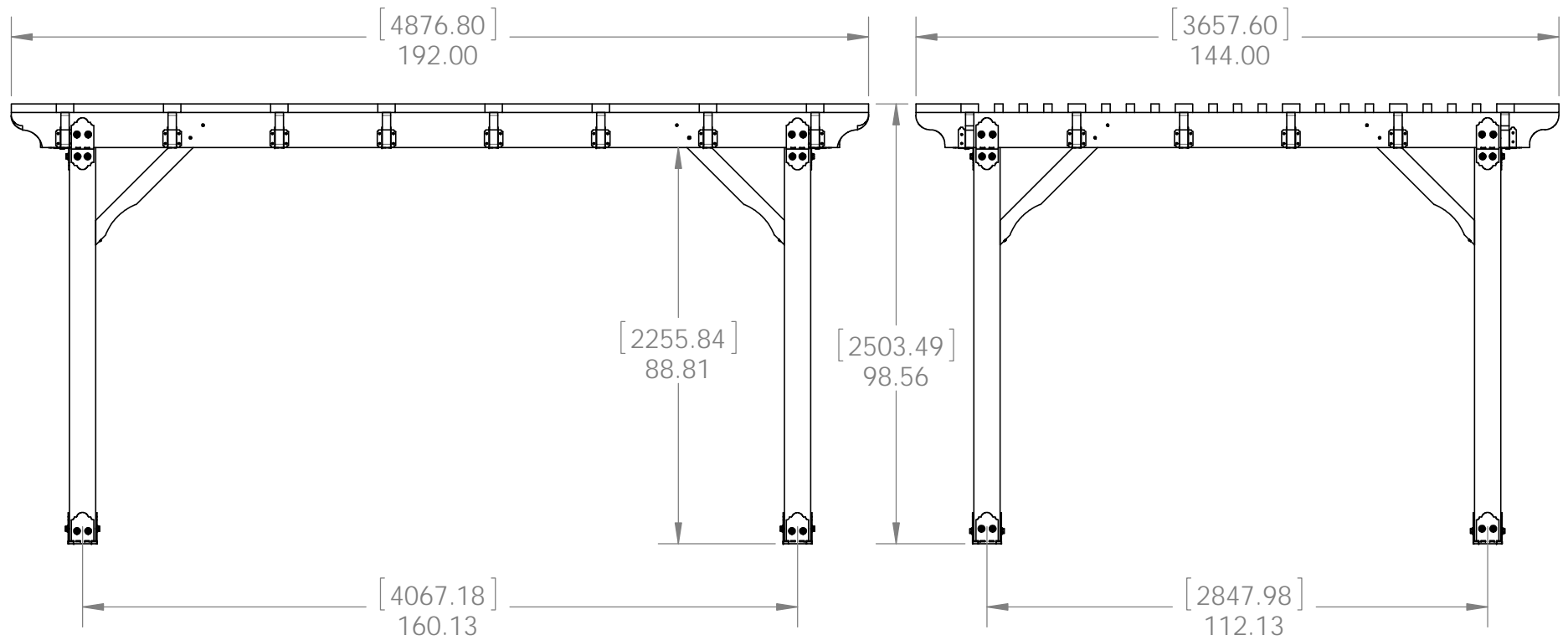
DESIGN

PURCHASE

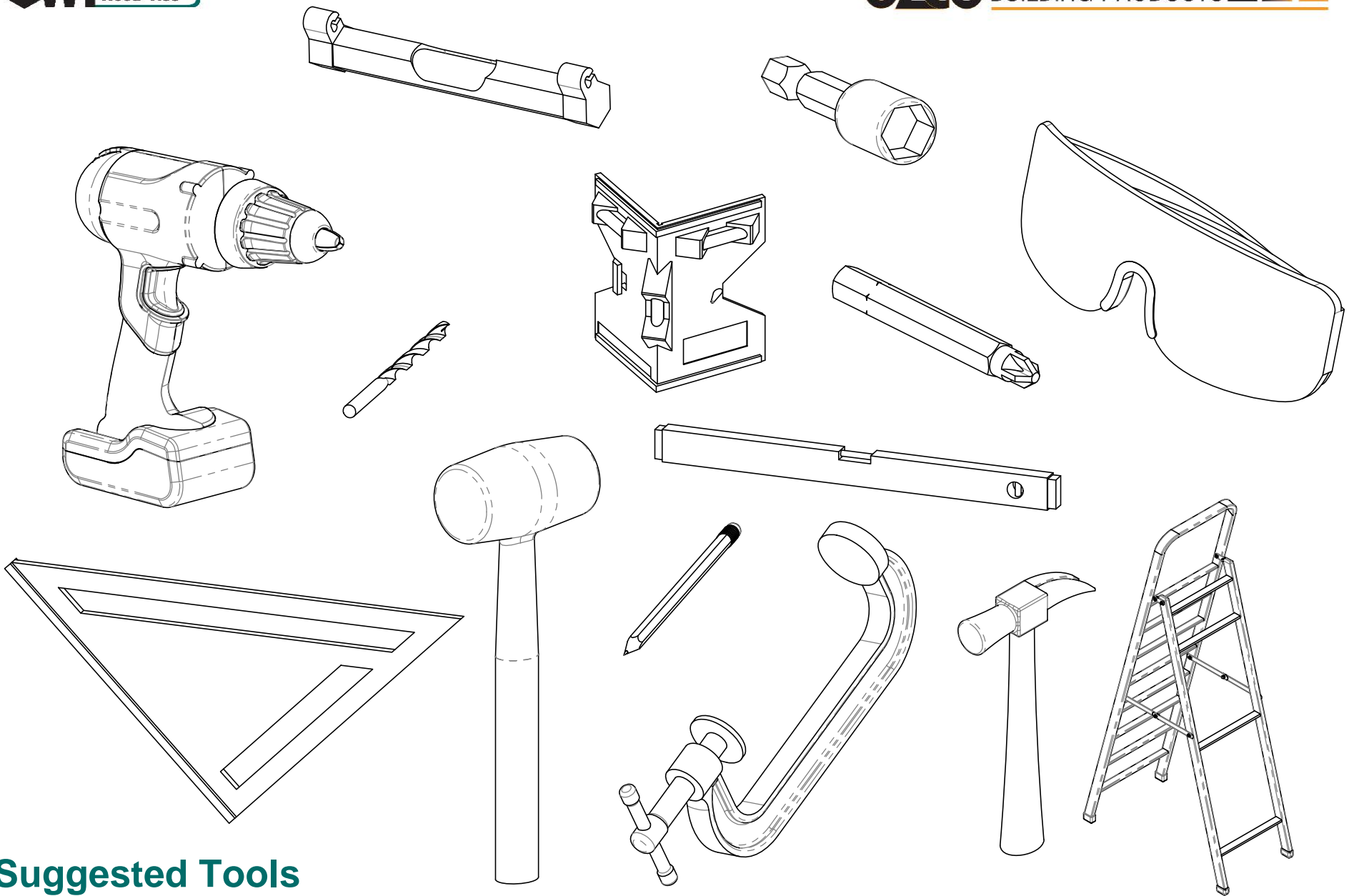
CONSTRUCT

ENJOY

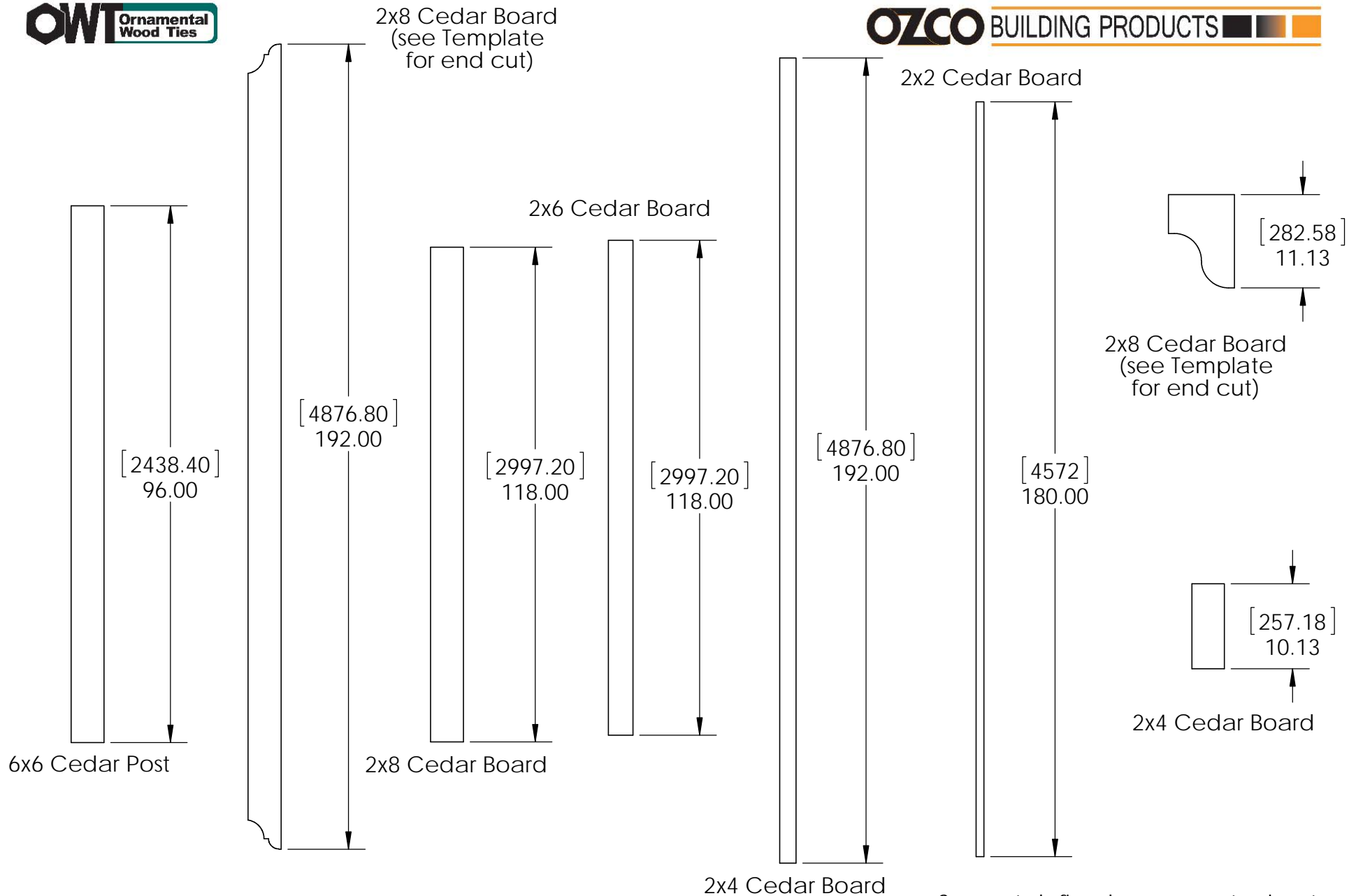
Project 325 DIY Vineyard Pergola Overview (12x16)



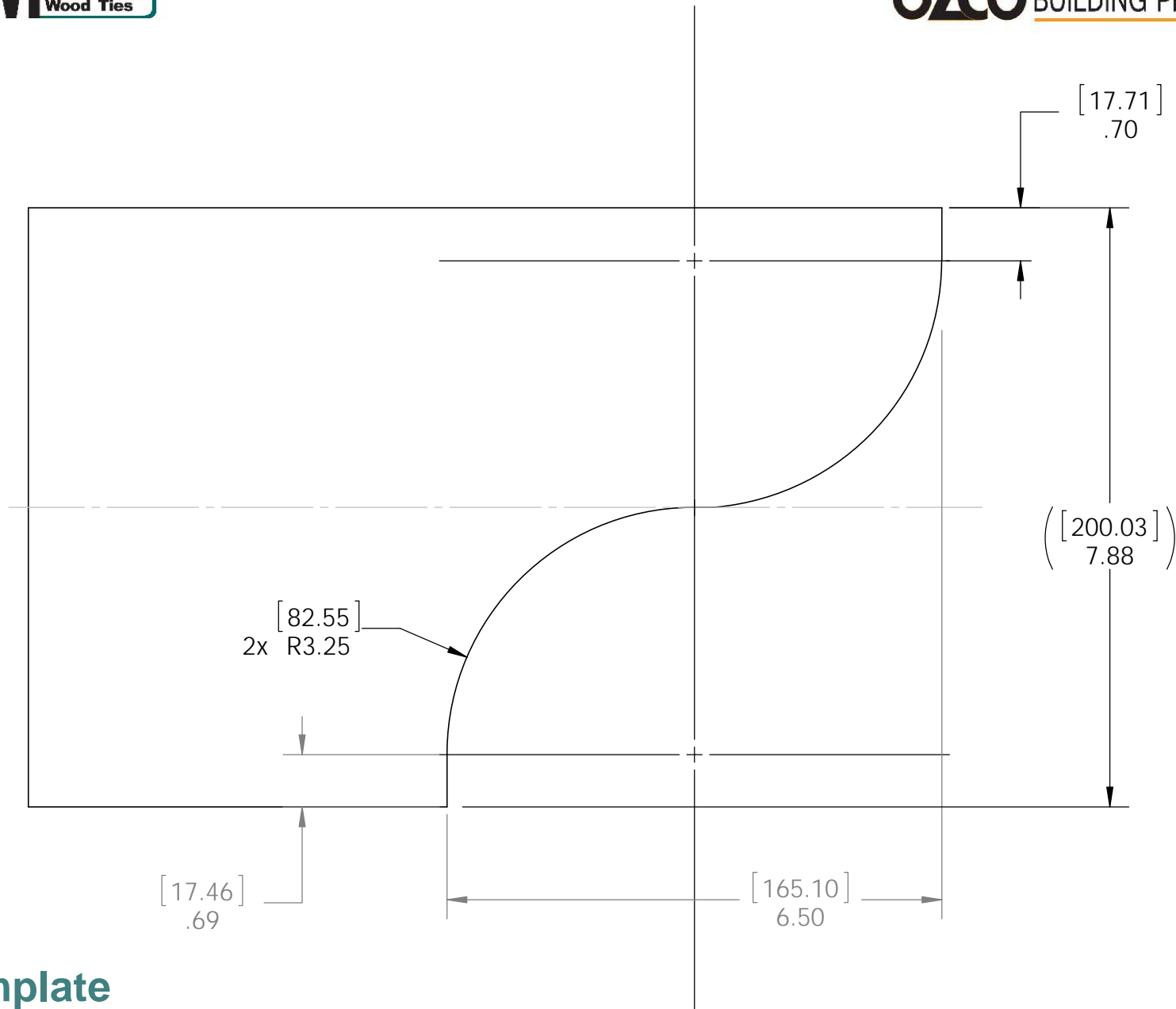
OZCO BUILDING PRODUCTS



Suggested Tools
(others may be required)

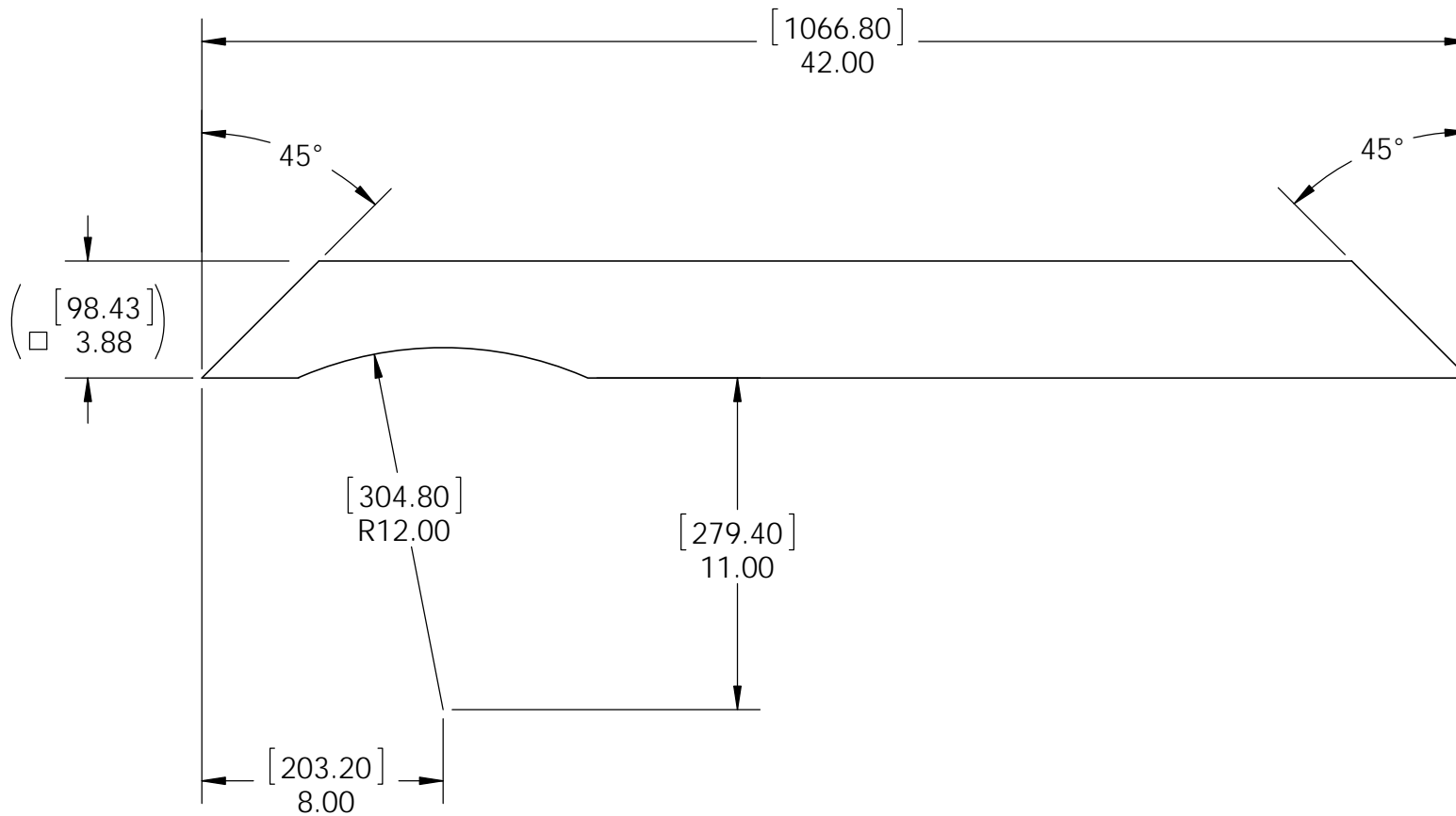


Project 325 DIY Vineyard Pergola (12x16) Cutlist



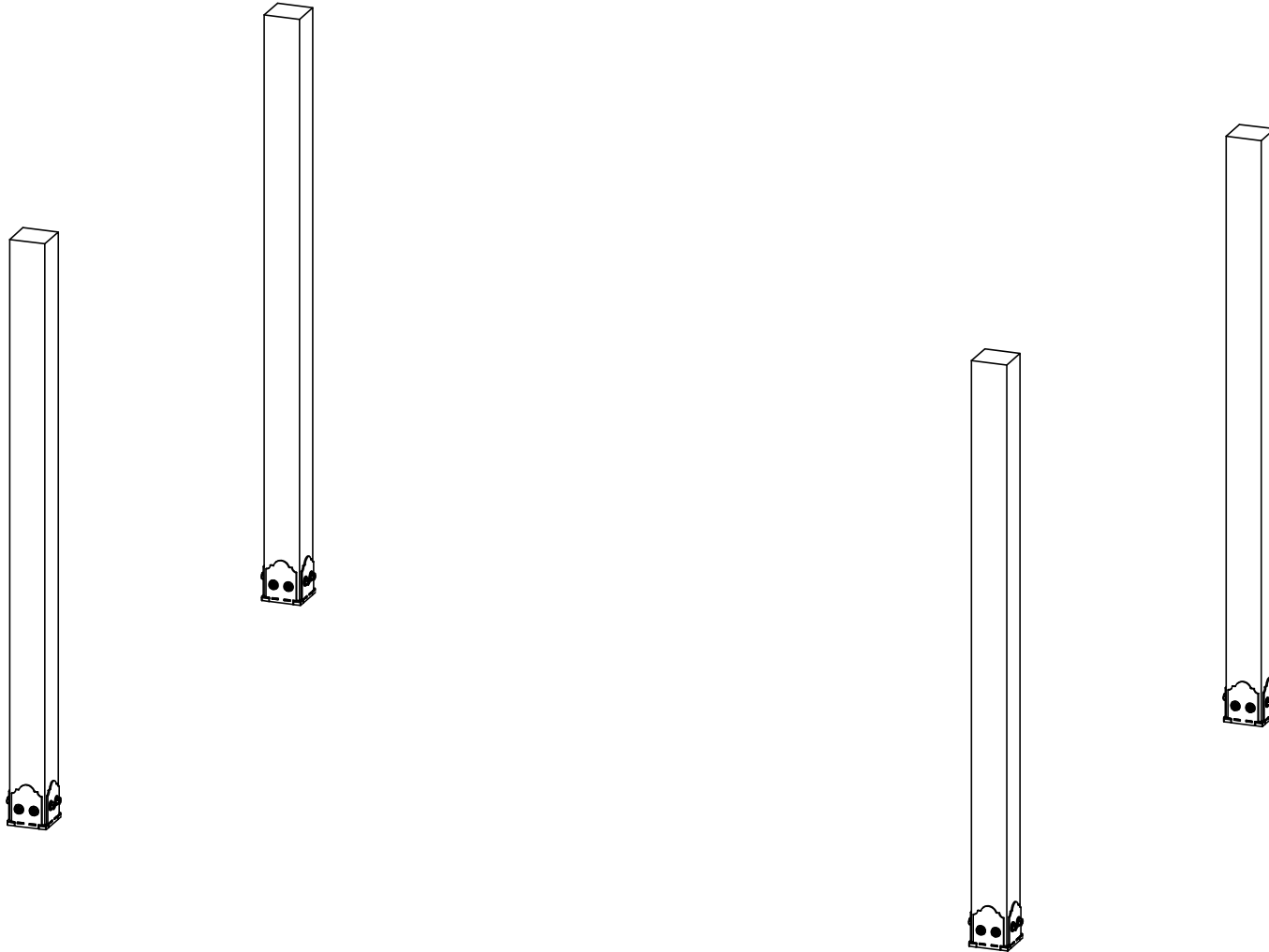
Template
(scale: 1/2)

DIY Vineyard Pergola Rafters



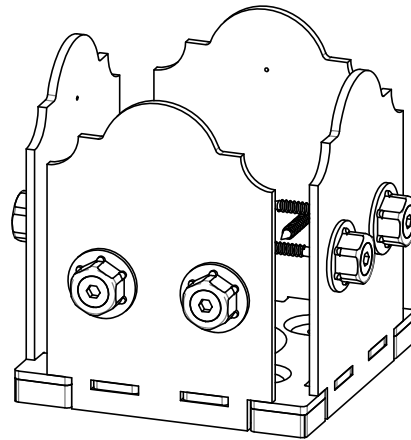
Support

DIY Vineyard Pergola Beam & Support



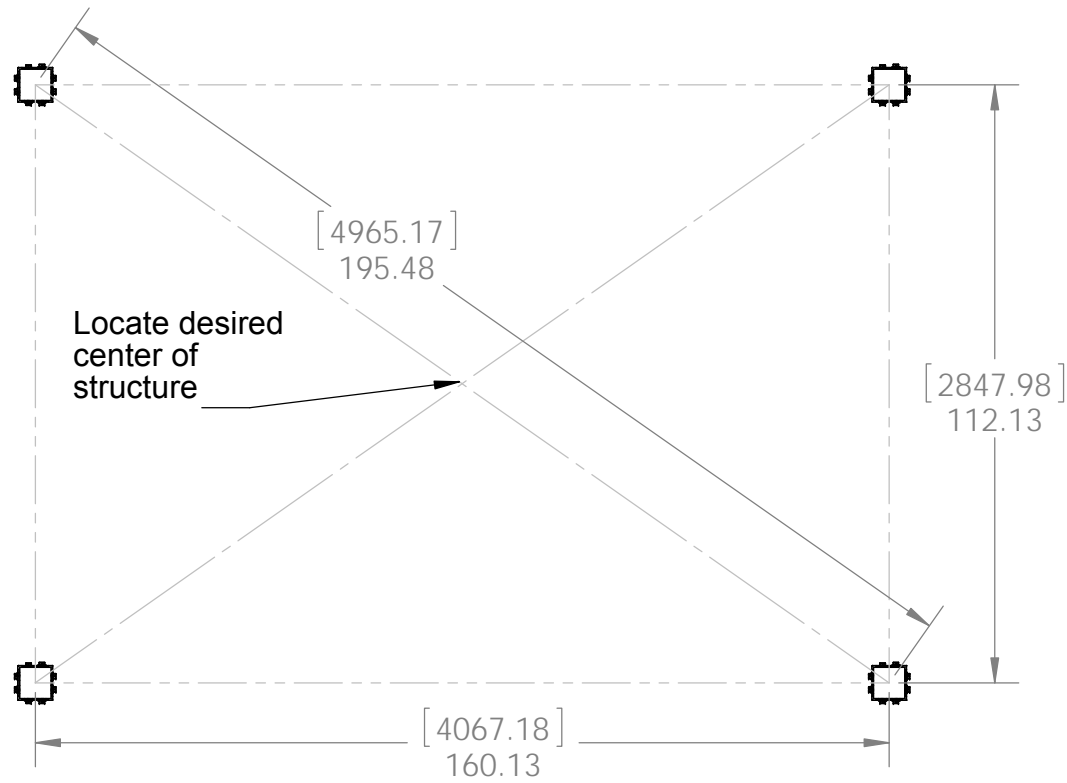
Project 325 (12x16)

DIY Vineyard Pergola Base



56608



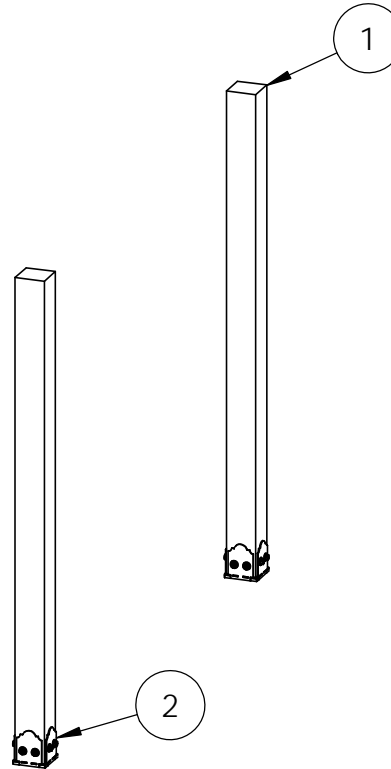
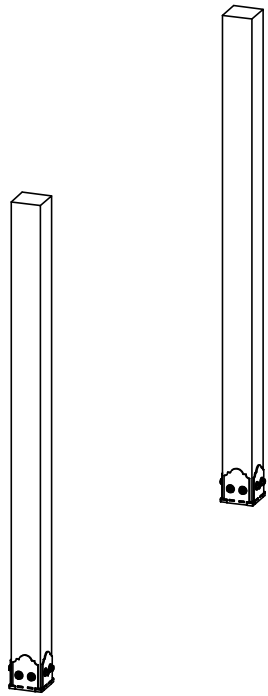


if site is not level,
see Ozco Site Leveling instruction

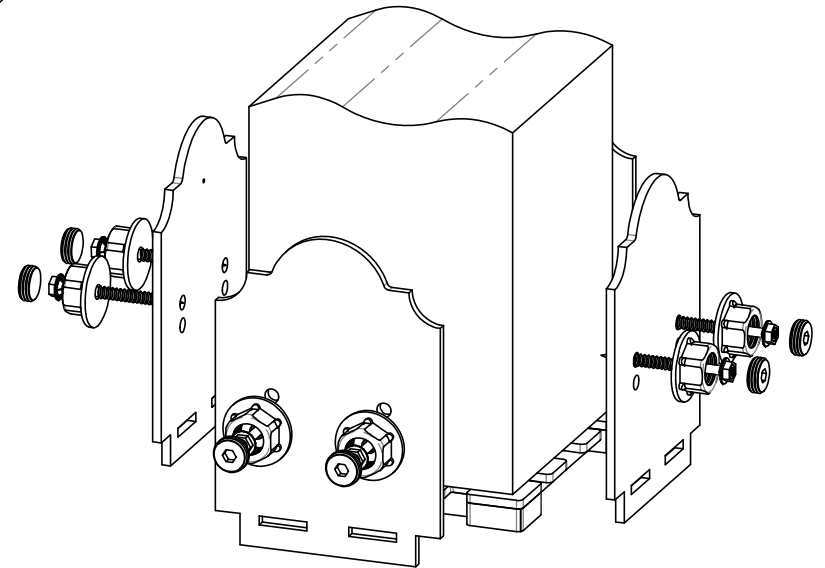


Project 325 (12x16)

DIY Vineyard Pergola Base

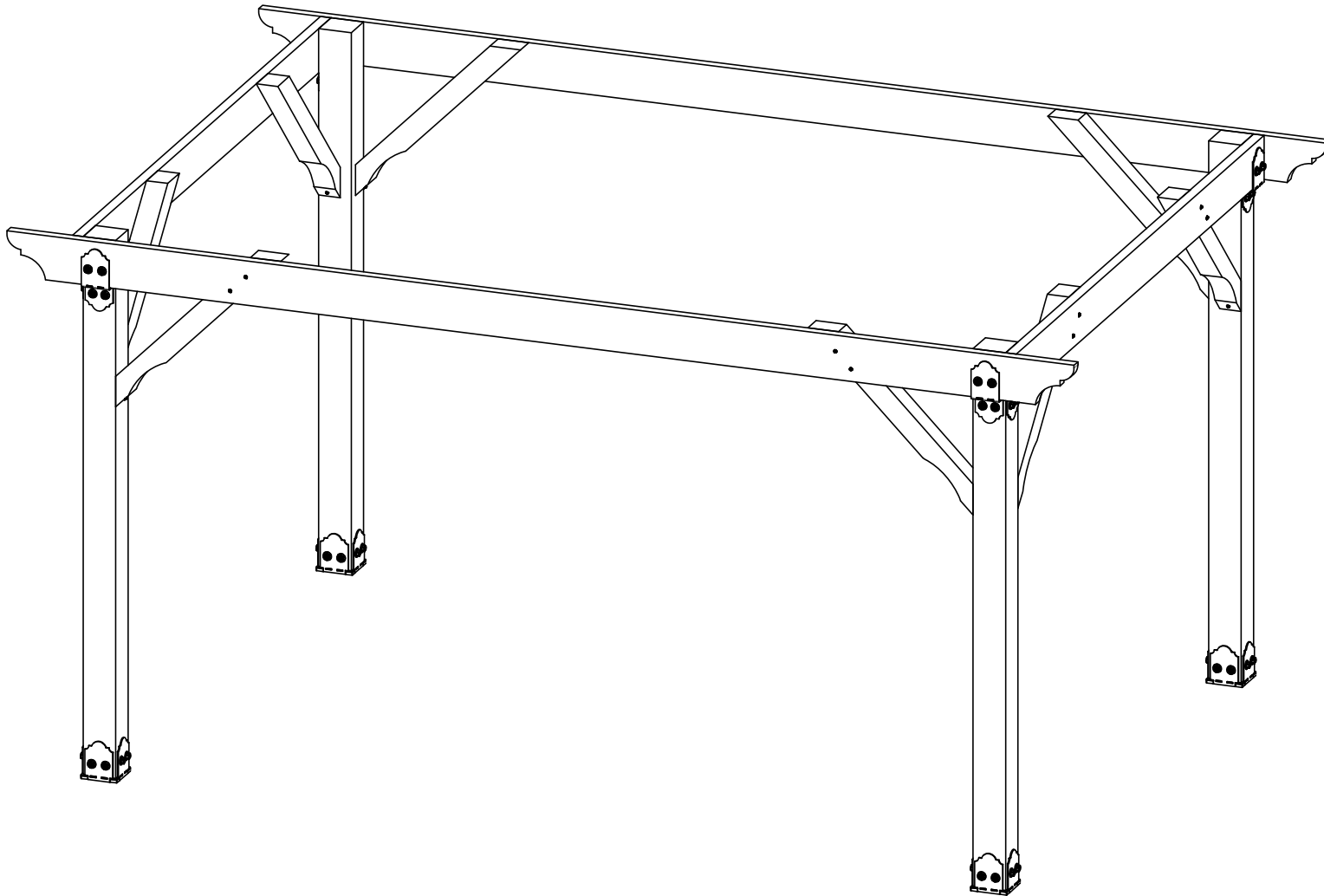


ITEM NO.	Project 325 (12x16)/12 x16/QTY.	PART NUMBER	DESCRIPTION
1	4	6x6 Cedar Post	6x6x96.00
2	4	56608	56608



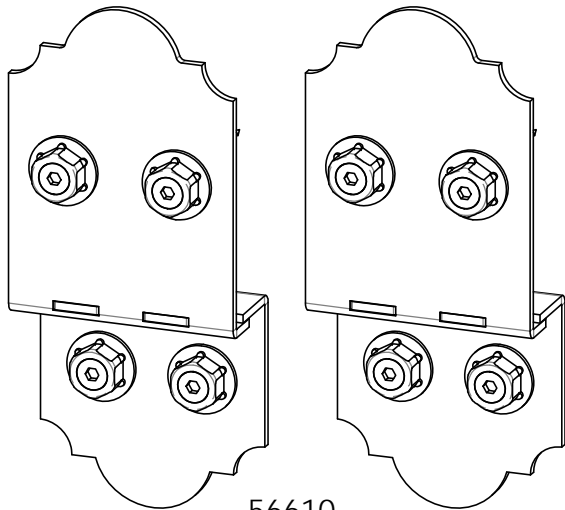
Project 325 (12x16)

DIY Vineyard Pergola Base

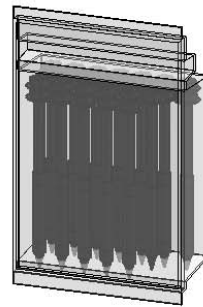


Project 325 (12x16)

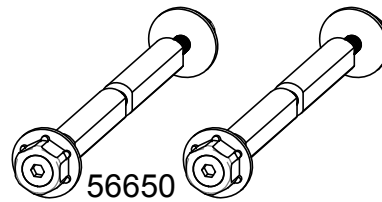
DIY Vineyard Pergola Beam & Support



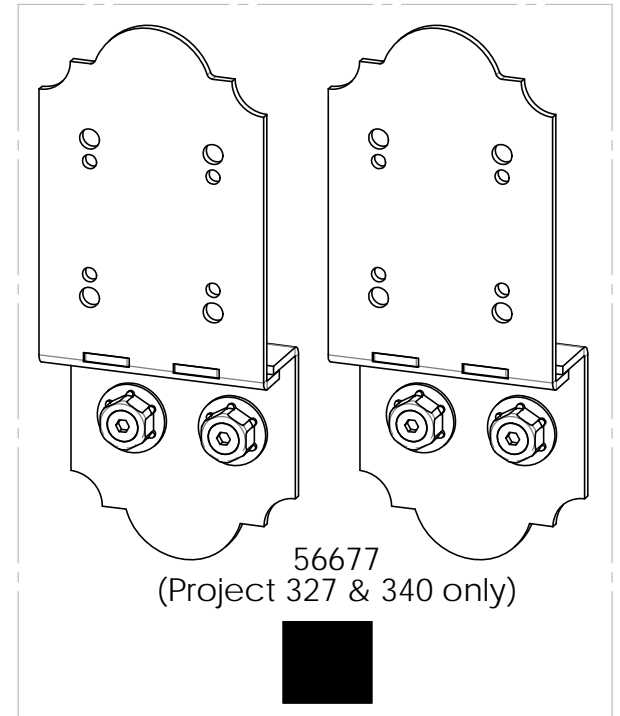
56610



56627
Box of 25

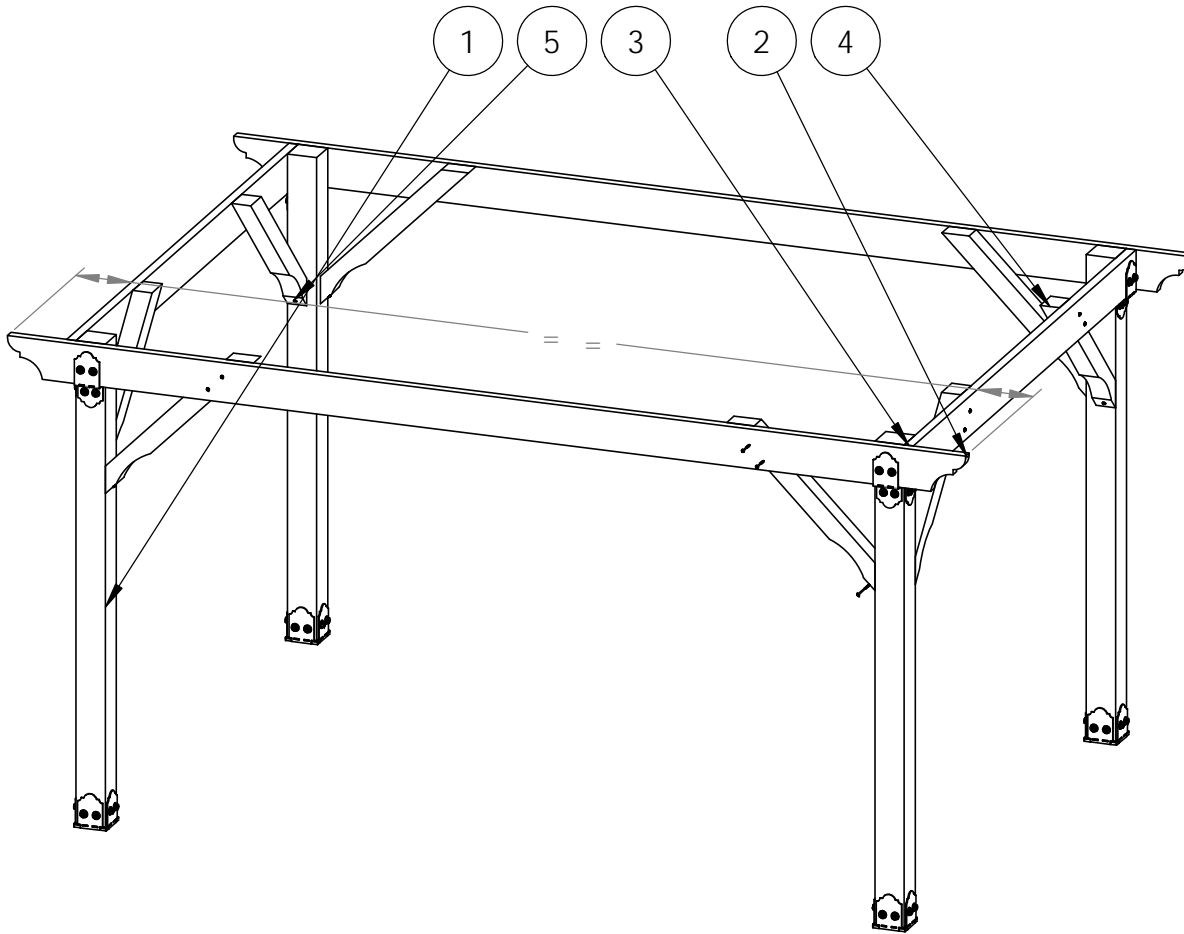


56650
(Project 327 & 340 only)

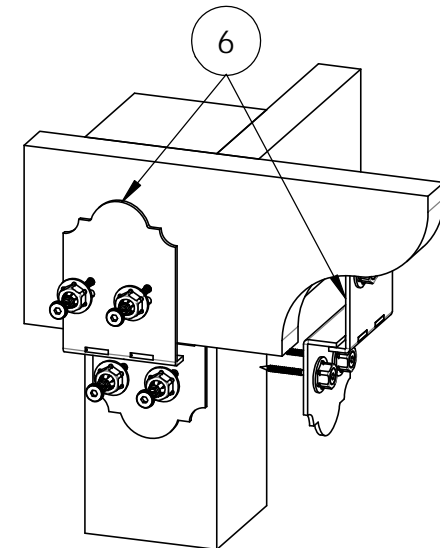


56677
(Project 327 & 340 only)



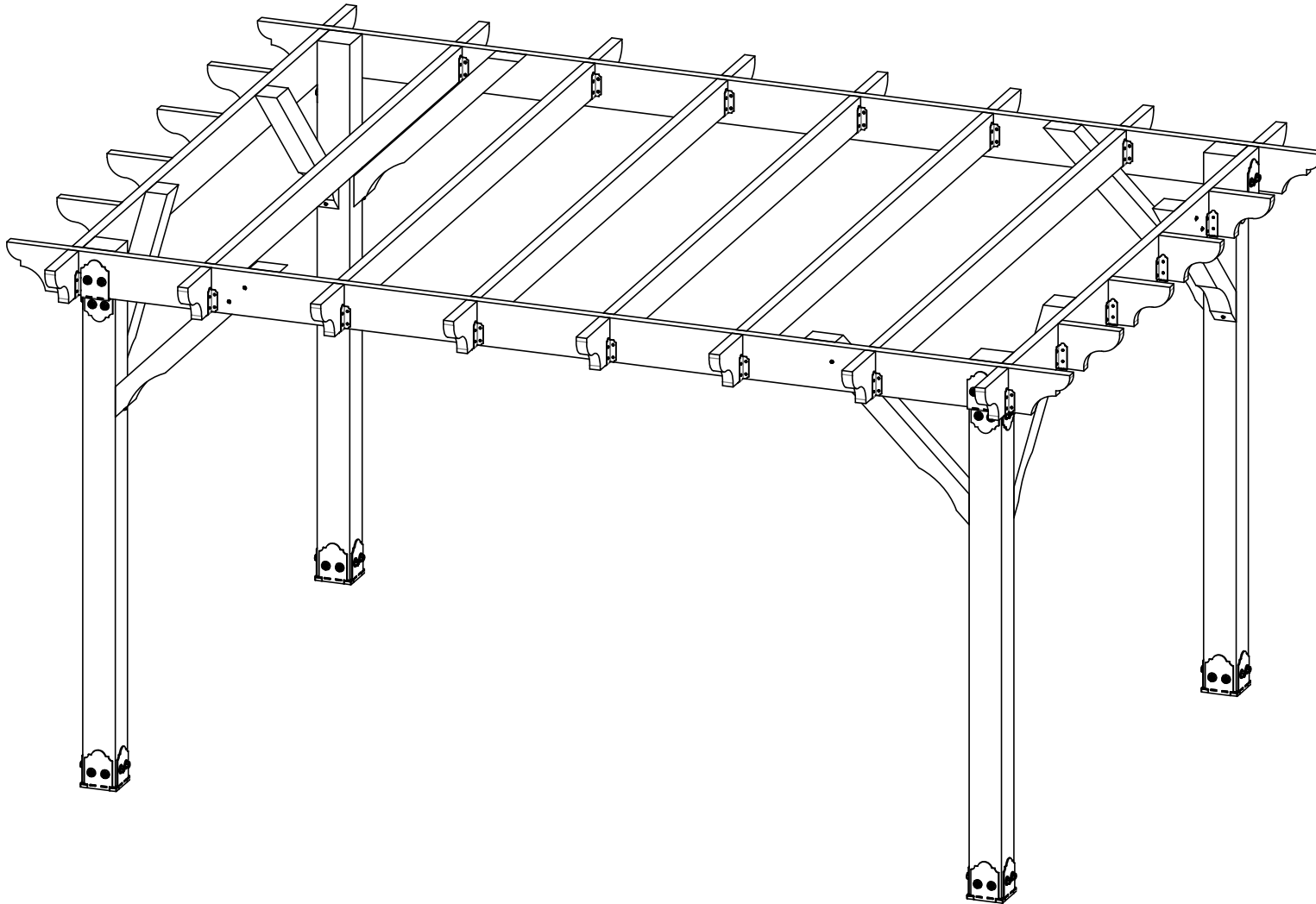


ITEM NO.	Project 325 (12x16)/QTY.	PART NUMBER	DESCRIPTION
1	1	DIY Vineyard Pergola Base	12x16
2	2	2x8 Cedar Board	2x8x192
3	2	2x8 Cedar Board	2x8x118
4	8	4x4 Cedar Post	4x4x42
5	1	56627	OWT Timber Screw 3-3/4"
6	4	56610	8" Post to Beam



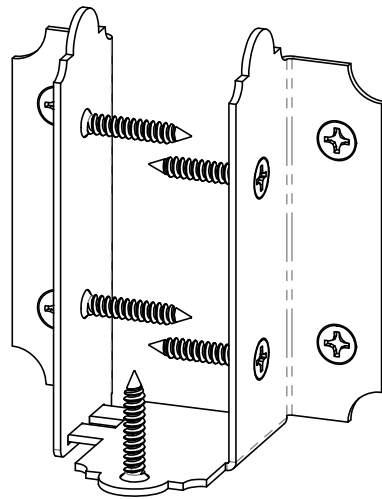
Project 325 (12x16)

DIY Vineyard Pergola Beam & Support

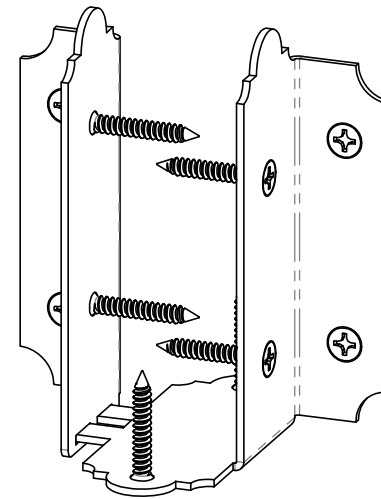


Project 325 (12x16)

DIY Vineyard Pergola Rafters

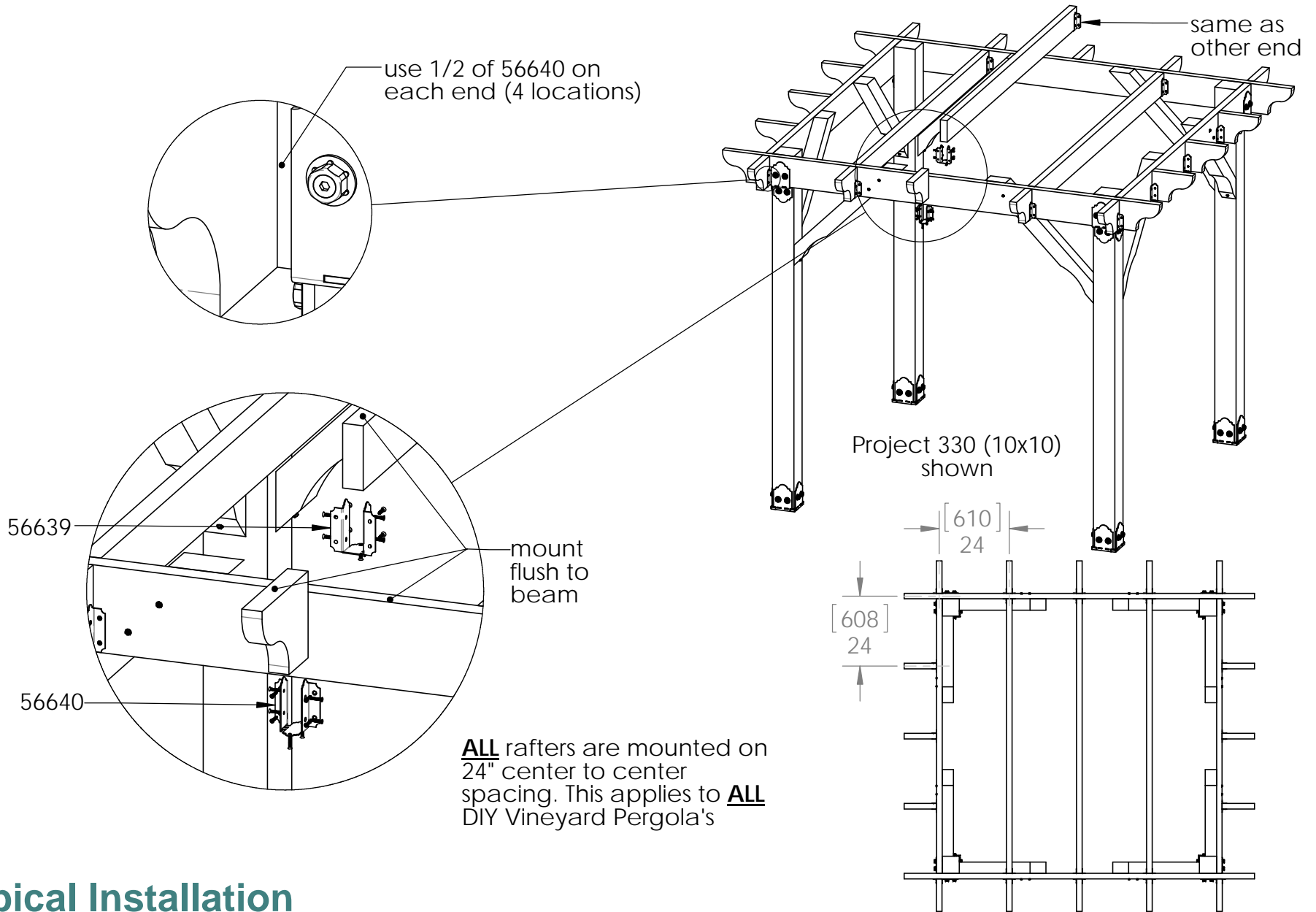


56639



56640

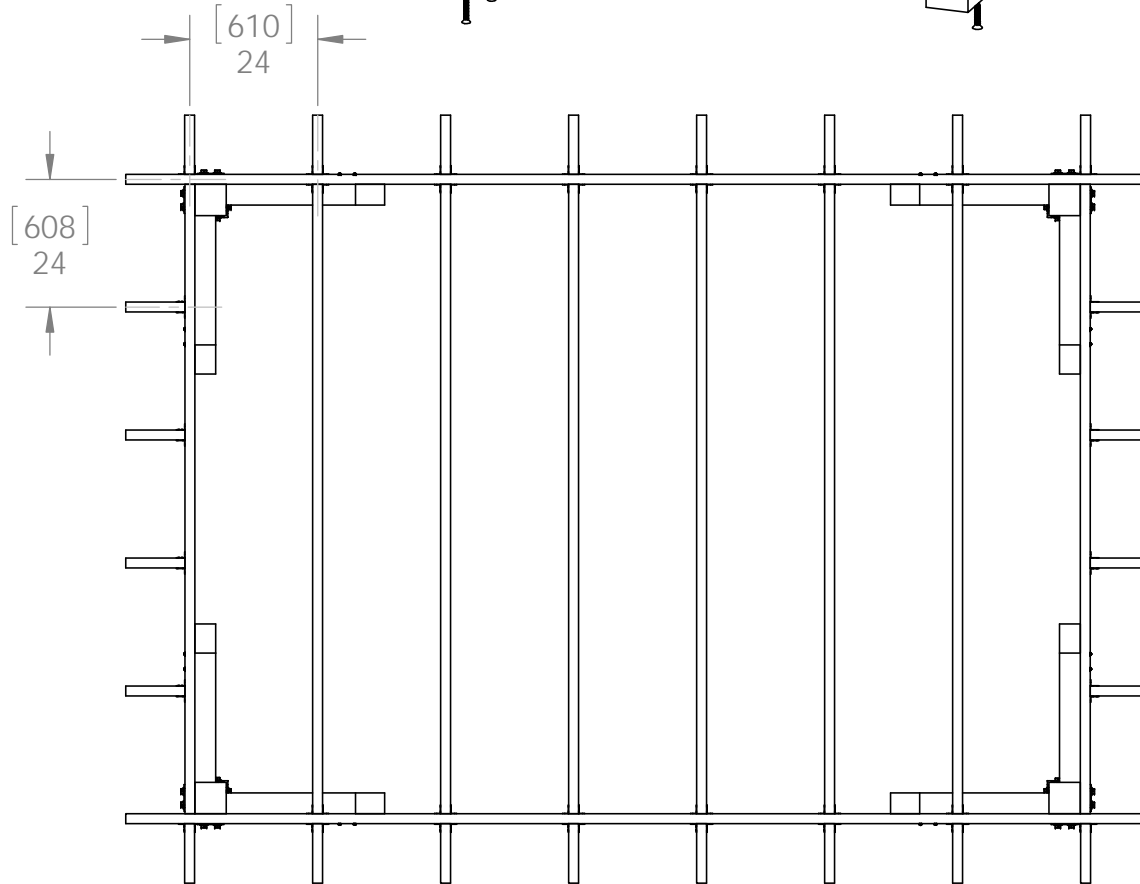
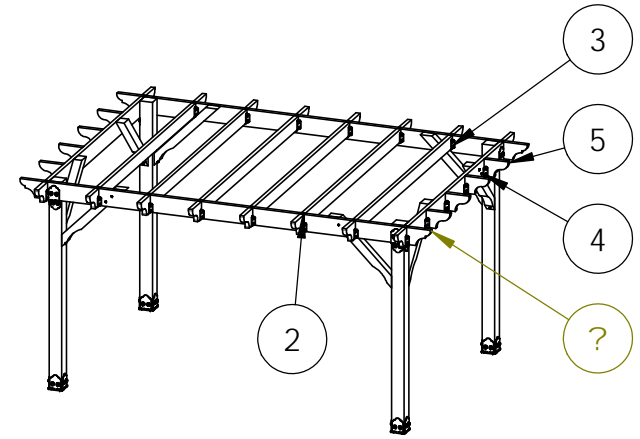
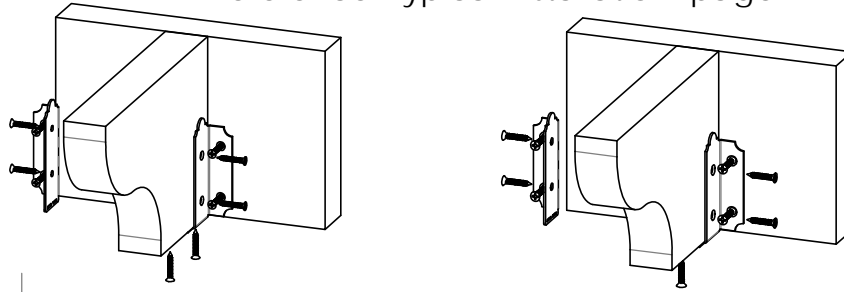




Typical Installation

DIY Vineyard Pergola Rafters

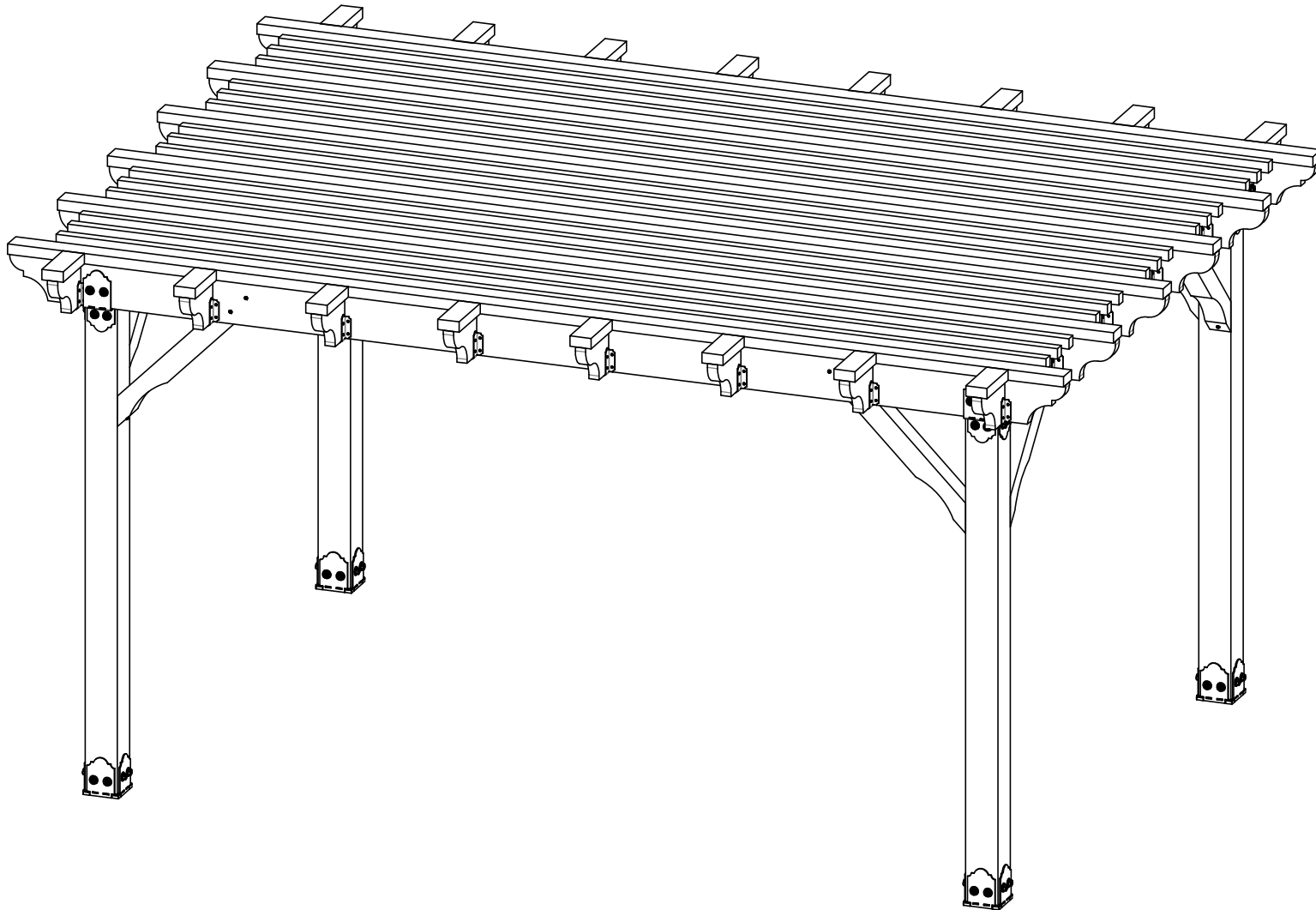
reference "Typical Installation" page



ITEM NO.	Project 325 (12x16)/12 x16/QTY.	PART NUMBER	DESCRIPTION
1	1	DIY Vineyard Pergola Beam & Support	12x16
2	6	2x6 Cedar Board	2x6x118.00
3	2	56639	6-8" Joist Hanger Flush
4	4	56640	6-8" Joist Hanger Tab
5	24	2x8 Cedar Board	2x10x11.125

Project 325 (12x16)

DIY Vineyard Pergola Rafters

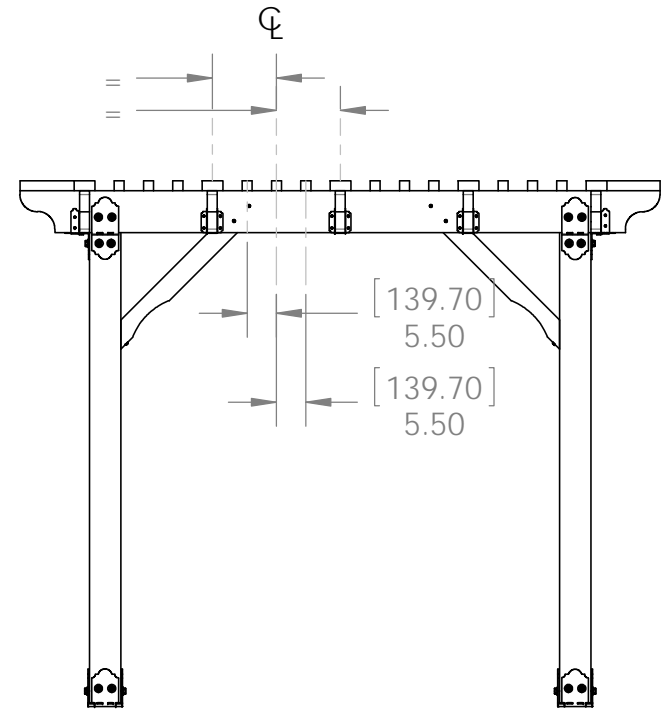
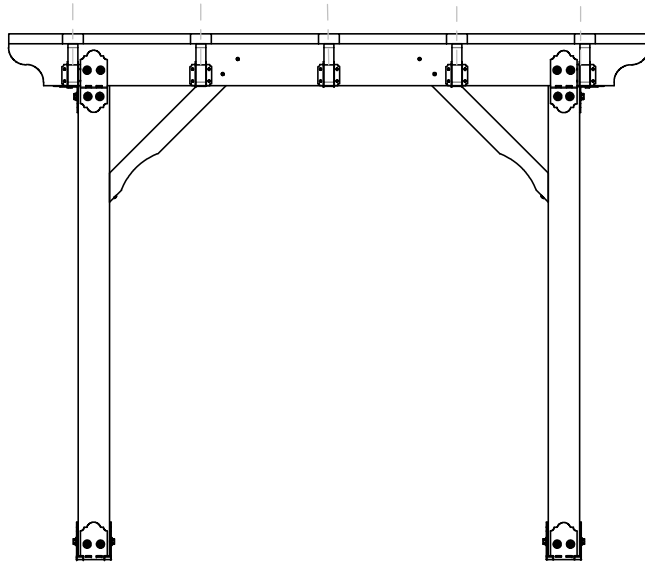


Project 325 (12x16)

DIY Vineyard Pergola Purlins

ALL 2x4 Purlins are centered on Rafters and secured with nails or screws

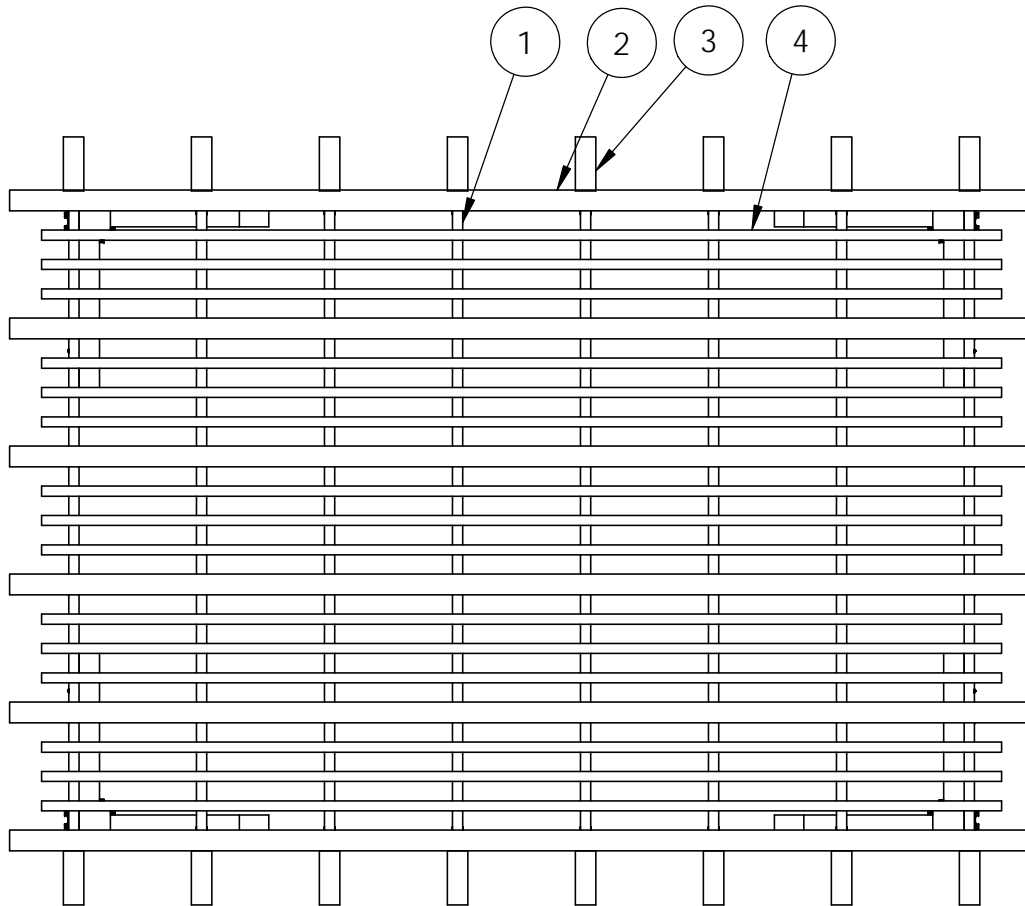
ALL 2x2 Purlins are spaced as shown between 2x4 Purlins and secured with nails or screws



Project 330 (10x10)
shown

Typical Installation

DIY Vineyard Pergola Purlins



ITEM NO.	Project 325 (12x16)/12 x16/QTY.	PART NUMBER	DESCRIPTION
1	1	DIY Vineyard Pergola Rafters	12x16
2	6	2x4 Cedar Board	2x4x192.00
3	16	2x4 Cedar Board	2x4x10.13
4	15	2x2 Cedar Board	2x2x180.00

see "Typical Installation" page for Purlin Spacing

Project 325 (12x16)

DIY Vineyard Pergola Purlins