

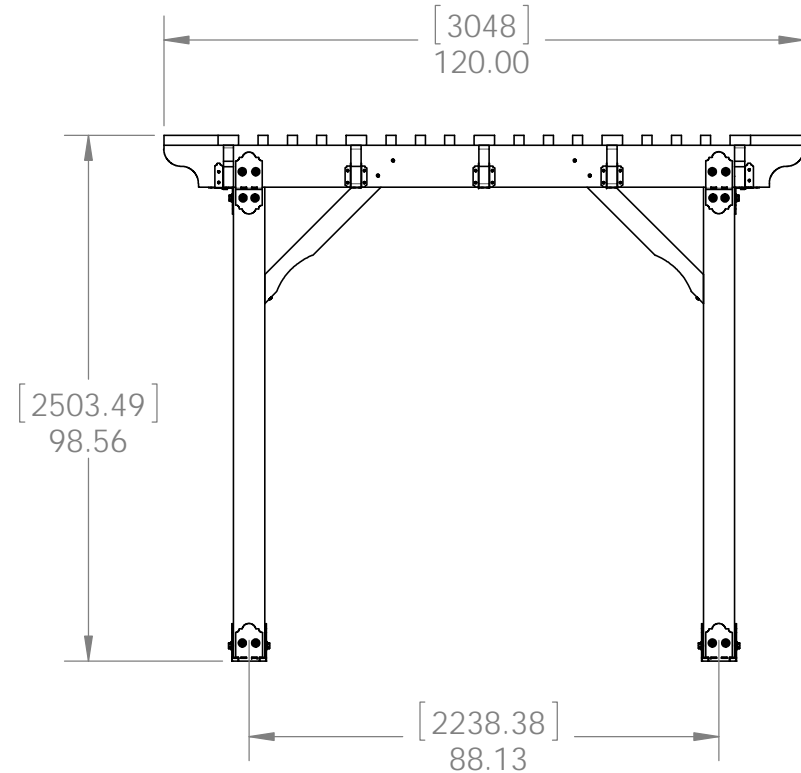
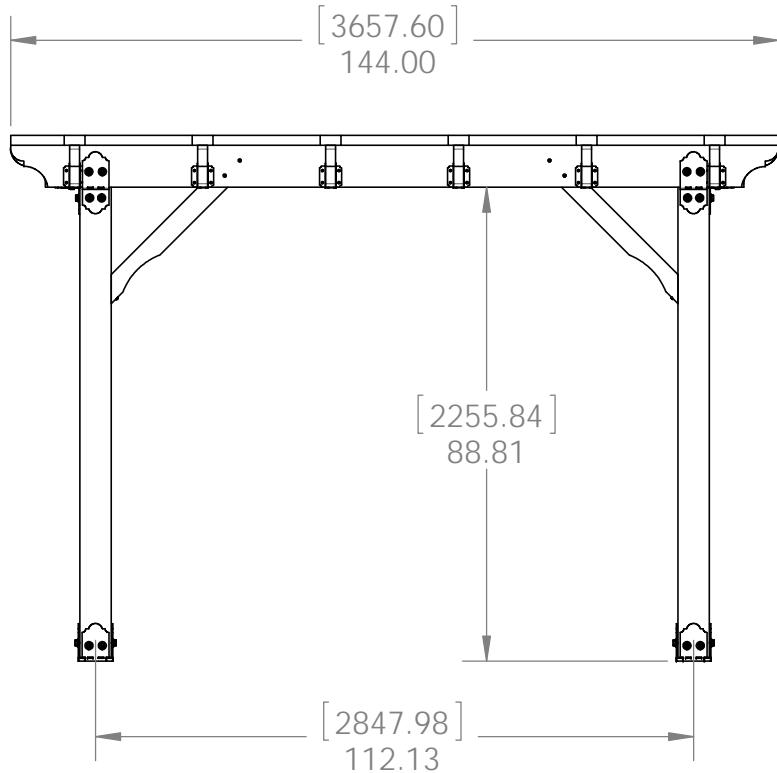
DESIGN

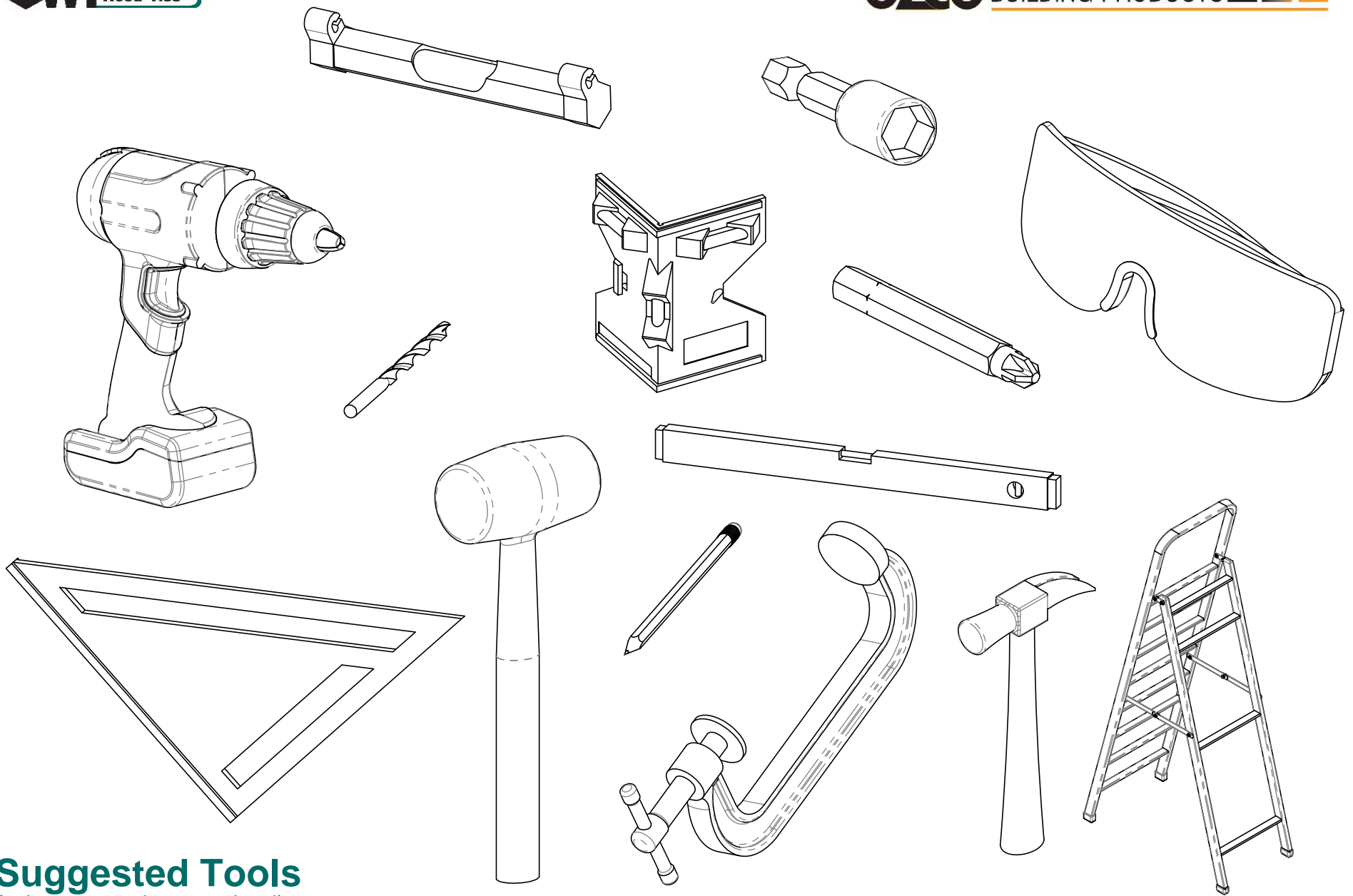
PURCHASE

CONSTRUCT

ENJOY

## Project 333 DIY Vineyard Pergola Overview (10x12)

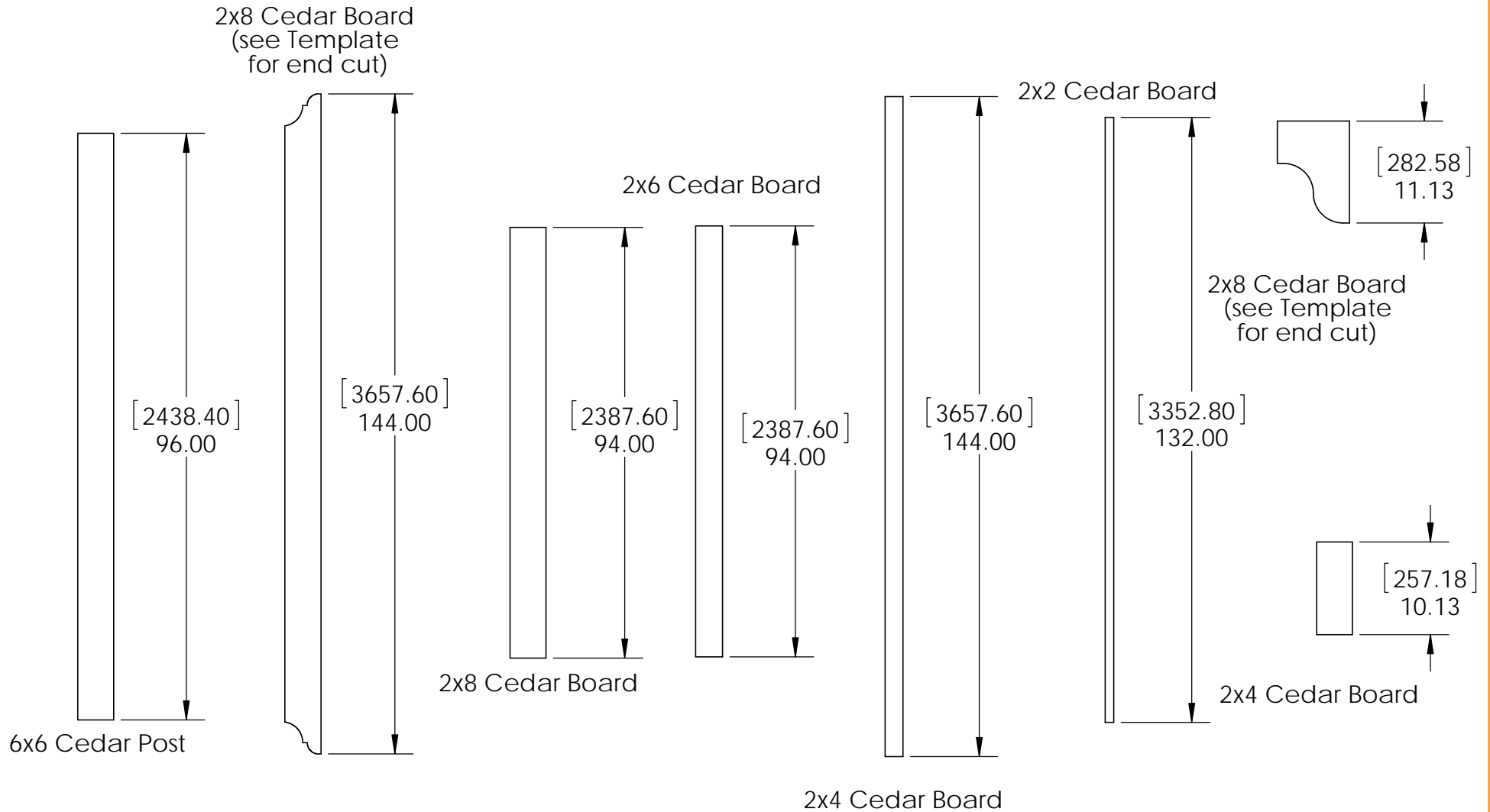




## Suggested Tools

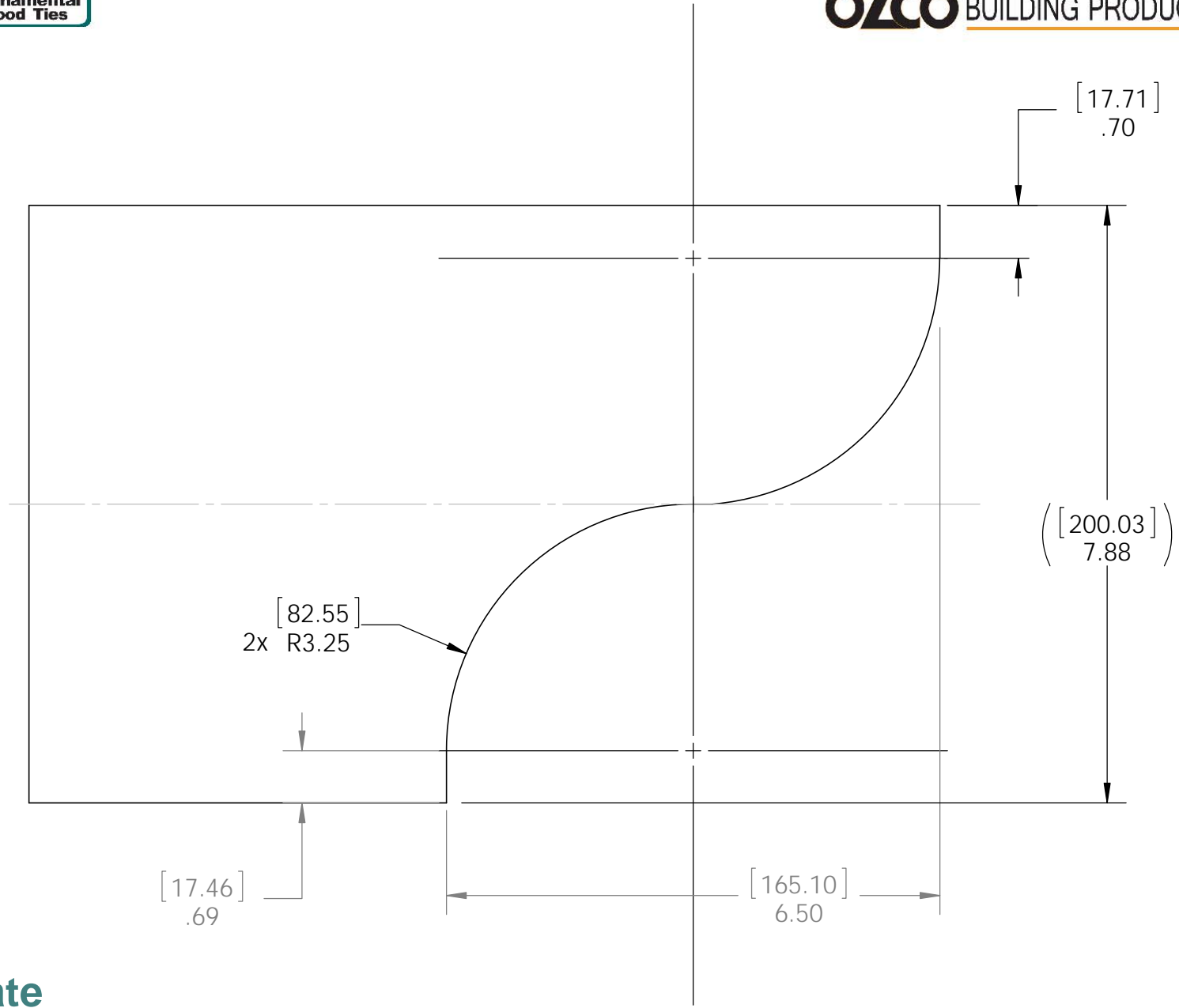
(others may be required)

DIY Vineyard Pergola Base



Support defined on separate sheet

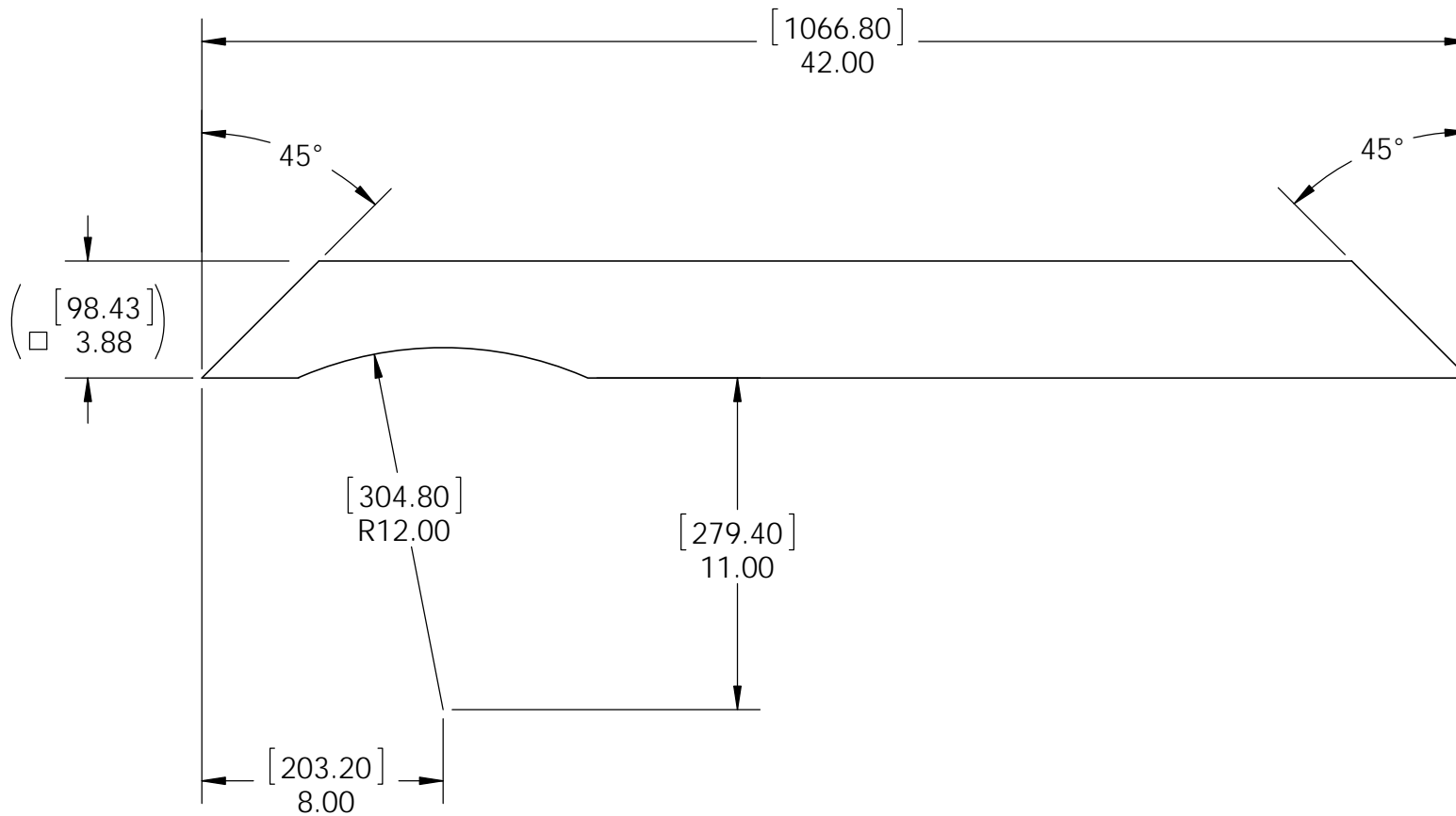
## Project 333 DIY Vineyard Pergola (10x12) Cutlist



**Template**  
(scale: 1/2)

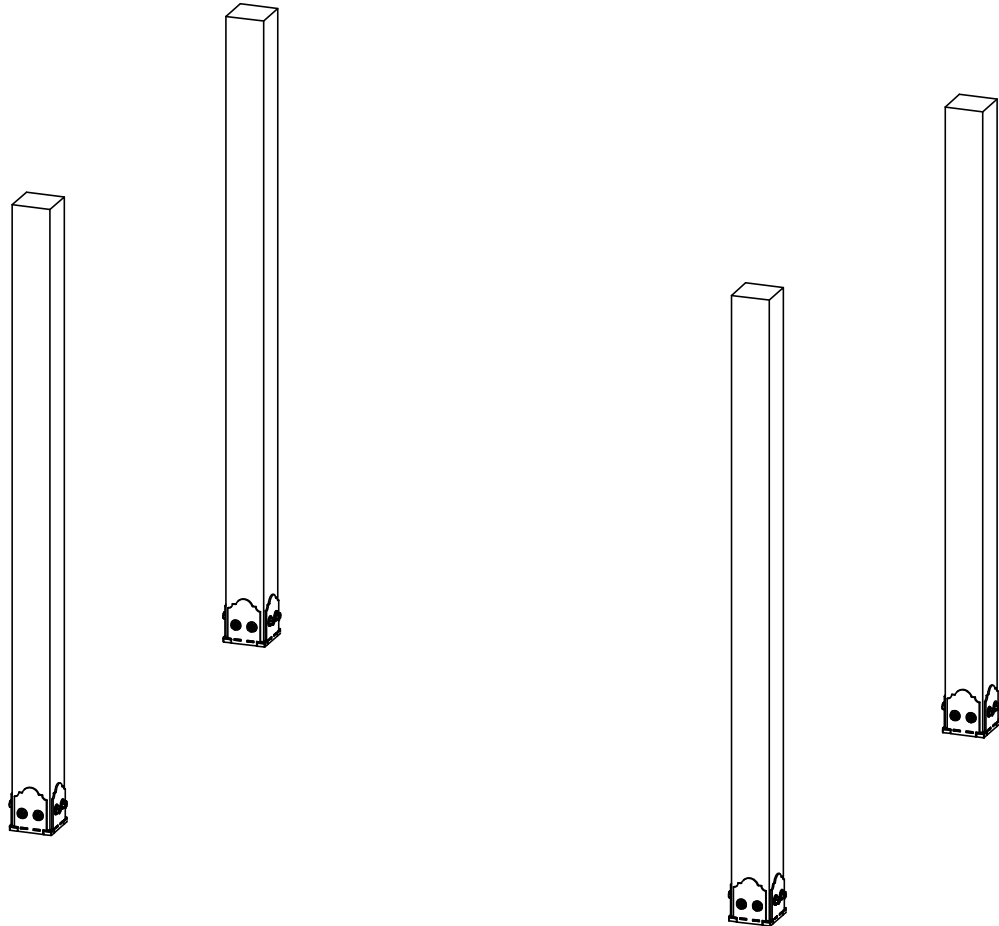
DIY Vineyard Pergola Beam & Support

V1.00 - Installation Instructions effective May 1, 2015 and reflects information that available as of April 10, 2014. This information is updated periodically and should not be relied upon after May 1, 2015. Please visit [www.OZCOBP.com](http://www.OZCOBP.com) to get current information



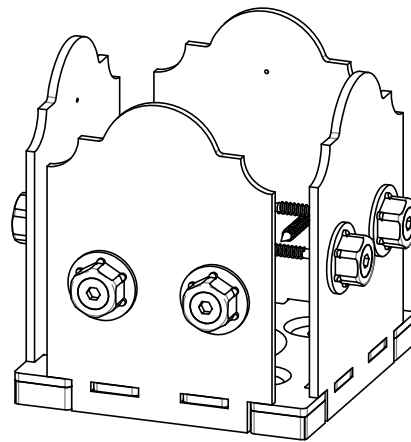
## Support

### DIY Vineyard Pergola Beam & Support



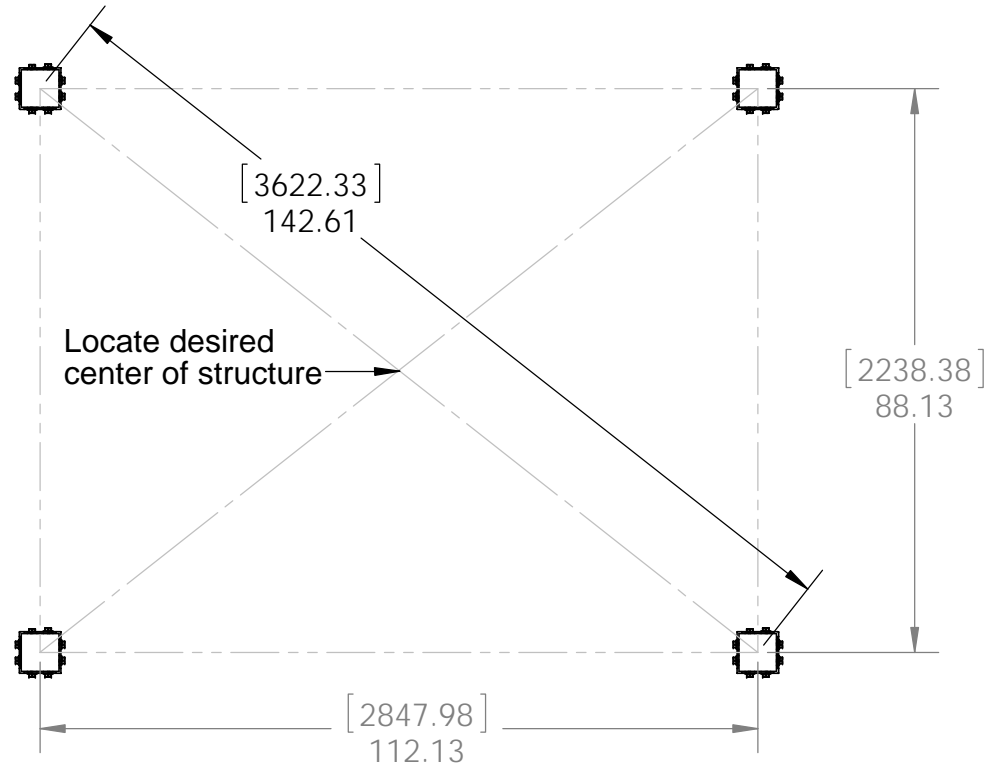
## Project 333 (10x12)

DIY Vineyard Pergola Base



56608





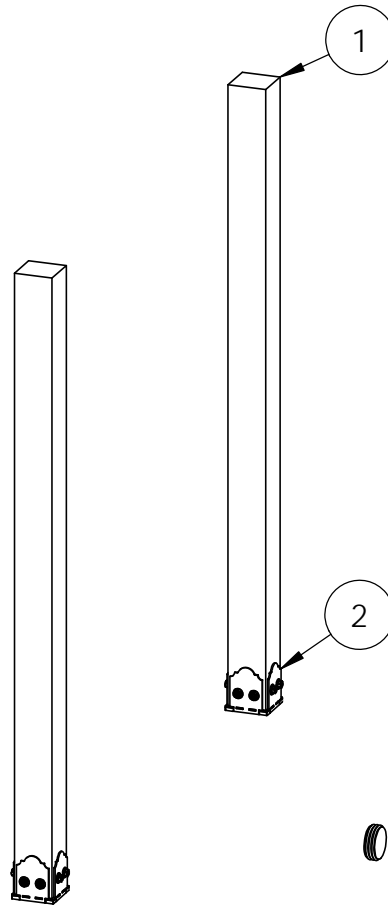
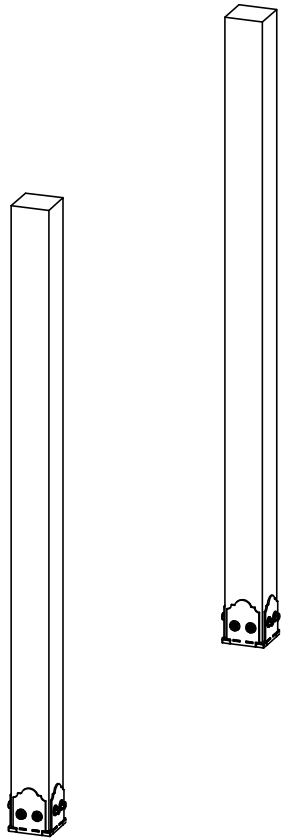
if site is not level,  
see Ozco Site Leveling instruction



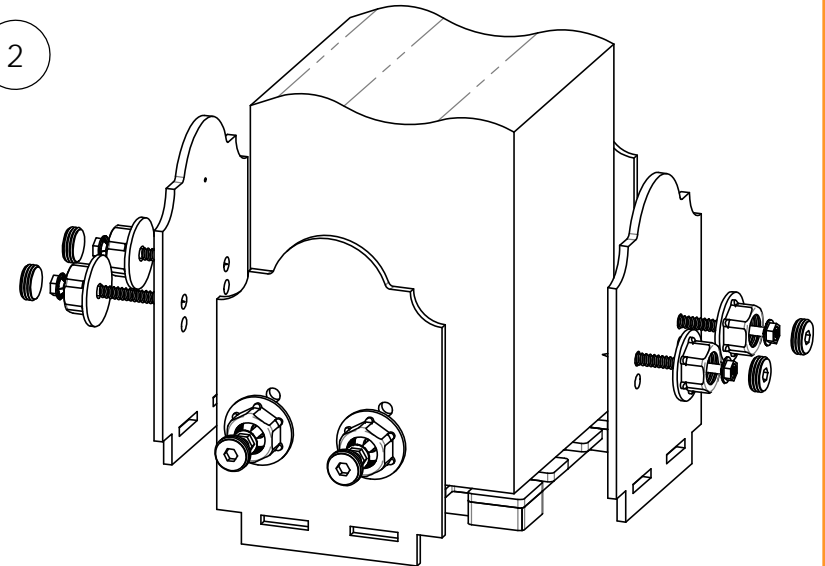
## Project 333 (10x12)

DIY Vineyard Pergola Base





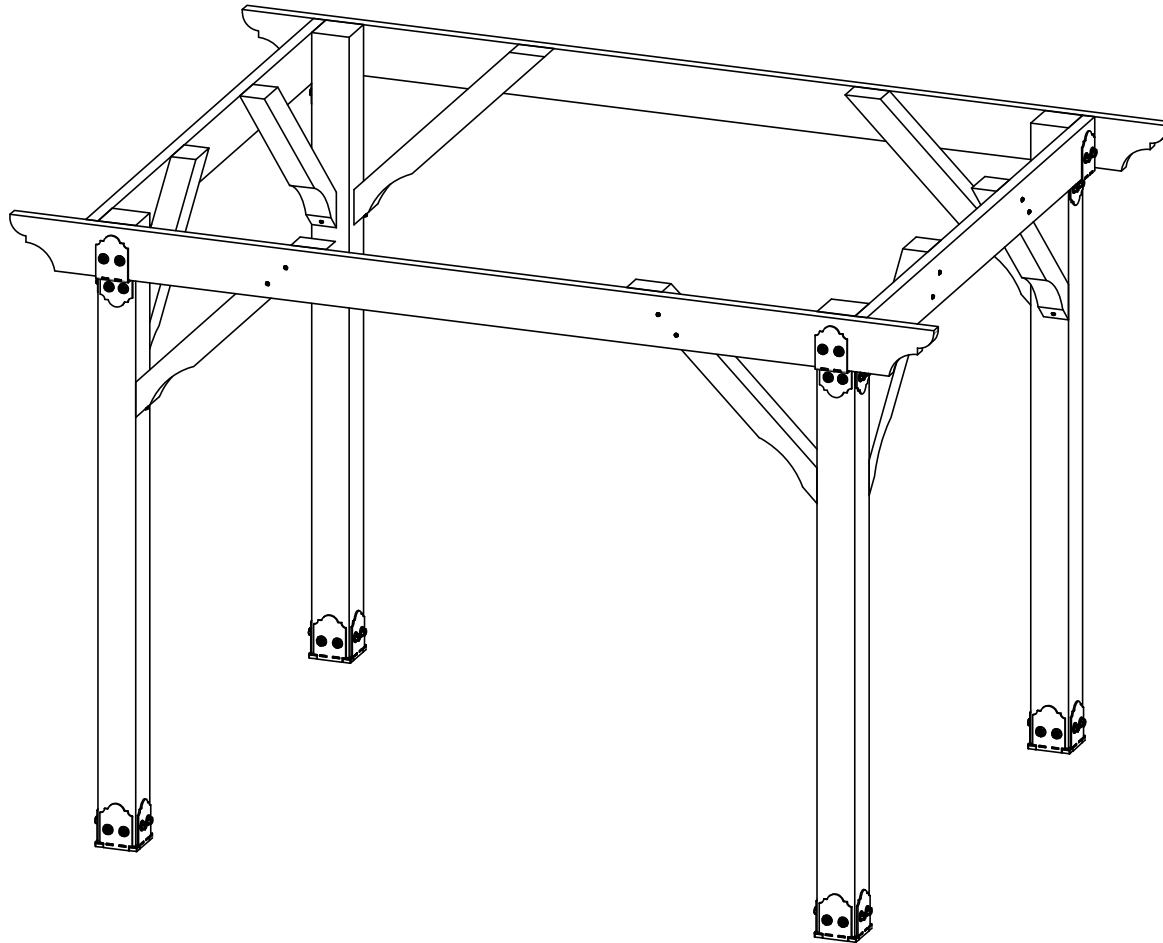
ITEM NO.	Project 333 (10x12)/10 x12/QTY.	PART NUMBER	DESCRIPTION
1	4	6x6 Cedar Post	6x6x96.00
2	4	56608	56608



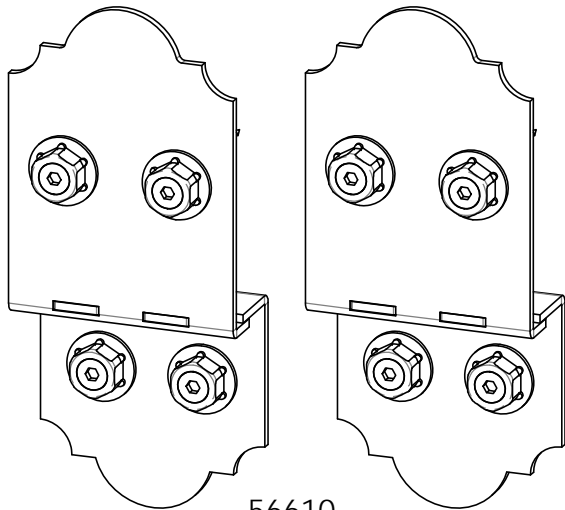
## Project 333 (10x12)

DIY Vineyard Pergola Base

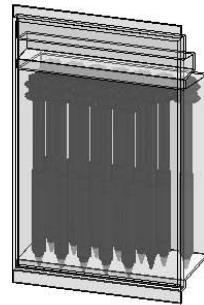
## Beam & Support



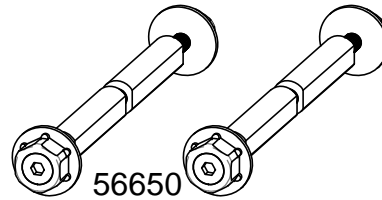
### Project 333 (10x12) DIY Vineyard Pergola Beam & Support



56610

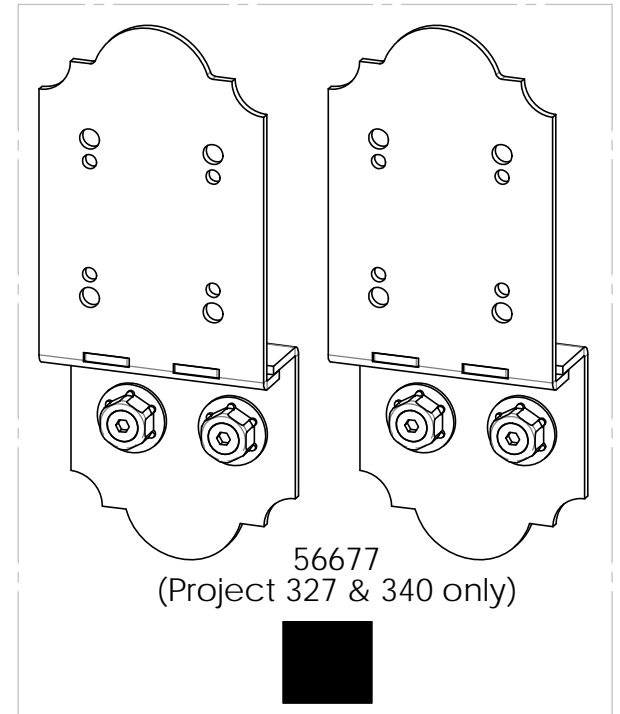


56627  
Box of 25



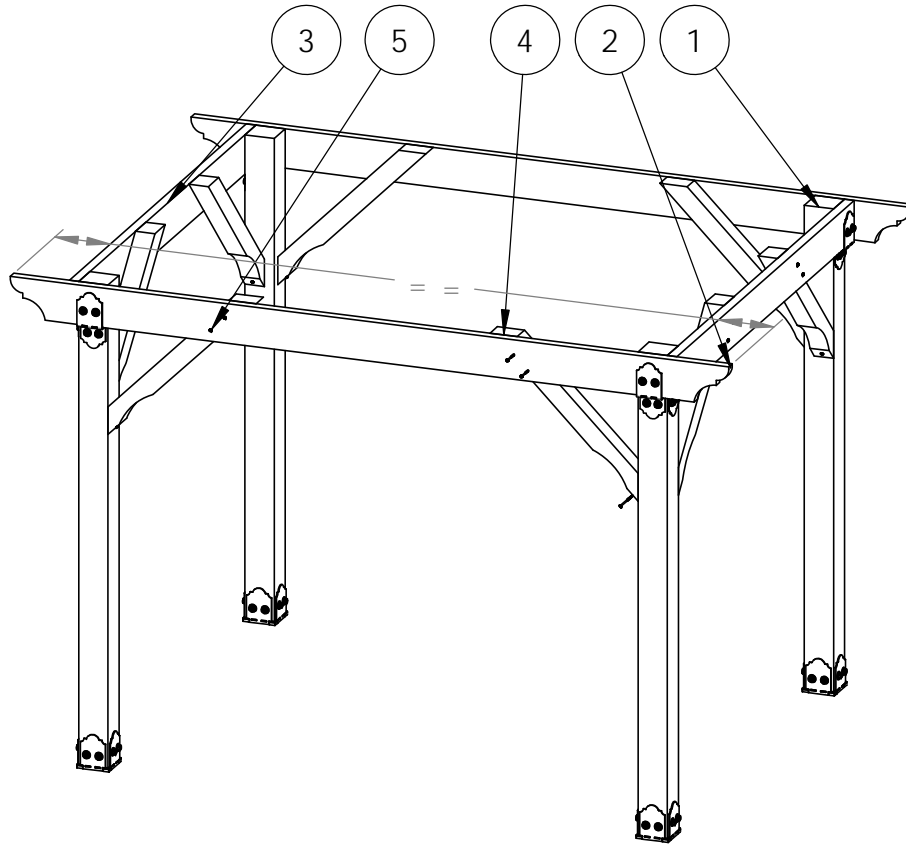
56650

(Project 327 & 340 only)

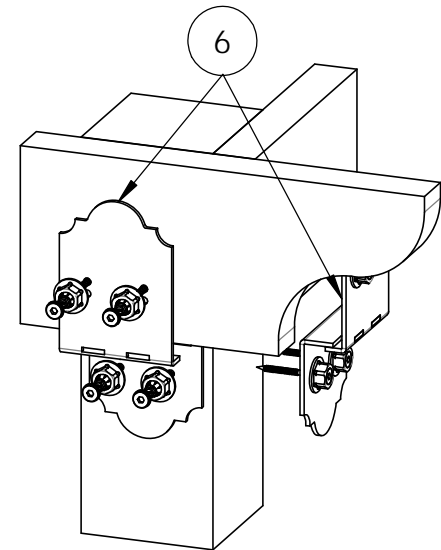


56677  
(Project 327 & 340 only)





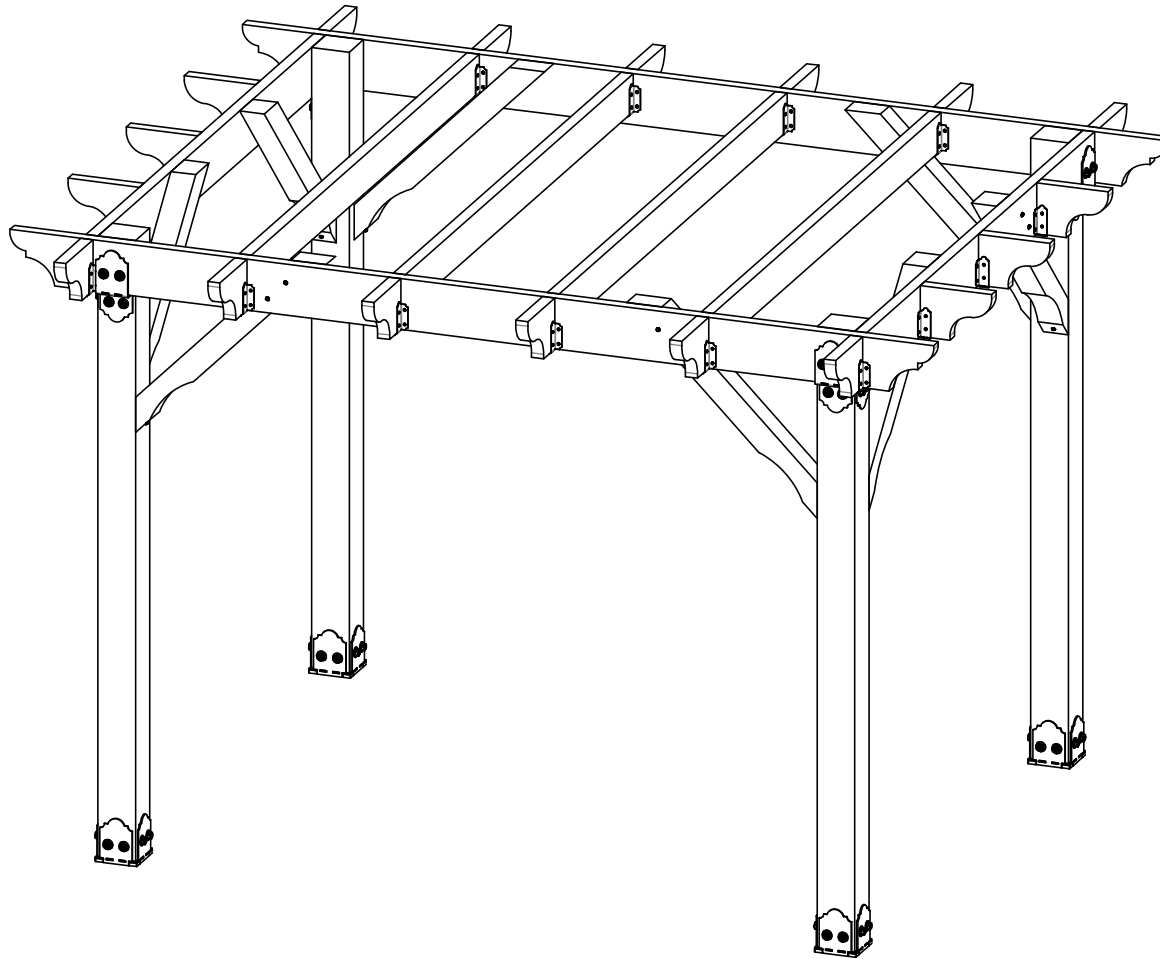
ITEM NO.	Project 333 (10x12)/QTY.	PART NUMBER	DESCRIPTION
1	1	DIY Vineyard Pergola Base	10x12
2	2	2x8 Cedar Board	2x8x144
3	2	2x8 Cedar Board	2x8x94
4	8	4x4 Cedar Post	4x4x42
5	1	56627	OWT Timber Screw 3-3/4"
6	4	56610	8" Post to Beam



## Project 333 (10x12)

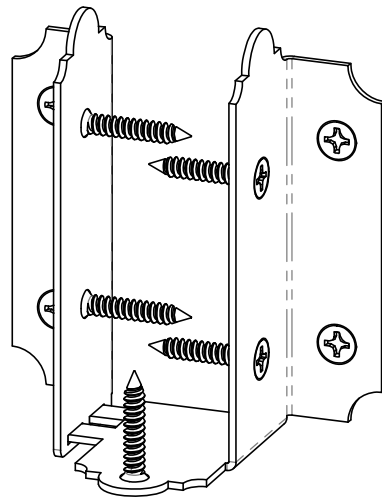
### DIY Vineyard Pergola Beam & Support

## Rafters

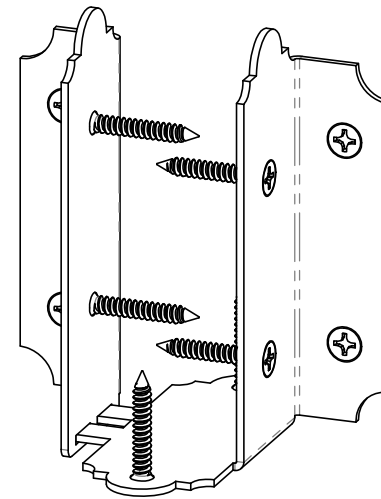


### Project 333 (10x12)

DIY Vineyard Pergola Rafters

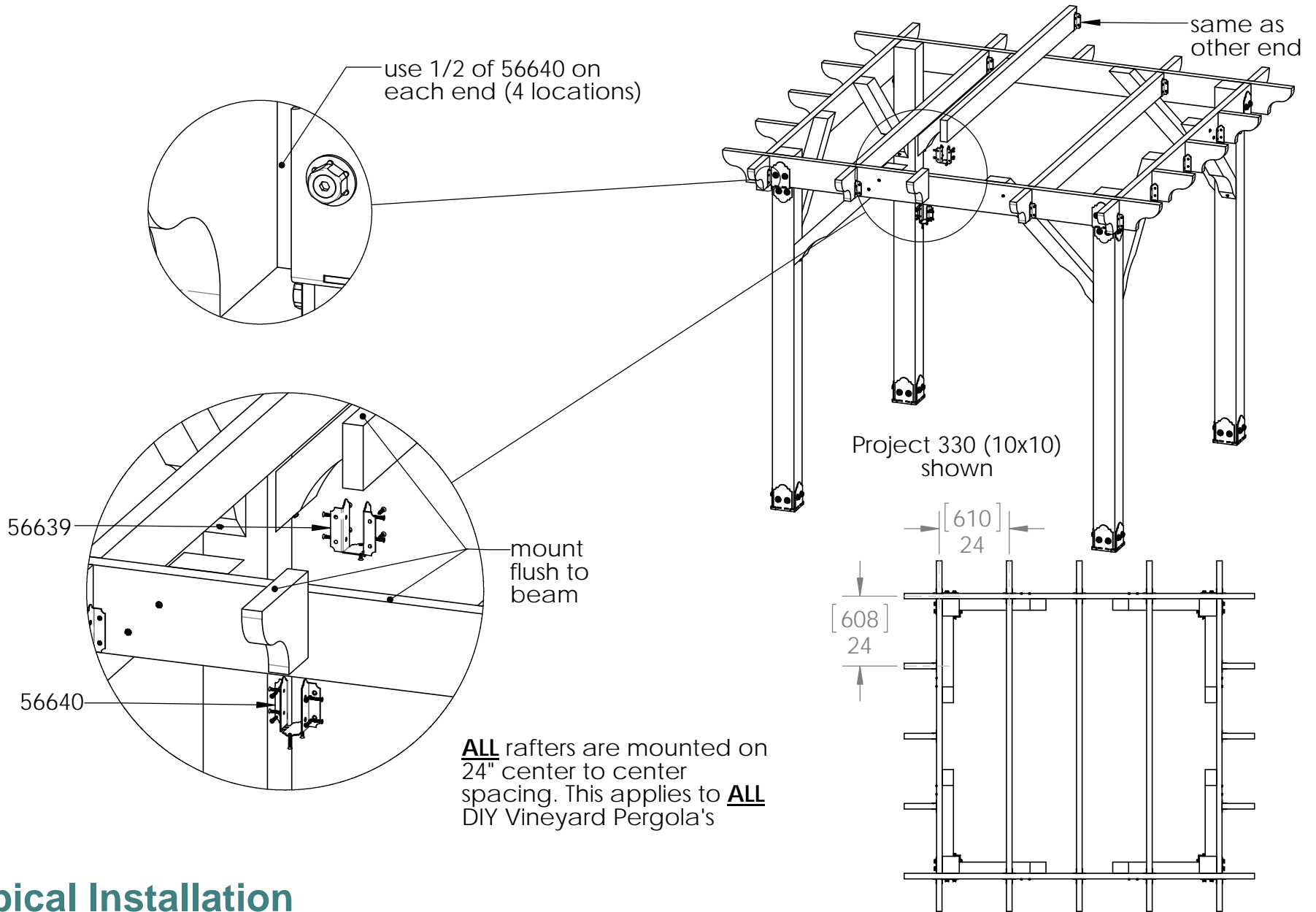


56639



56640

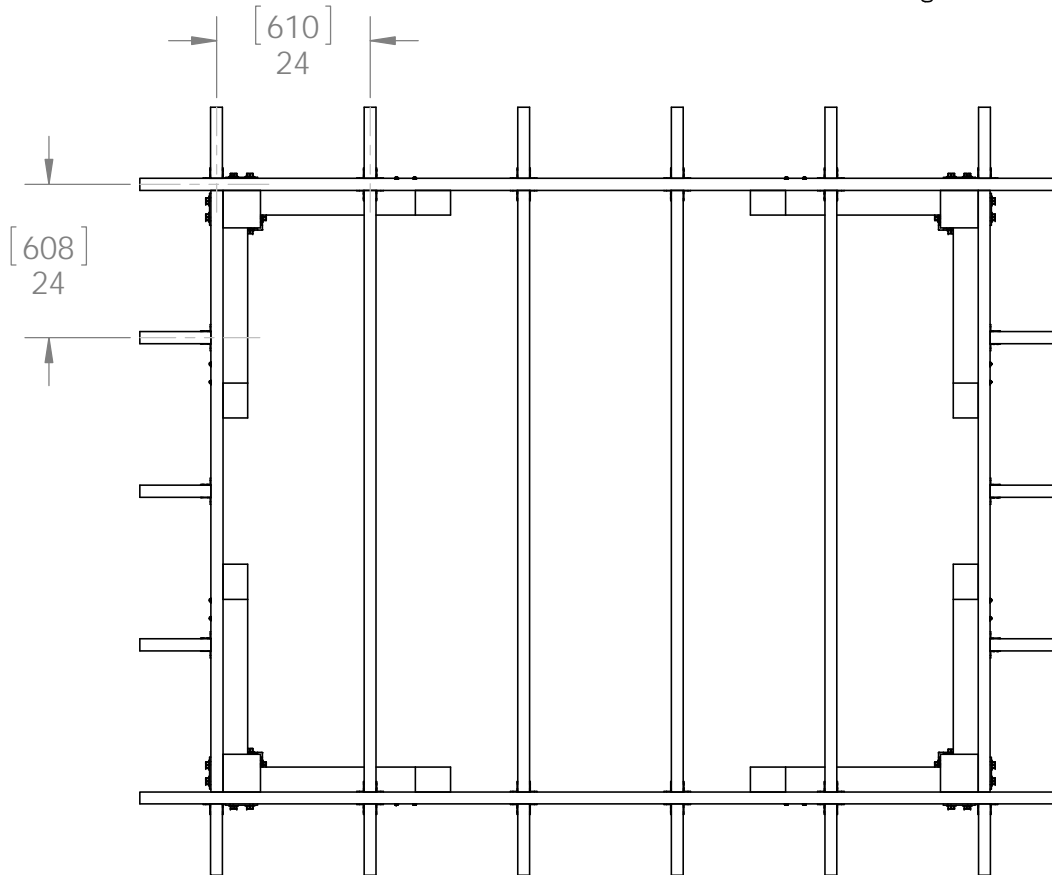
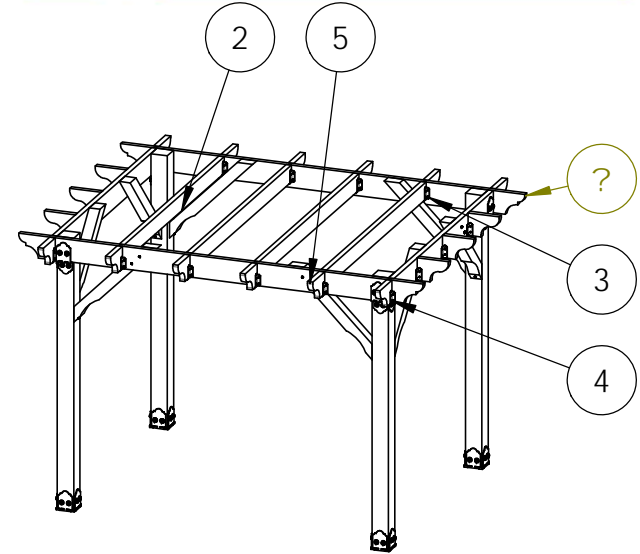
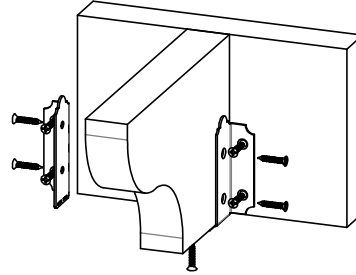
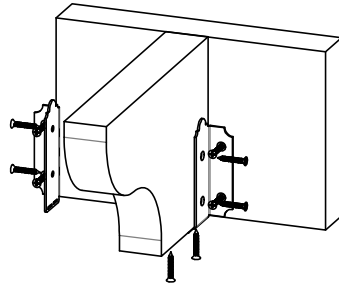




## Typical Installation

### DIY Vineyard Pergola Rafters

reference "Typical Installation" page

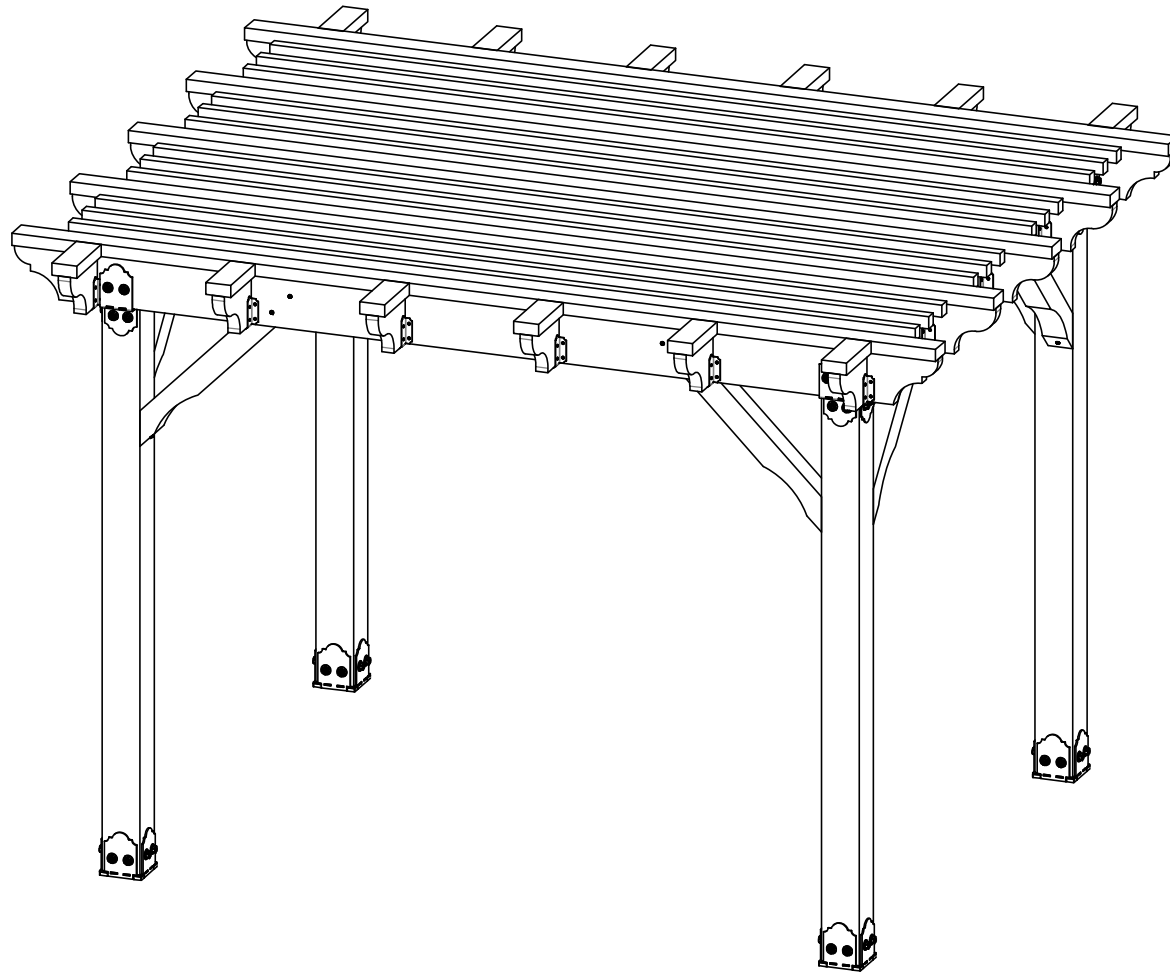


ITEM NO.	Project 333 (10x12)/Project 315 (10x12)/Project 333 (10x12)/10x12 /QTY.	PART NUMBER	DESCRIPTION
1	1	DIY Vineyard Pergola Beam & Support	10x12
2	4	2x6 Cedar Board	2x6x94.00
3	2	56639	6-8" Joist Hanger Flush
4	3	56640	6-8" Joist Hanger Tab
5	18	2x8 Cedar Board	2x10x11.125

## Project 333 (10x12)

DIY Vineyard Pergola Rafters



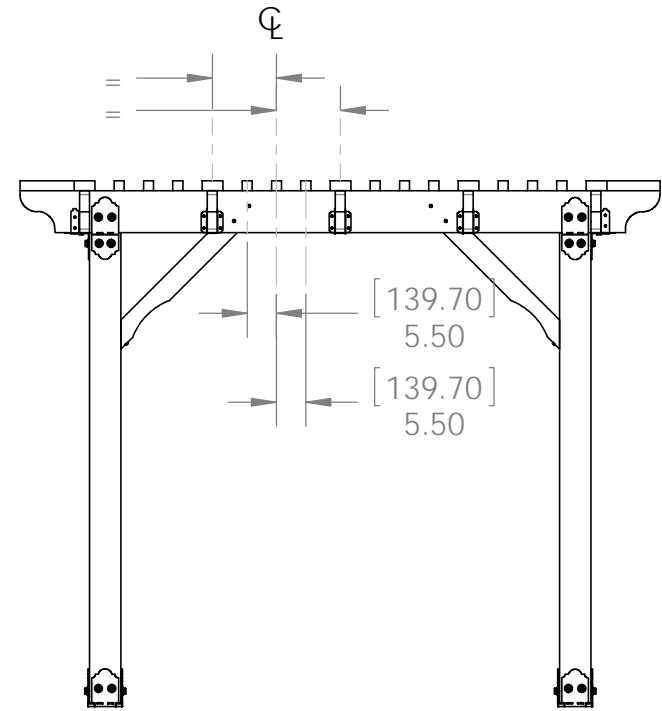
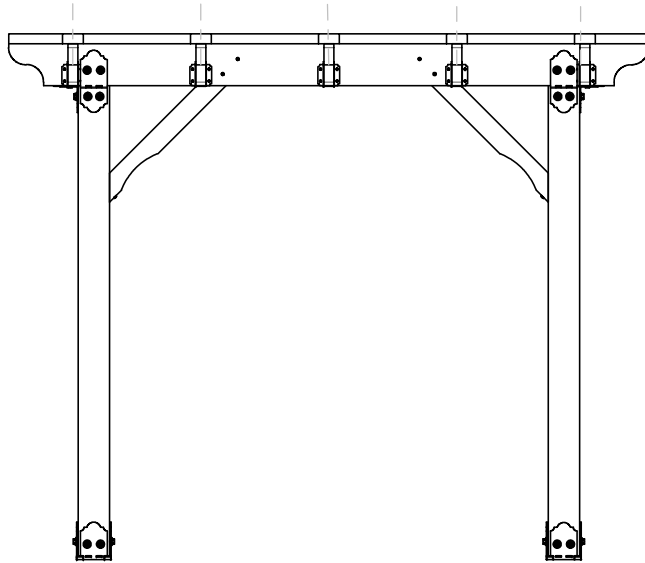


## Project 333 (10x12)

DIY Vineyard Pergola Purlins

ALL 2x4 Purlins are centered on Rafters and secured with nails or screws

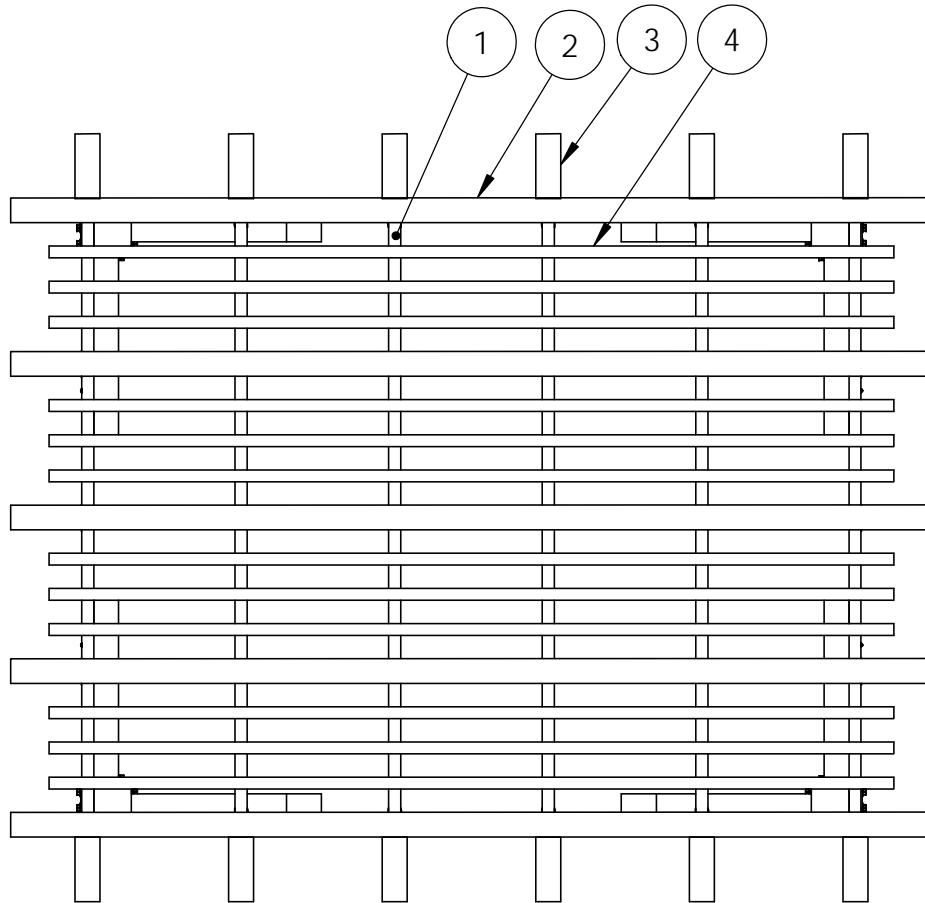
ALL 2x2 Purlins are spaced as shown between 2x4 Purlins and secured with nails or screws



Project 330 (10x10)  
shown

## Typical Installation

DIY Vineyard Pergola Purlins



ITEM NO.	Project 333 (10x12)/10 x12/QTY.	PART NUMBER	DESCRIPTION
1	1	DIY Vineyard Pergola Rafters	10x12
2	5	2x4 Cedar Board	2x4x144.00
3	12	2x4 Cedar Board	2x4x10.13
4	12	2x2 Cedar Board	2x2x132.00

see "Typical Installation" page for Purlin Spacing

## Project 333 (10x12)

DIY Vineyard Pergola Purlins