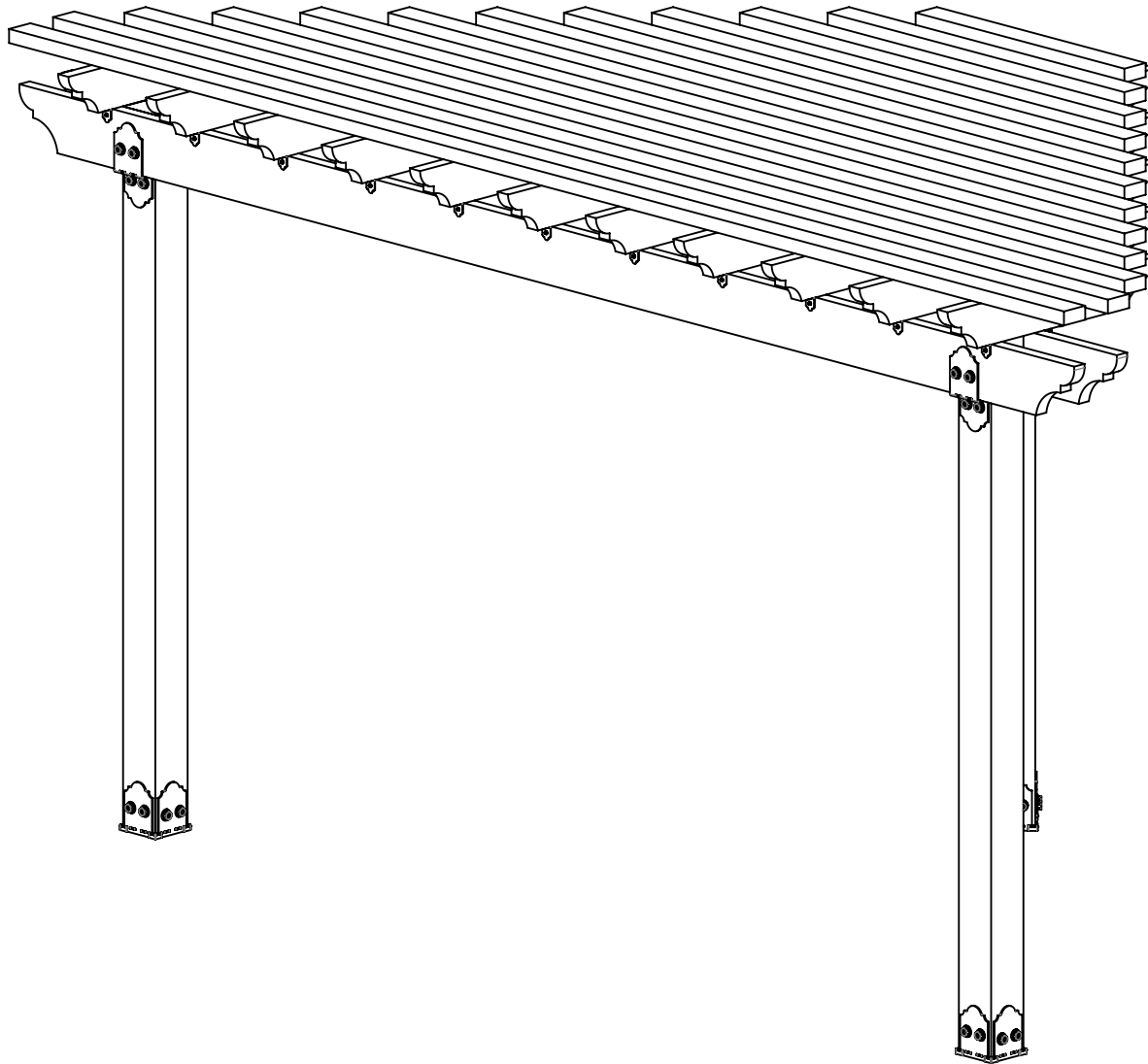
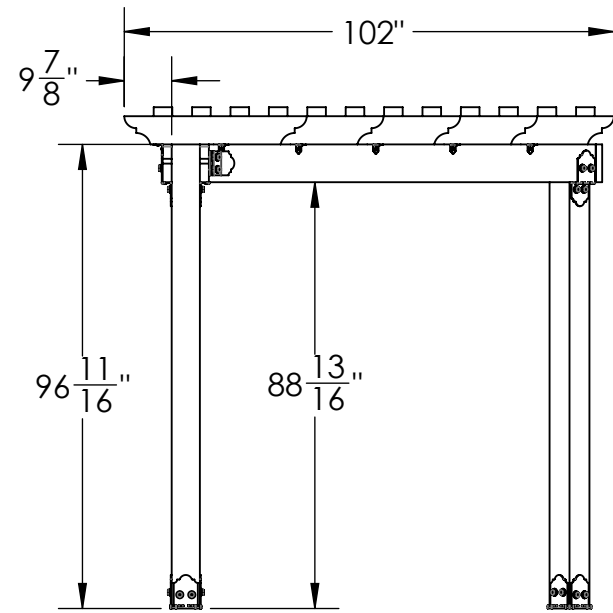
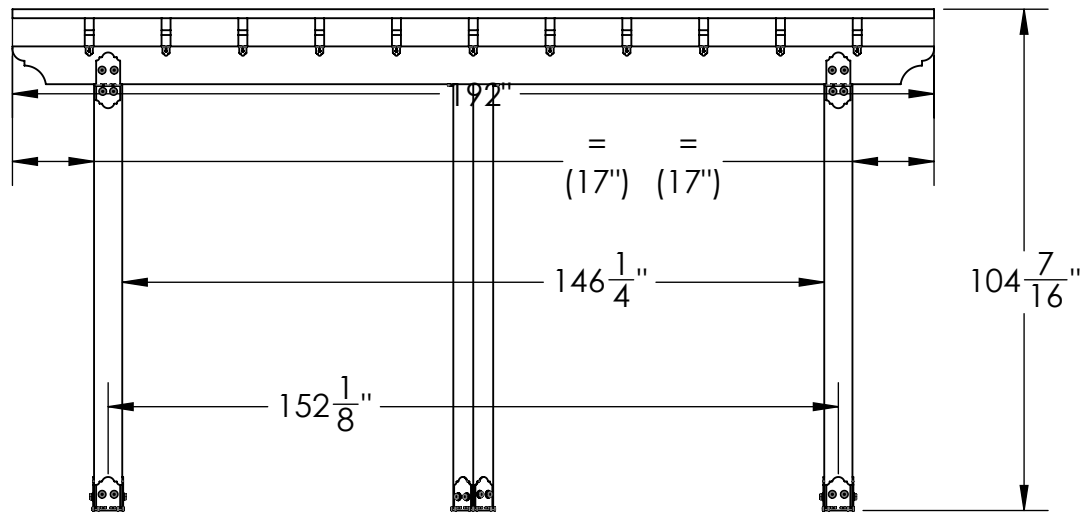
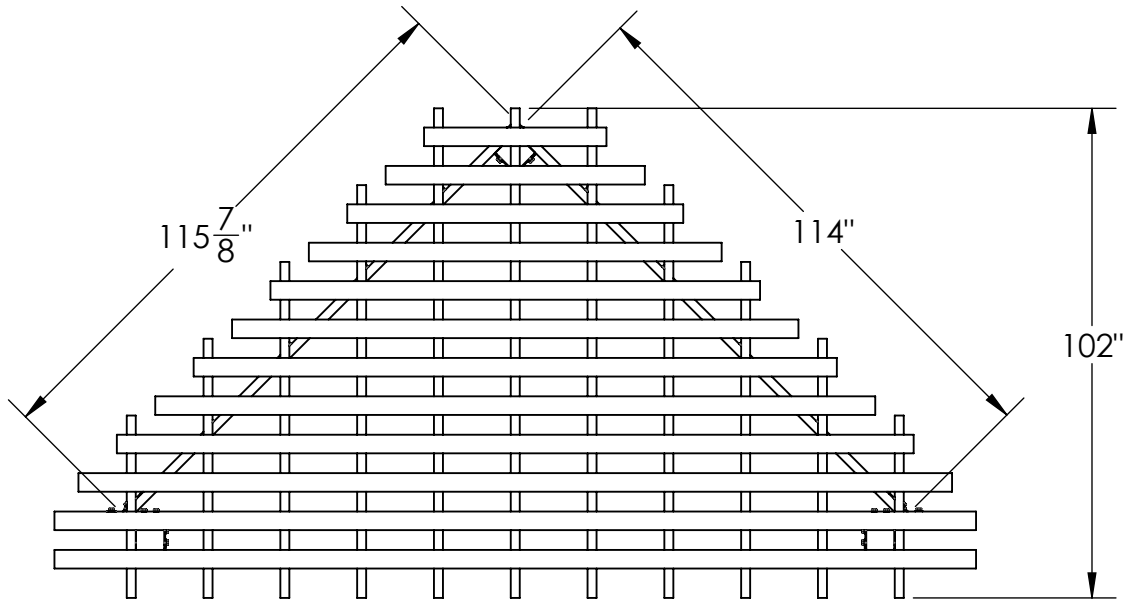


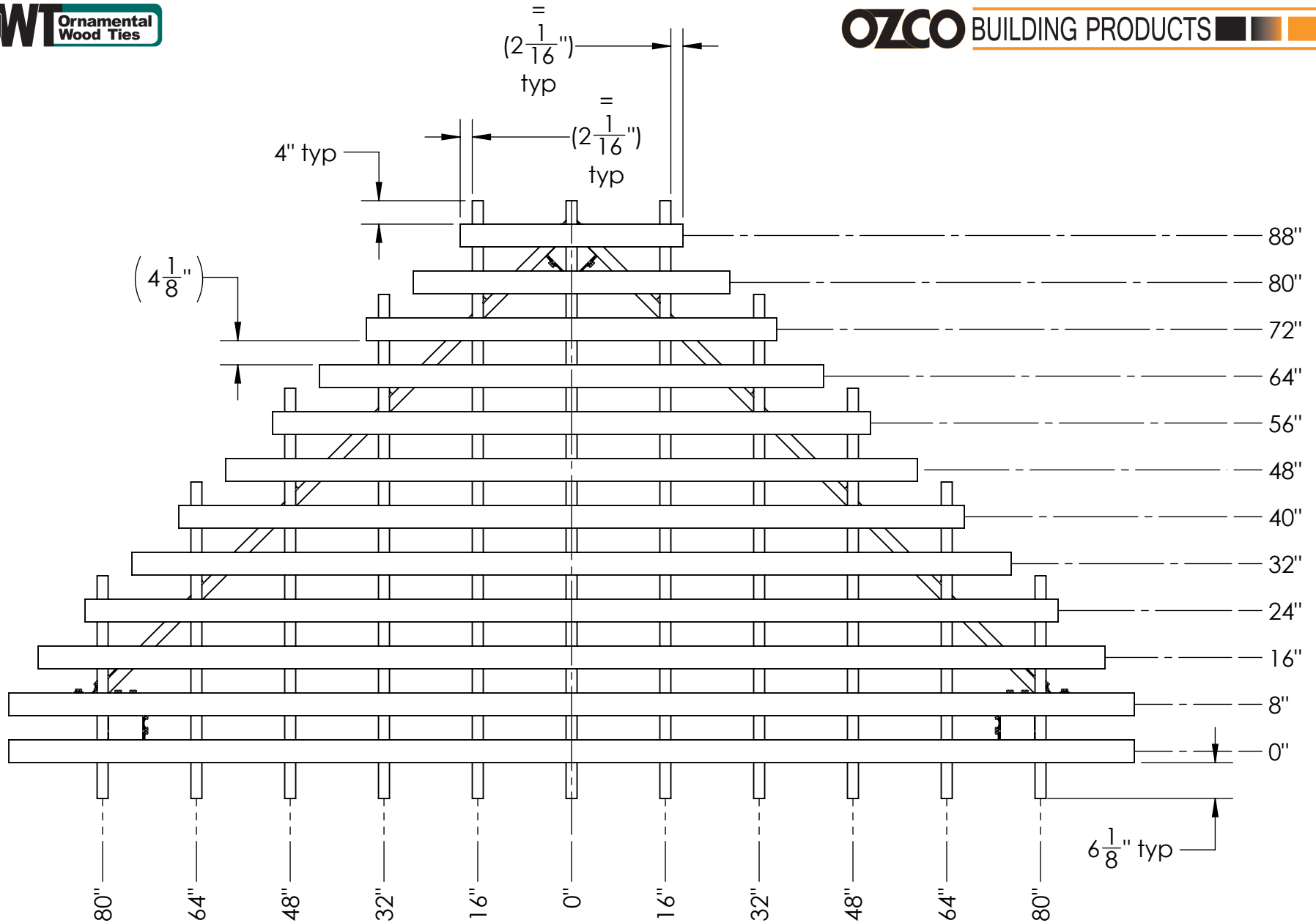
# Project 334 Corner Pergola



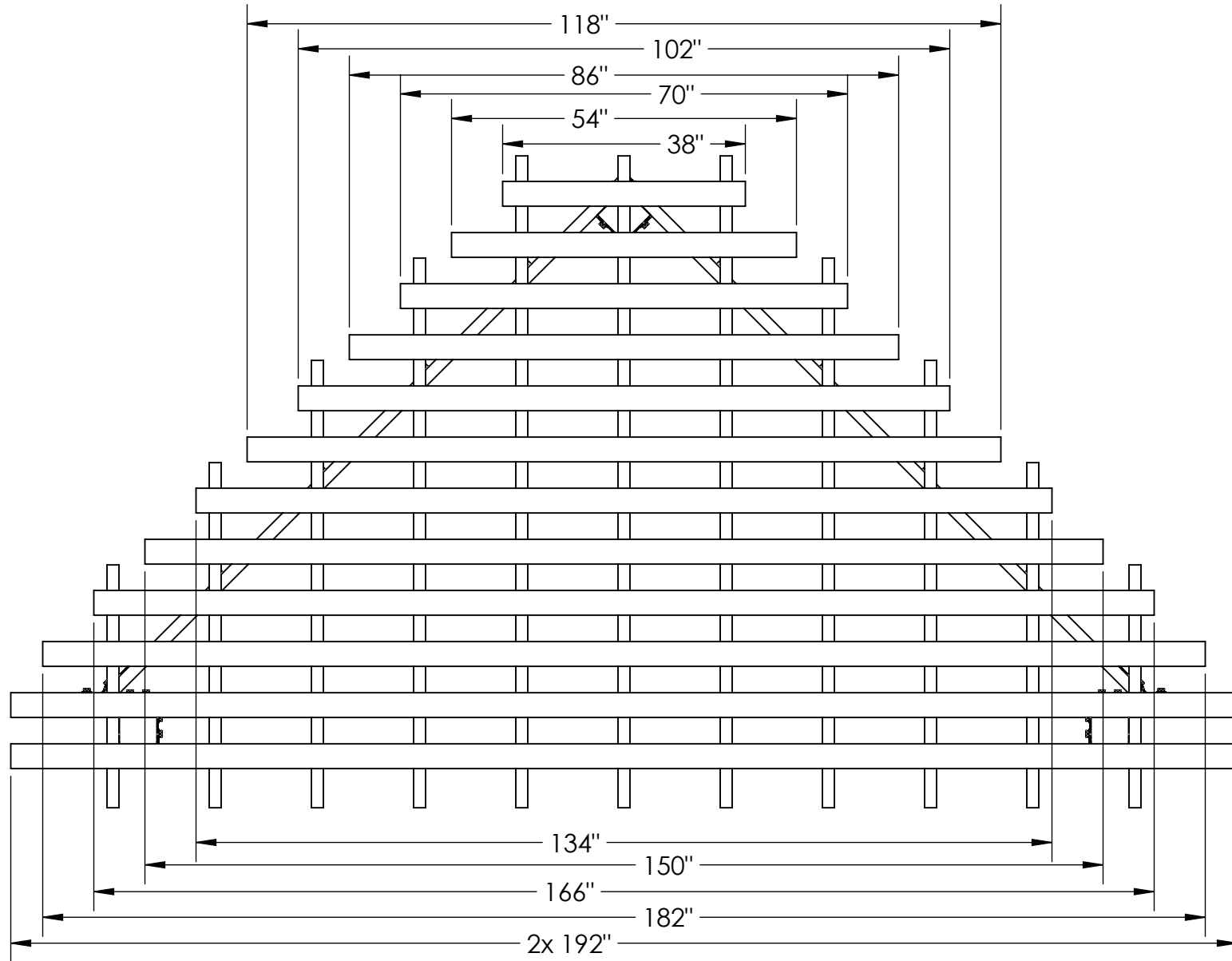


## Overview

Project 334 Corner Pergola

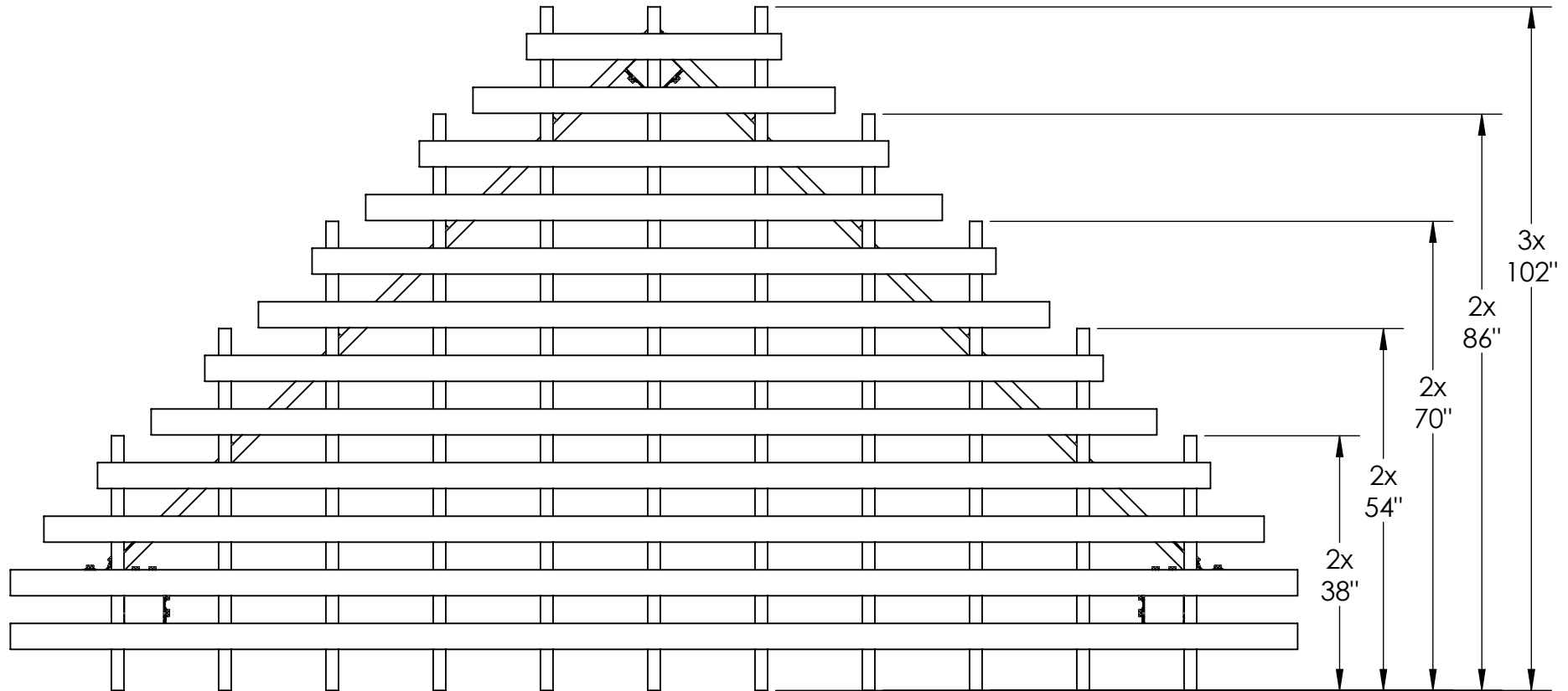


## Overview (continue)



## Overview (continue)

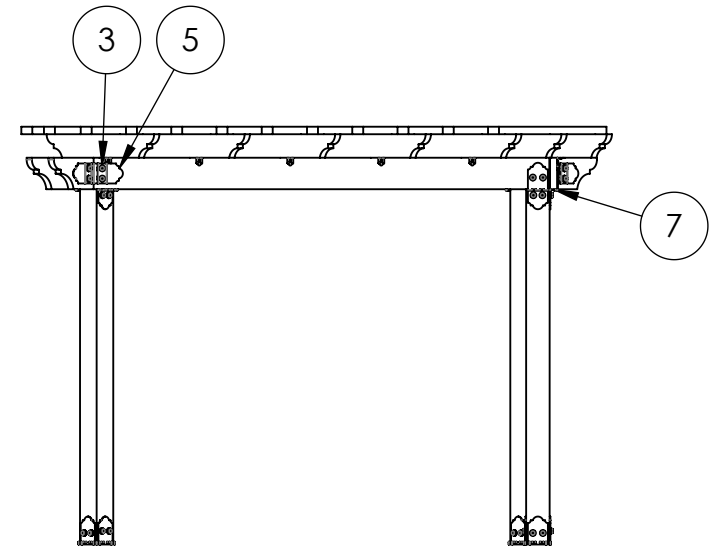
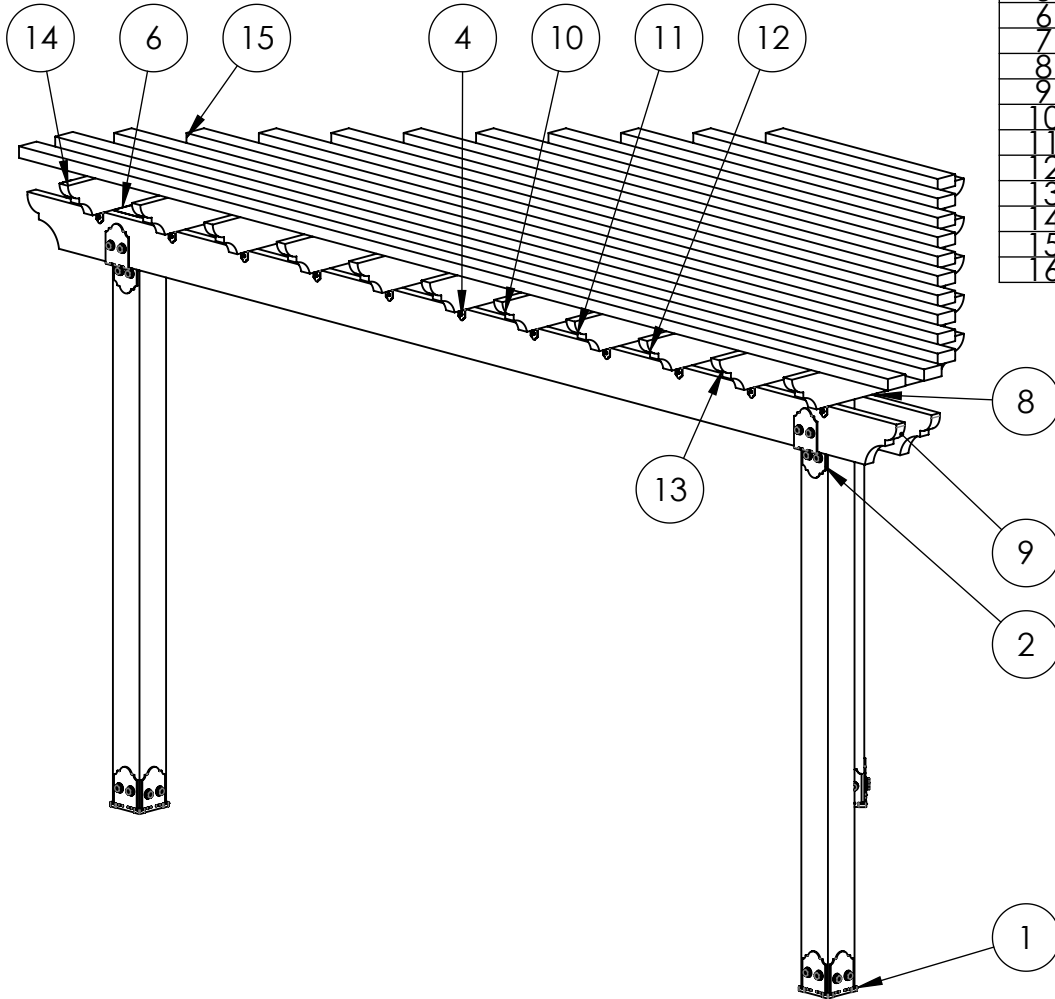
Project 334 Corner Pergola



## Overview (continue)

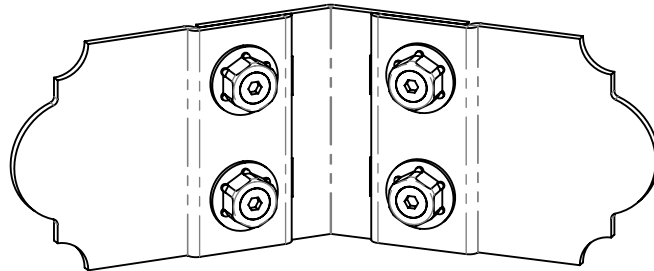
Project 334 Corner Pergola

ITEM NO.	QTY.	PART NUMBER	DESCRIPTION
1	3	56608	Assembly, 6x6 Post Base
2	3	56610	8" Post to Beam
3	2	56616	45 Flush Inside
4	3	56617	Assembly, 2" Rafter Clip
5	2	56611	Truss Accent
6	3	6x6 Cedar Post	see cut list
7	1	2x8 Cedar Board	see cut list
8	1	2x8 Cedar Board	see cut list
9	2	2x8 Cedar Board	see cut list
10	3	2x6 Cedar Board	see cut list
11	2	2x6 Cedar Board	see cut list
12	2	2x6 Cedar Board	see cut list
13	2	2x6 Cedar Board	see cut list
14	2	2x6 Cedar Board	see cut list
15	12	2x4 Cedar Board	see cut list
16	-	-	Nails or Screws

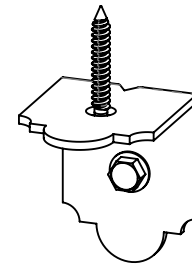


## Bill of Material

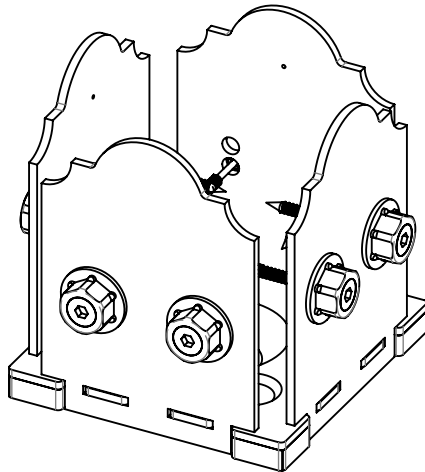
Project 334 Corner Pergola



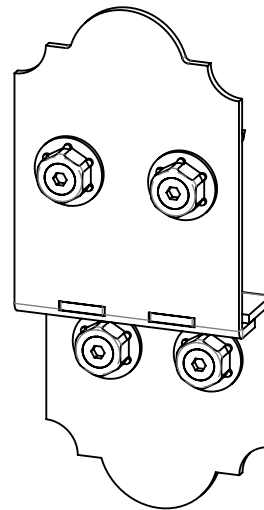
56611 & 56616  
(2 pack)



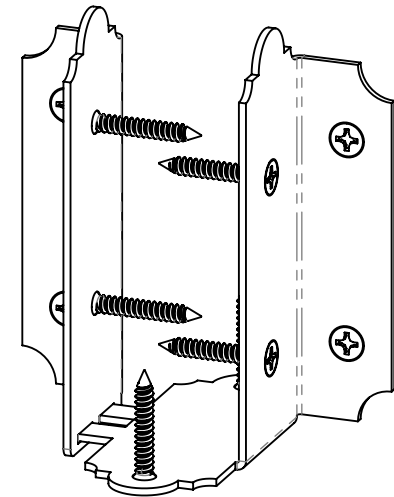
56617  
(10 pack)



56608



56610  
(2 pack)



56640  
(6 pack)





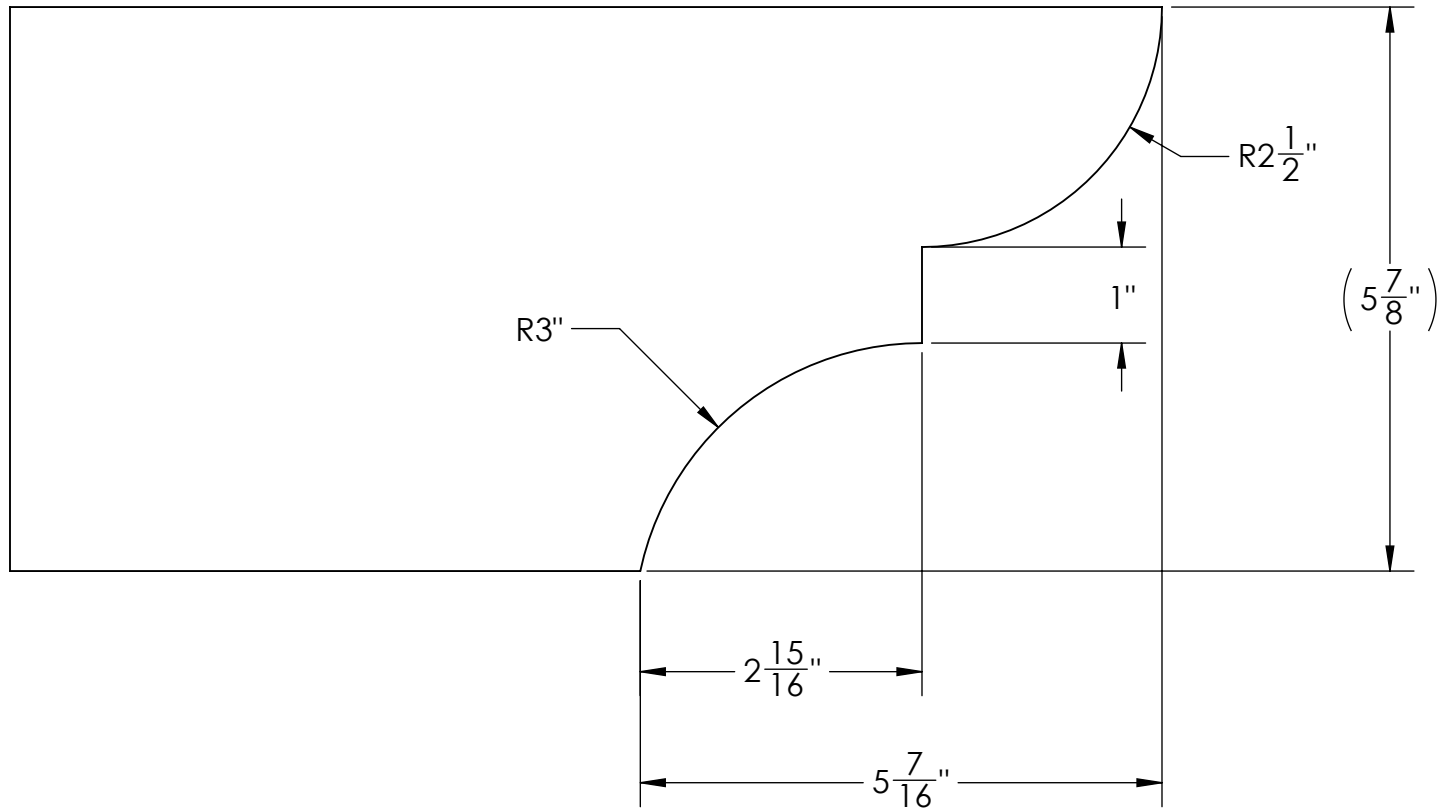
## Suggested Tools

(others may be required)

**Project 334 Corner Pergola**

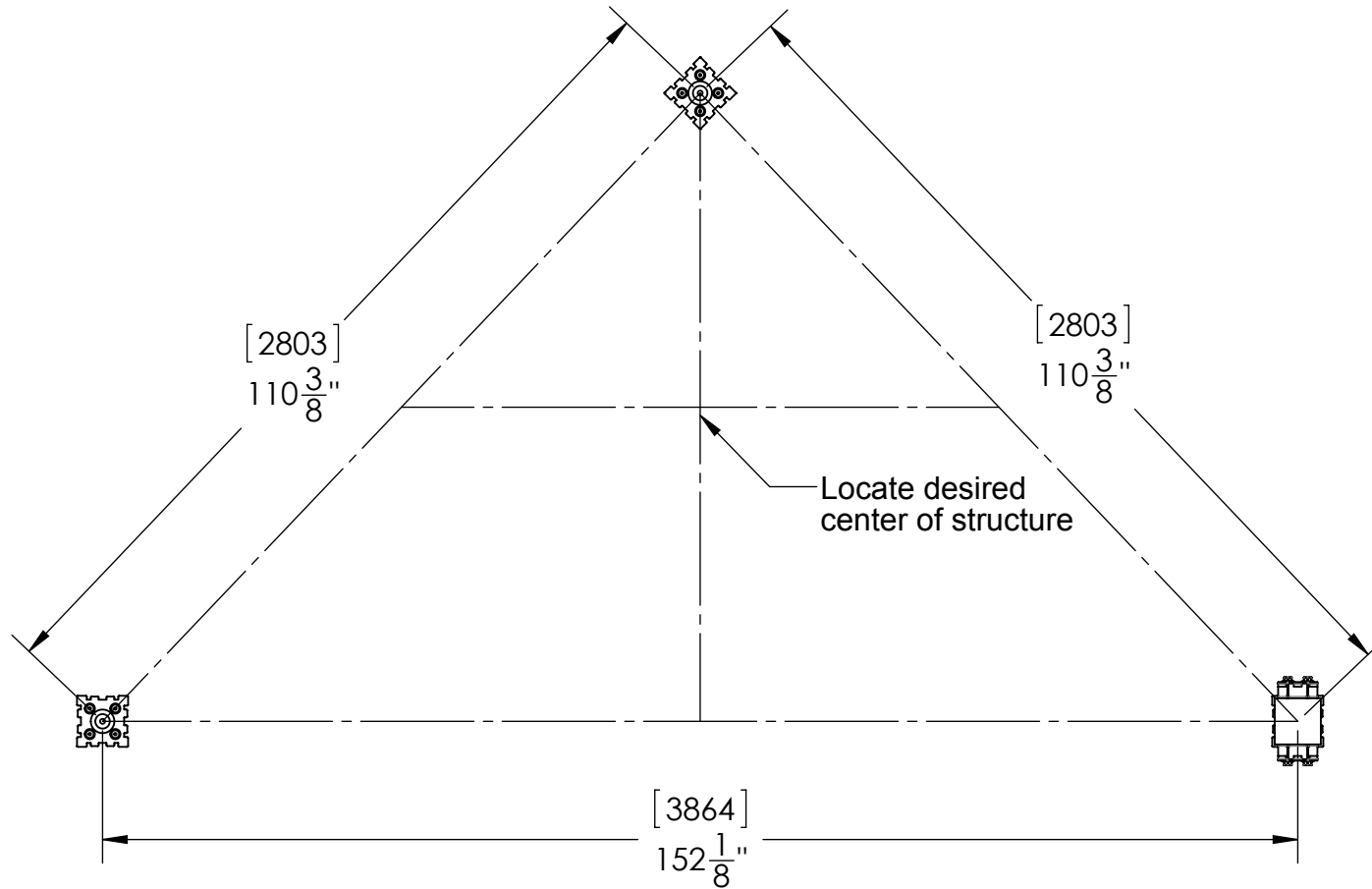


6x6			
qty	bought length	cut length	notes
3	8'	no cut	-
2x8			
qty	bought length	cut length	notes
1	10'	115-7/8"	decora cut both ends; see template
1	10'	114"	decora cut both ends; see template
2	16'	no cut	decora cut both ends; see template
2x6			
qty	bought length	cut length	notes
2	8'	38" & 54"	2 pieces from each board; decora cut both ends; see template
2	12'	70"	decora cut both ends; see template
2	16'	86"	decora cut both ends; see template
3	10'	102"	decora cut both ends; see template
2x4			
qty	bought length	cut length	notes
1	12'	38" & 102"	2 pieces from each board
1	16'	54" & 70"	2 pieces from each board
1	8'	86"	-
1	12'	118"	-
1	12'	134"	-
1	16'	150"	-
1	16'	166"	-
1	16'	182"	-
2	16'	no cut	-



**Template**  
scale 1:2  
print 2x

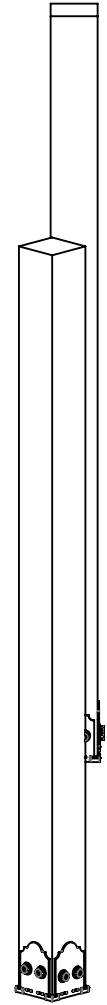
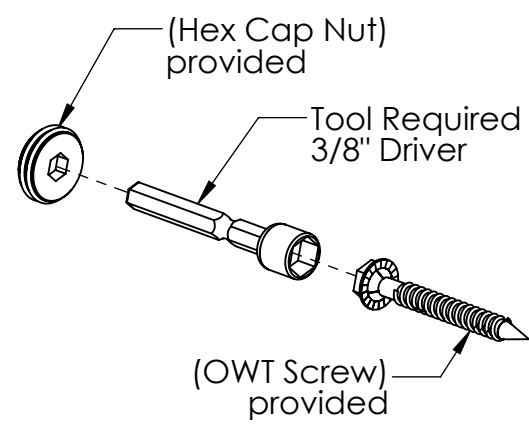
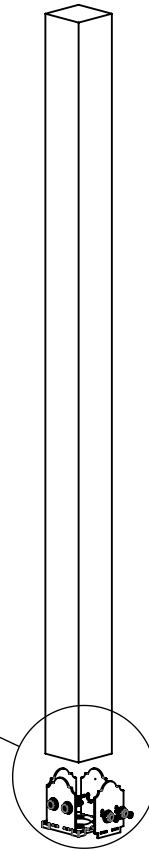
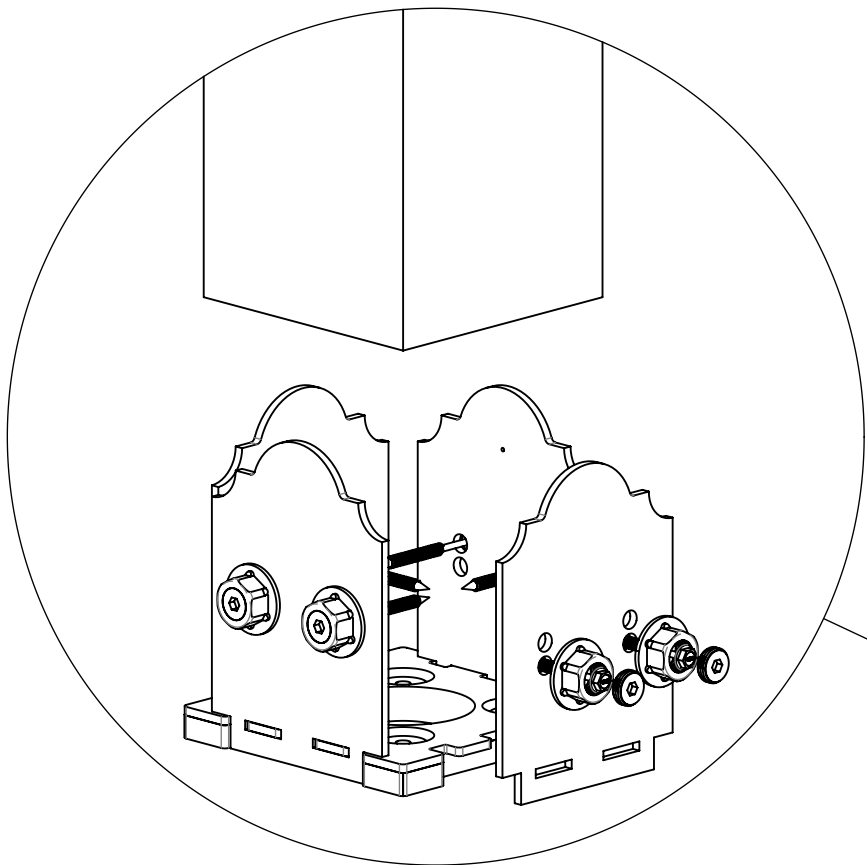
**Project 334 Corner Pergola**



if site is not level,  
see Ozco Site Leveling instruction

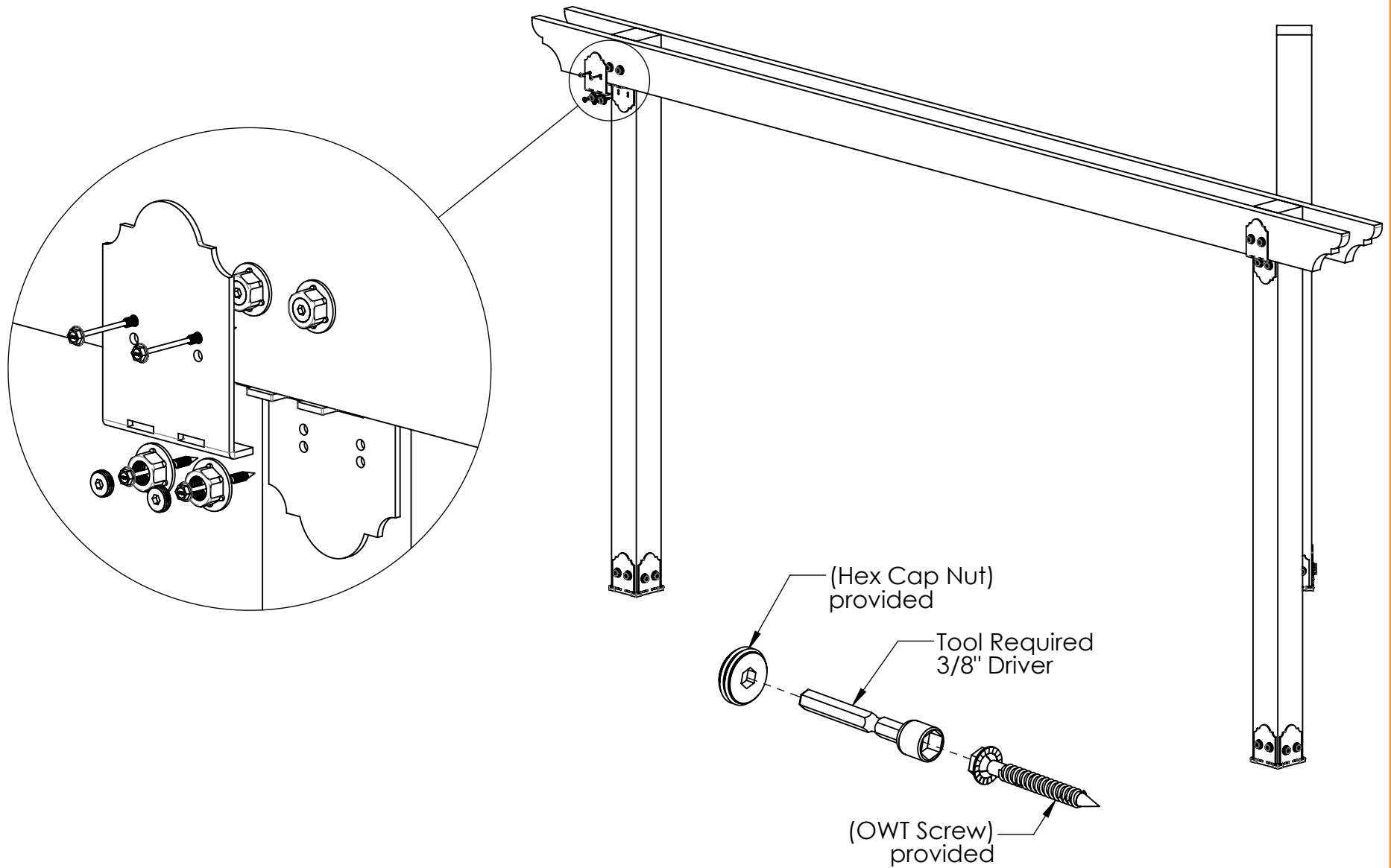


**site plan**



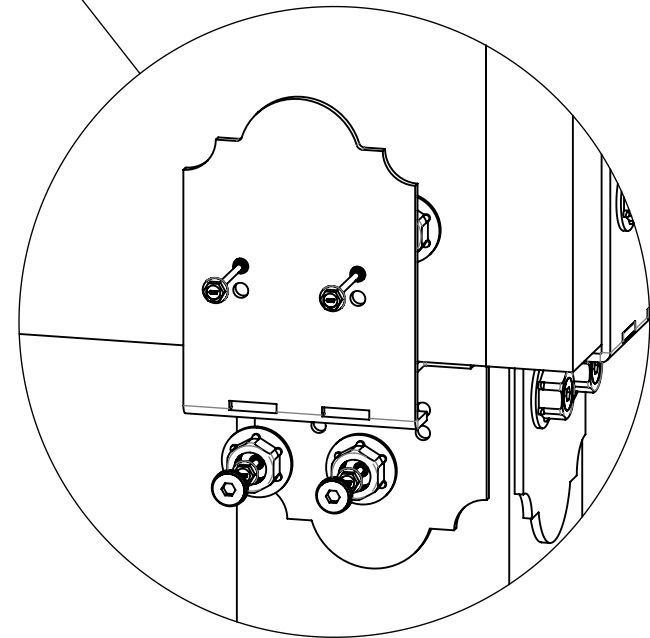
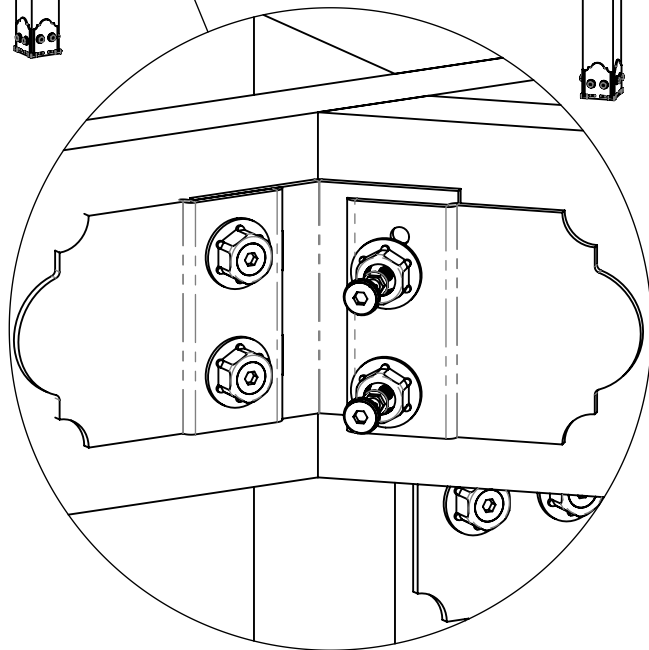
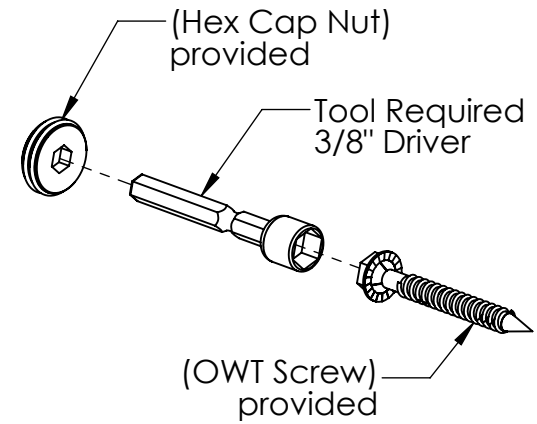
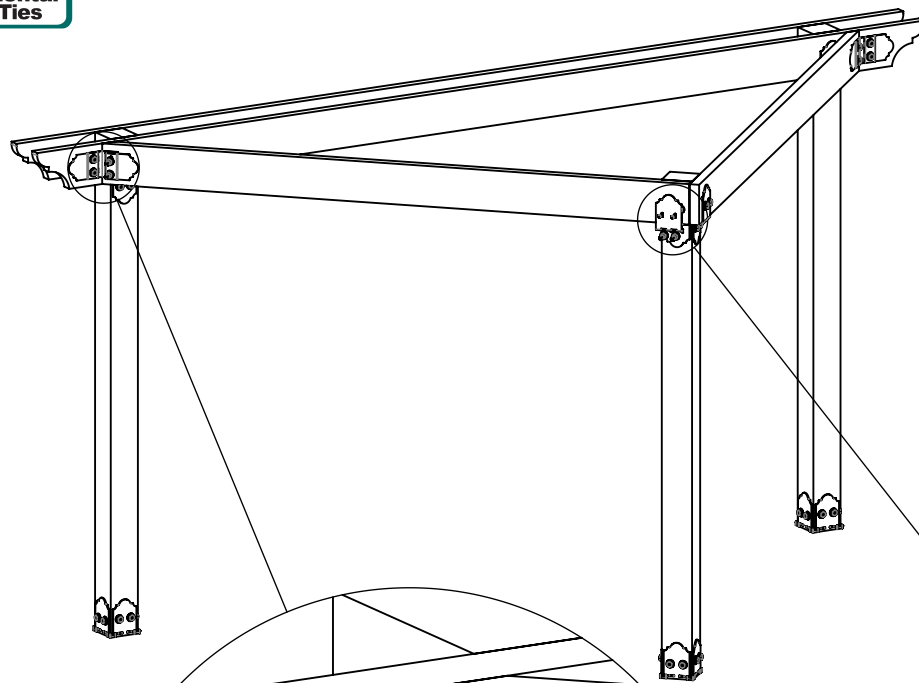
# step 1

Project 334 Corner Pergola



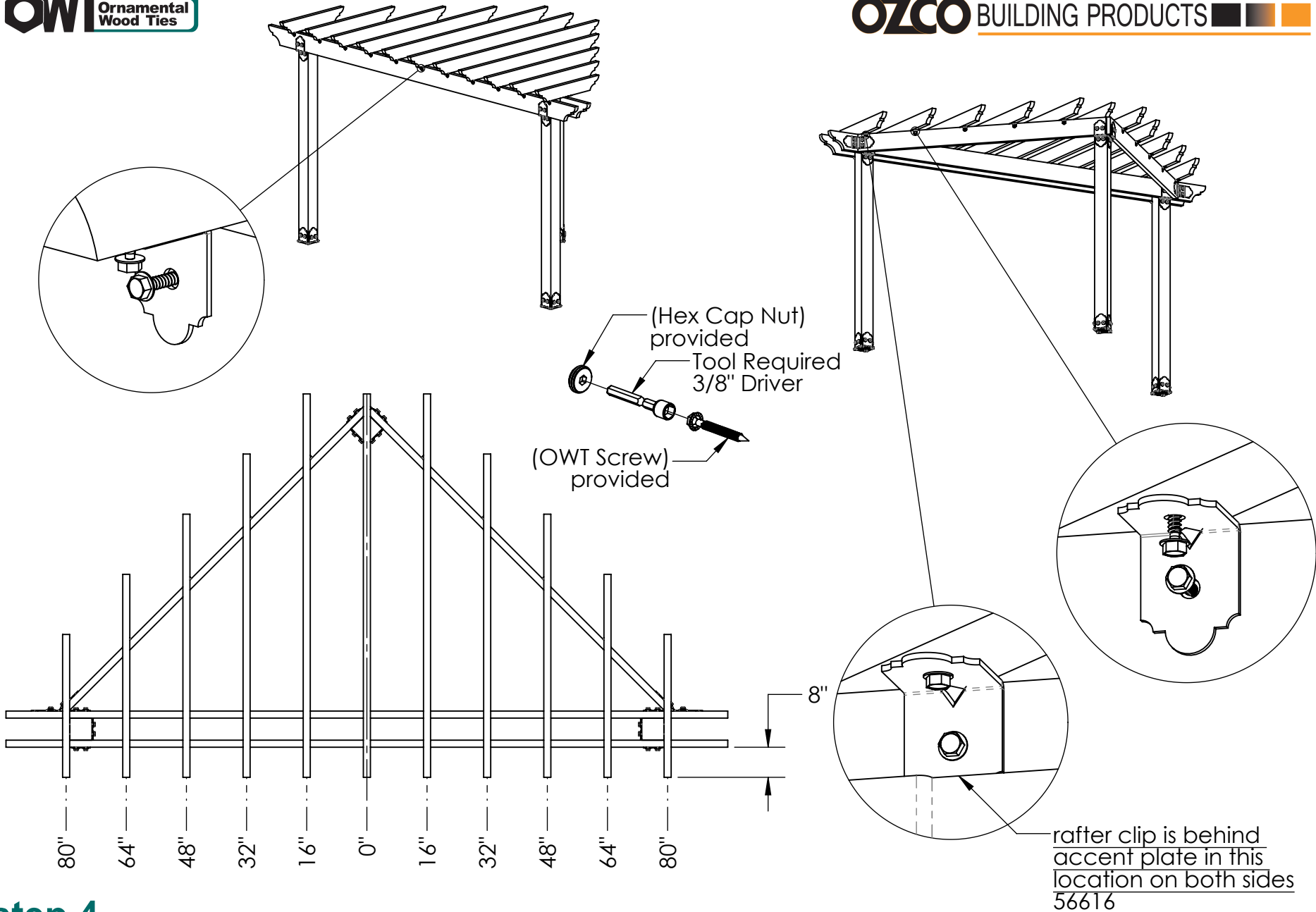
## step 2

Project 334 Corner Pergola



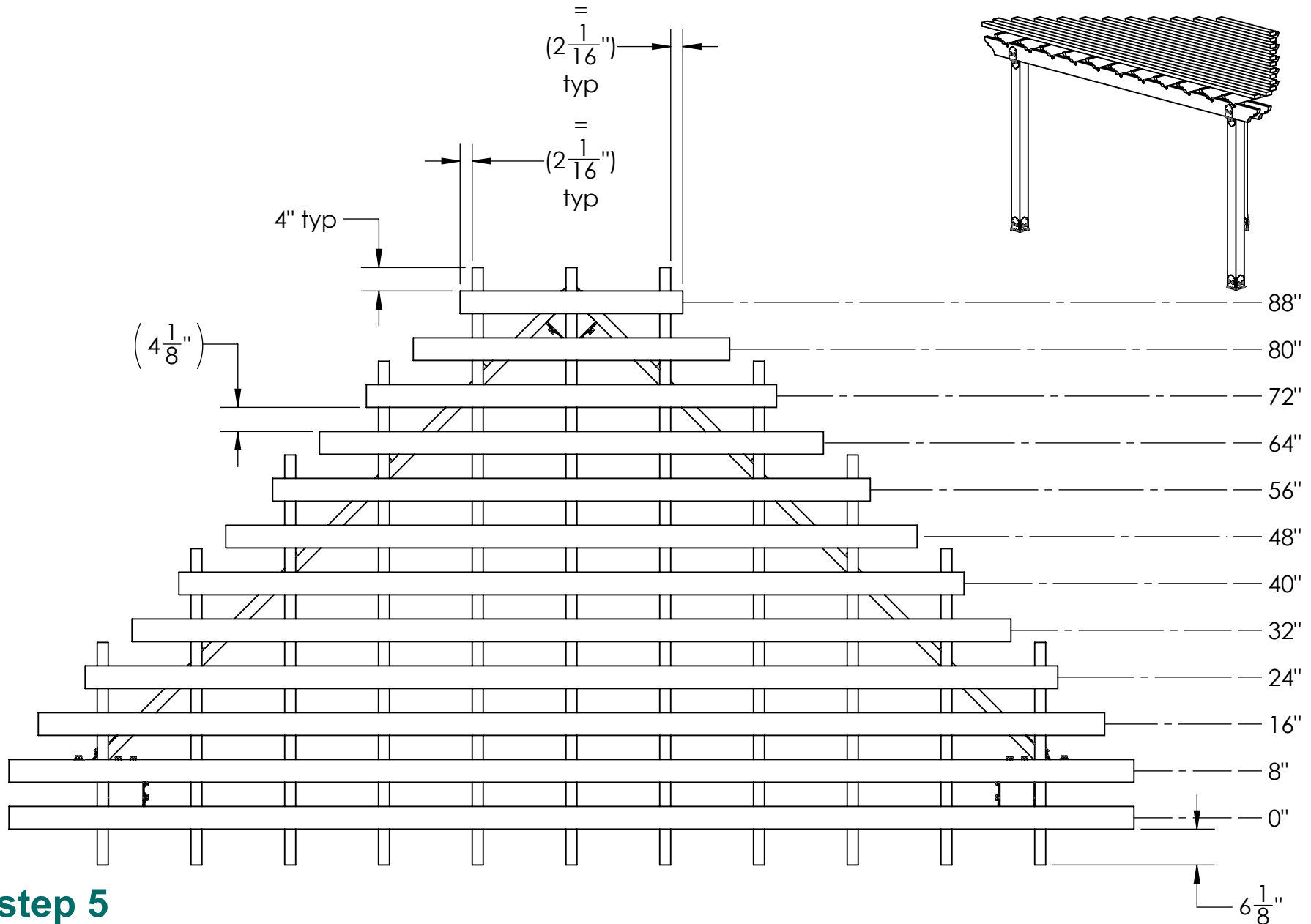
### step 3

Project 334 Corner Pergola



## step 4

Project 334 Corner Pergola



**step 5**

Project 334 Corner Pergola