

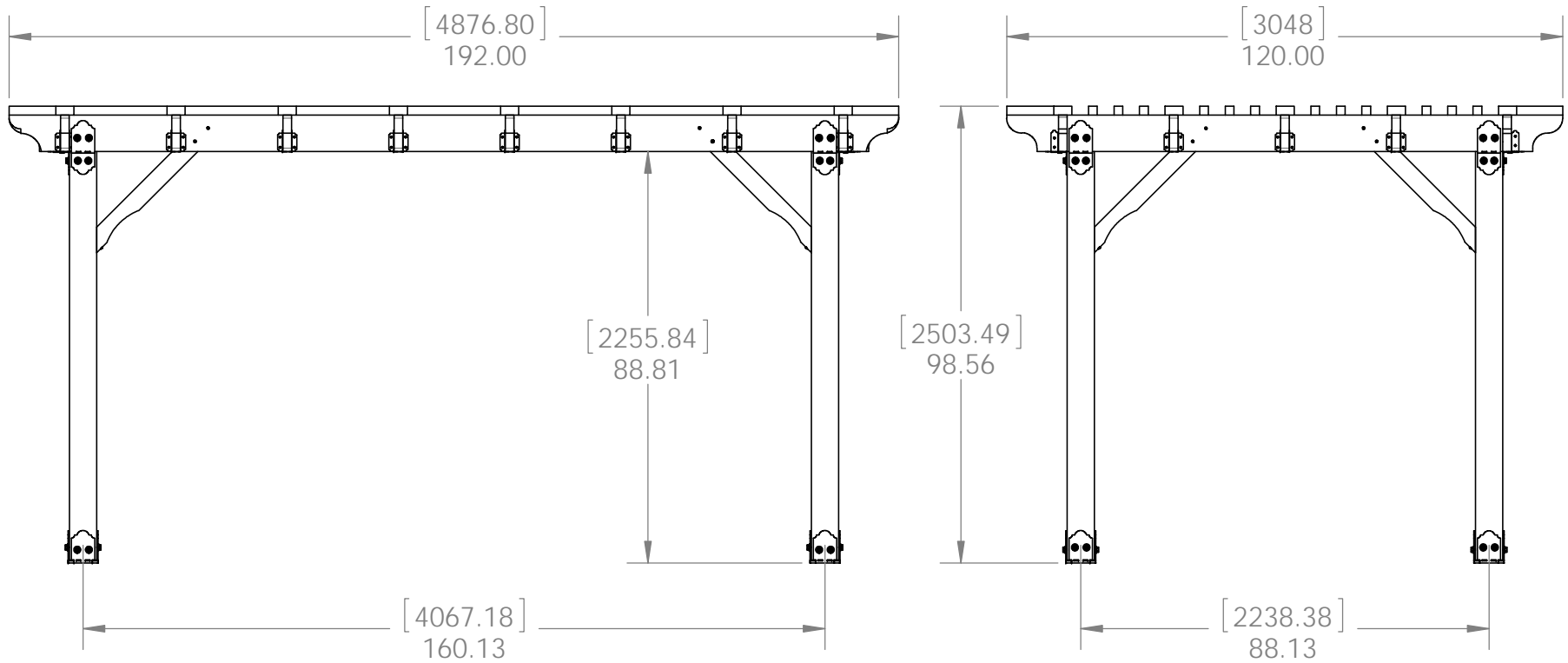
DESIGN

PURCHASE

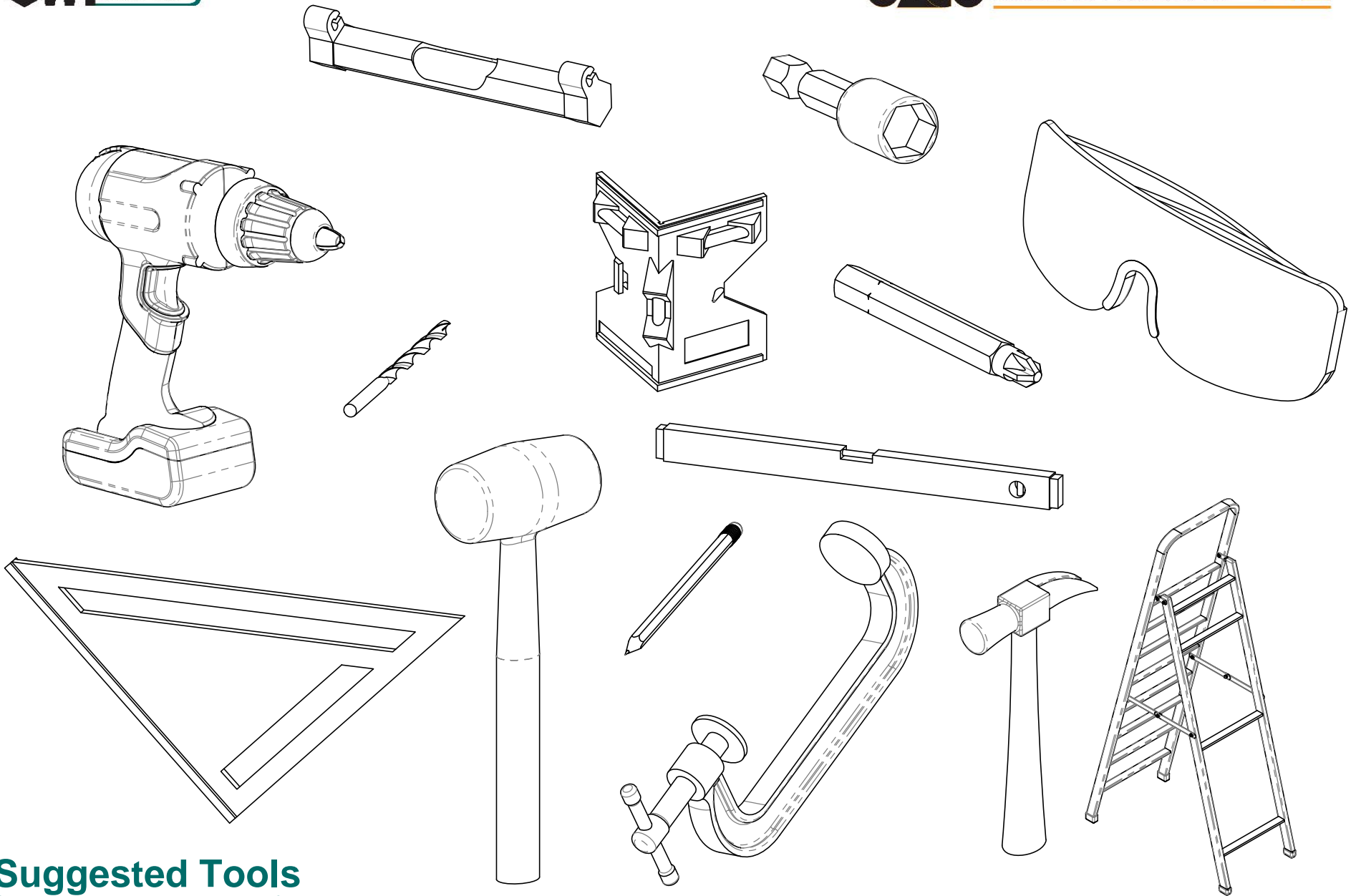
CONSTRUCT

ENJOY

Project 336 DIY Vineyard Pergola Overview (10x16)

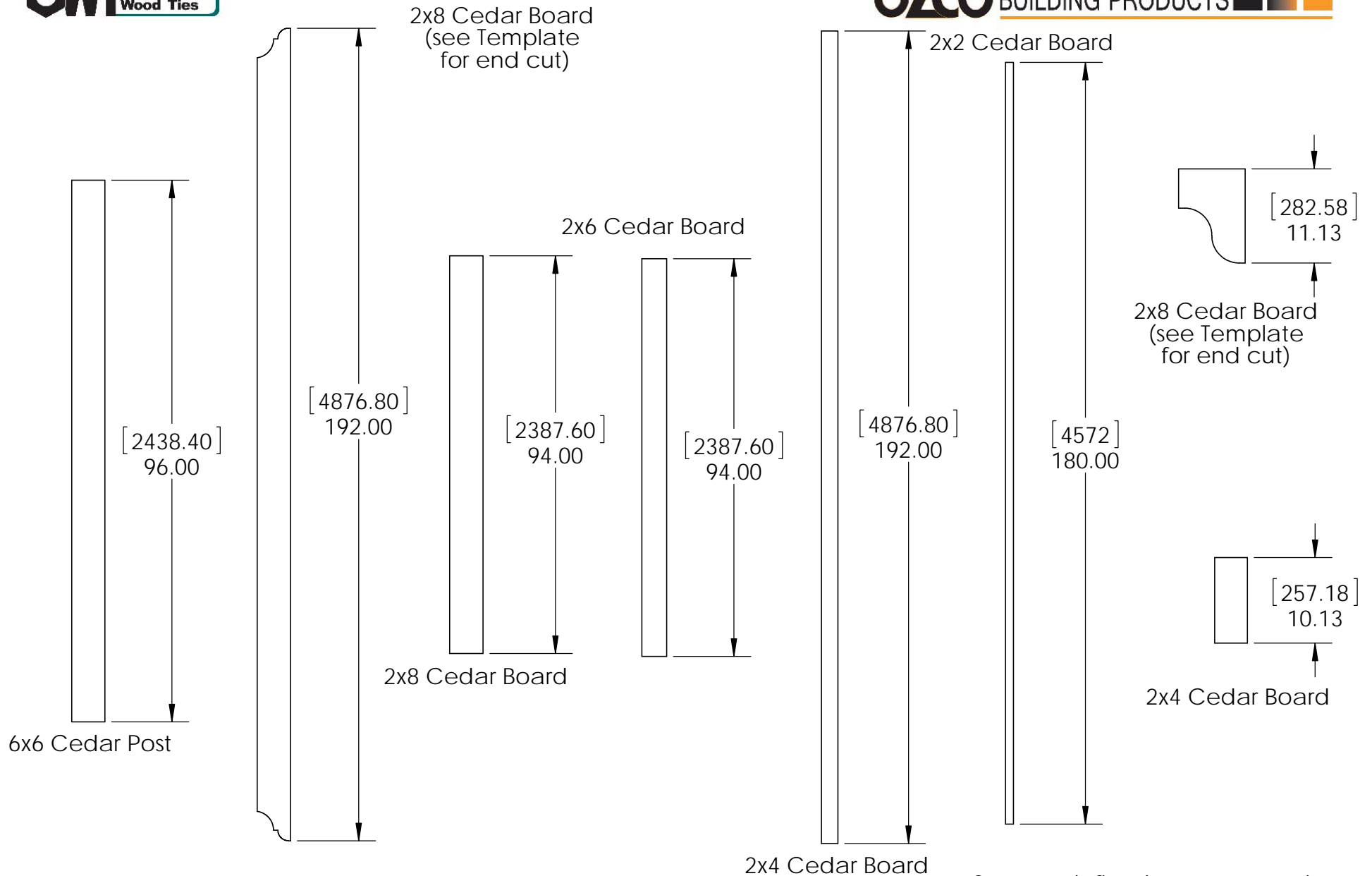


OZCO BUILDING PRODUCTS



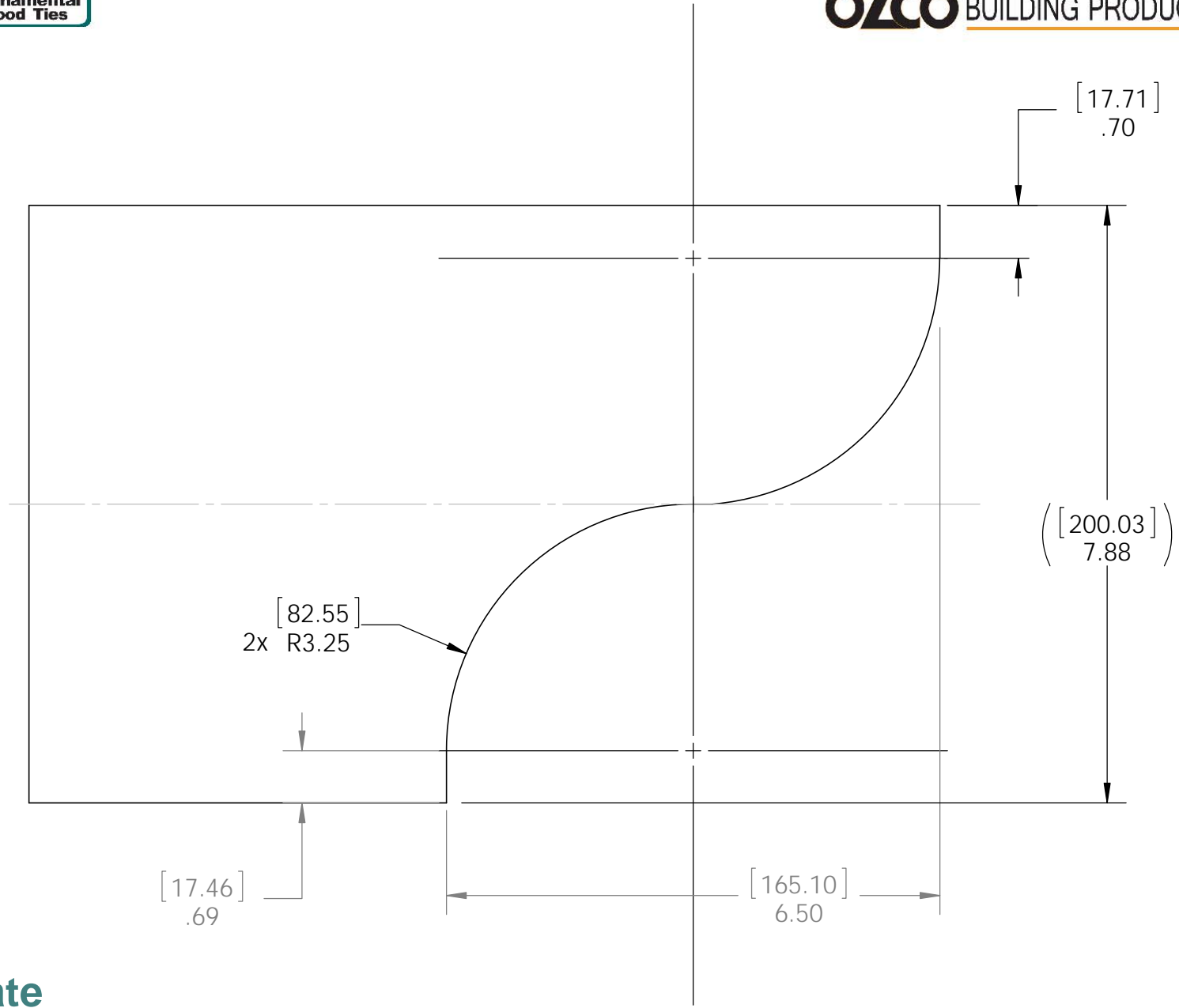
Suggested Tools
(others may be required)

DIY Vineyard Pergola Base



Support defined on separate sheet

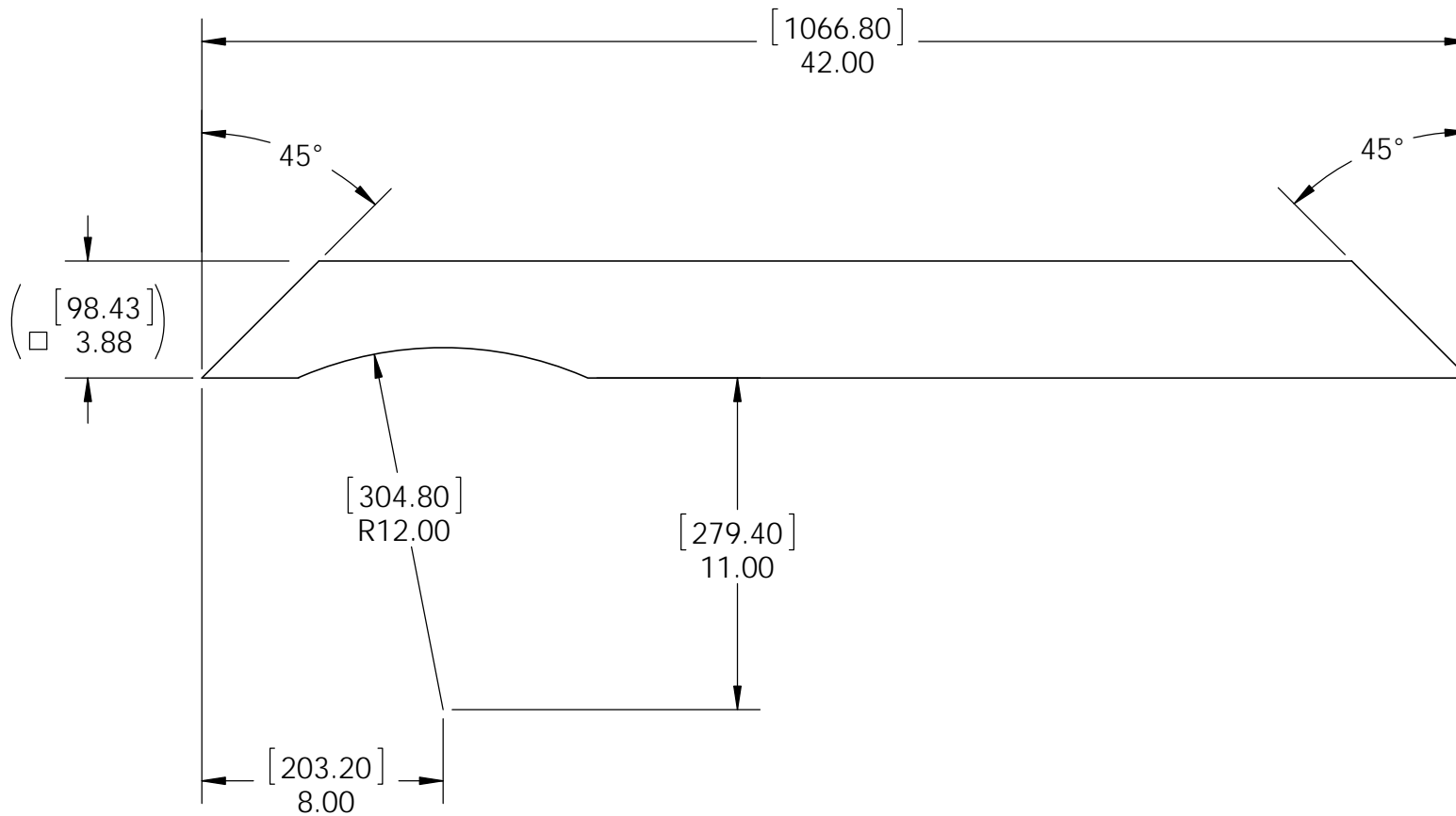
Project 336 DIY Vineyard Pergola (10x16) Cutlist



Template
(scale: 1/2)

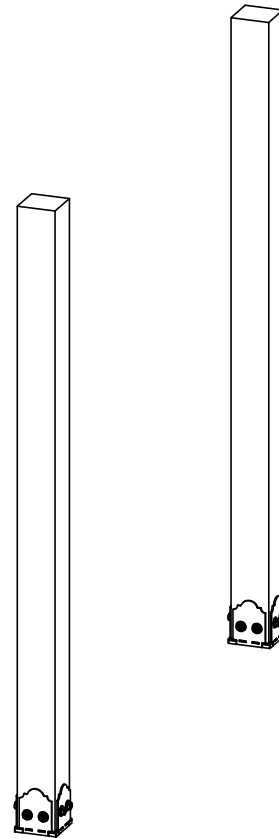
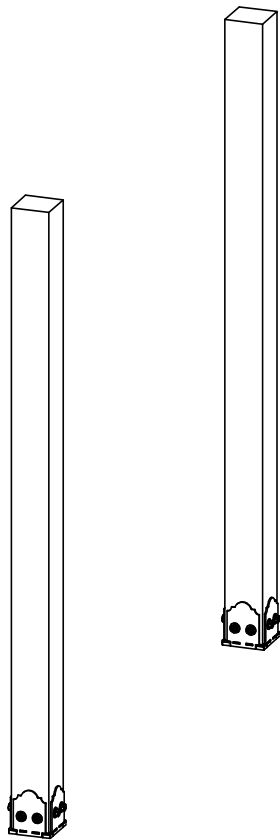
DIY Vineyard Pergola Beam & Support

V1.00 - Installation Instructions effective May 1, 2015 and reflects information that available as of April 10, 2014. This information is updated periodically and should not be relied upon after May 1, 2015. Please visit www.OZCOBP.com to get current information



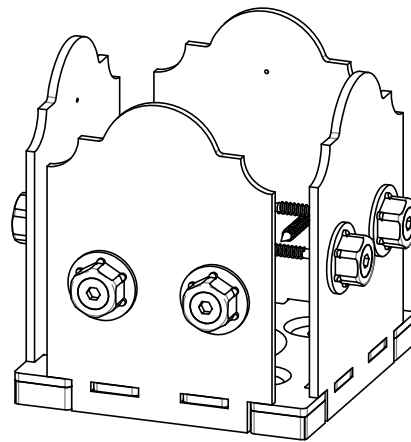
Support

DIY Vineyard Pergola Beam & Support



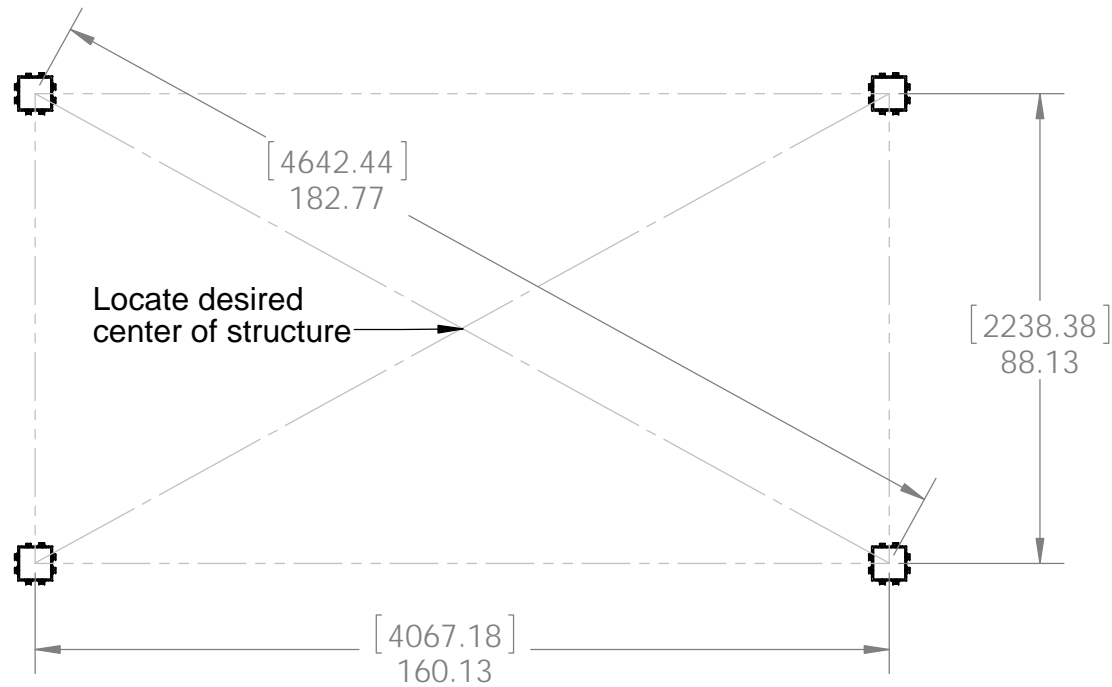
Project 336 (10x16)

DIY Vineyard Pergola Base



56608



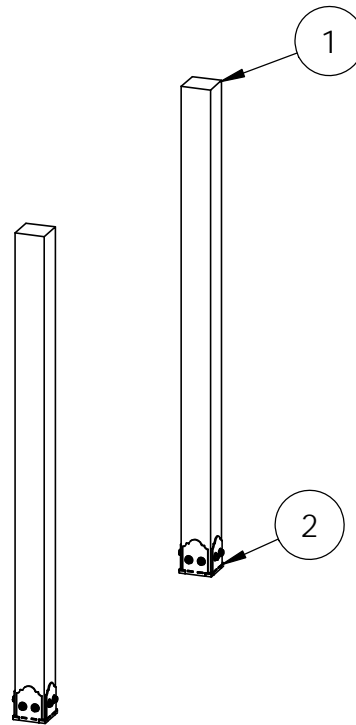
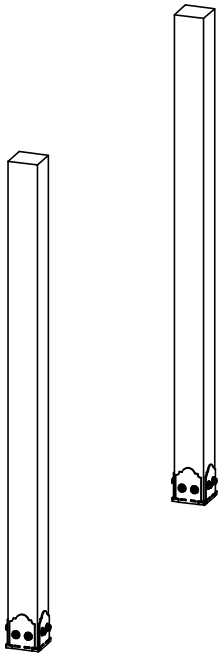


if site is not level,
see Ozco Site Leveling instruction

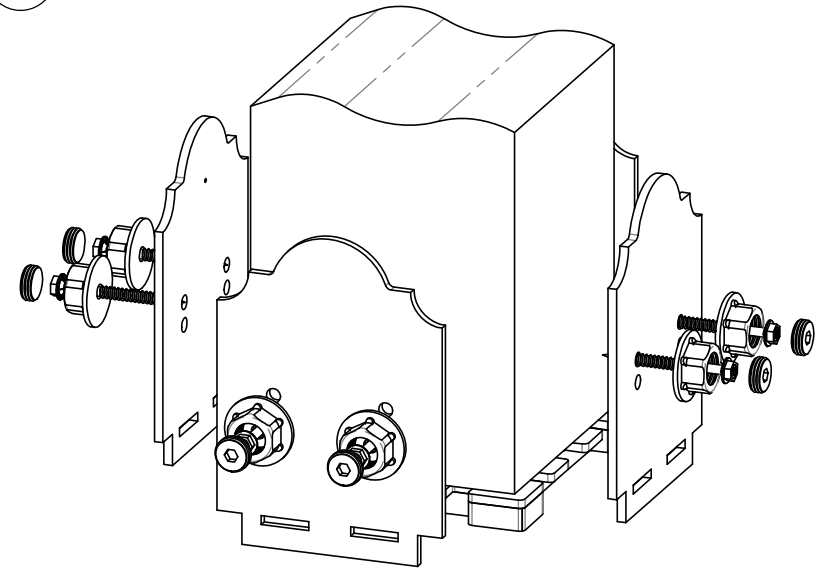


Project 336 (10x16)

DIY Vineyard Pergola Base



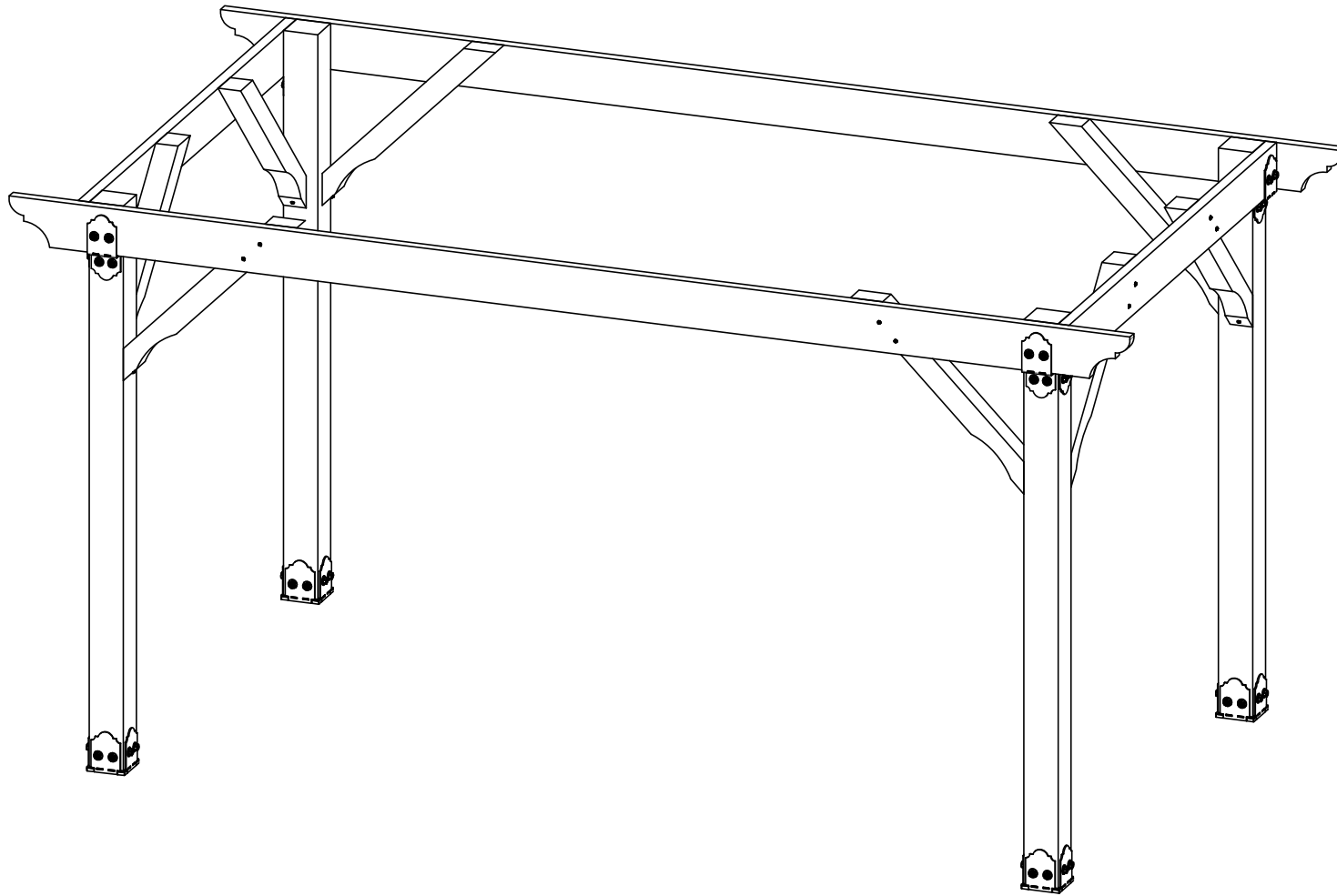
ITEM NO.	Project 336 (10x16)/10 x16/QTY.	PART NUMBER	DESCRIPTION
1	4	6x6 Cedar Post	6x6x96.00
2	4	56608	56608



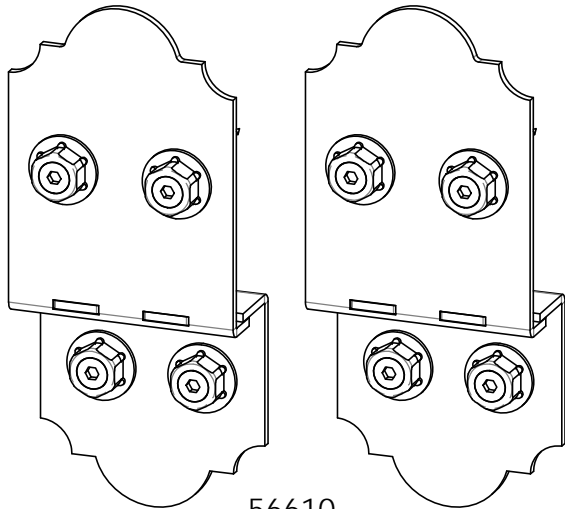
Project 336 (10x16)

DIY Vineyard Pergola Base

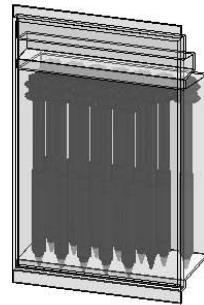
Beam & Support



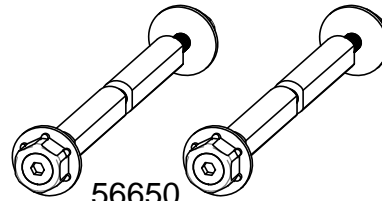
Project 336 (10x16) DIY Vineyard Pergola Beam & Support



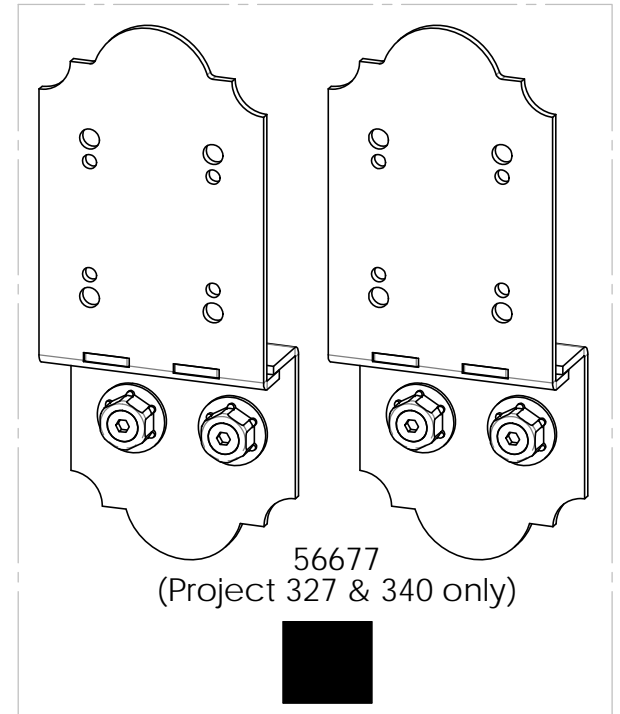
56610



56627
Box of 25

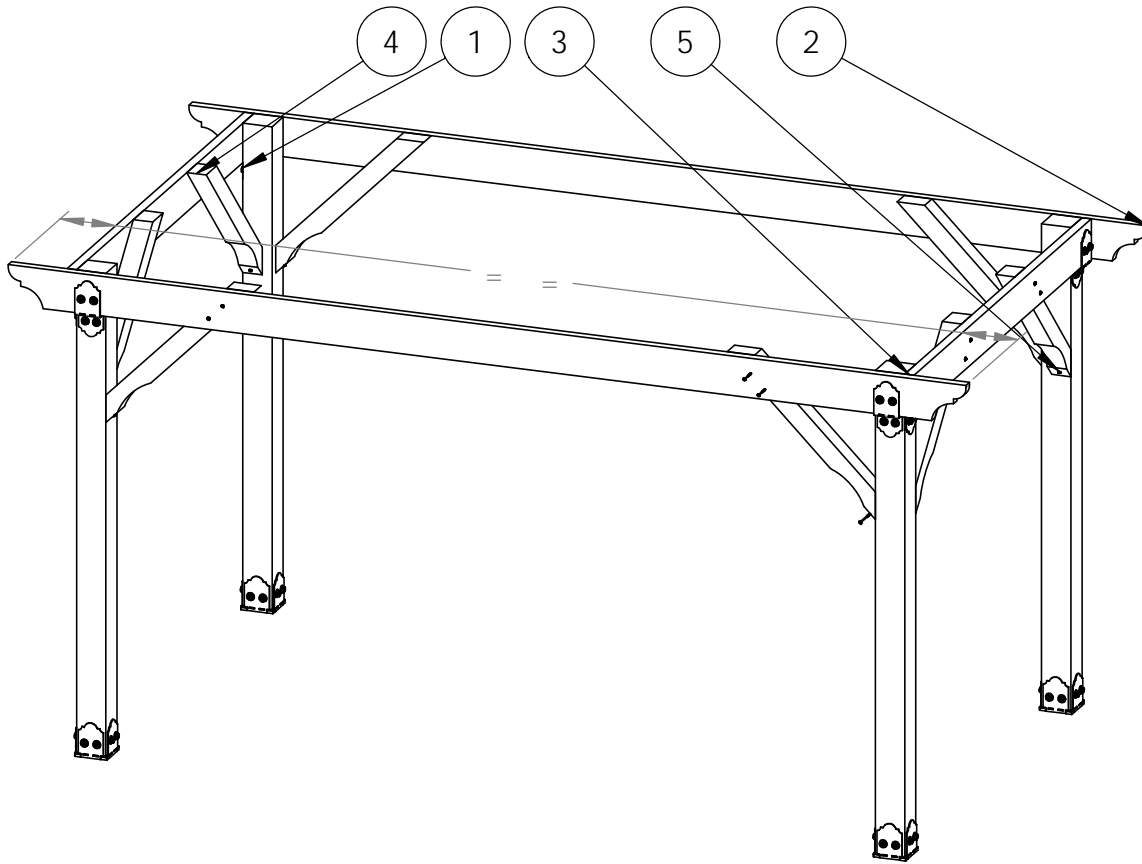


56650
(Project 327 & 340 only)

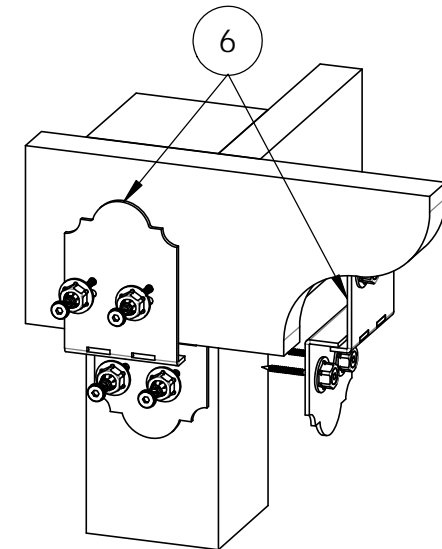


56677
(Project 327 & 340 only)





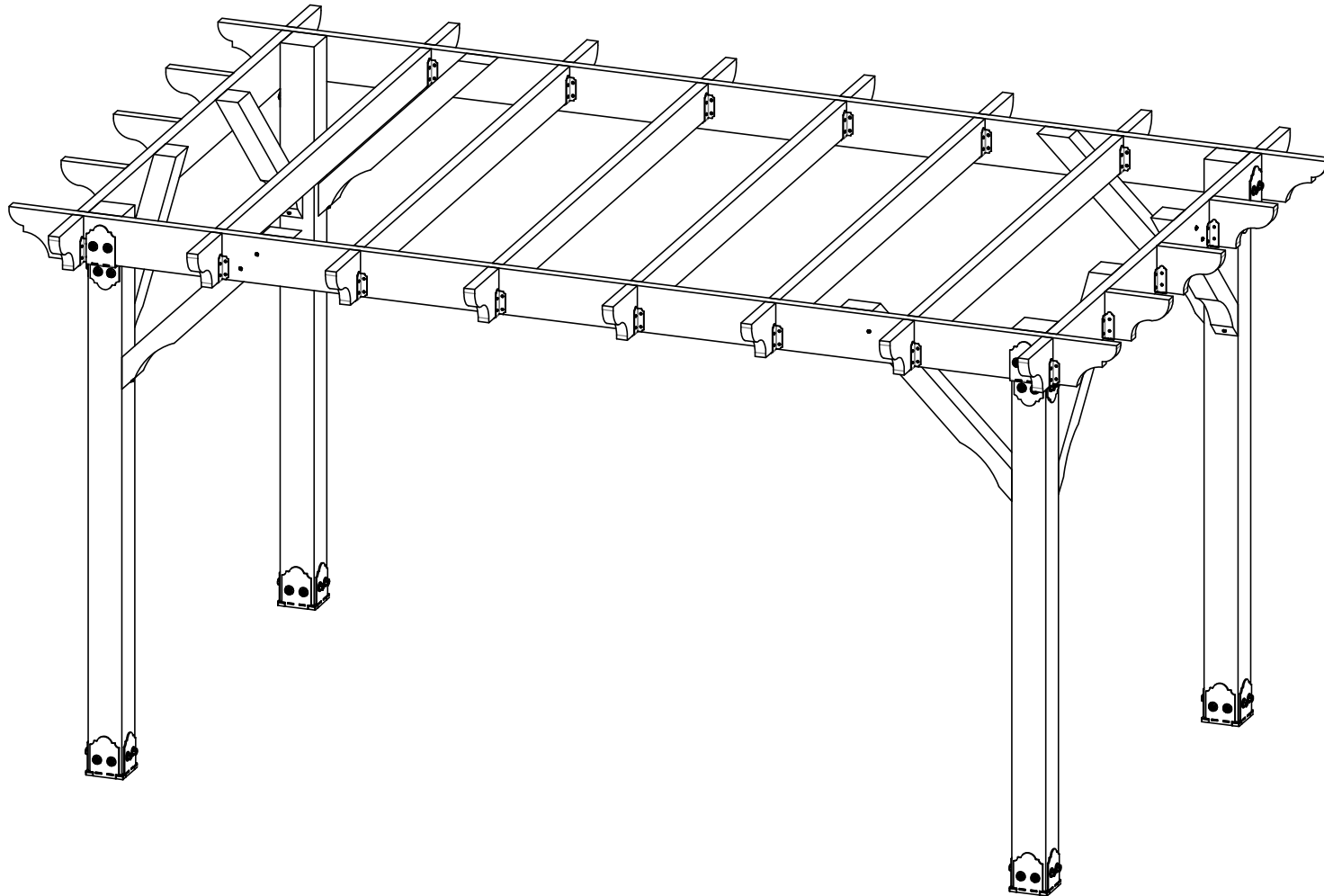
ITEM NO.	Project 336 (10x16)/QTY.	PART NUMBER	DESCRIPTION
1	1	DIY Vineyard Pergola Base	10x16
2	2	2x8 Cedar Board	2x8x192
3	2	2x8 Cedar Board	2x8x94
4	8	4x4 Cedar Post	4x4x42
5	1	56627	OWT Timber Screw 3-3/4"
6	4	56610	8" Post to Beam



Project 336 (10x16)

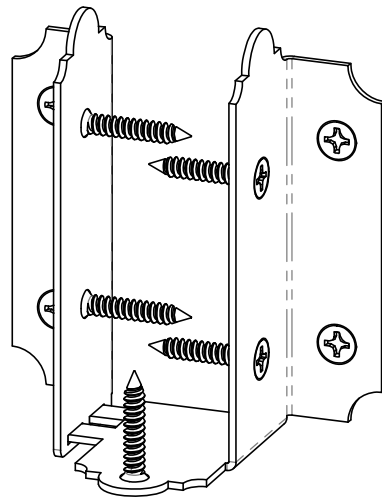
DIY Vineyard Pergola Beam & Support

Rafters

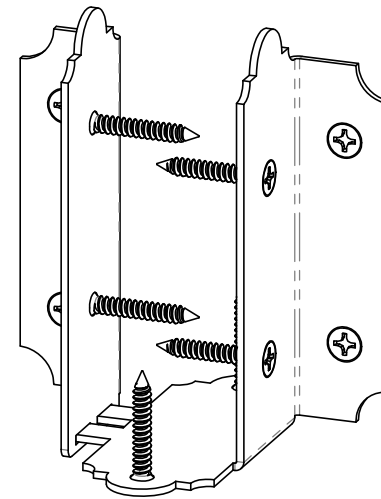


Project 336 (10x16)

DIY Vineyard Pergola Rafters

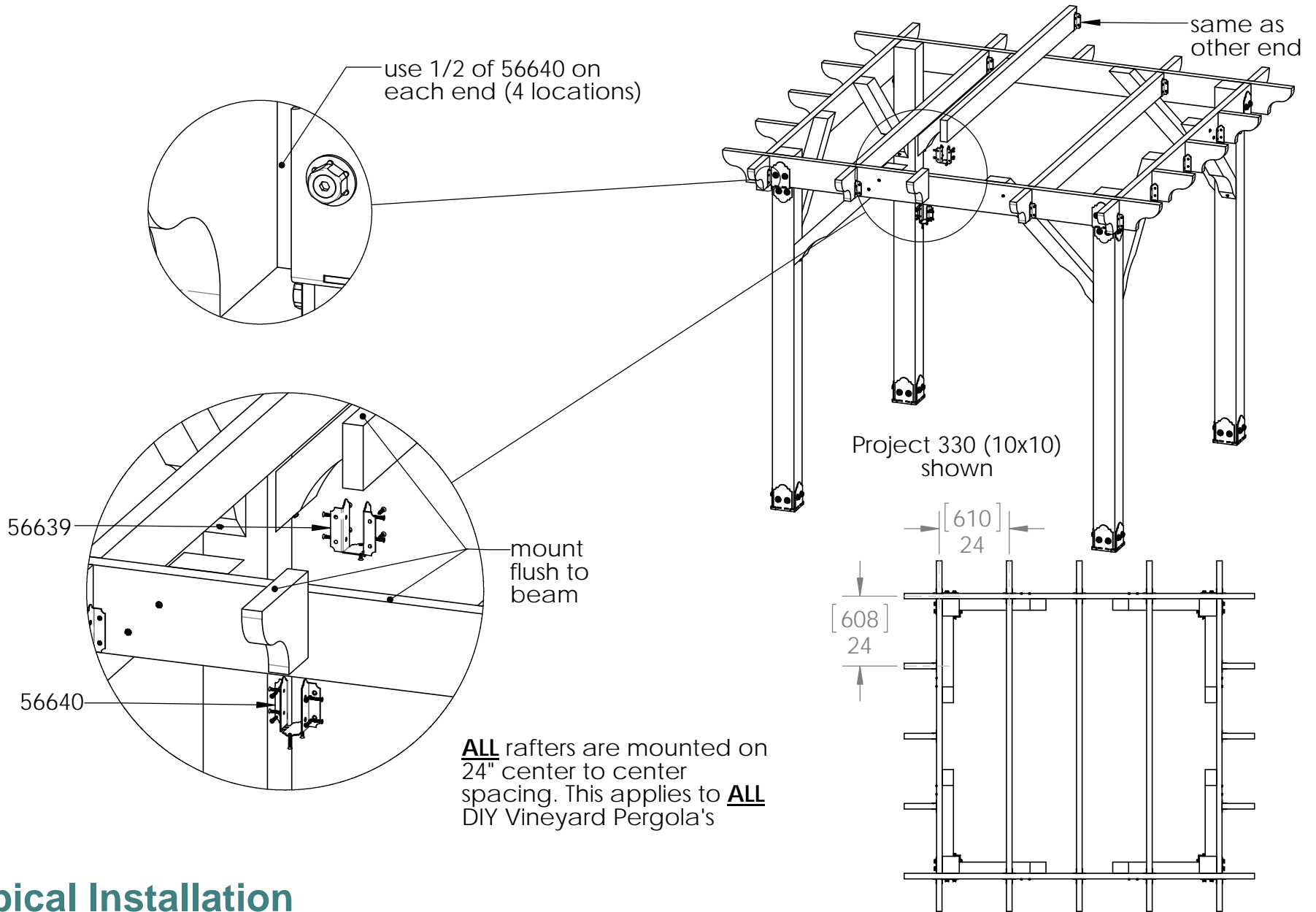


56639



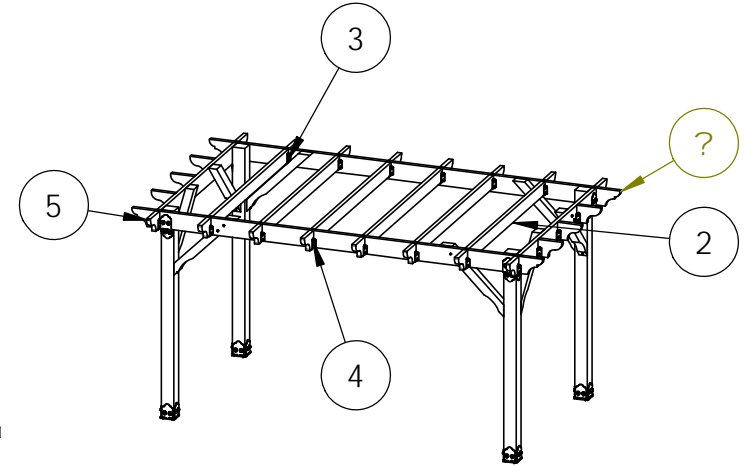
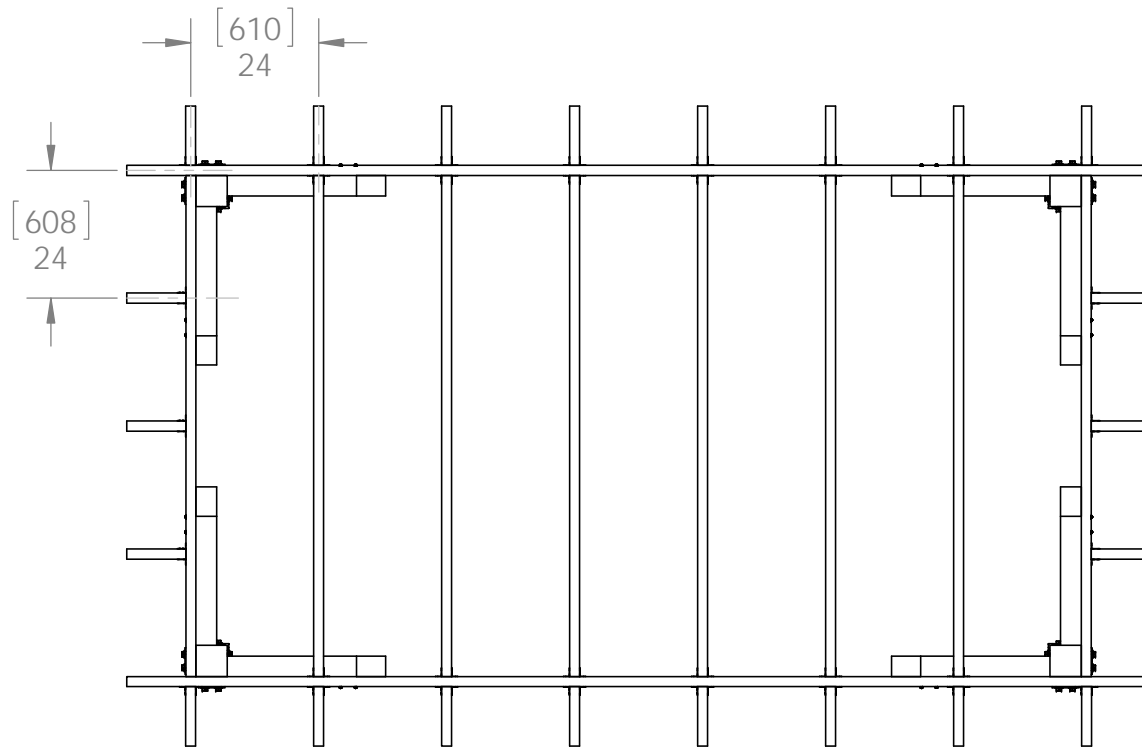
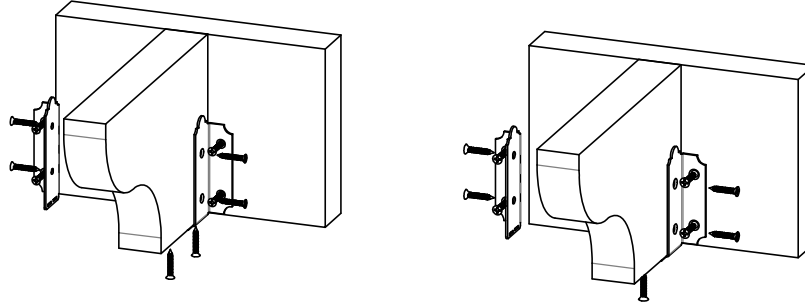
56640





Typical Installation

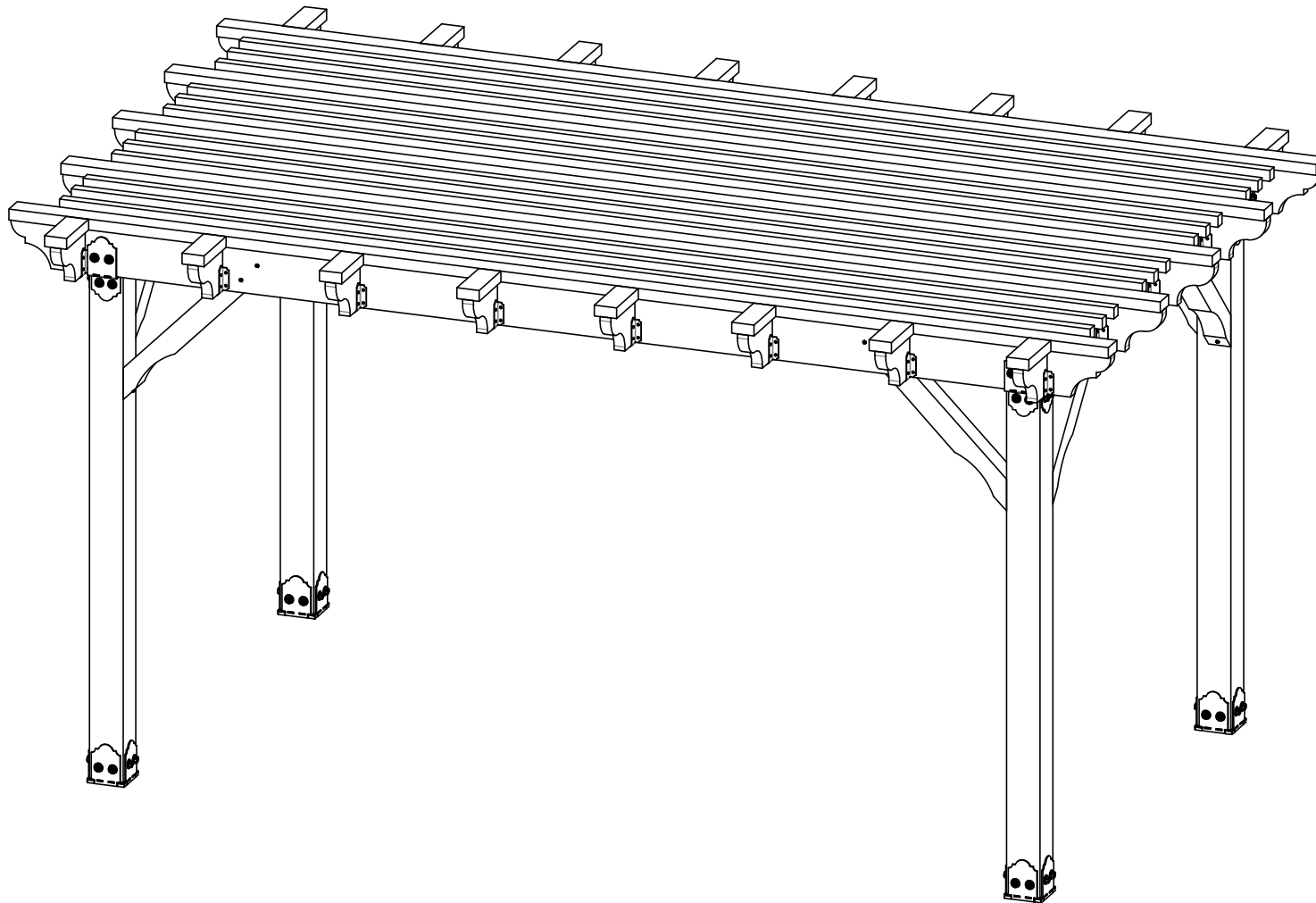
DIY Vineyard Pergola Rafters



ITEM NO.	Project 336 (10x16)/10 x16/QTY.	PART NUMBER	DESCRIPTION
1	1	DIY Vineyard Pergola Beam & Support	10x16
2	6	2x6 Cedar Board	2x6x94.00
3	2	56639	6-8" Joist Hanger Flush
4	4	56640	6-8" Joist Hanger Tab
5	22	2x8 Cedar Board	2x10x11.125

Project 336 (10x16)

DIY Vineyard Pergola Rafters

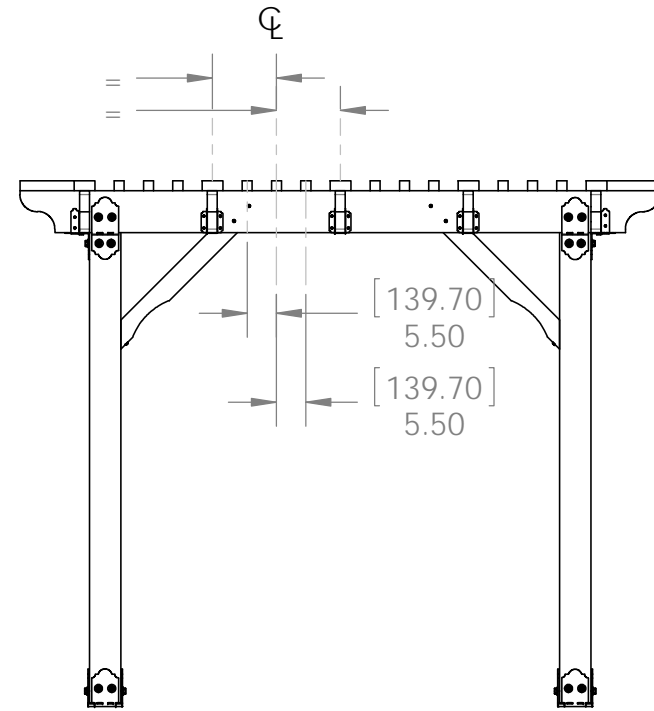
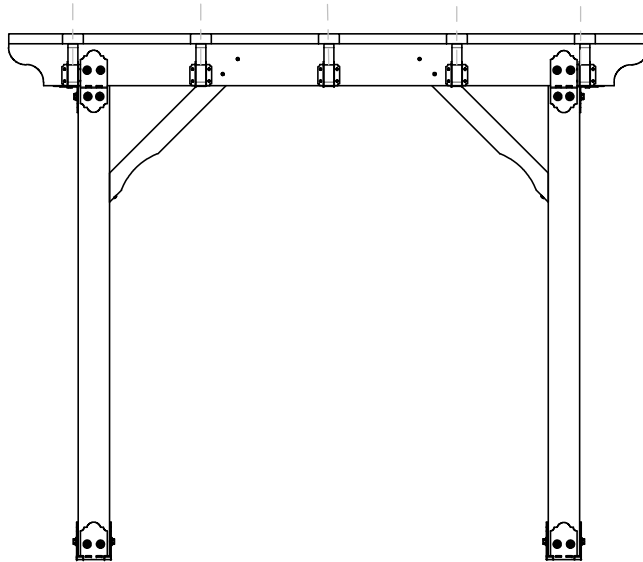


Project 336 (10x16)

DIY Vineyard Pergola Purlins

ALL 2x4 Purlins are centered on Rafters and secured with nails or screws

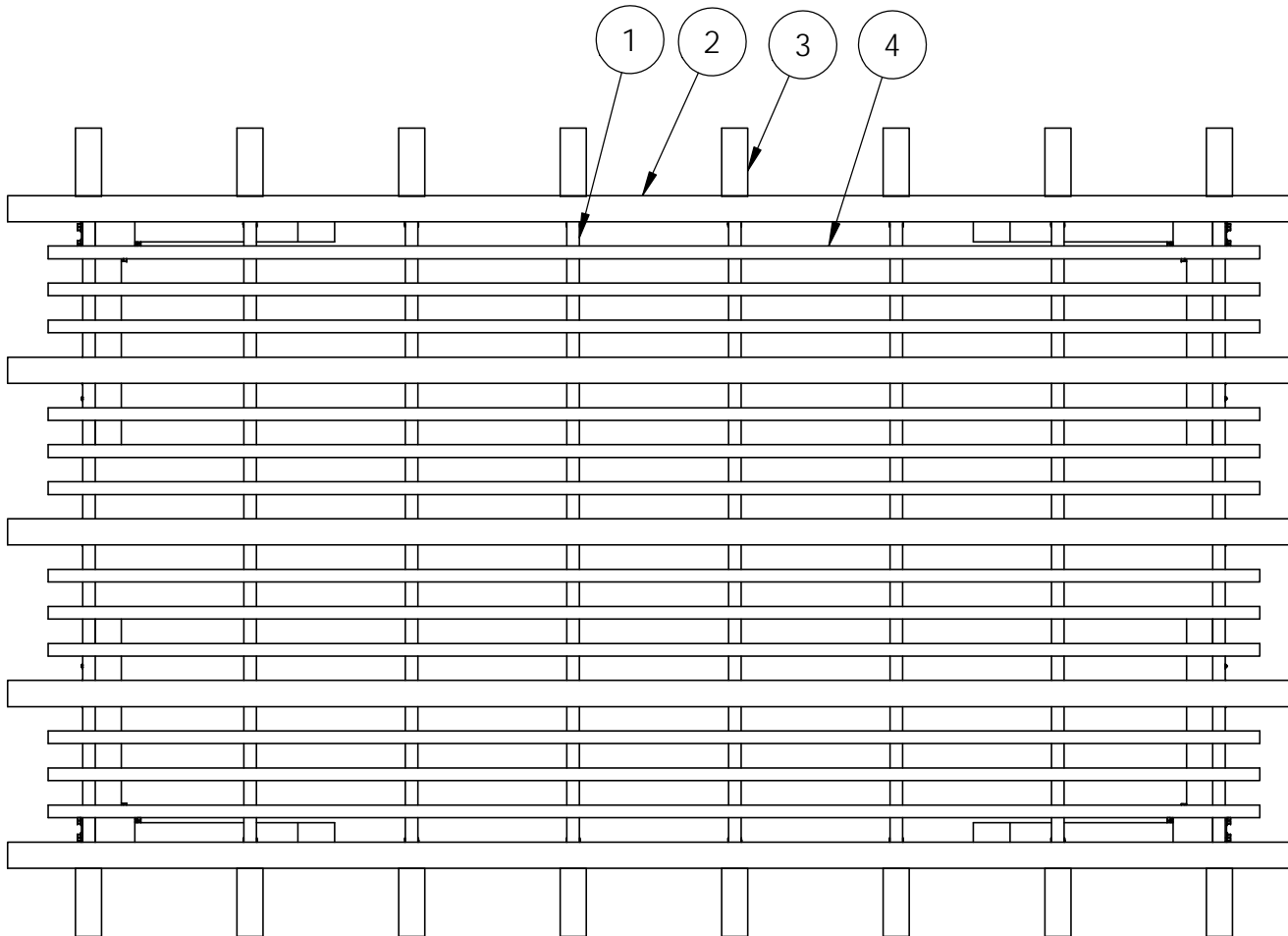
ALL 2x2 Purlins are spaced as shown between 2x4 Purlins and secured with nails or screws



Project 330 (10x10)
shown

Typical Installation

DIY Vineyard Pergola Purlins



ITEM NO.	Project 336 (10x16)/10 x16/QTY.	PART NUMBER	DESCRIPTION
1	1	DIY Vineyard Pergola Rafters	10x16
2	5	2x4 Cedar Board	2x4x192.00
3	16	2x4 Cedar Board	2x4x10.13
4	12	2x2 Cedar Board	2x2x180.00

see "Typical Installation" page for Purlin Spacing

Project 336 (10x16)

DIY Vineyard Pergola Purlins