

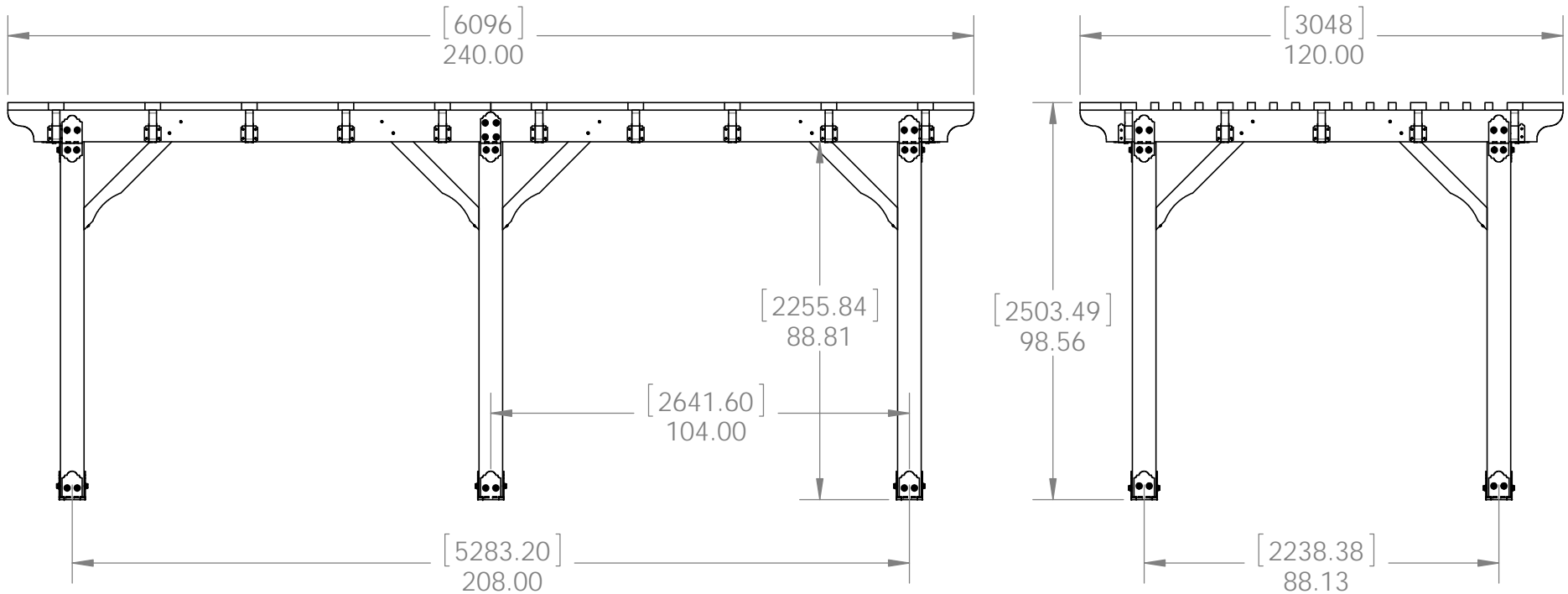
DESIGN

PURCHASE

CONSTRUCT

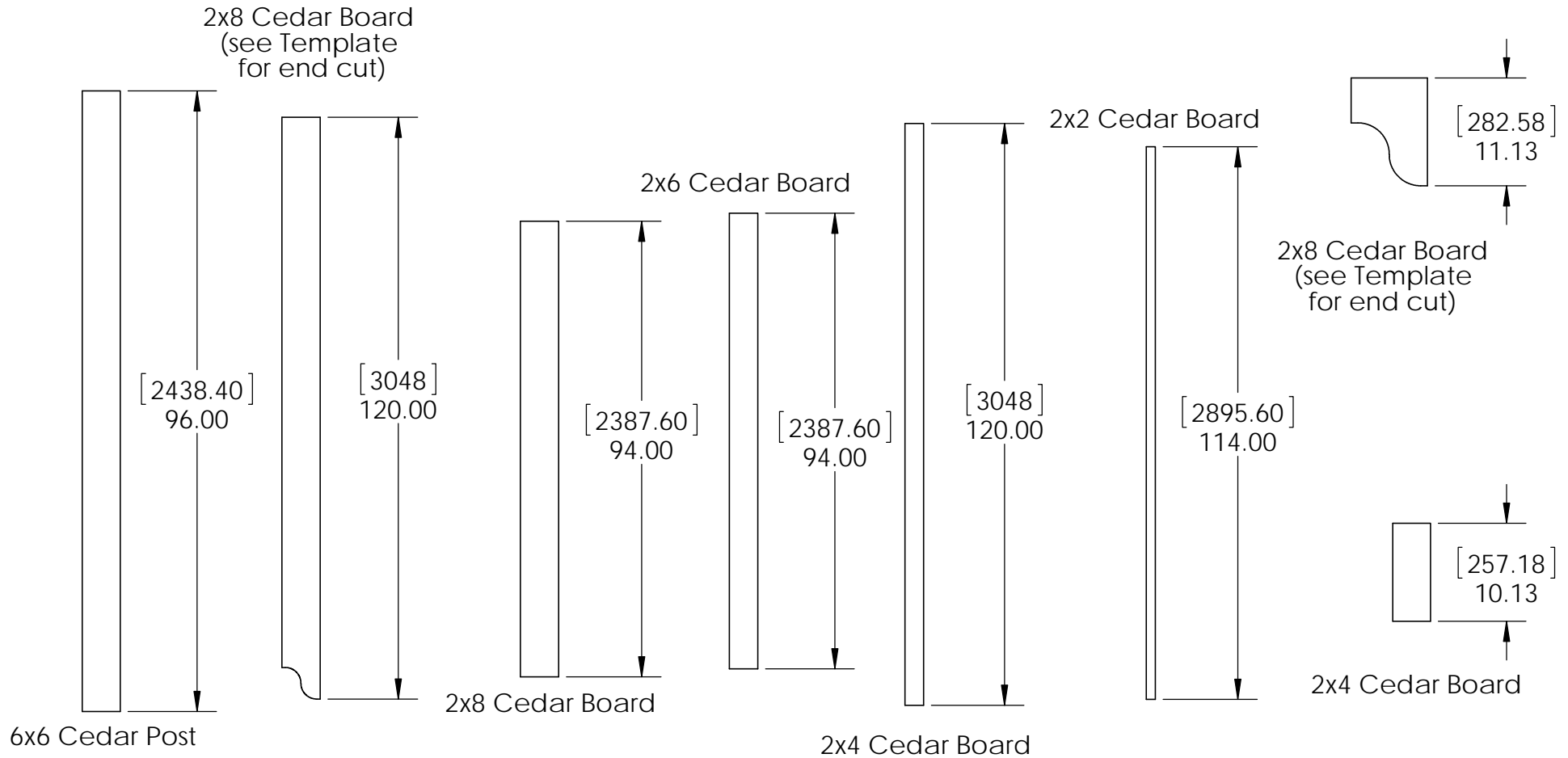
ENJOY

## Project 340 DIY Vineyard Pergola Overview (10x20)



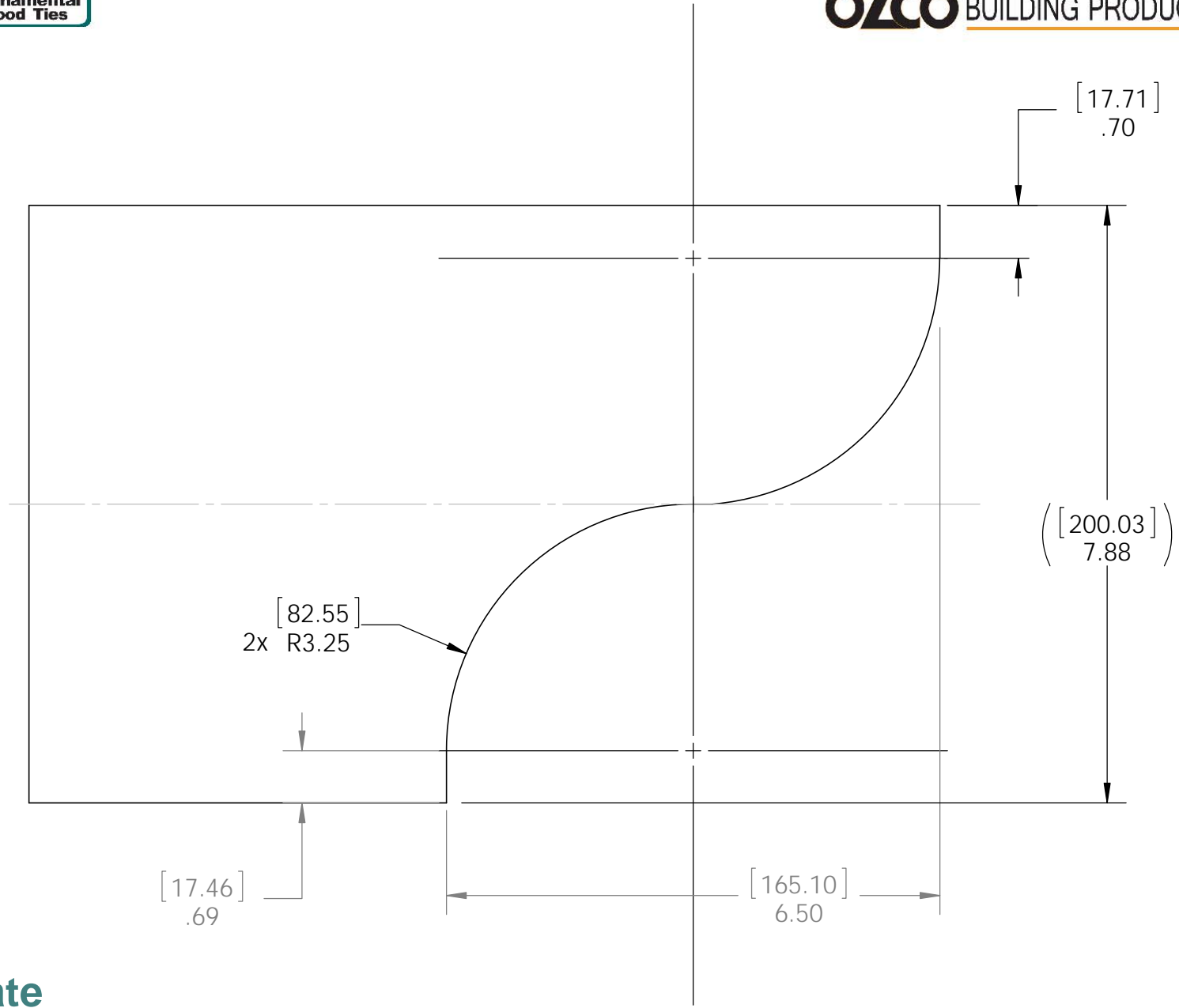
OZCO BUILDING PRODUCTS





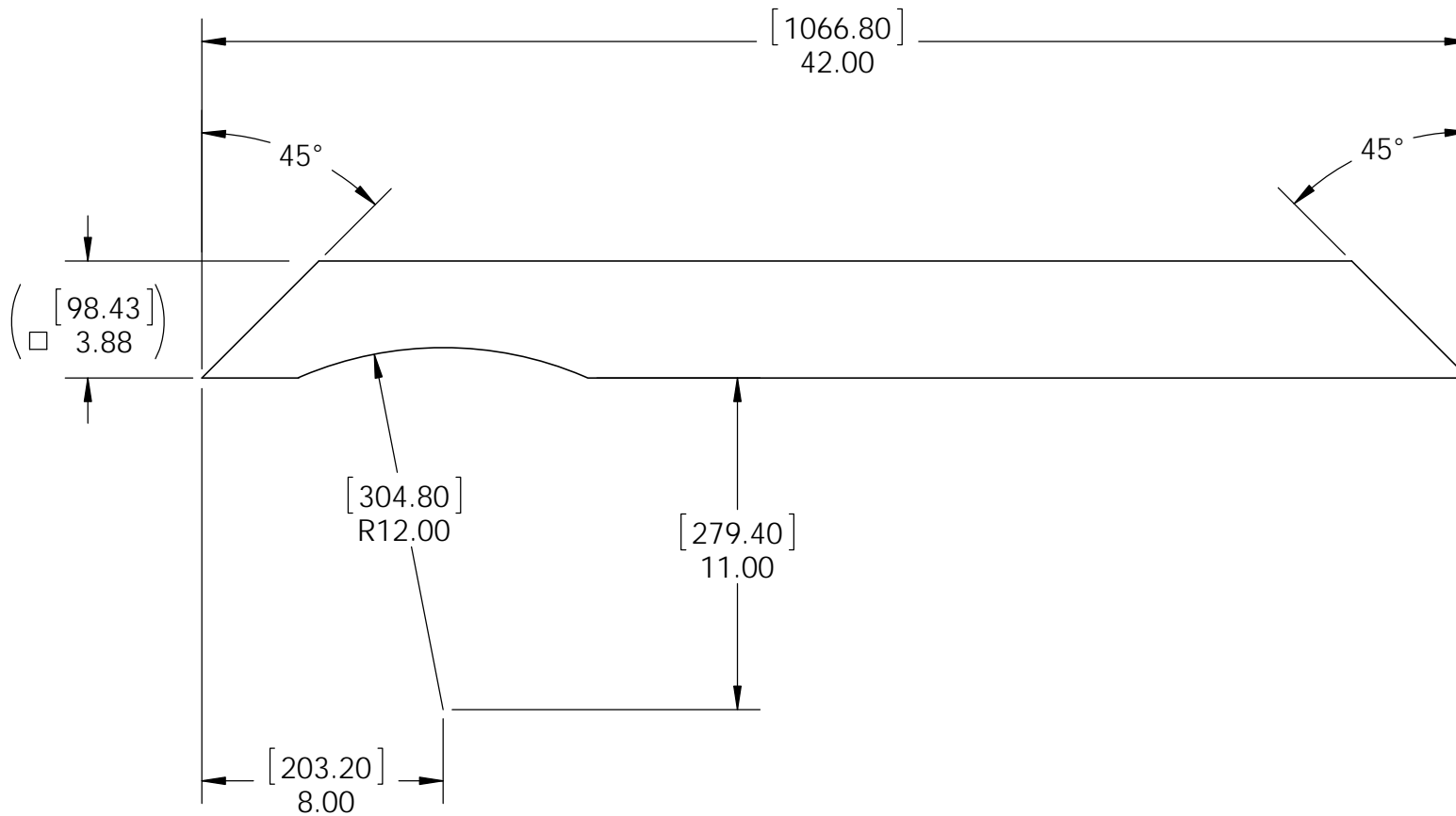
Support defined on separate sheet

## Project 340 & 340S DIY Vineyard Pergola (10x20) Cutlist



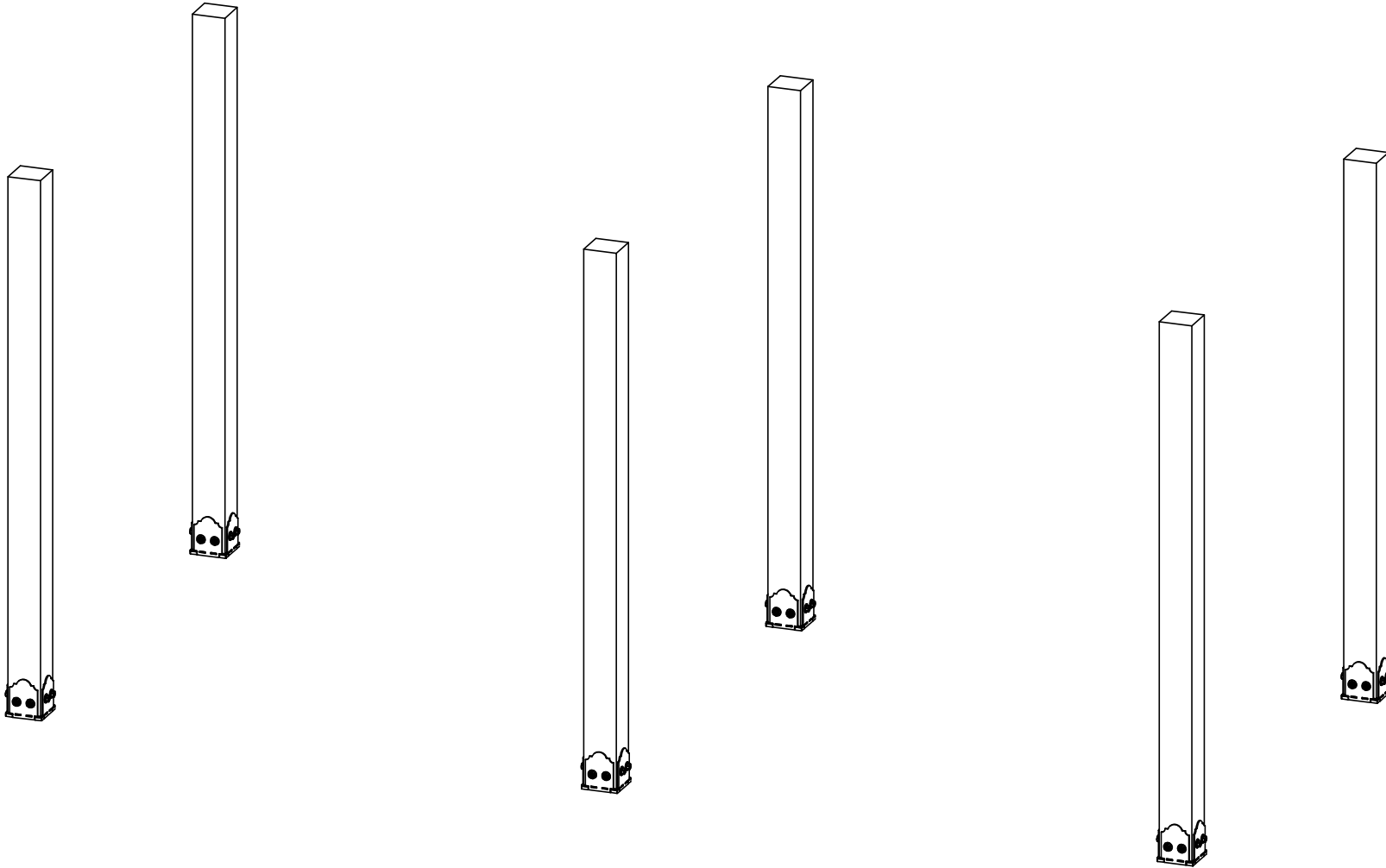
**Template**  
(scale: 1/2)

DIY Vineyard Pergola Beam & Support



## Support

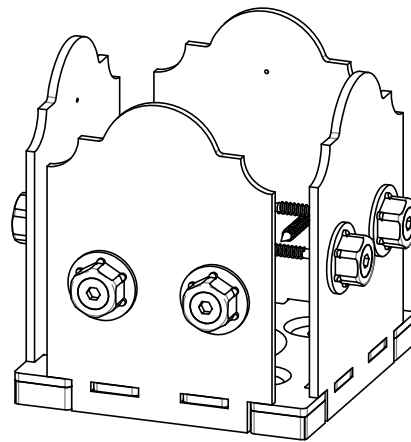
### DIY Vineyard Pergola Beam & Support



## Project 340 (10x20) (& Project 340S)

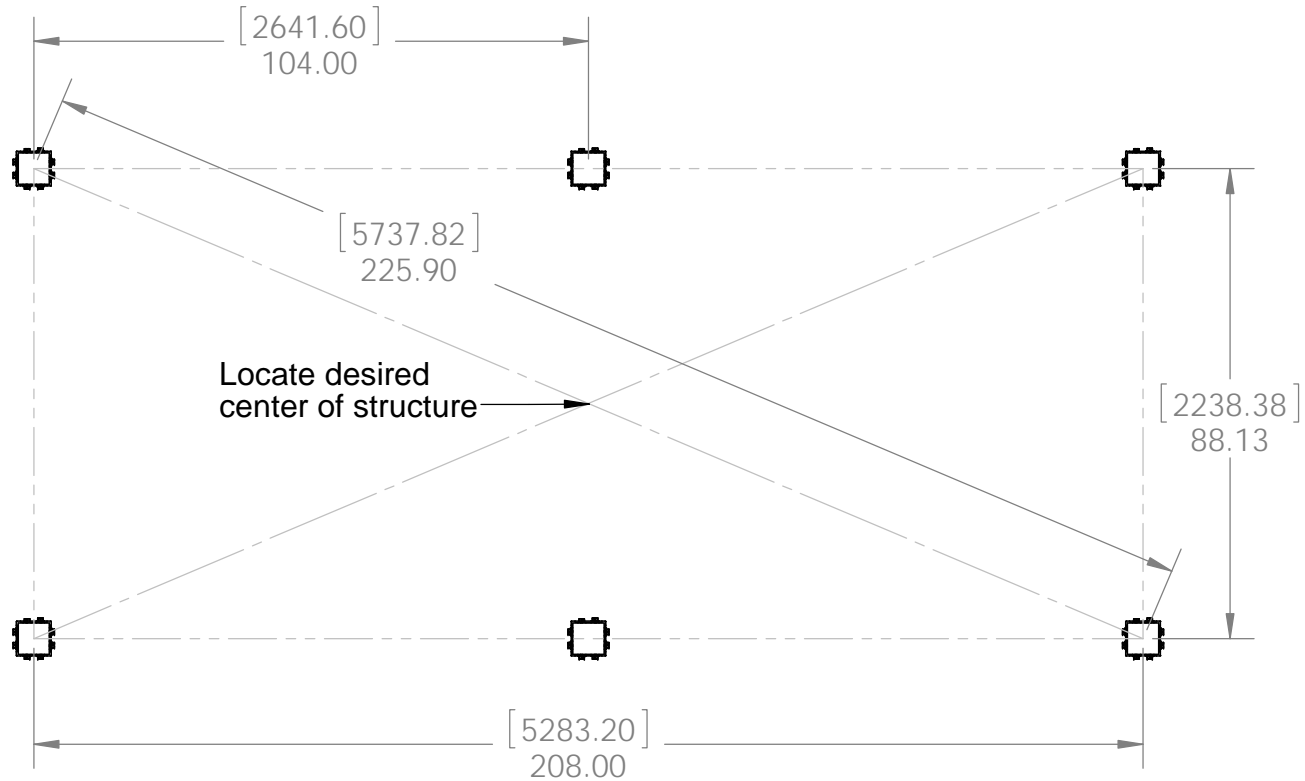
DIY Vineyard Pergola Base

V1.00 - Installation Instructions effective May 1, 2015 and reflects information that available as of April 10, 2014. This information is updated periodically and should not be relied upon after May 1, 2015. Please visit [www.OZCOBP.com](http://www.OZCOBP.com) to get current information



56608



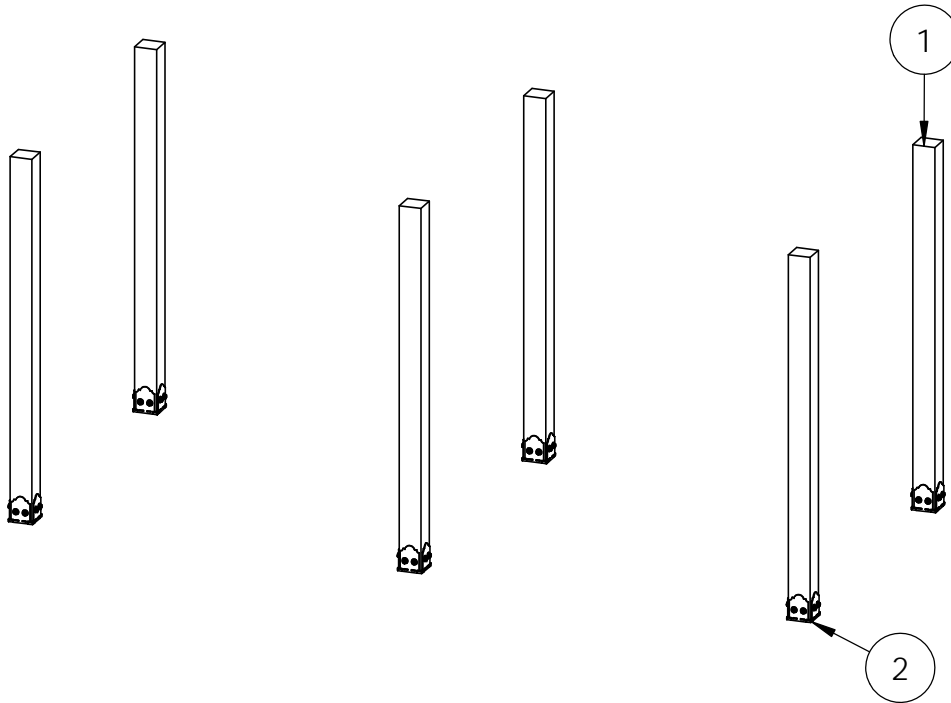


if site is not level,  
see Ozco Site Leveling instruction

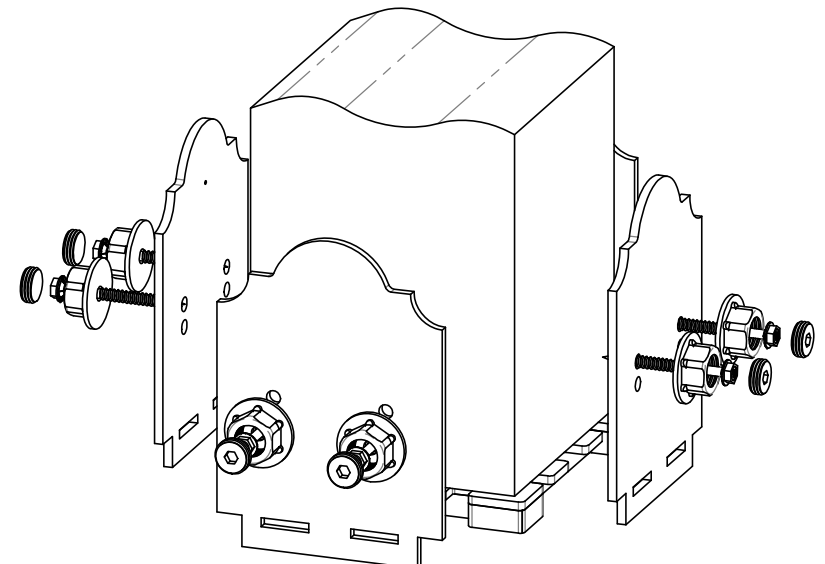
## Project 340 (10x20) (& Project 340S)

DIY Vineyard Pergola Base





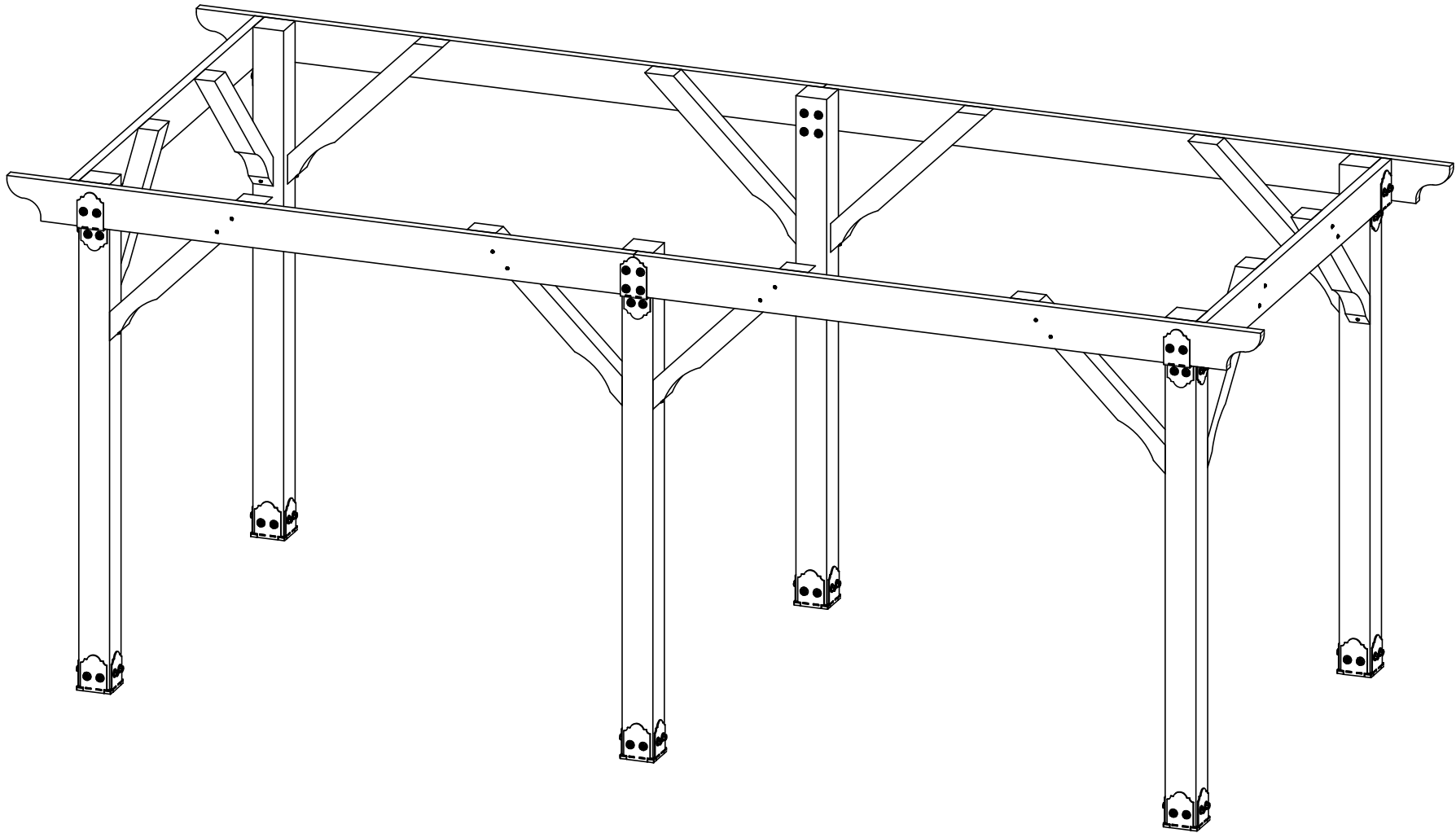
ITEM NO.	Project 340 (10x20)/10 x20/QTY.	PART NUMBER	DESCRIPTION
1	6	6x6 Cedar Post	6x6x96.00
2	6	56608	56608



## Project 340 (10x20) (& Project 340S)

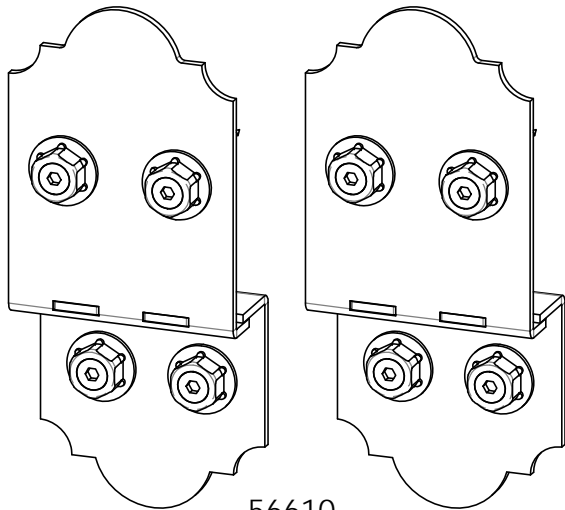
DIY Vineyard Pergola Base

V1.00 - Installation Instructions effective May 1, 2015 and reflects information that available as of April 10, 2014. This information is updated periodically and should not be relied upon after May 1, 2015. Please visit [www.OZCOBP.com](http://www.OZCOBP.com) to get current information

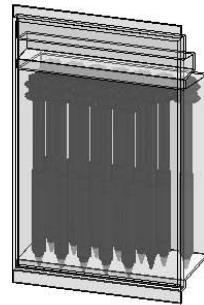


## Project 340 (10x20)

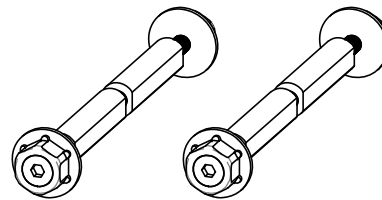
DIY Vineyard Pergola Beam & Support



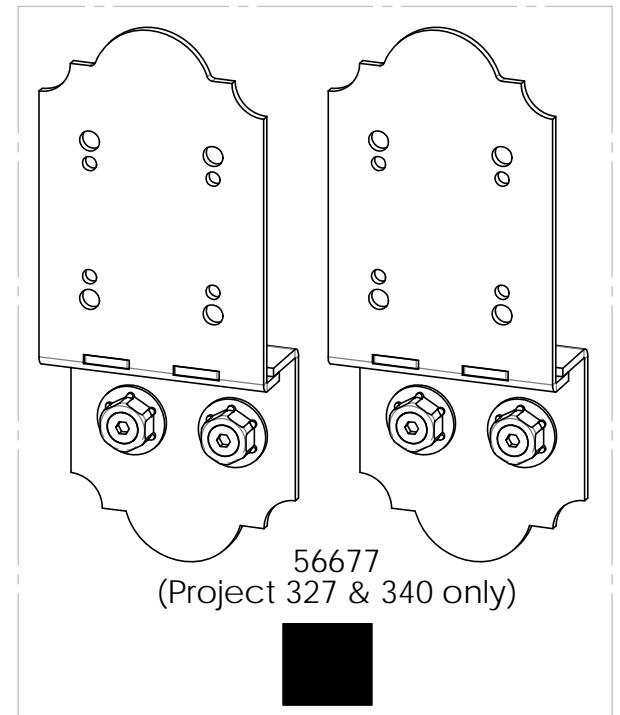
56610



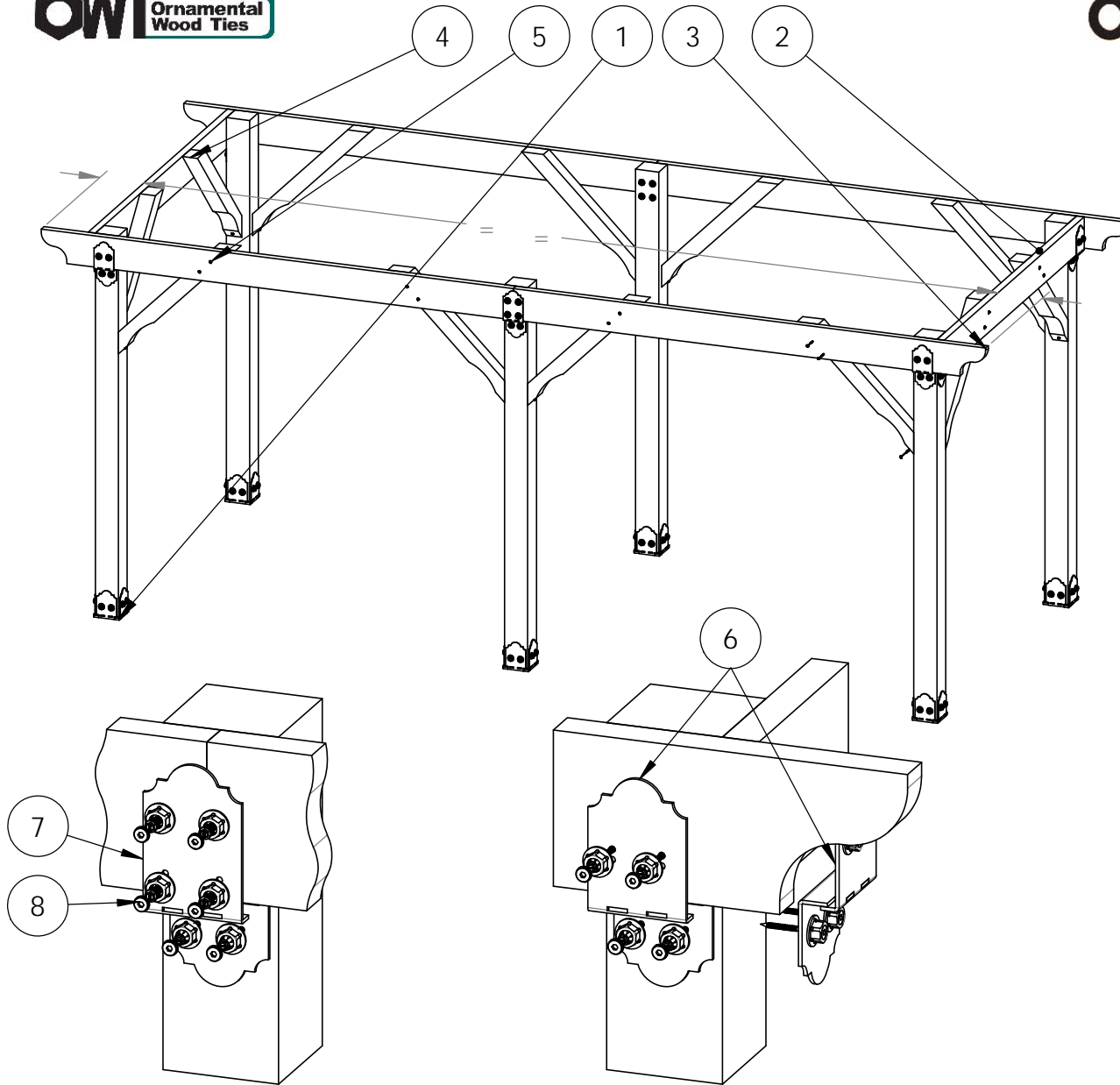
56627  
Box of 25



56650



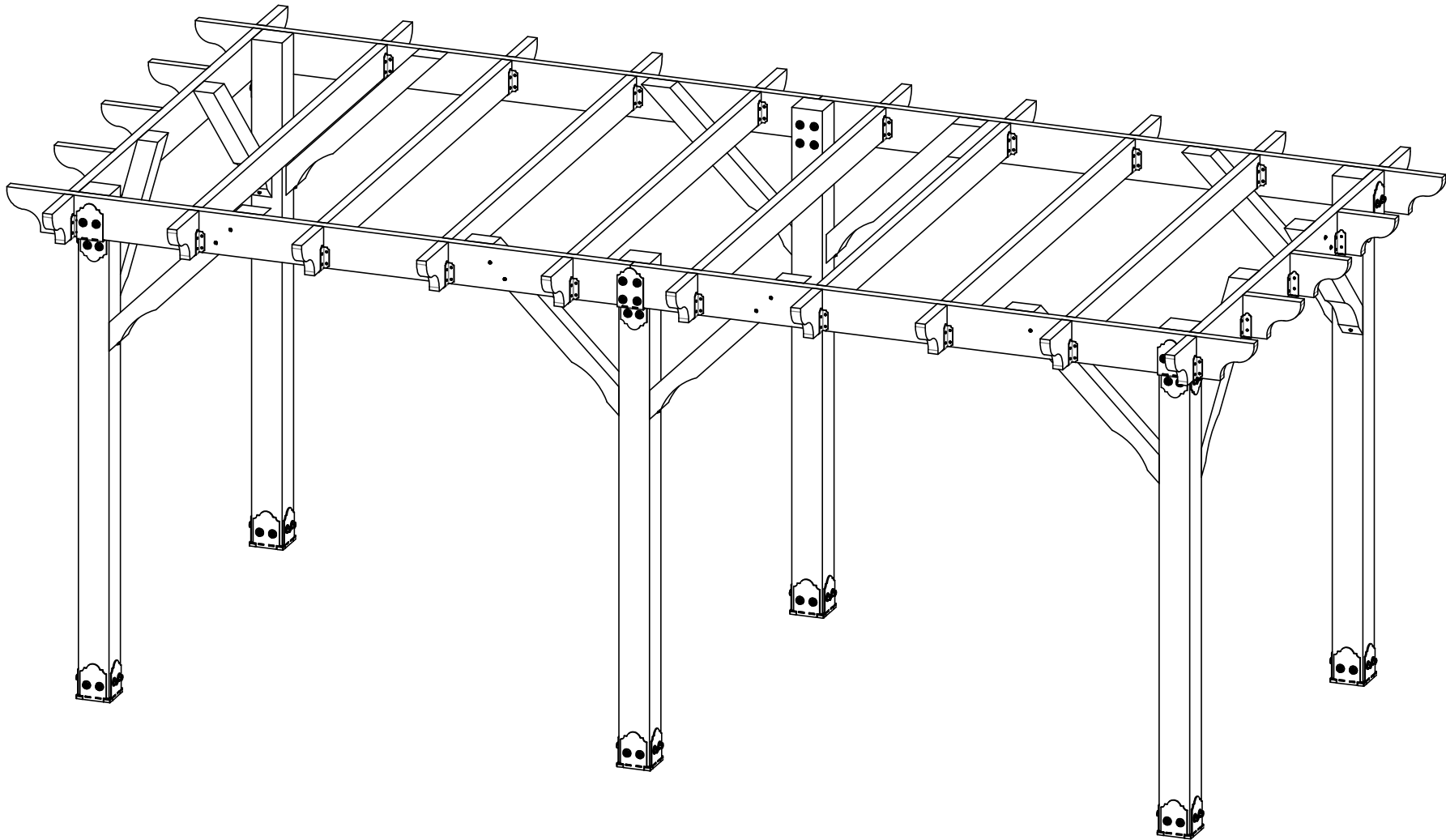
56677  
(Project 327 & 340 only)



ITEM NO.	Project 340 (10x20)/QTY.	PART NUMBER	DESCRIPTION
1	1	DIY Vineyard Pergola Base	10x20
2	2	2x8 Cedar Board	2x8x94
3	4	2x8 Cedar Board	2x8x120
4	12	4x4 Cedar Post	4x4x42
5	2	56627	OWT Timber Screw 3-3/4"
6	4	56610	8" Post to Beam
7	1	56677	8" Post to Beam Coupler
8	4	56650	OWT Timber Bolt, 6-8"

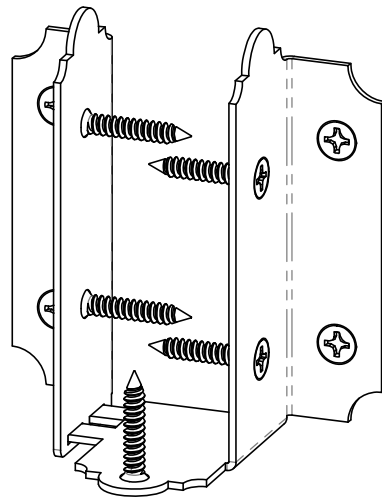
## Project 340 (10x20)

### DIY Vineyard Pergola Beam & Support

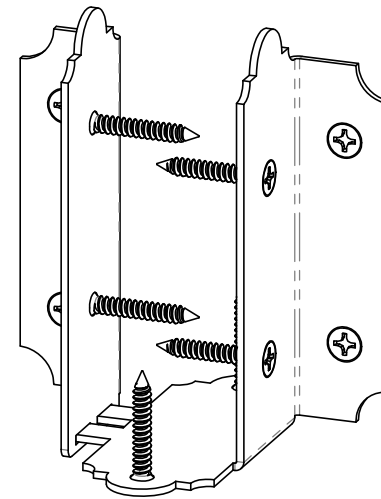


## Project 340 (10x20)

DIY Vineyard Pergola Rafters

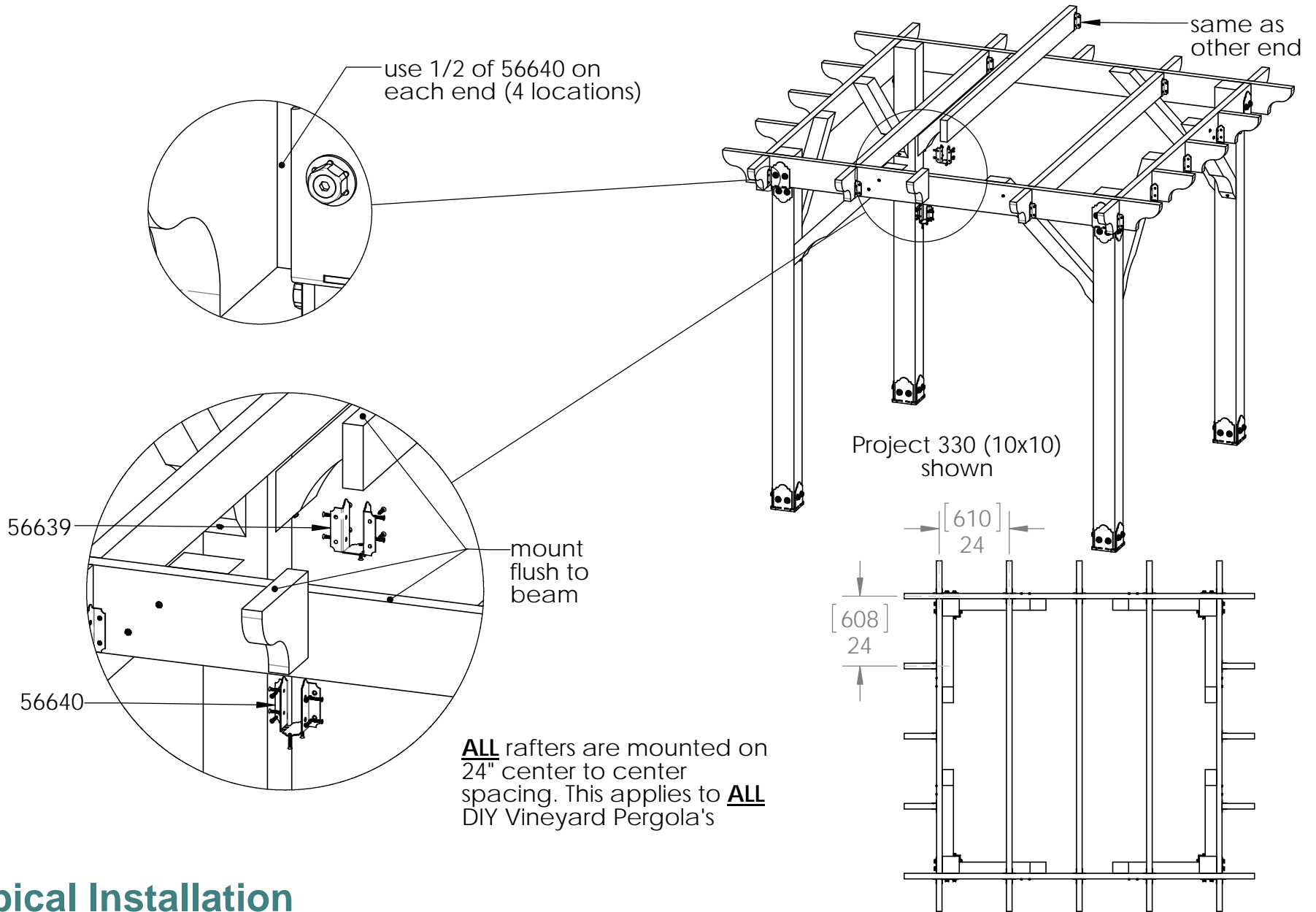


56639



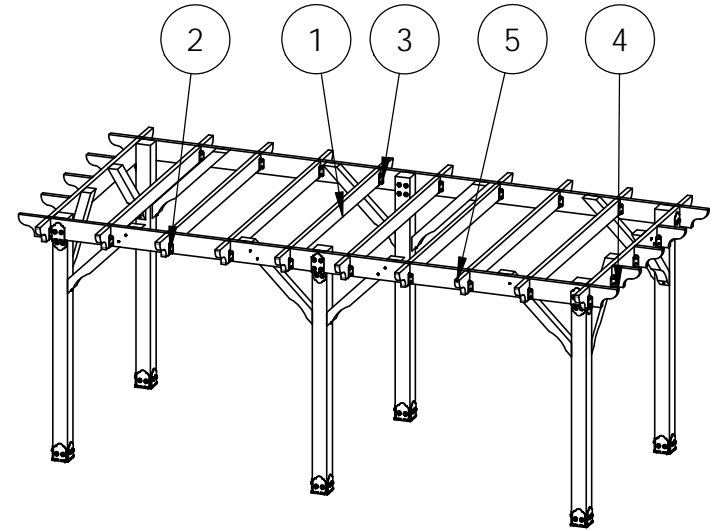
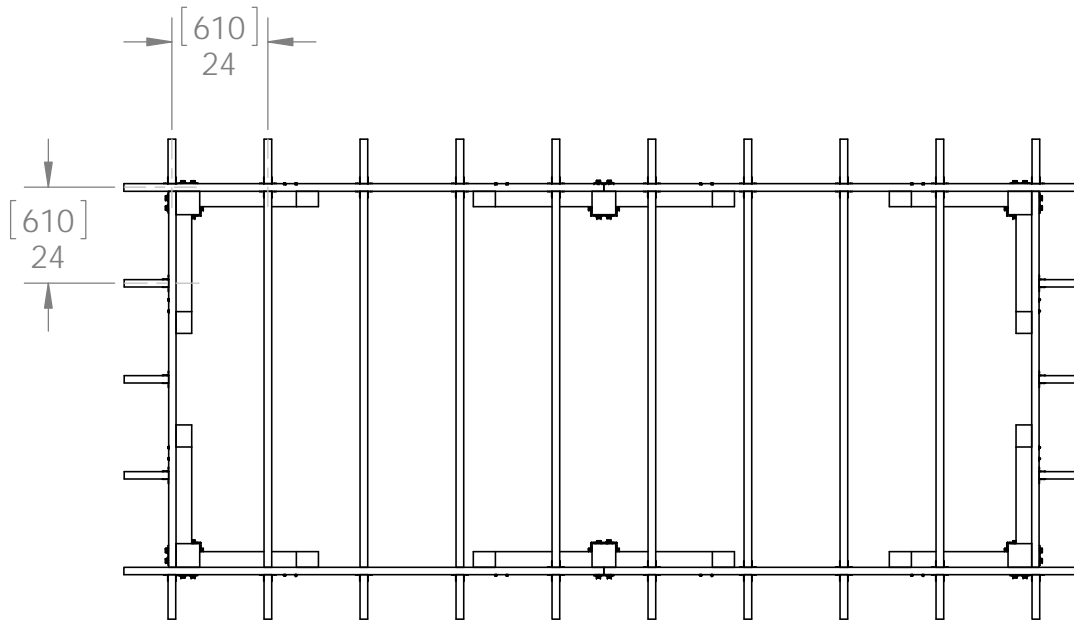
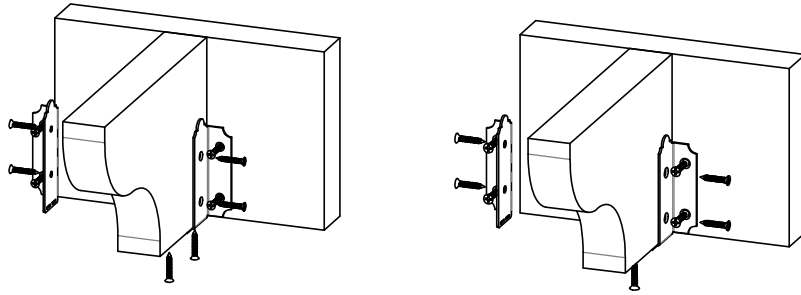
56640





## Typical Installation

### DIY Vineyard Pergola Rafters

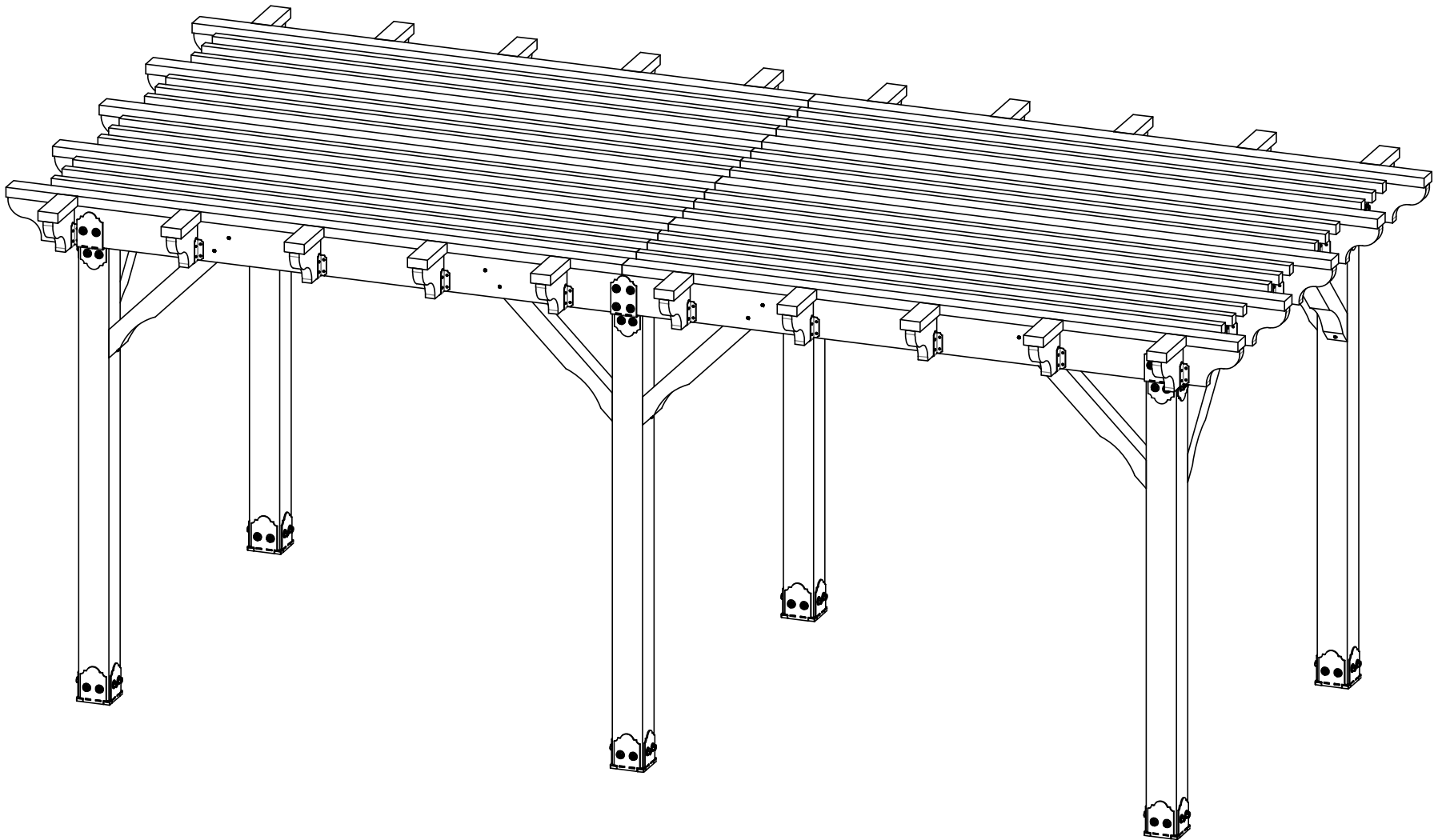


ITEM NO.	Project 340 (10x20)/10 x20/QTY.	PART NUMBER	DESCRIPTION
1	8	2x6 Cedar Board	2x6x94.00
2	4	56640	6-8" Joist Hanger Tab
3	3	56639	6-8" Joist Hanger Flush
4	1	DIY Vineyard Pergola Beam & Support	10x20
5	26	2x8 Cedar Board	2x10x11.125

## Project 340 (10x20)

### DIY Vineyard Pergola Rafters

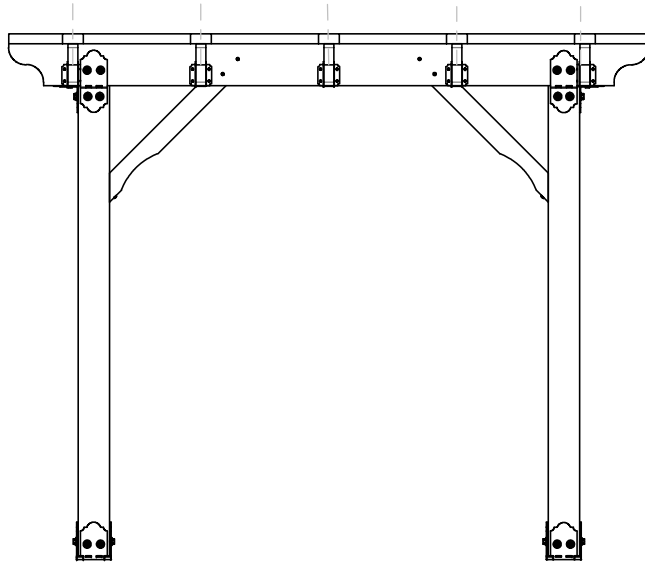




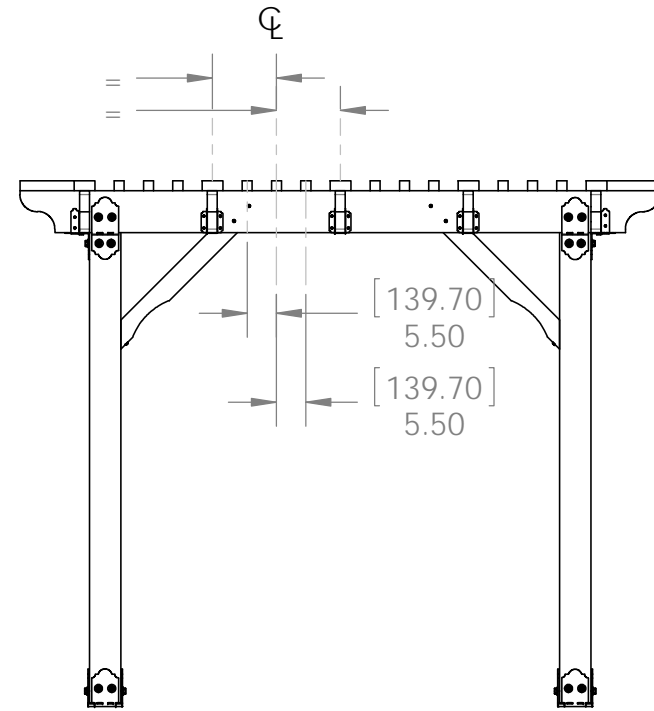
## Project 340 (10x20)

DIY Vineyard Pergola Purlins

ALL 2x4 Purlins are centered on Rafters and secured with nails or screws



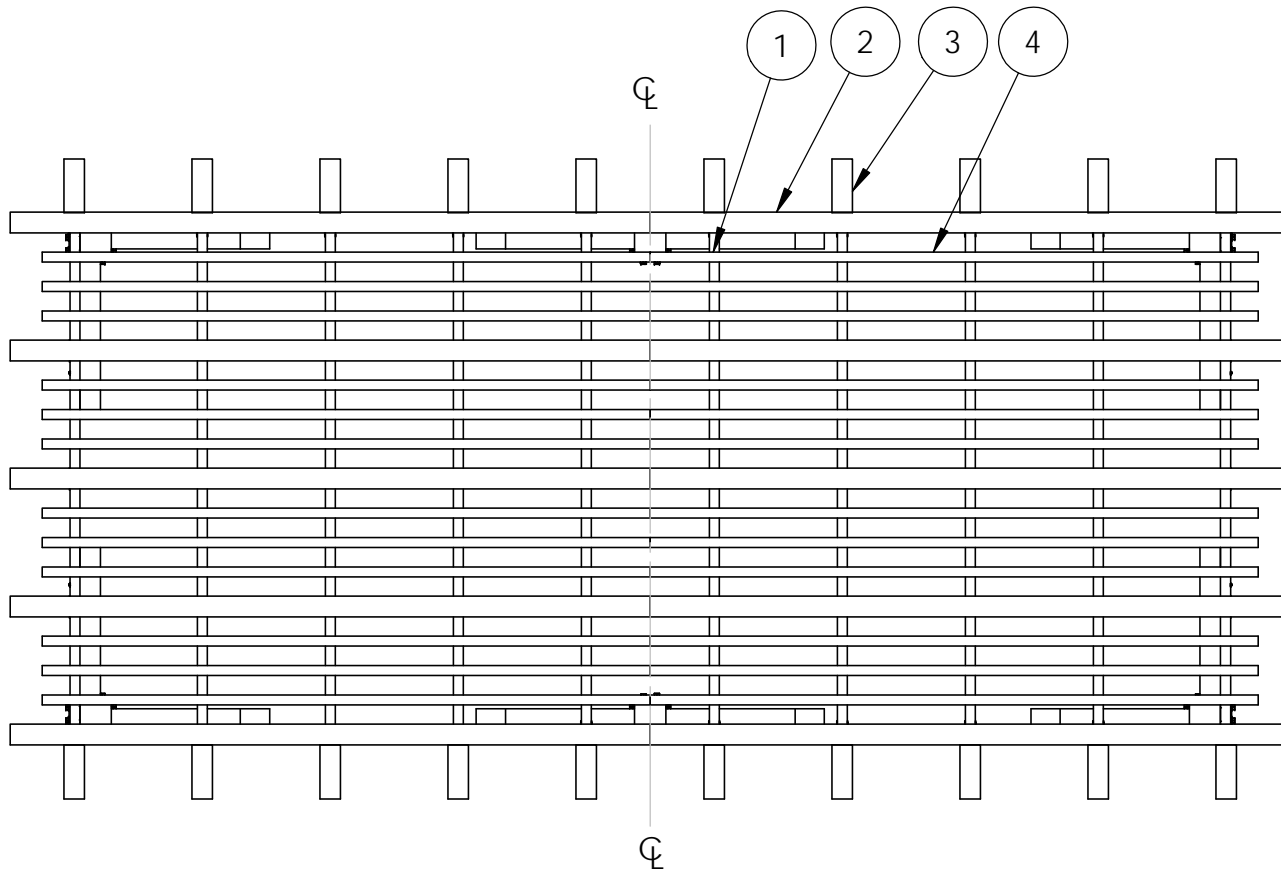
ALL 2x2 Purlins are spaced as shown between 2x4 Purlins and secured with nails or screws



Project 330 (10x10) shown

## Typical Installation

DIY Vineyard Pergola Purlins



ITEM NO.	Project 340 (10x20)/10 x20/QTY.	PART NUMBER	DESCRIPTION
1	1	DIY Vineyard Pergola Rafters	10x20
2	10	2x4 Cedar Board	2x4x120.00
3	20	2x4 Cedar Board	2x4x10.13
4	24	2x2 Cedar Board	2x2x114.00

see "Typical Installation" page for Purlin Spacing

## Project 340 (10x20)

DIY Vineyard Pergola Purlins