

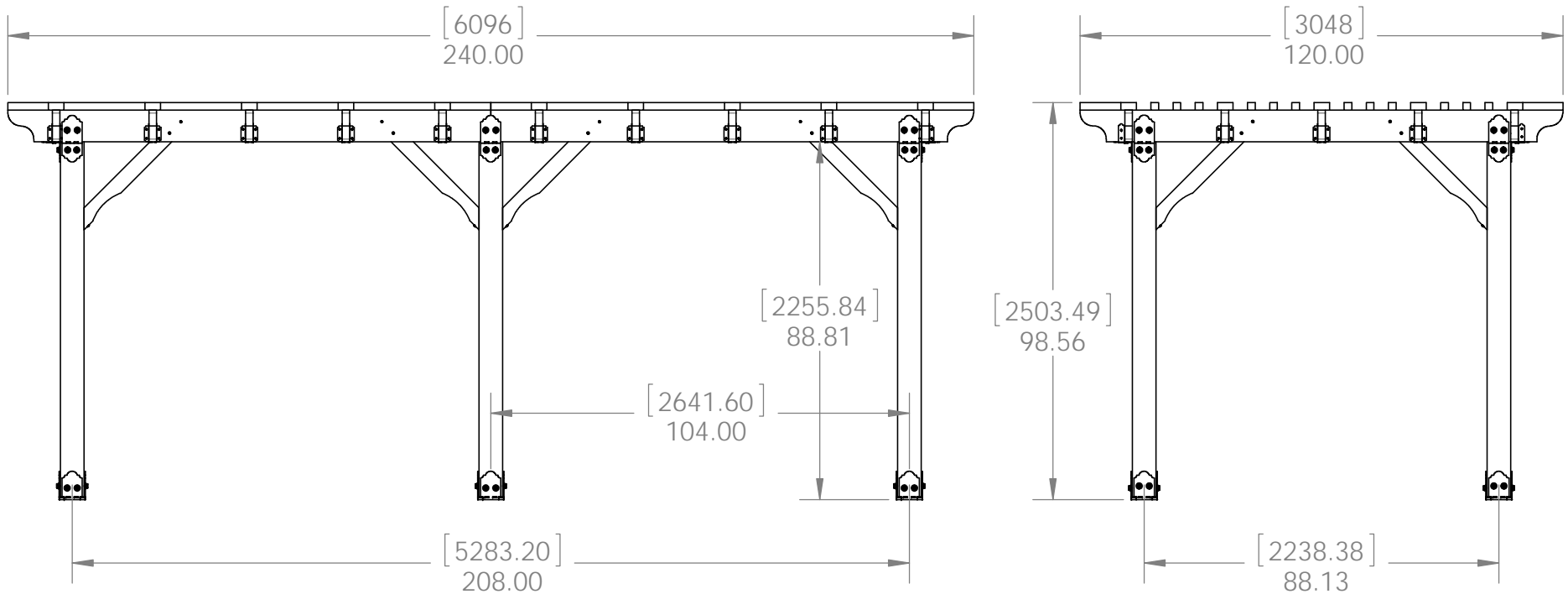
DESIGN

PURCHASE

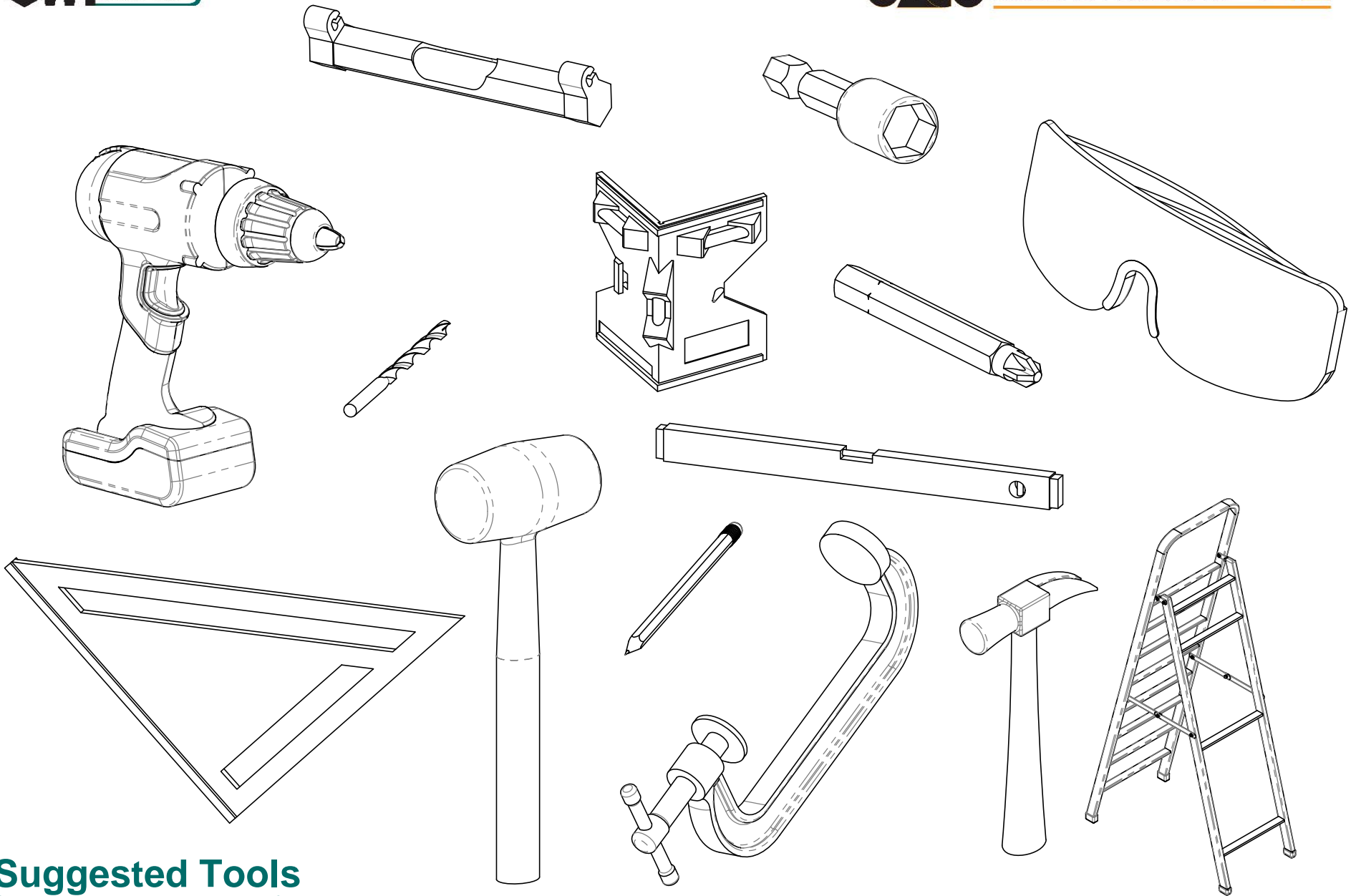
CONSTRUCT

ENJOY

Project 340S DIY Vineyard Pergola Overview (10x20)

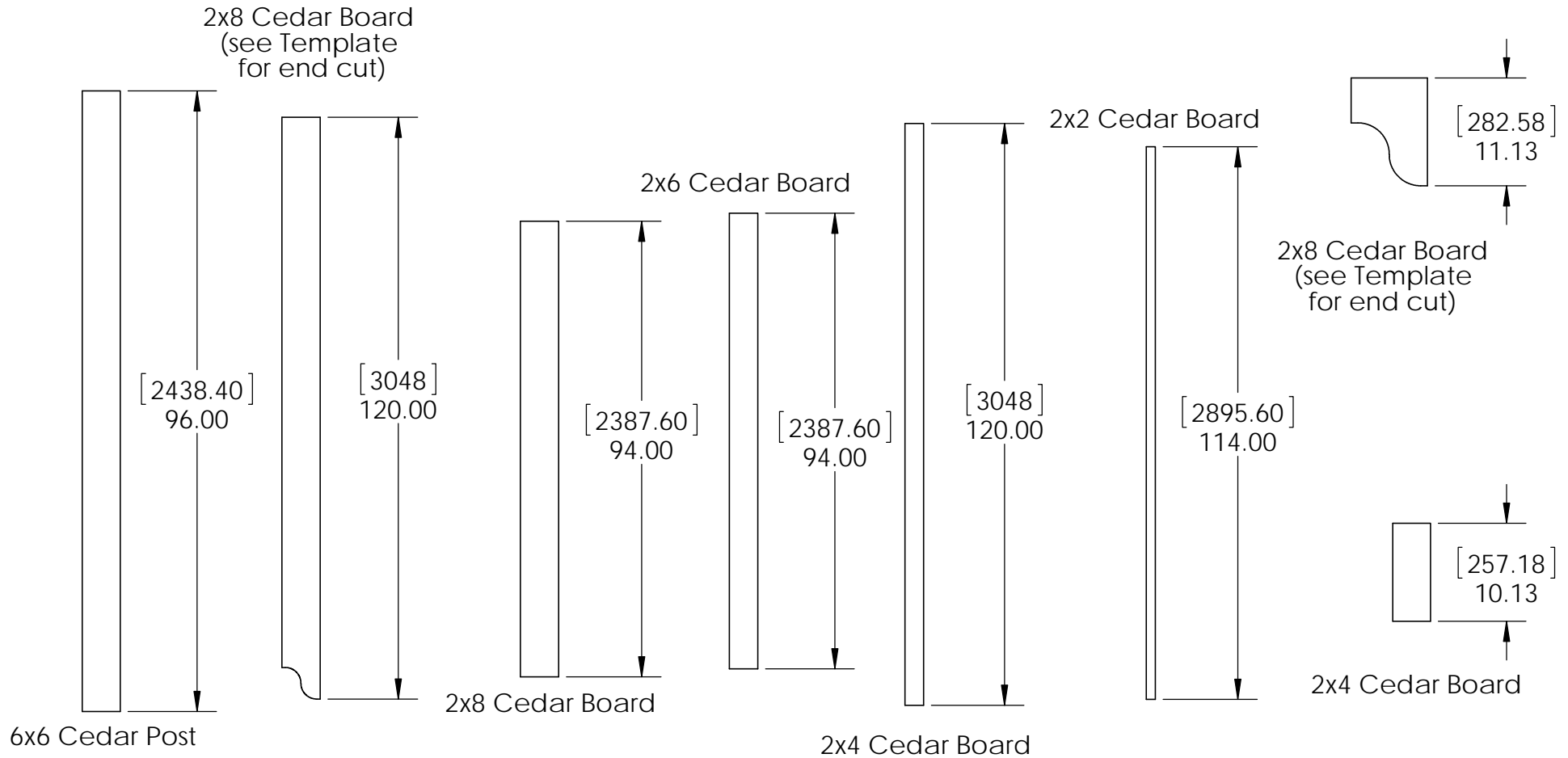


OZCO BUILDING PRODUCTS



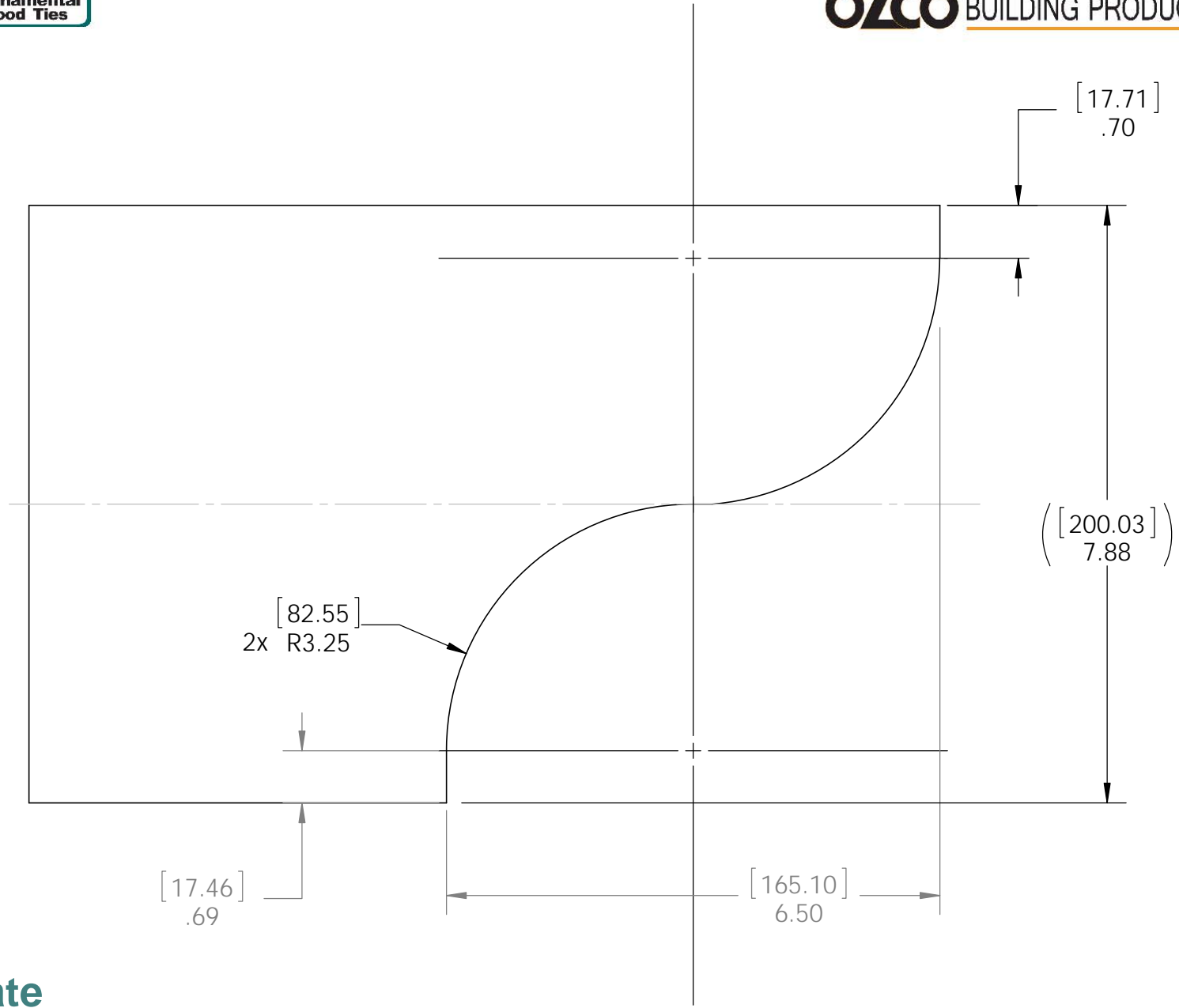
Suggested Tools
(others may be required)

DIY Vineyard Pergola Base



Support defined on separate sheet

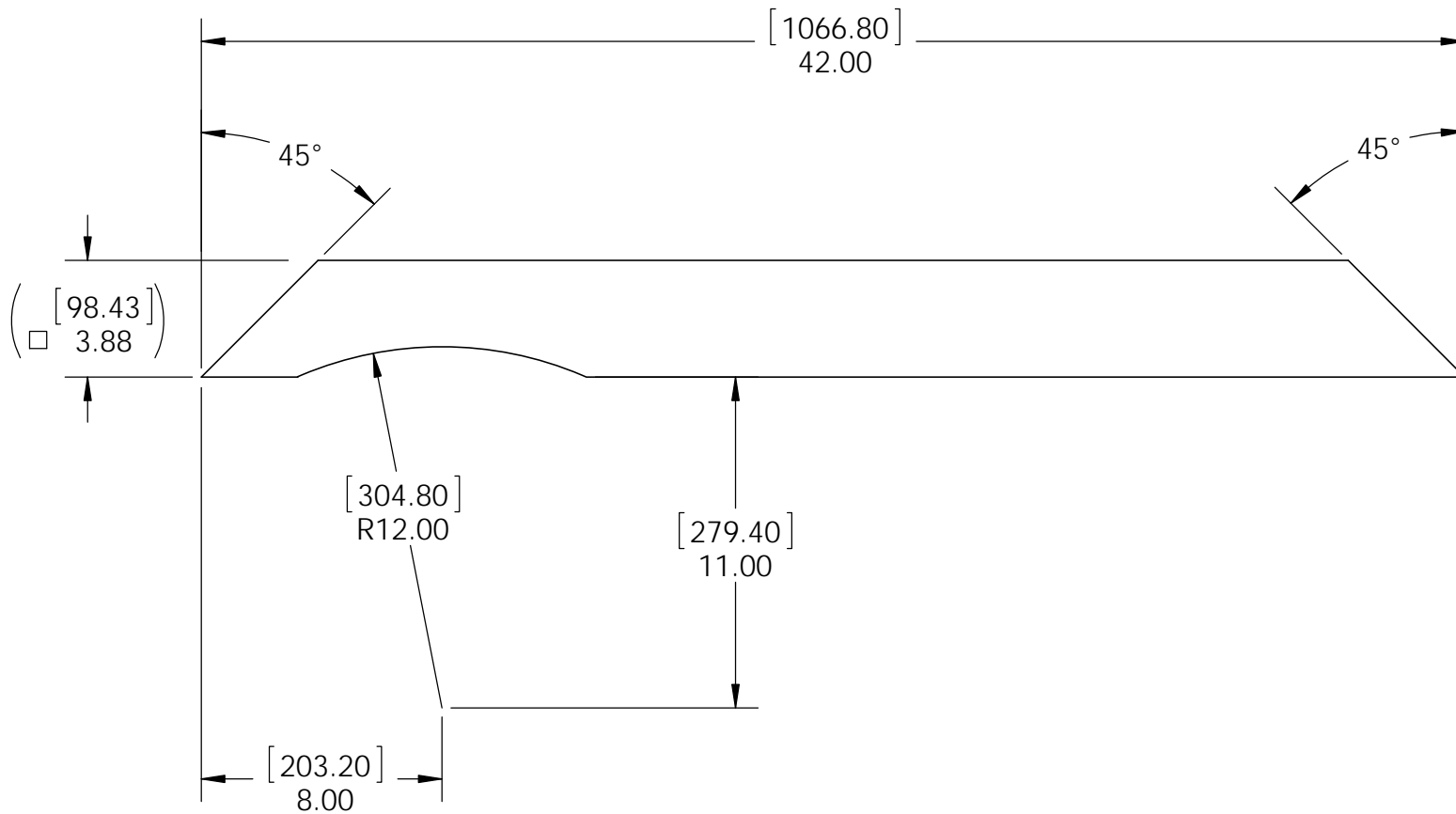
Project 340 & 340S DIY Vineyard Pergola (10x20) Cutlist



Template
(scale: 1/2)

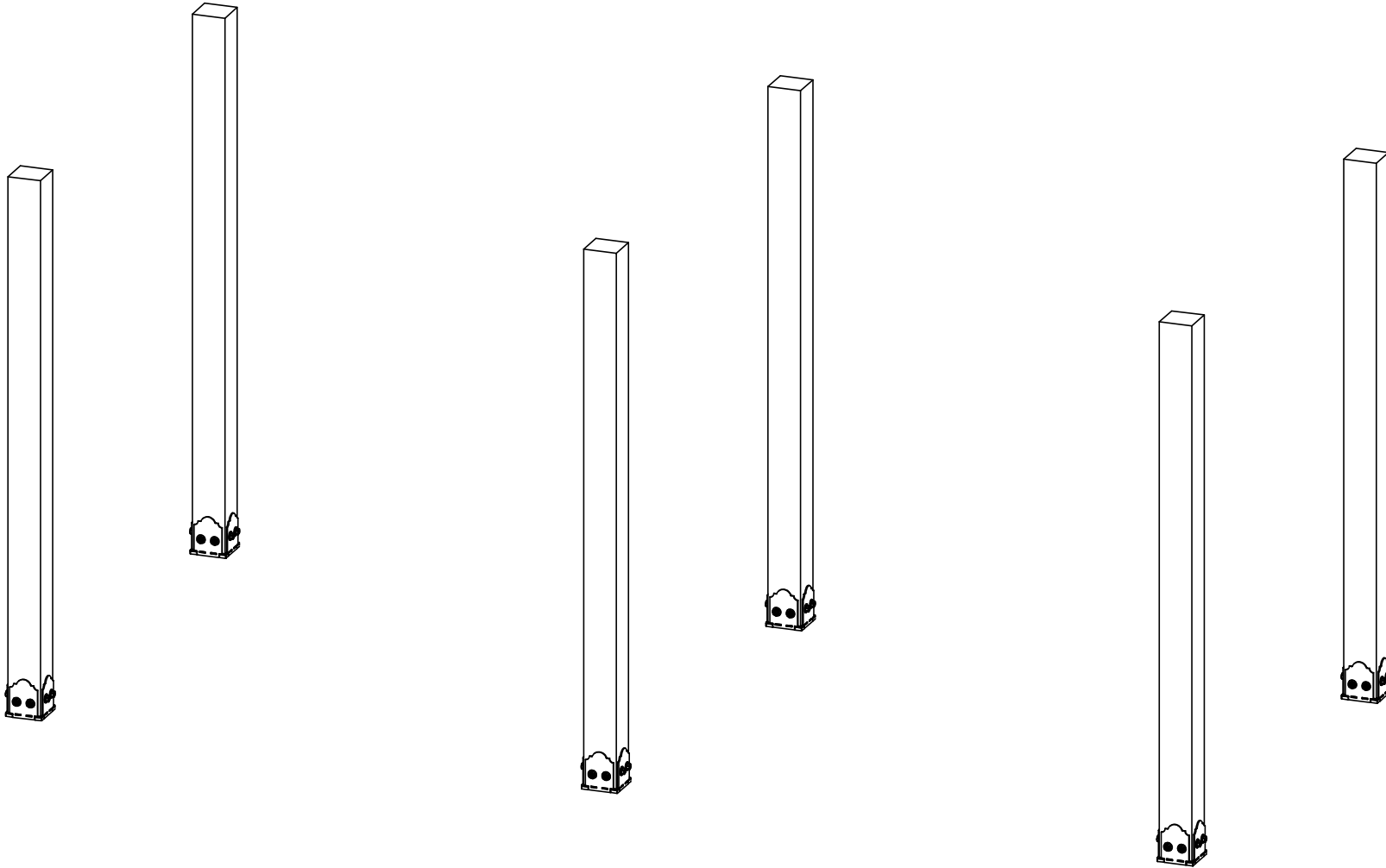
DIY Vineyard Pergola Beam & Support

V1.00 - Installation Instructions effective May 1, 2015 and reflects information that available as of April 10, 2014. This information is updated periodically and should not be relied upon after May 1, 2015. Please visit www.OZCOBP.com to get current information



Support

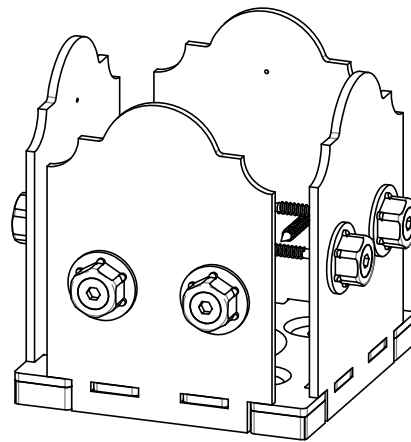
DIY Vineyard Pergola Beam & Support



Project 340 (10x20) (& Project 340S)

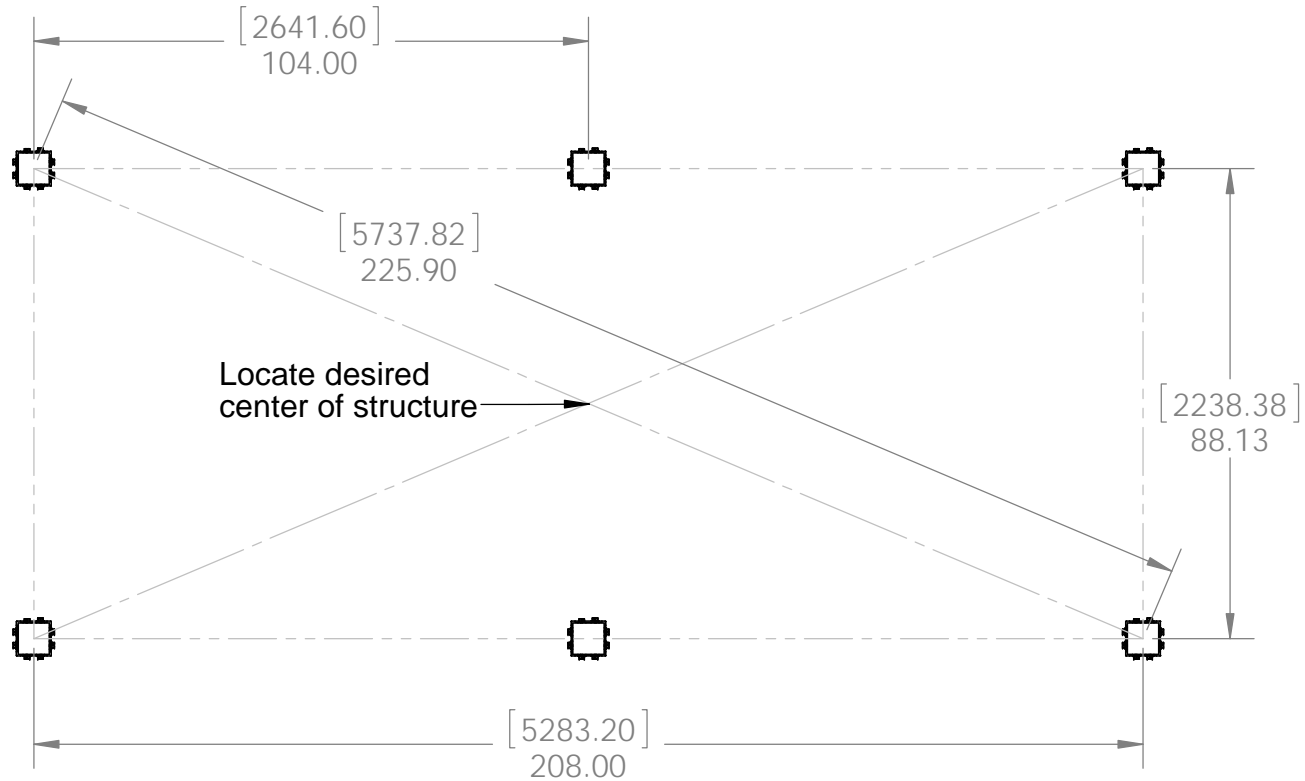
DIY Vineyard Pergola Base

V1.00 - Installation Instructions effective May 1, 2015 and reflects information that available as of April 10, 2014. This information is updated periodically and should not be relied upon after May 1, 2015. Please visit www.OZCOBP.com to get current information



56608

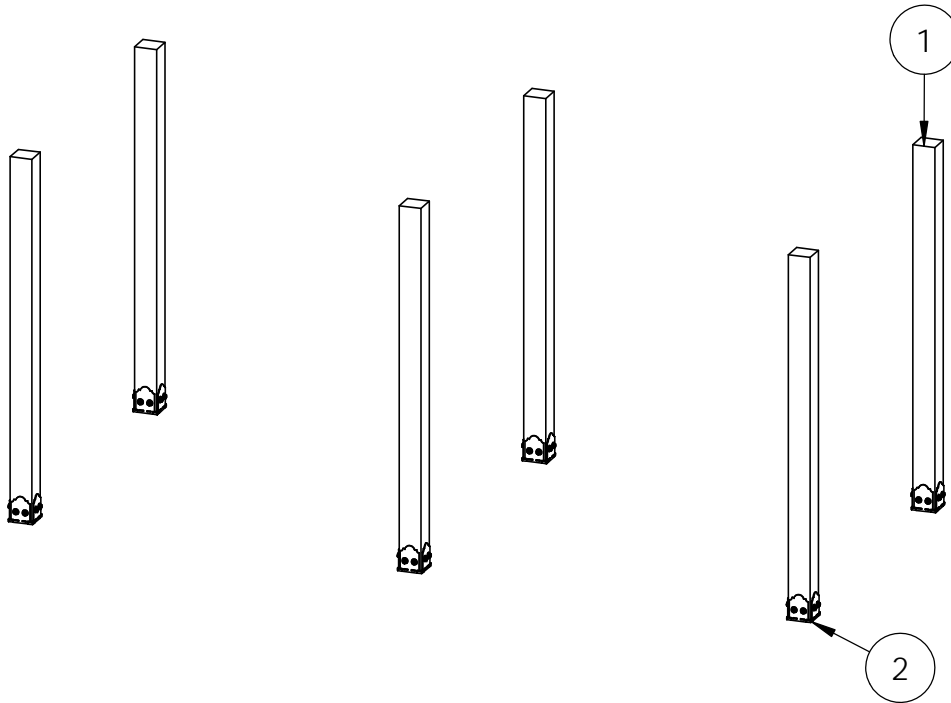




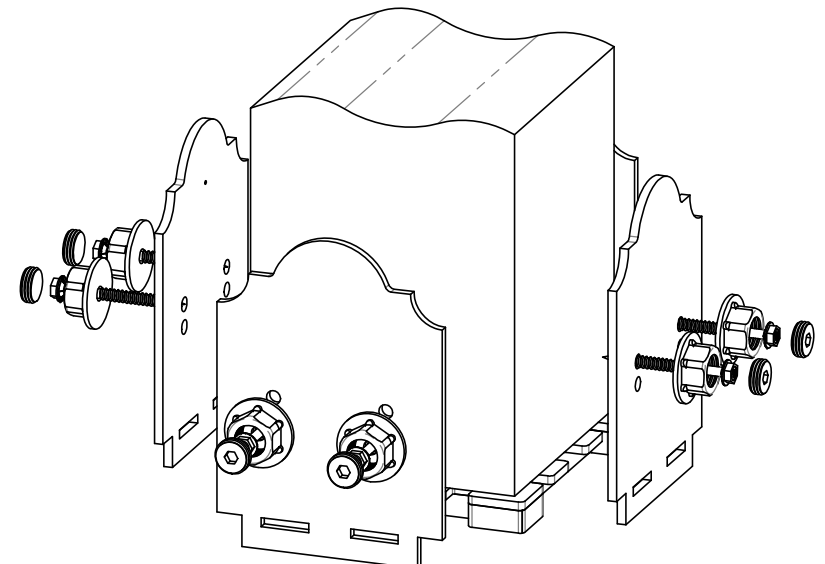
if site is not level,
see Ozco Site Leveling instruction 

Project 340 (10x20) (& Project 340S)

DIY Vineyard Pergola Base



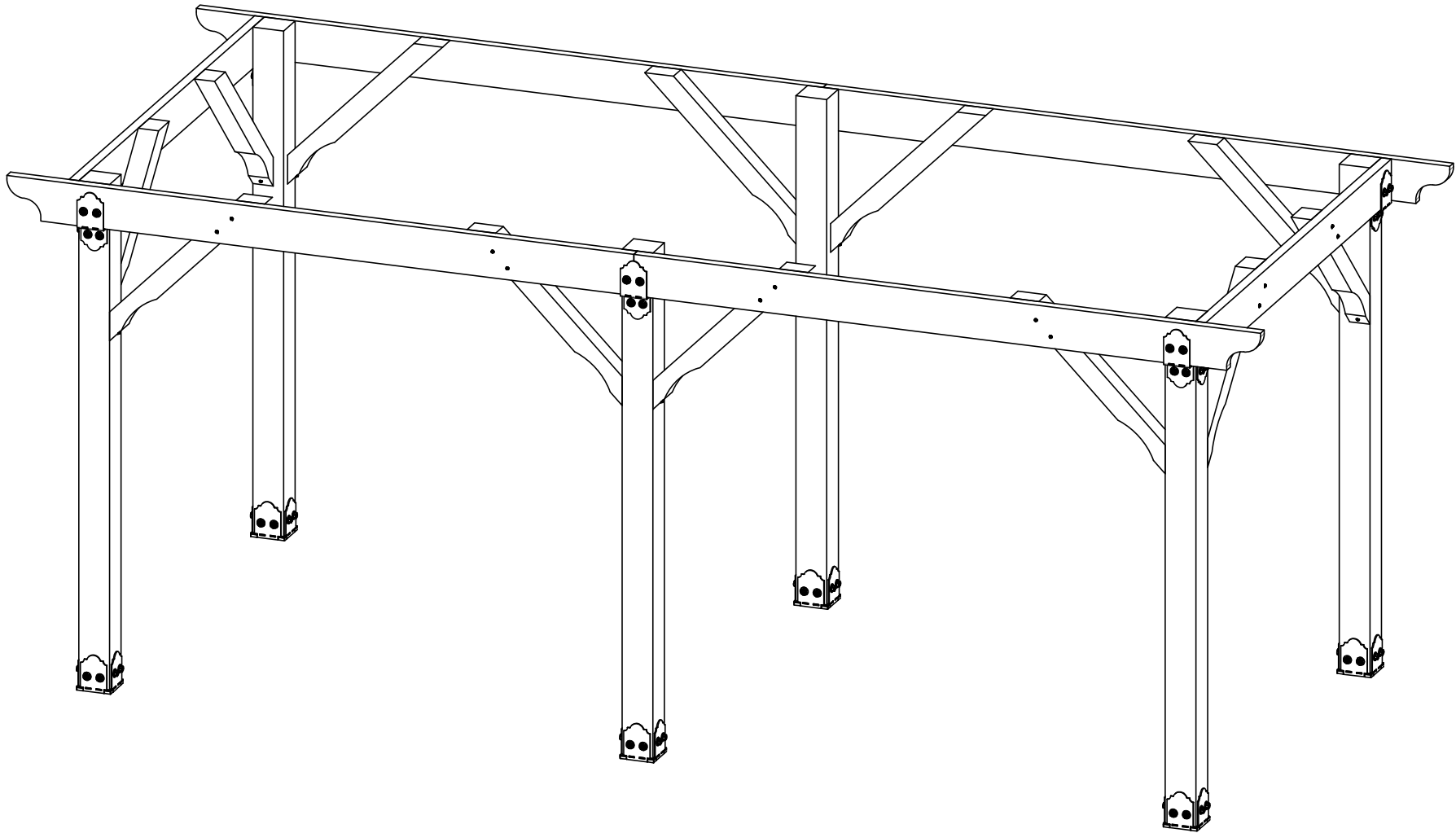
ITEM NO.	Project 340 (10x20)/10 x20/QTY.	PART NUMBER	DESCRIPTION
1	6	6x6 Cedar Post	6x6x96.00
2	6	56608	56608



Project 340 (10x20) (& Project 340S)

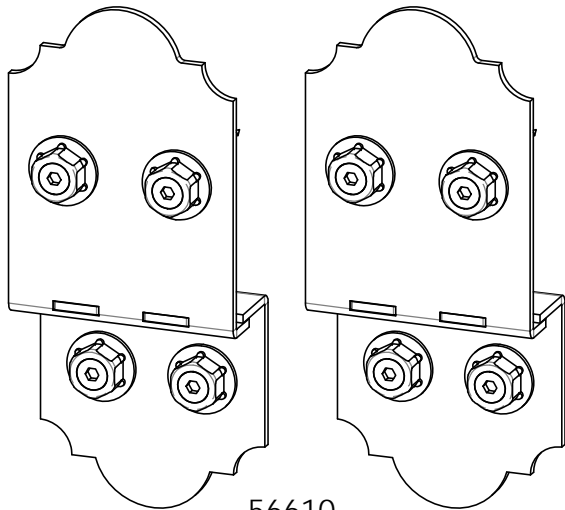
DIY Vineyard Pergola Base

V1.00 - Installation Instructions effective May 1, 2015 and reflects information that available as of April 10, 2014. This information is updated periodically and should not be relied upon after May 1, 2015. Please visit www.OZCOBP.com to get current information

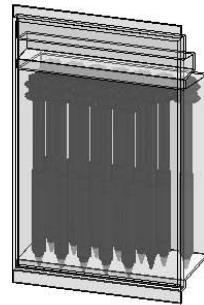


Project 340S (10x20)

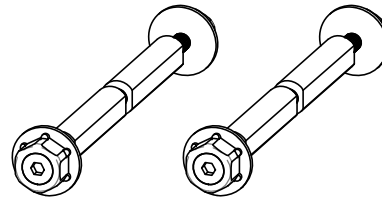
DIY Vineyard Pergola Beam & Support



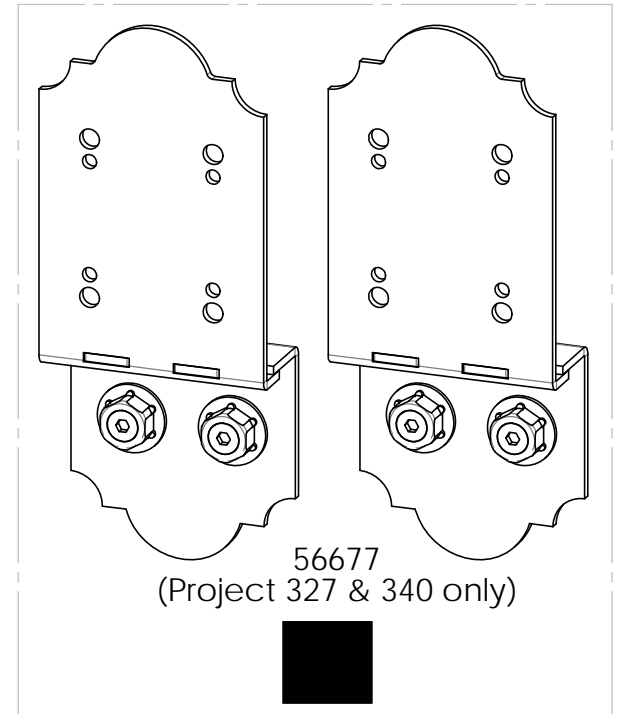
56610



56627
Box of 25

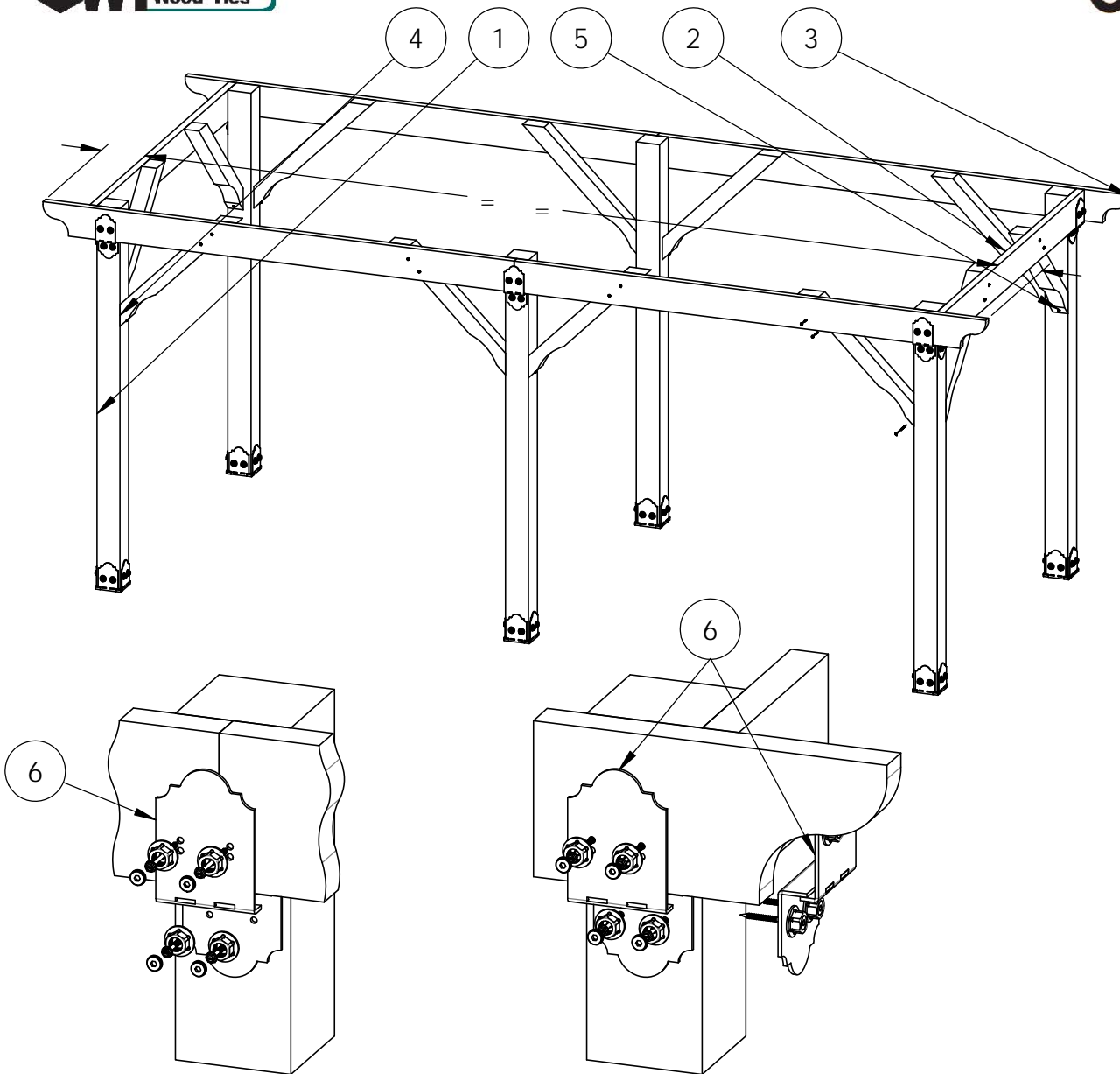


56650



56677
(Project 327 & 340 only)



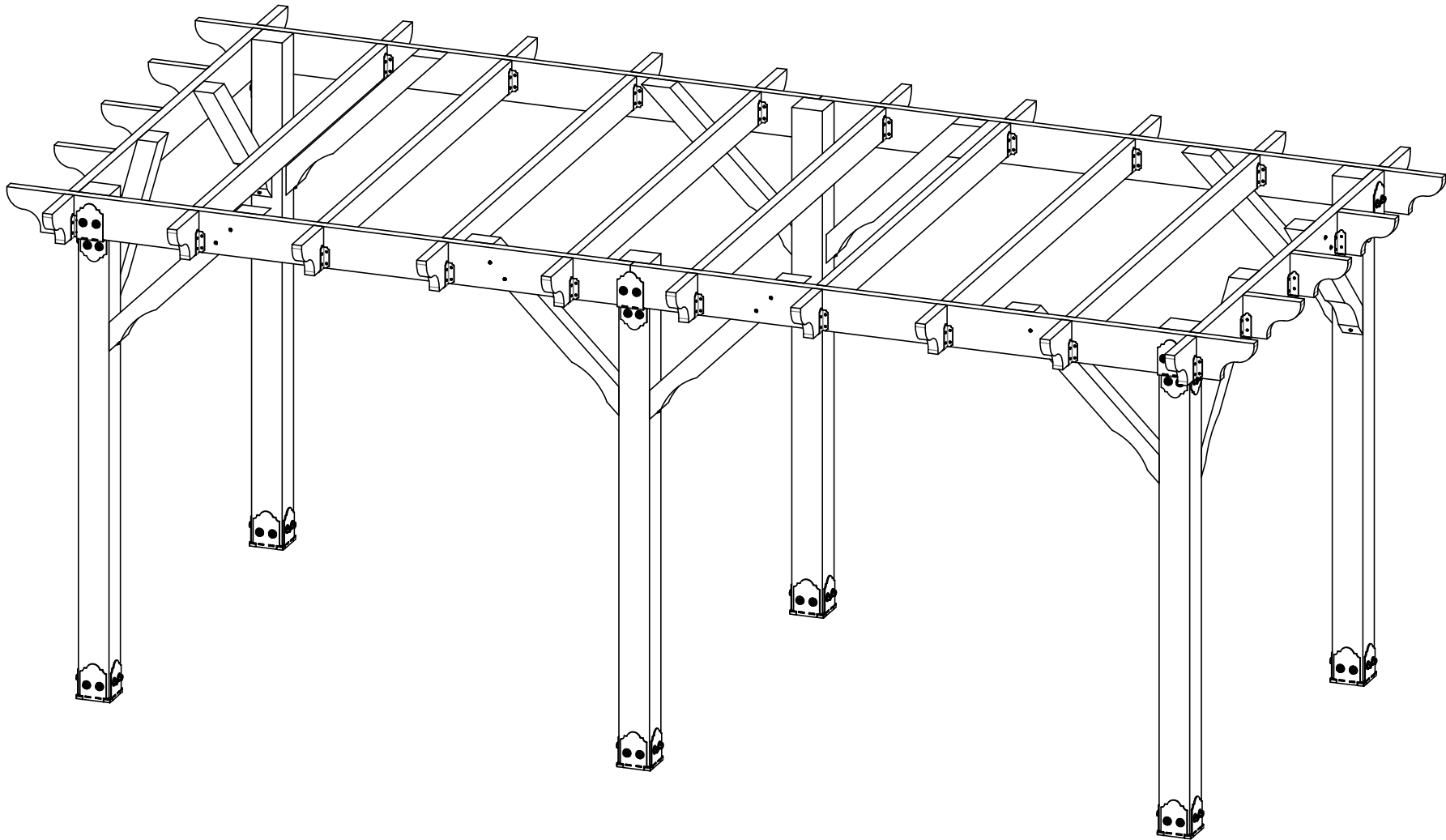


ITEM NO.	Project 340S (10x20)/QTY.	PART NUMBER	DESCRIPTION
1	1	DIY Vineyard Pergola Base	10x20
2	2	2x8 Cedar Board	2x8x94
3	4	2x8 Cedar Board	2x8x120
4	12	4x4 Cedar Post	4x4x42
5	2	56627	OWT Timber Screw 3-3/4"
6	6	56610	8" Post to Beam

Project 340S (10x20)

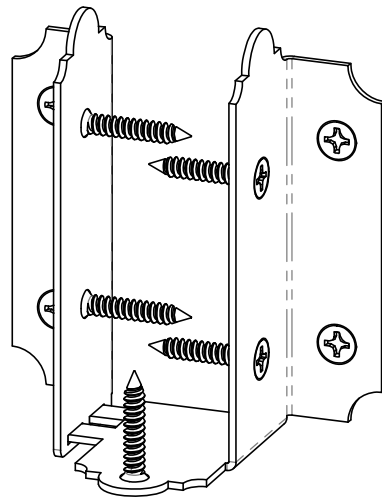
DIY Vineyard Pergola Beam & Support

Rafters

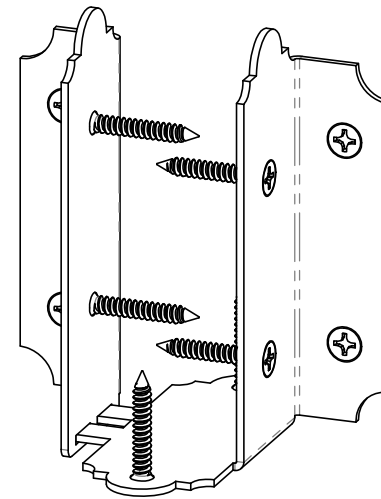


Project 340S (10x20)

DIY Vineyard Pergola Rafters

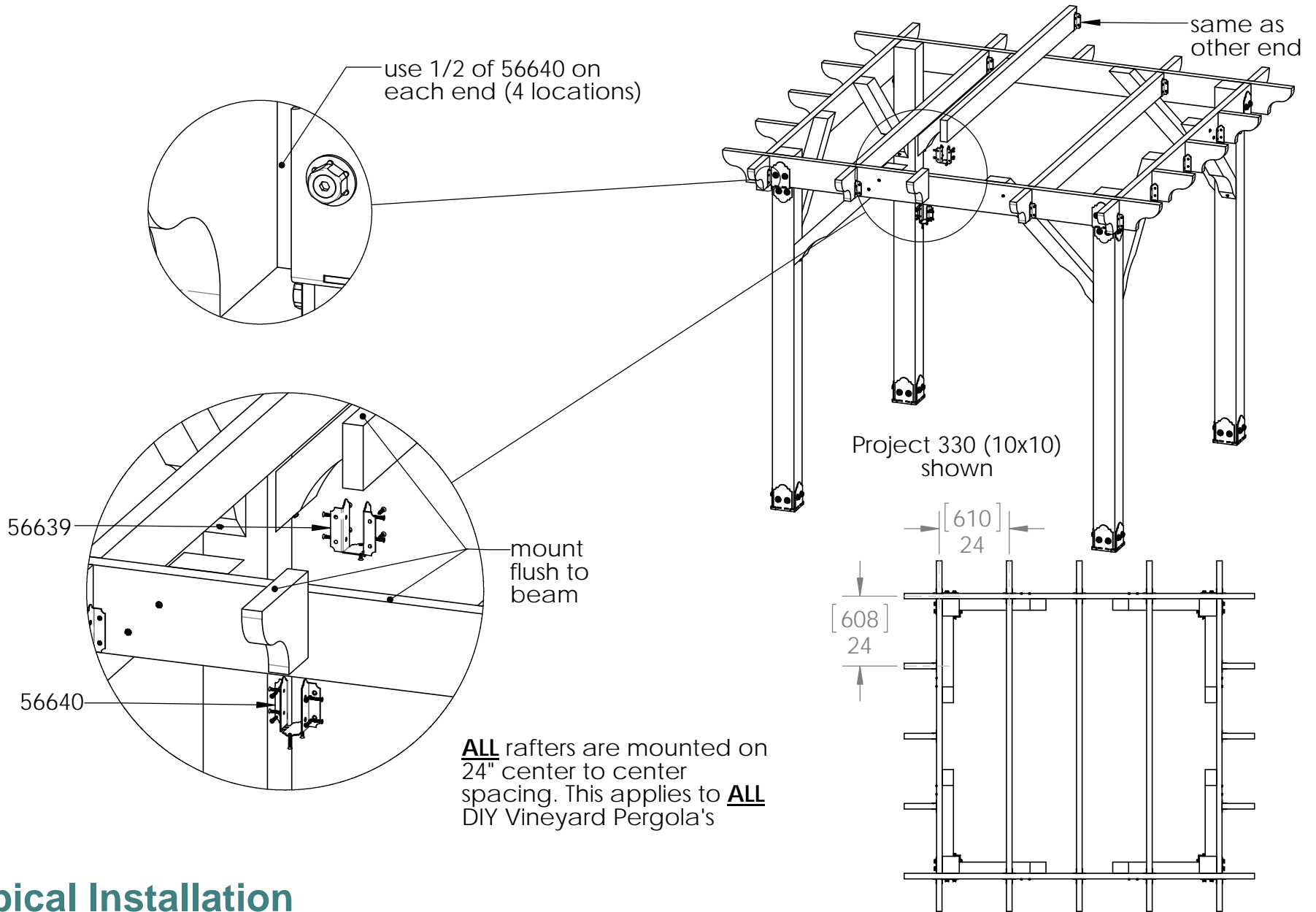


56639



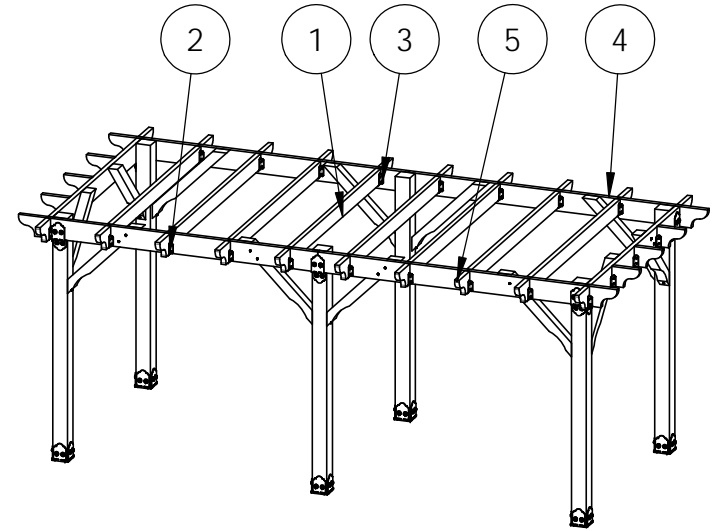
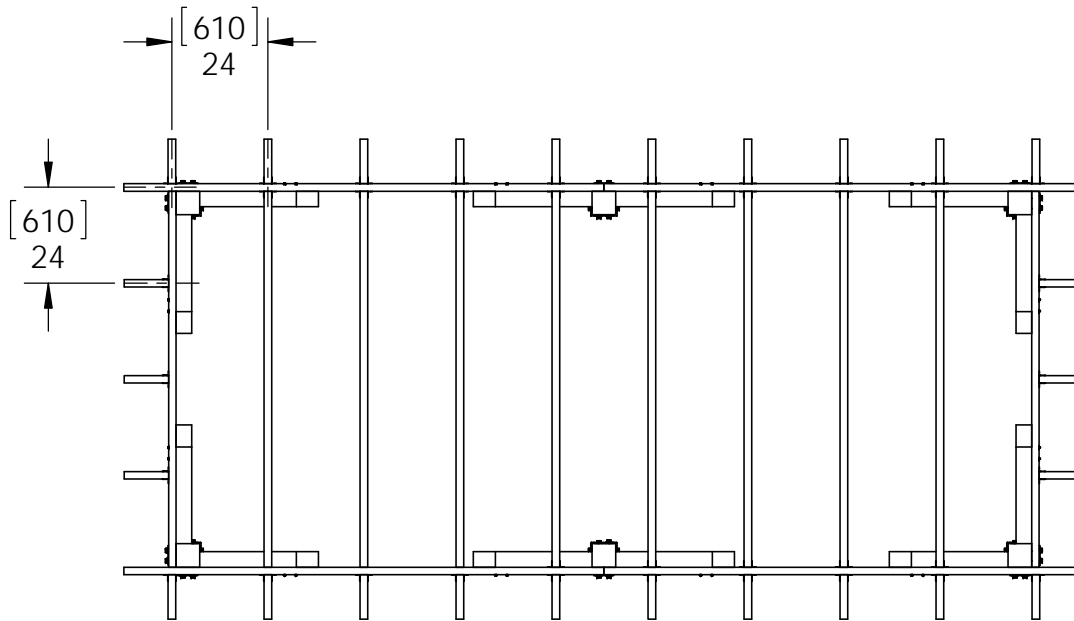
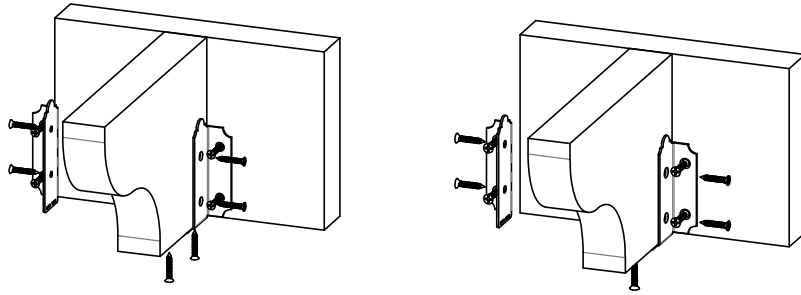
56640





Typical Installation

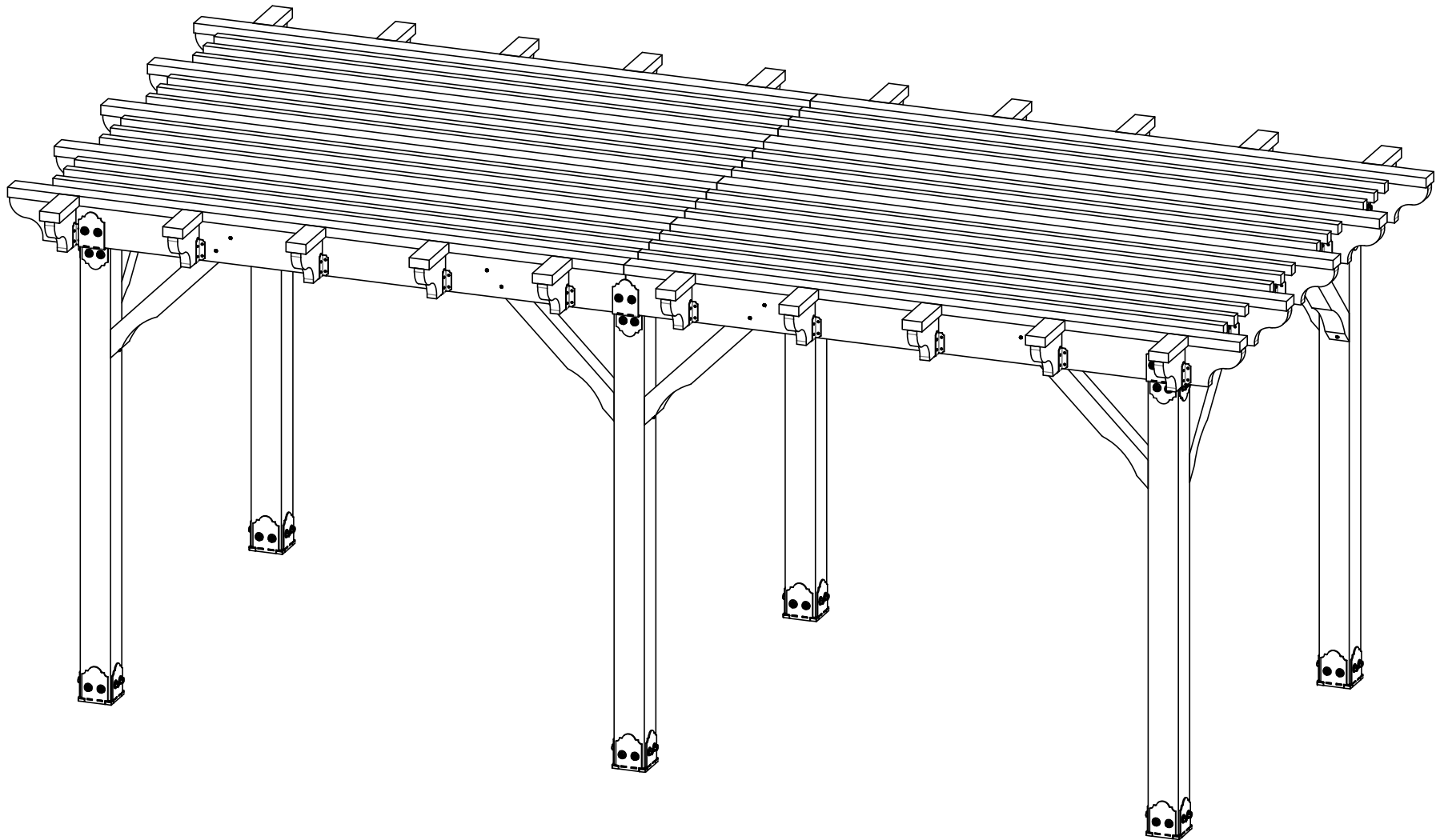
DIY Vineyard Pergola Rafters



ITEM NO.	Project 340S (10x20)/Project 340S (12x20)/QTY.	PART NUMBER	DESCRIPTION
1	8	2x6 Cedar Board	2x6x94.00
2	4	56640	6-8" Joist Hanger Tab
3	3	56639	6-8" Joist Hanger Flush
4	1	DIY Vineyard Pergola Beam & Support	10x20
5	26	2x8 Cedar Board	2x10x11.125

Project 340S (10x20)

DIY Vineyard Pergola Rafters

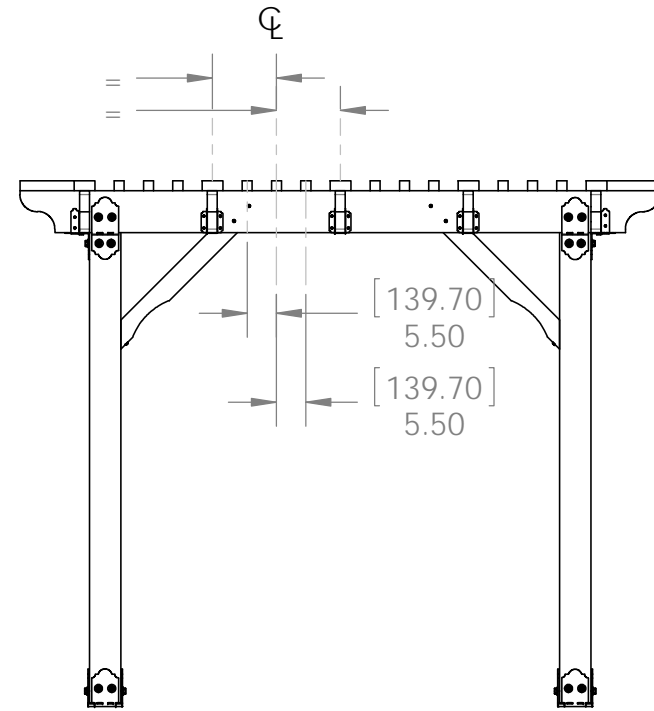
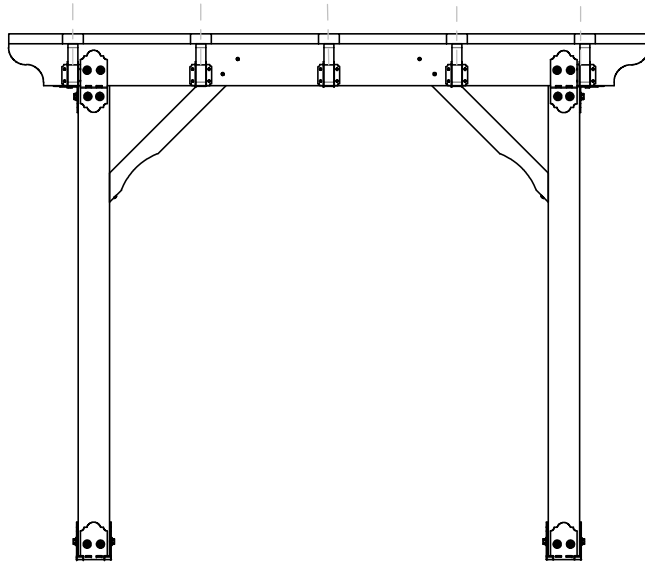


Project 340S (10x20)

DIY Vineyard Pergola Purlins

ALL 2x4 Purlins are centered on Rafters and secured with nails or screws

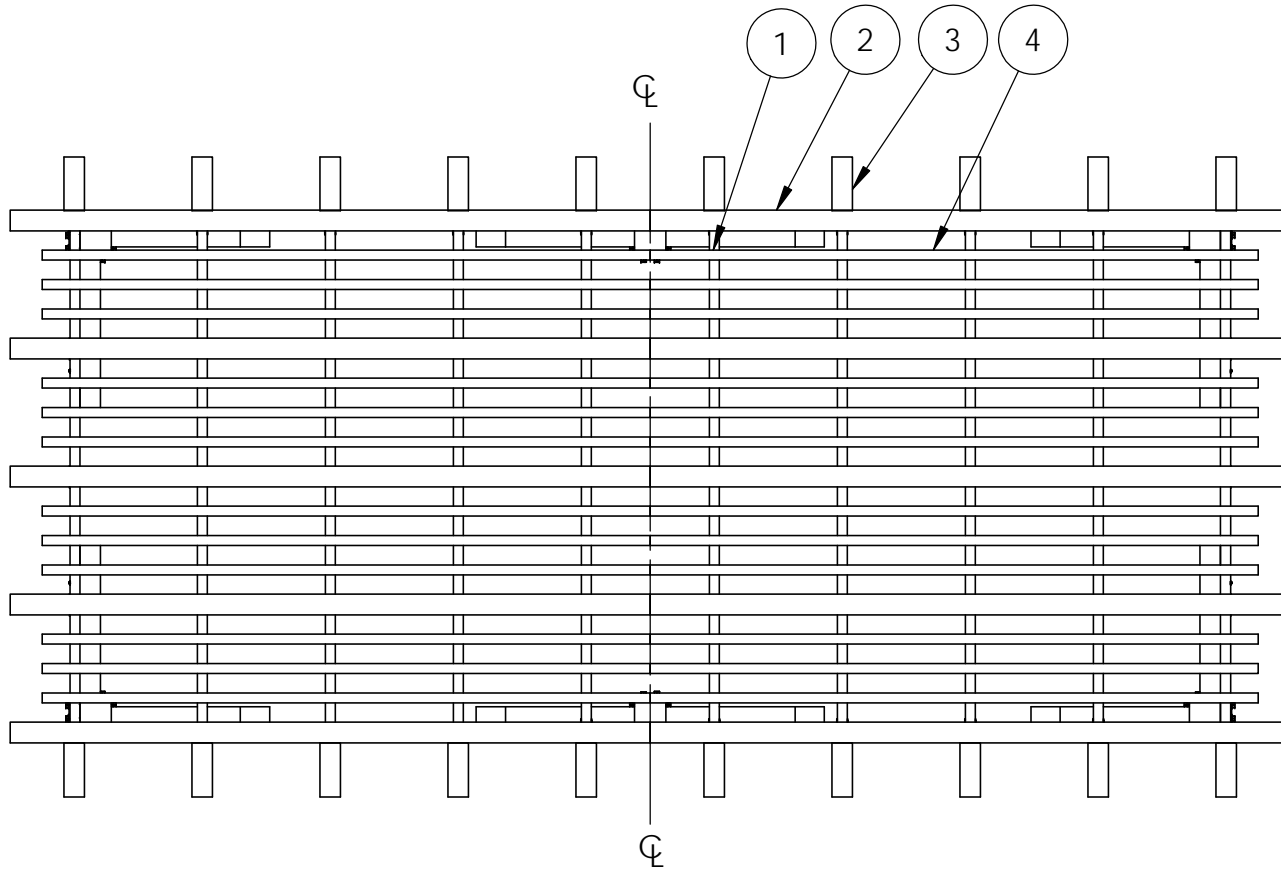
ALL 2x2 Purlins are spaced as shown between 2x4 Purlins and secured with nails or screws



Project 330 (10x10)
shown

Typical Installation

DIY Vineyard Pergola Purlins



ITEM NO.	Project 340S (10x20)/QTY.	PART NUMBER	DESCRIPTION
1	1	DIY Vineyard Pergola Rafters	10x20
2	10	2x4 Cedar Board	2x4x120.00
3	20	2x4 Cedar Board	2x4x10.13
4	24	2x2 Cedar Board	2x2x114.00

see "Typical Installation" page for Purlin Spacing

Project 340S (10x20)

DIY Vineyard Pergola Purlins