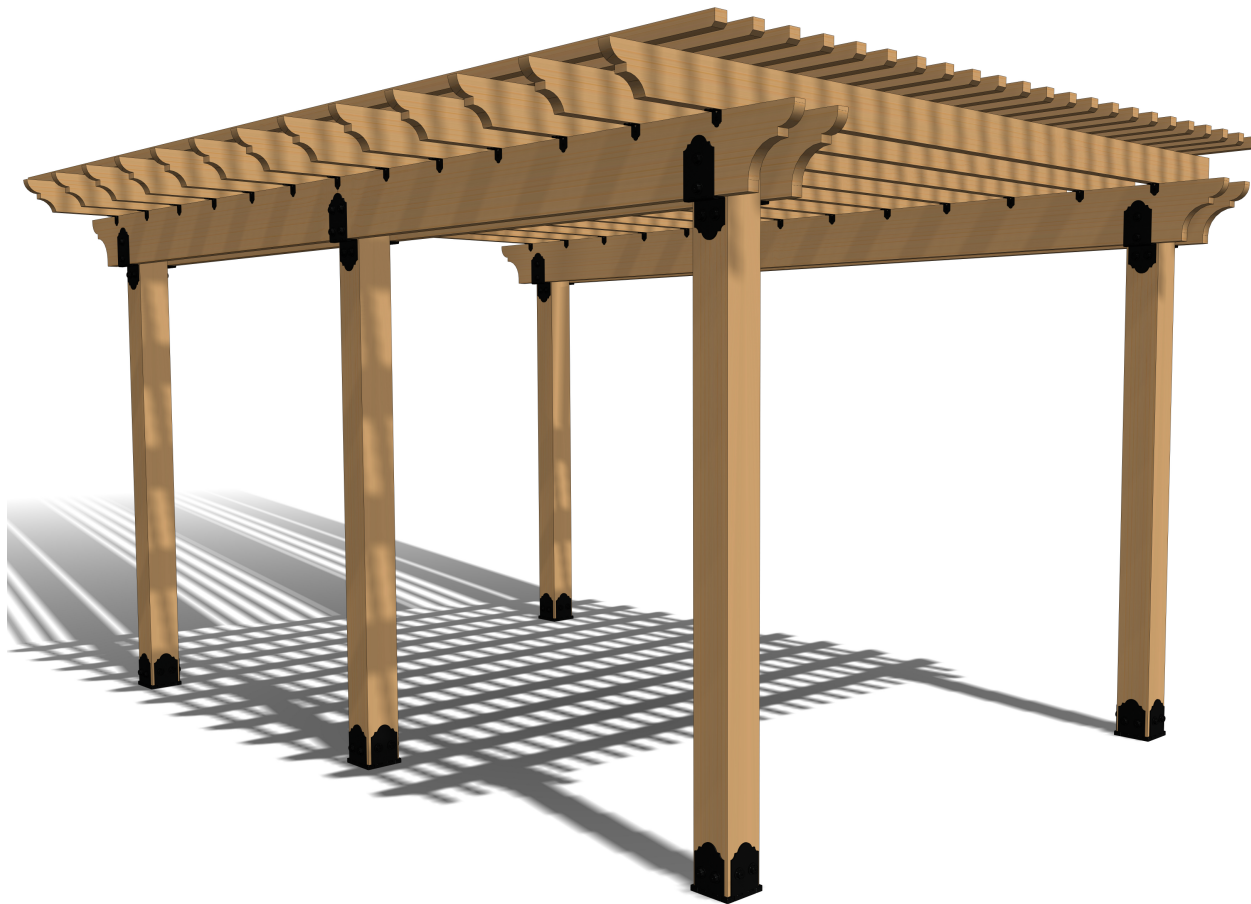
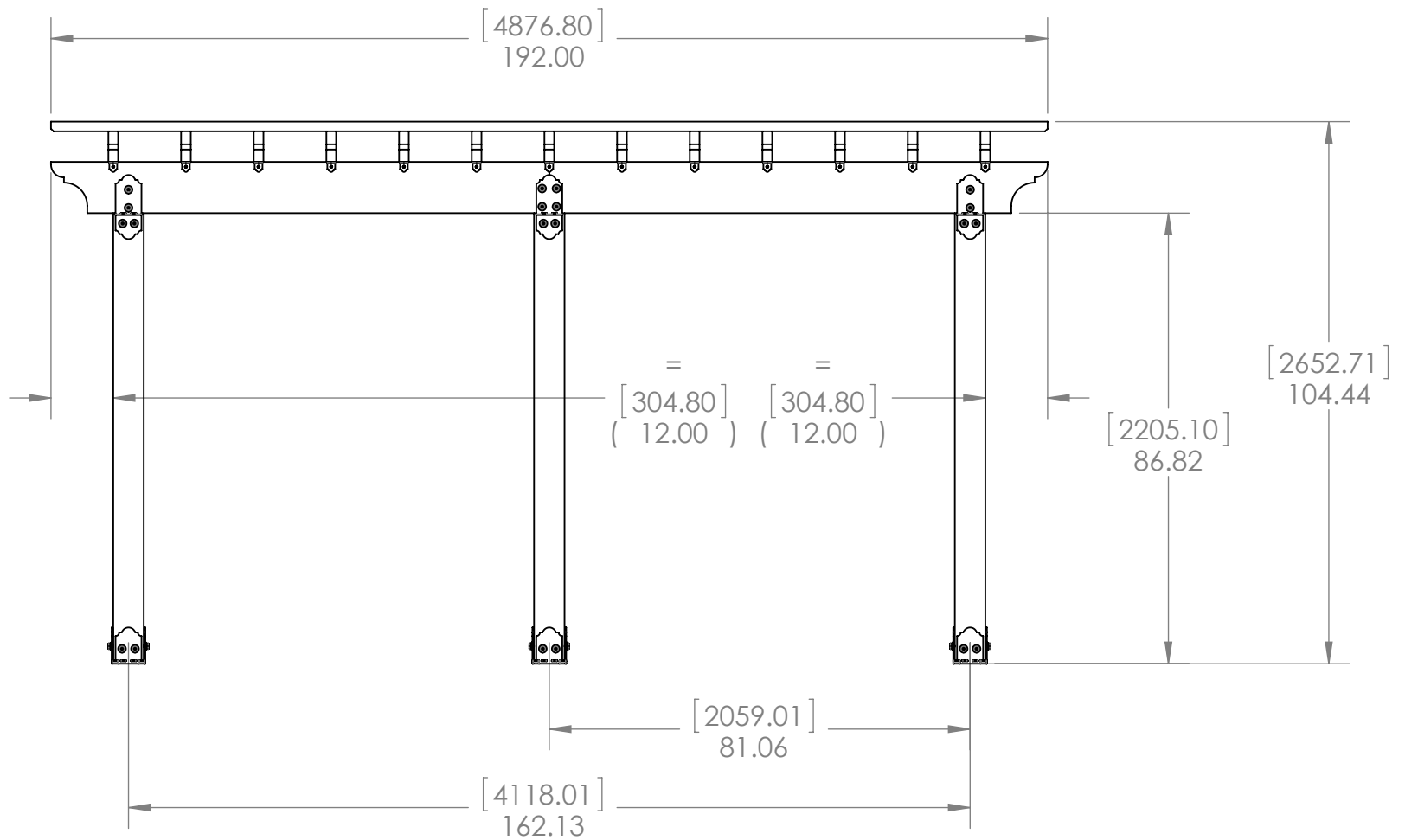


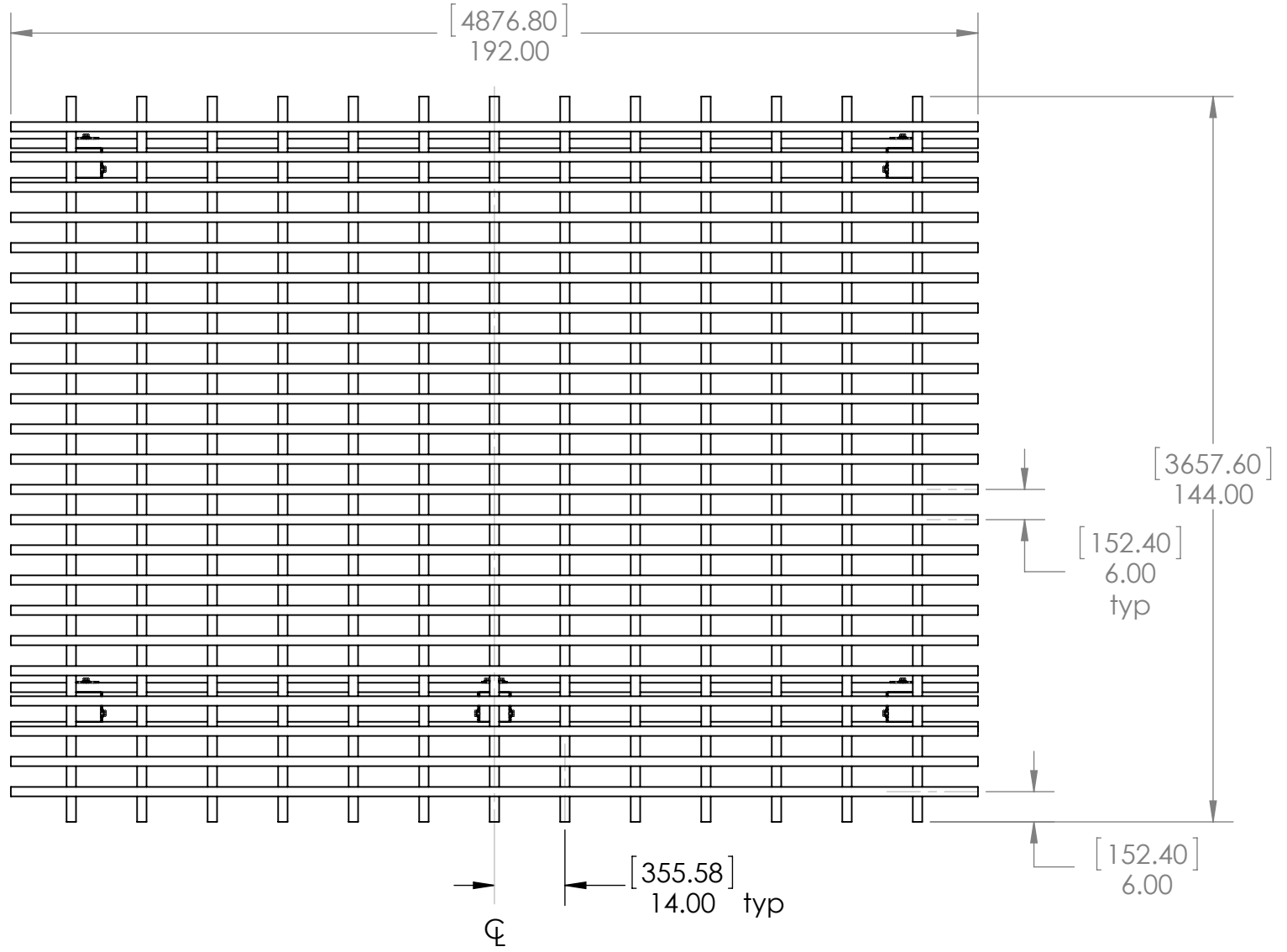
Project 342 Patio Pergola





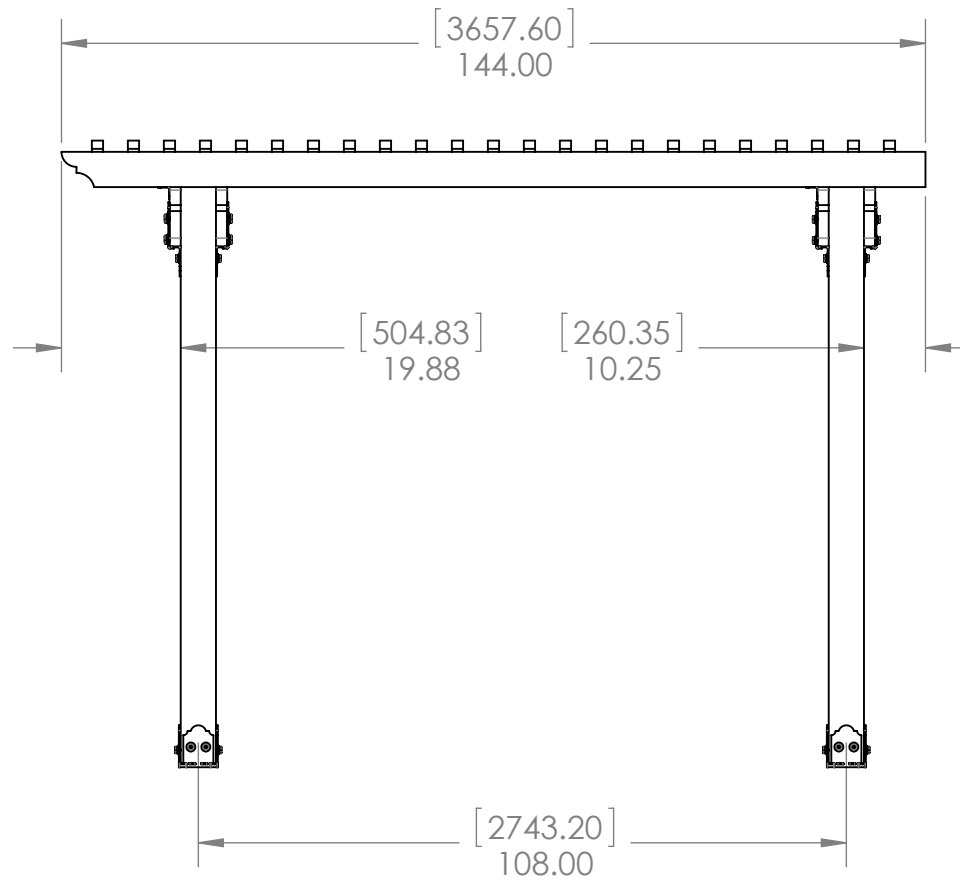
Overview-Front

Project 342 Patio Pergola



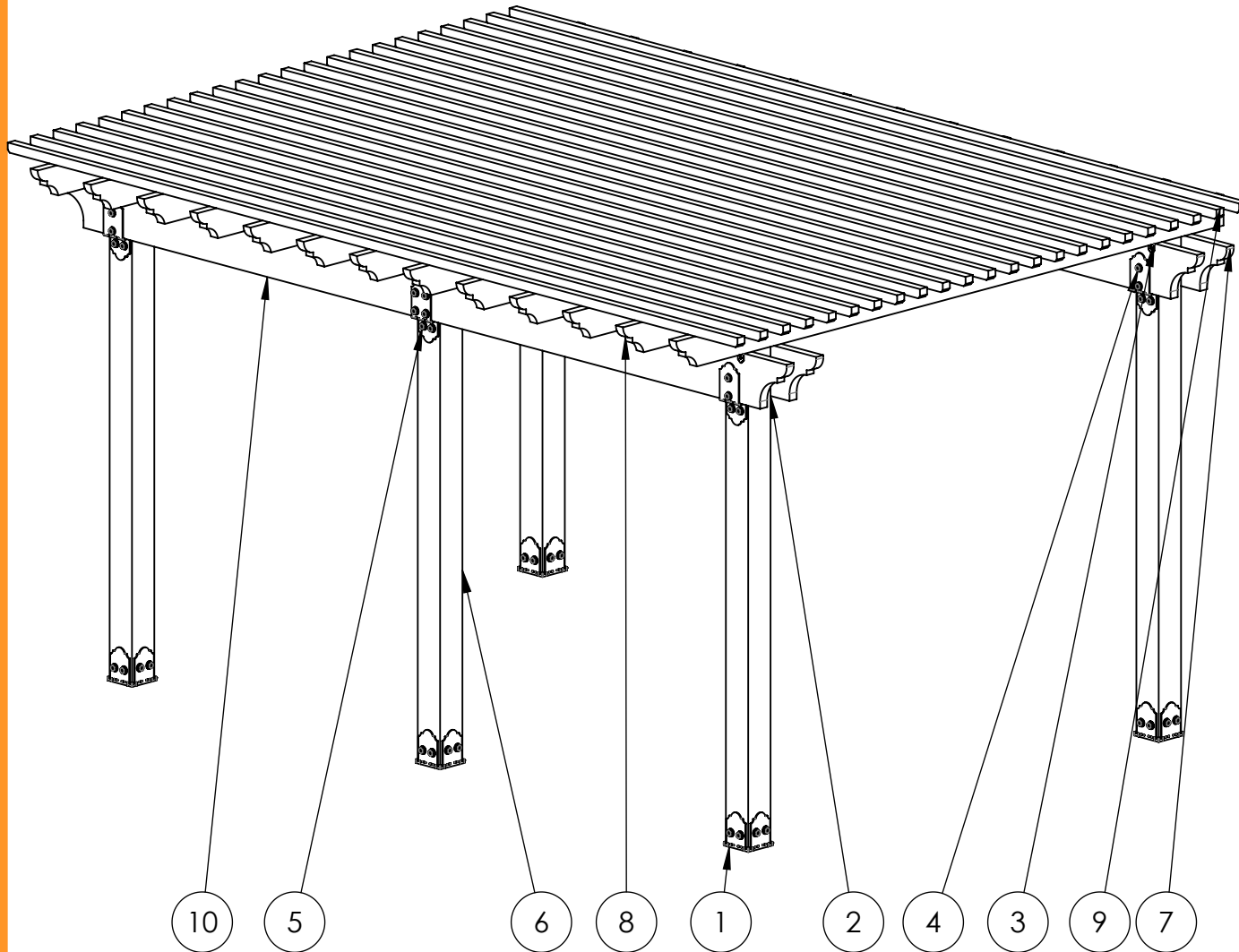
Overview-Top

Project 342 Patio Pergola



Overview-Right

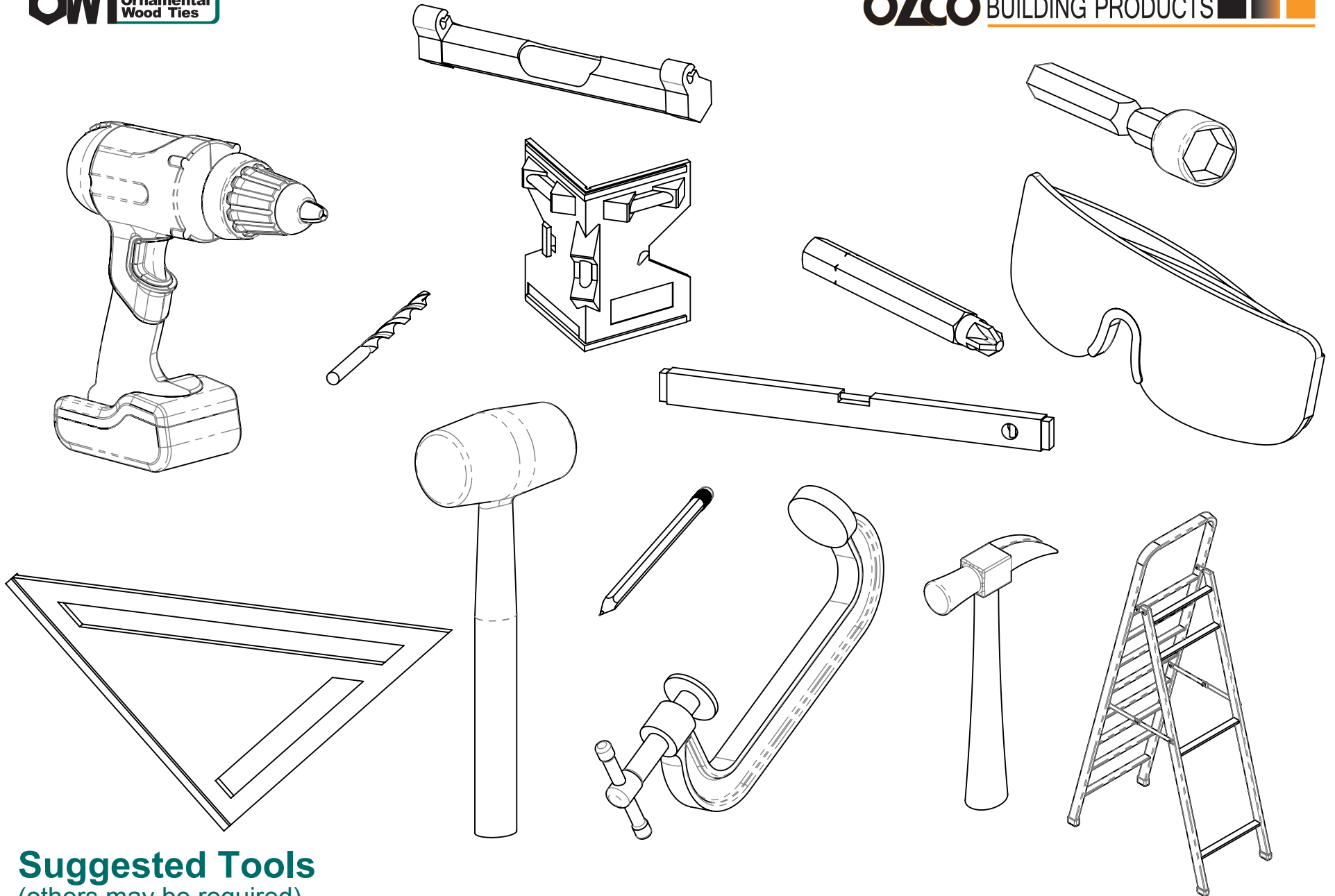
Project 342 Patio Pergola



ITEM NO.	QTY.	PART NUMBER	DESCRIPTION
1	5	56608	56608 Post to Beam Bolt Inline
2	5	56637	56637 Post to Beam Bolt Inline
3	3	56617	56617 Assembly, 2" Rafter Clip
4	6	56651	56651 Assembly, OWT Timber Bolt 8-10"
5	1	56677	56677 8" Post to Beam Coupler Laredo Sunset (P2B-SB-8)
6	5	6x6 Cedar Post	6x6 Cedar Post 8 feet
7	2	2x10 Cedar Board	2x10x16
8	13	2x6 Cedar Board	2x6x144.00
9	23	2x2 Cedar Board	2x2x192.00
10	4	2x10 Cedar Board	2x10x8

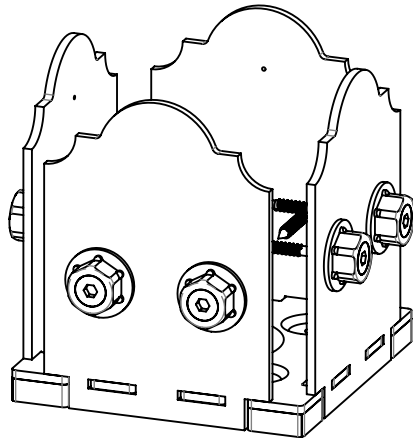
Bill of Material

Project 342 Patio Pergola

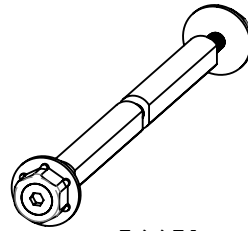


Suggested Tools
(others may be required)

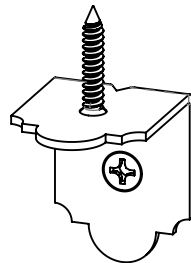
Project 342 Patio Pergola



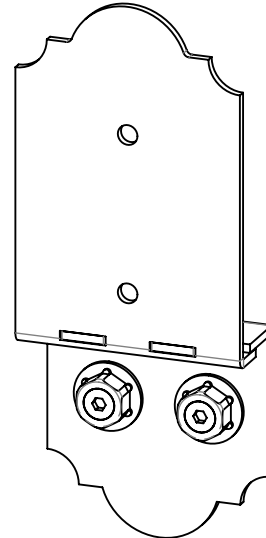
56608



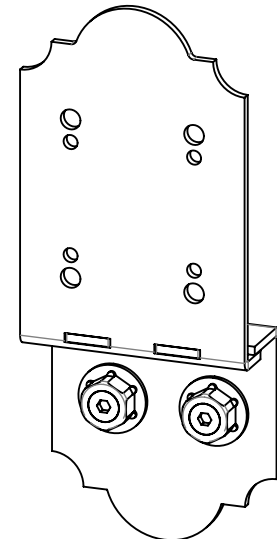
56651
2 pack



56617
10 pack

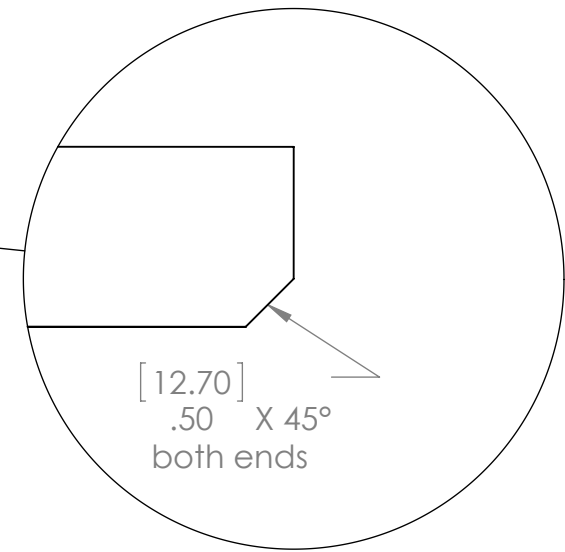
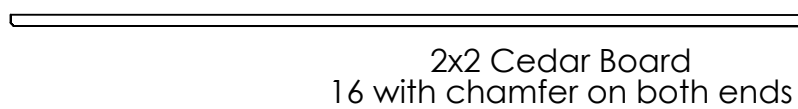
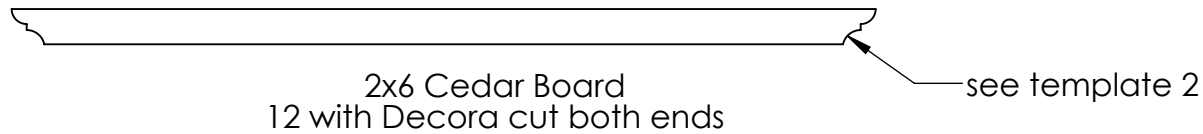
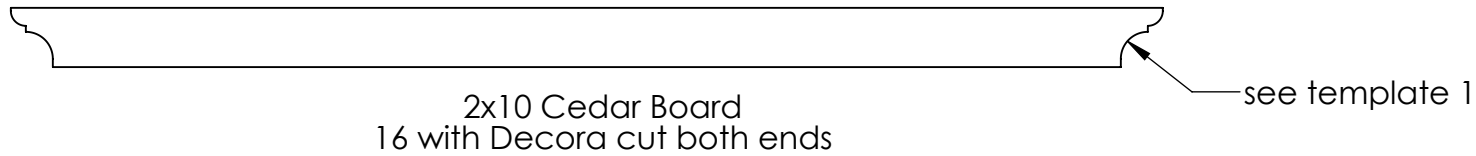
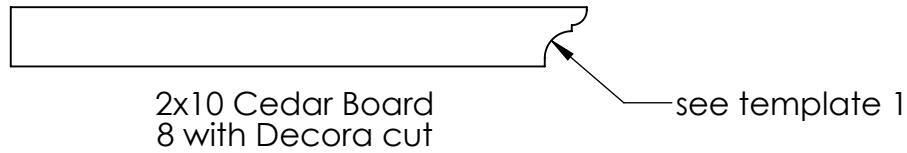


56637
2 pack



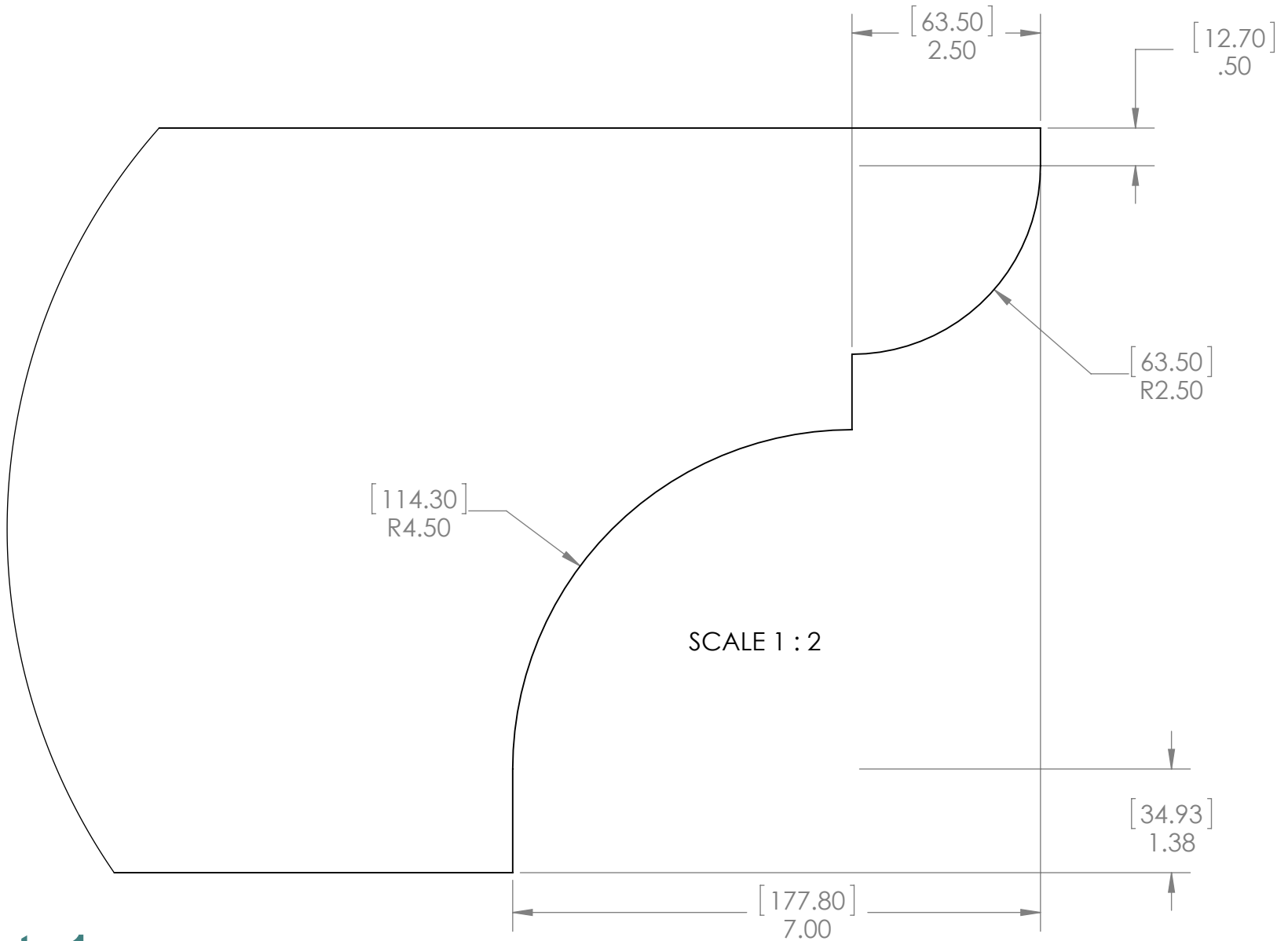
56677
2 pack





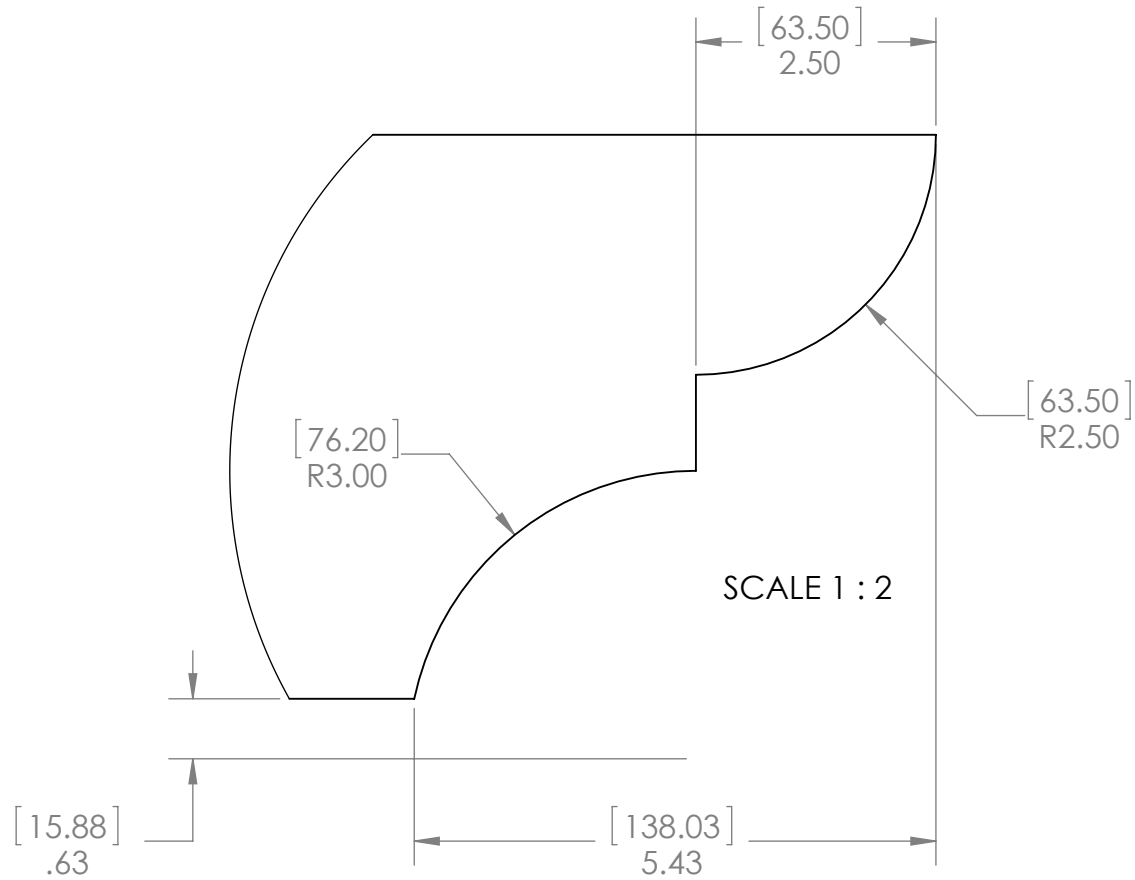
Cutlist

Project 342 Patio Pergola



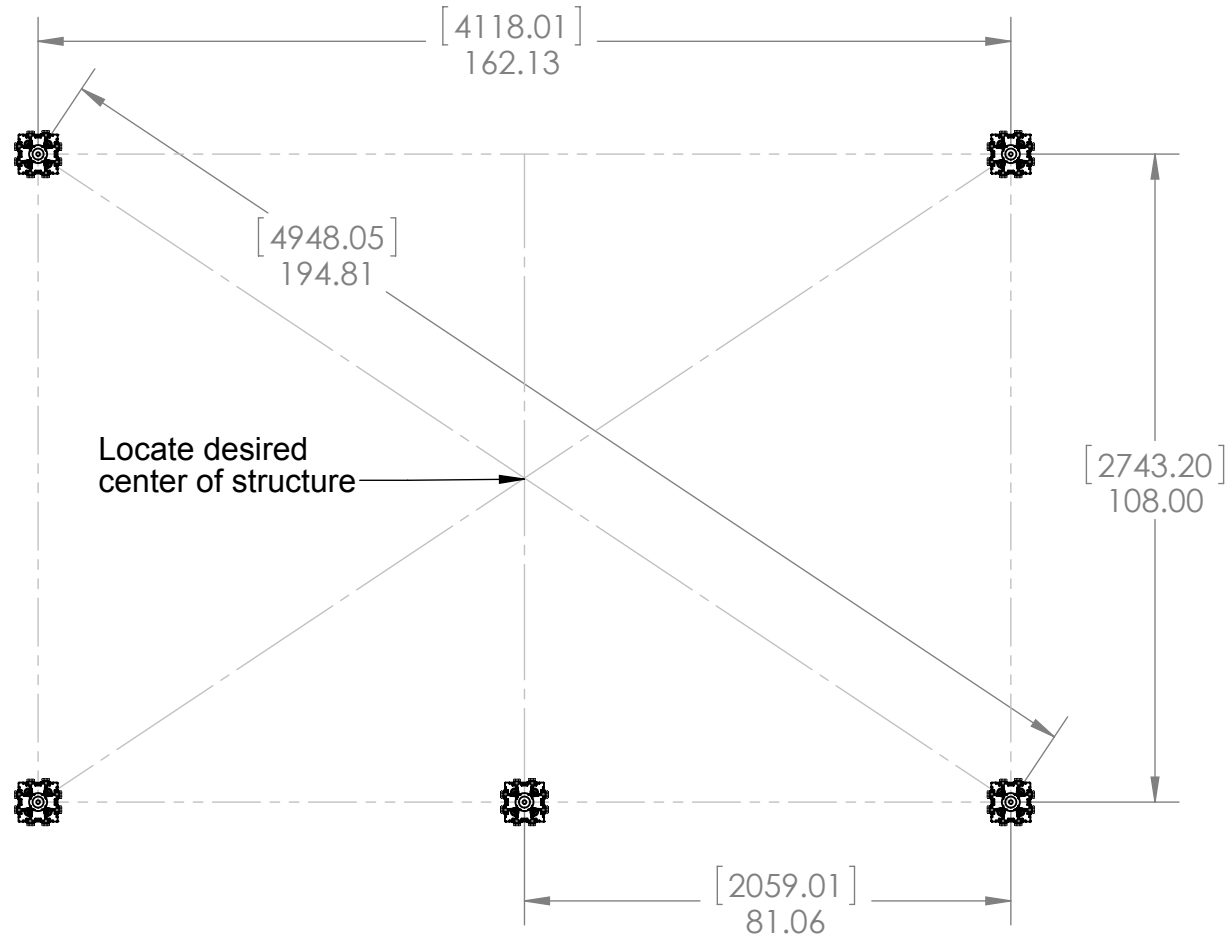
Template 1

Project 342 Patio Pergola



Template 2

Project 342 Patio Pergola

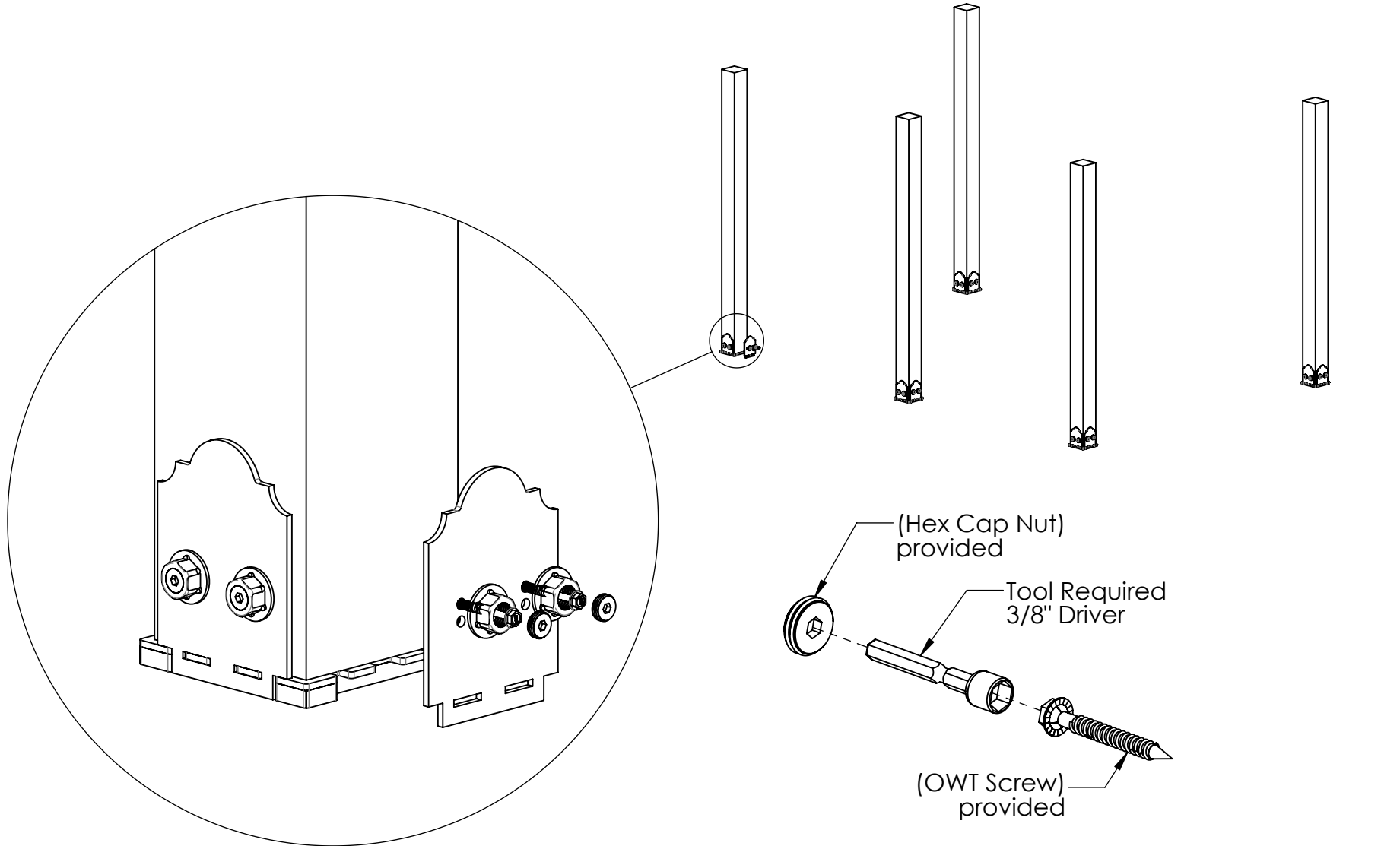


if site is not level,
see Ozco Site Leveling instruction



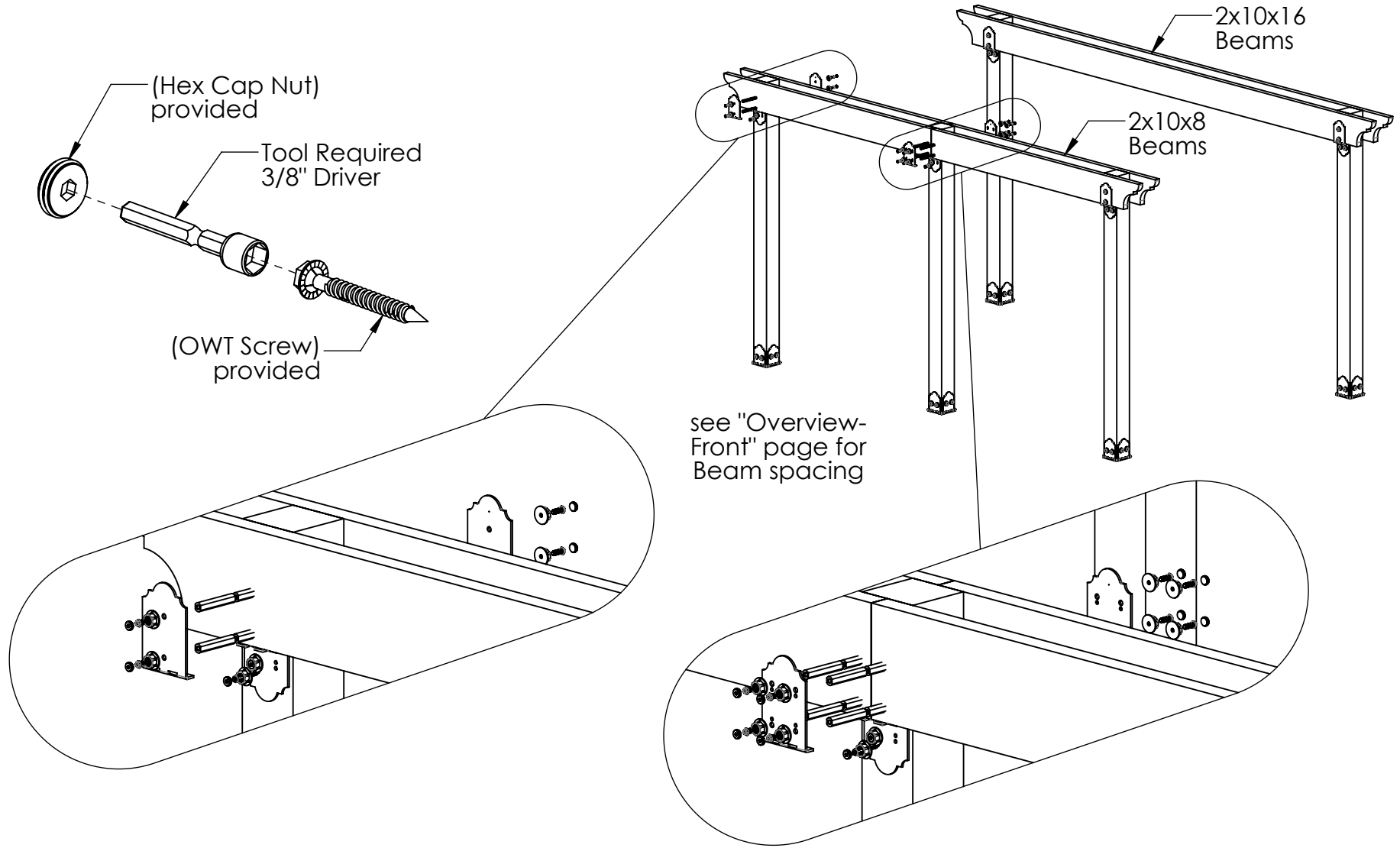
site plan

Project 342 Patio Pergola



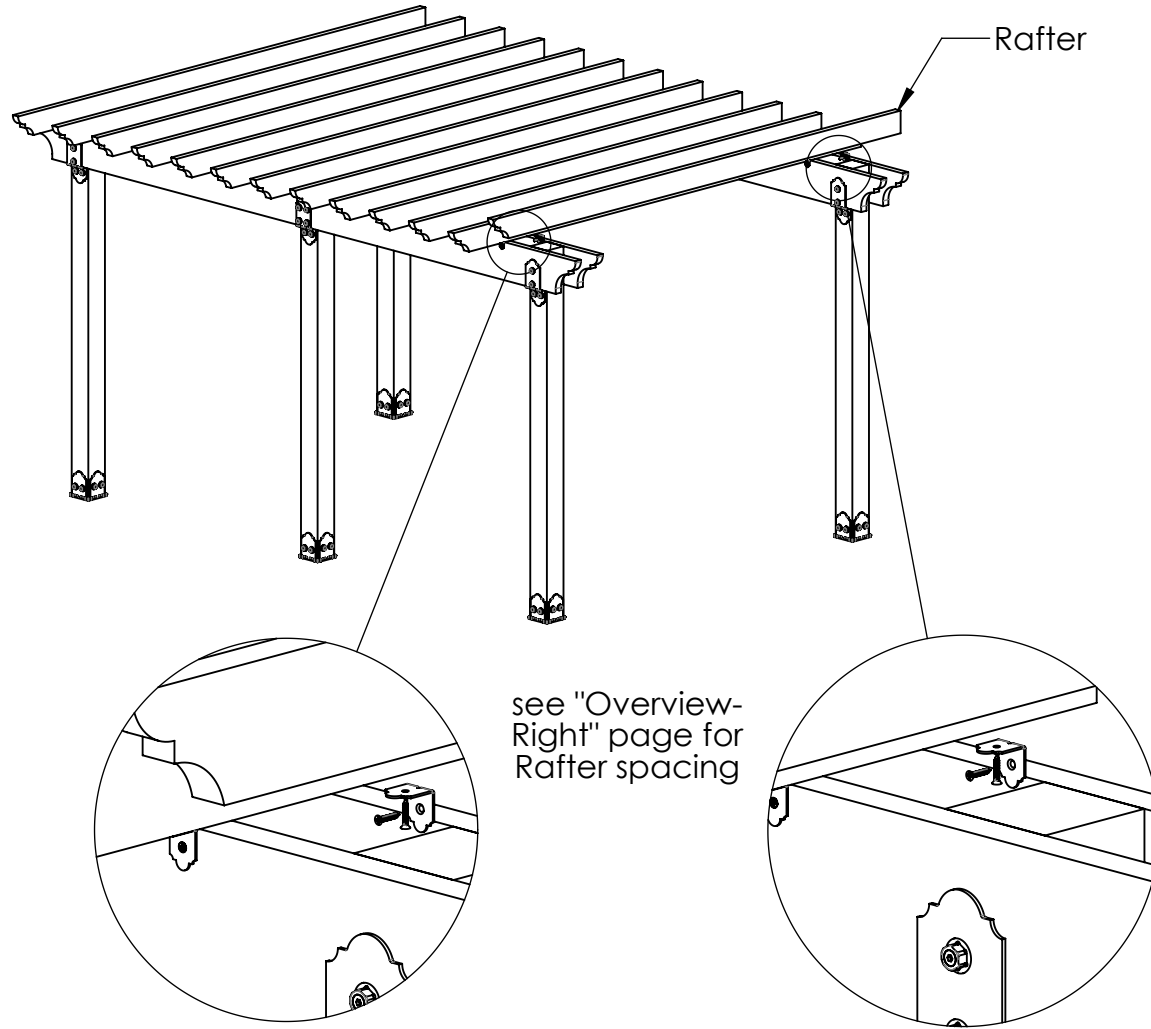
step 1

Project 342 Patio Pergola



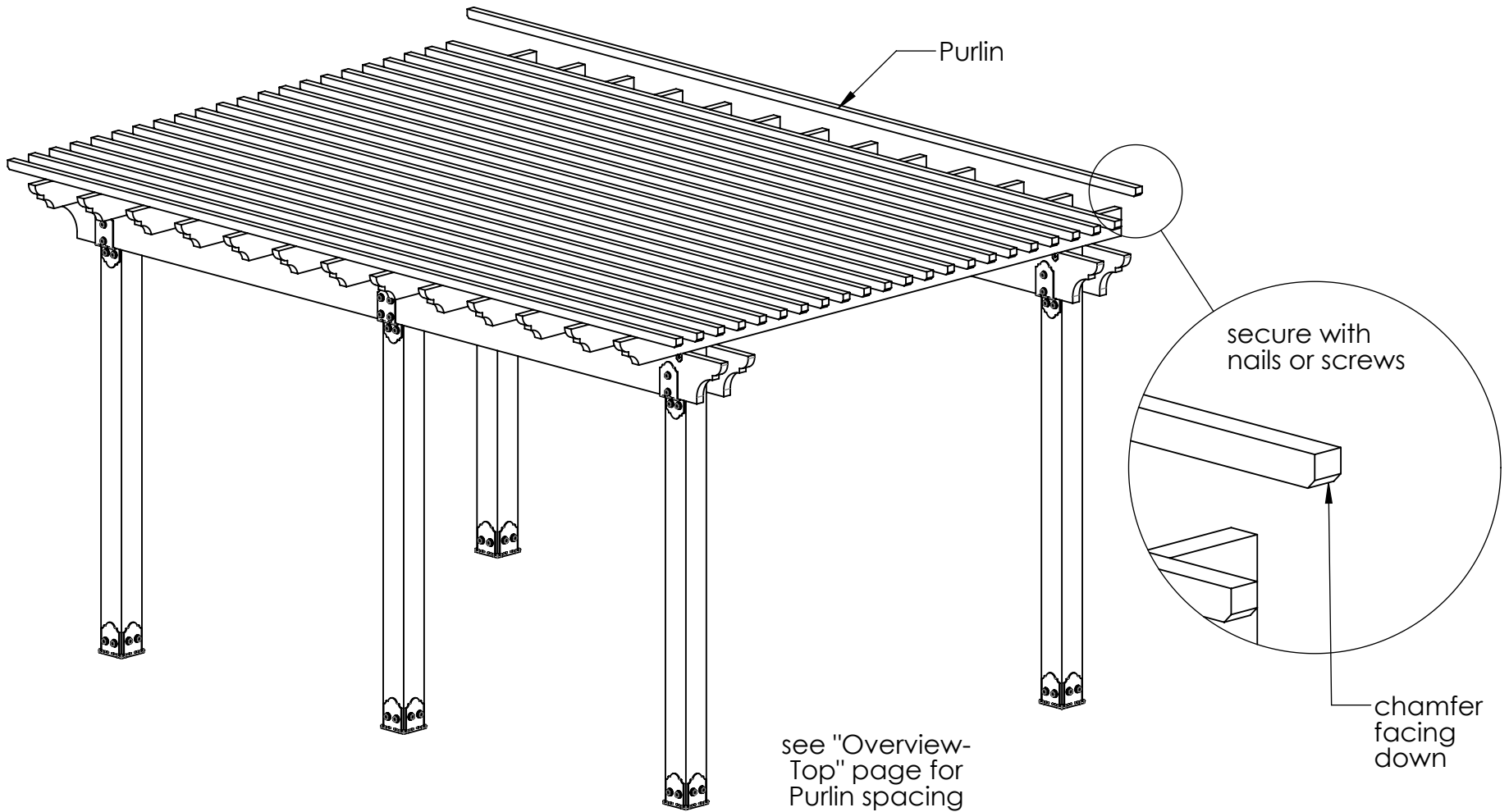
step 2

Project 342 Patio Pergola



step 3

Project 342 Patio Pergola



step 4

Project 342 Patio Pergola