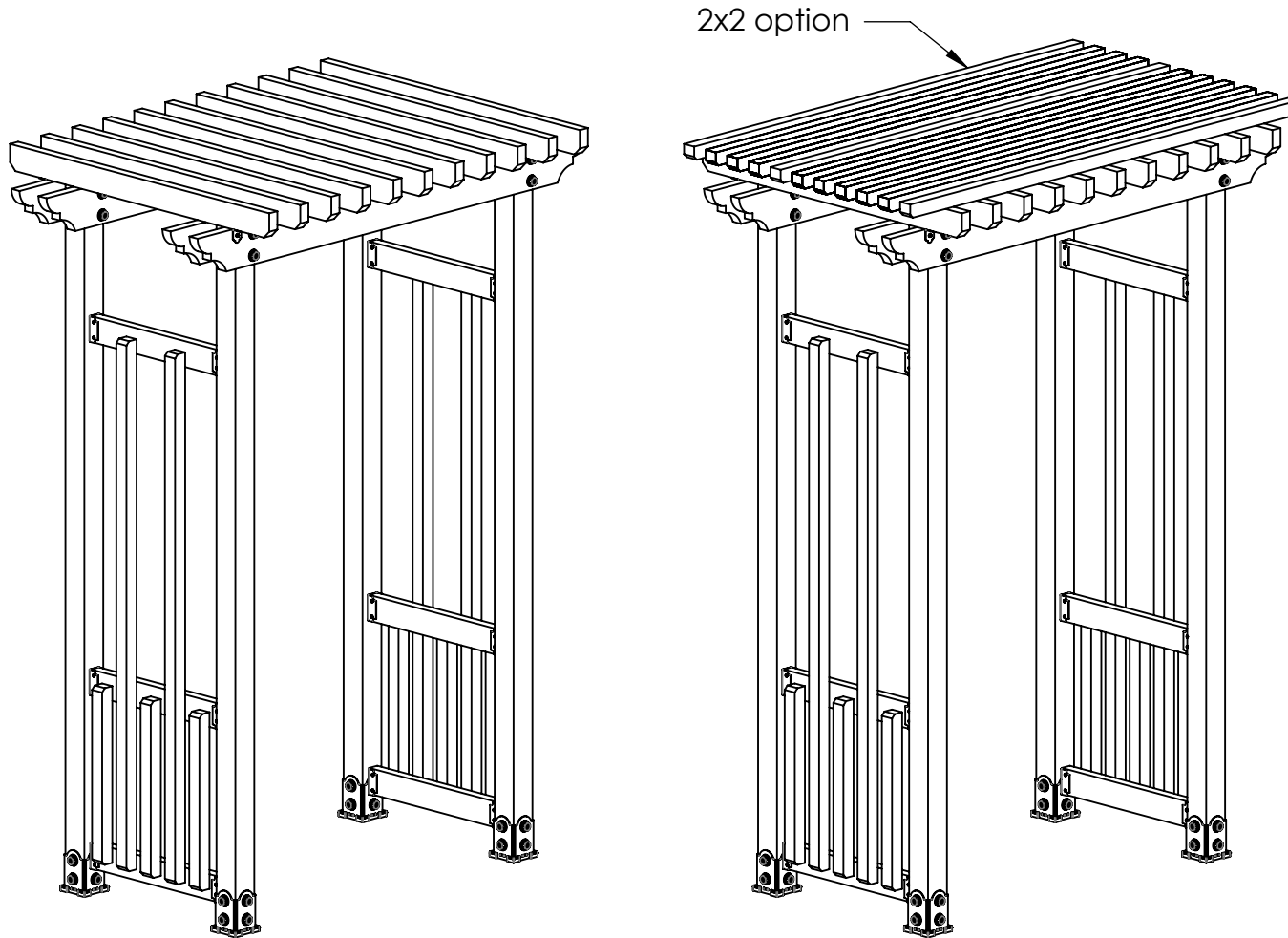
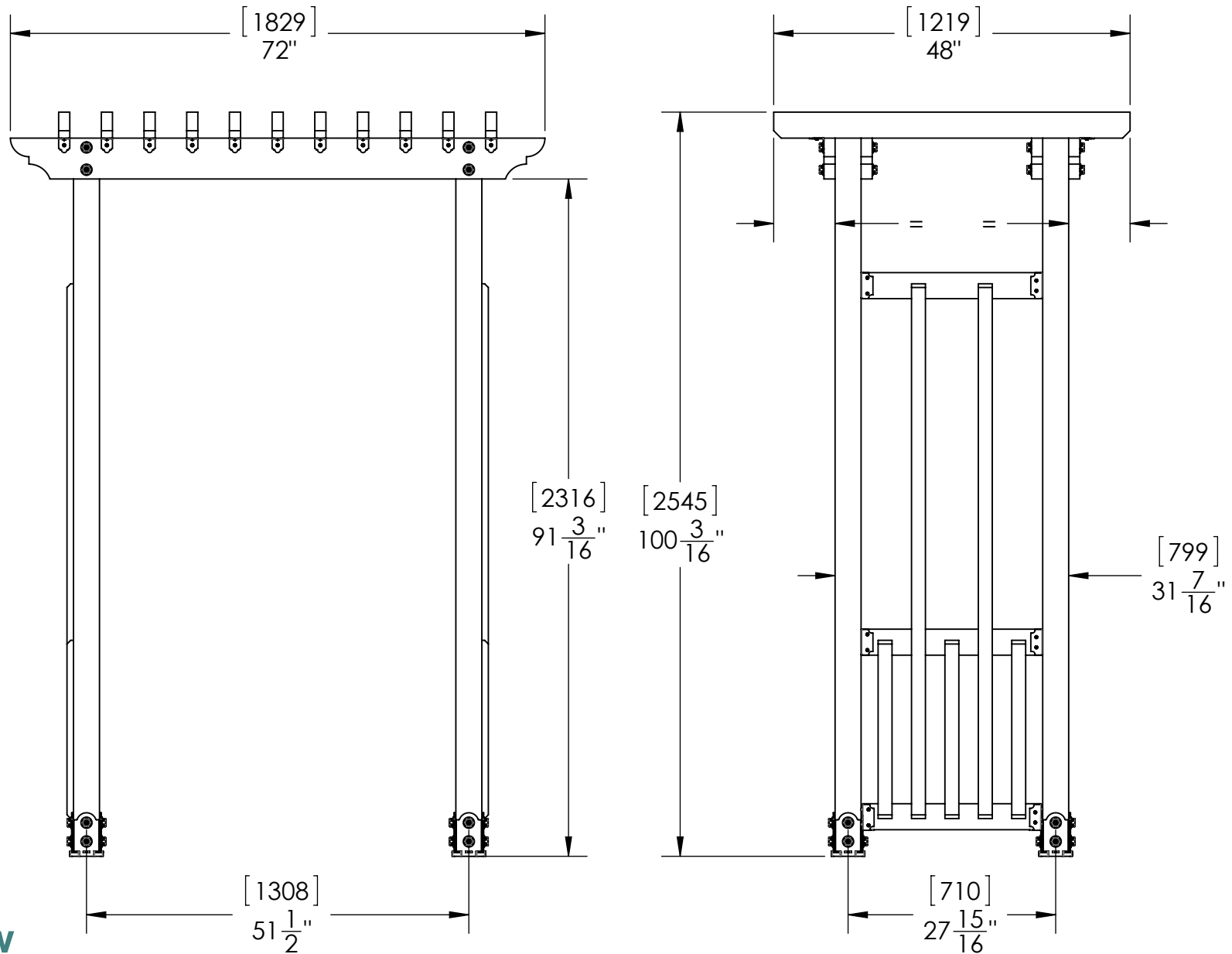


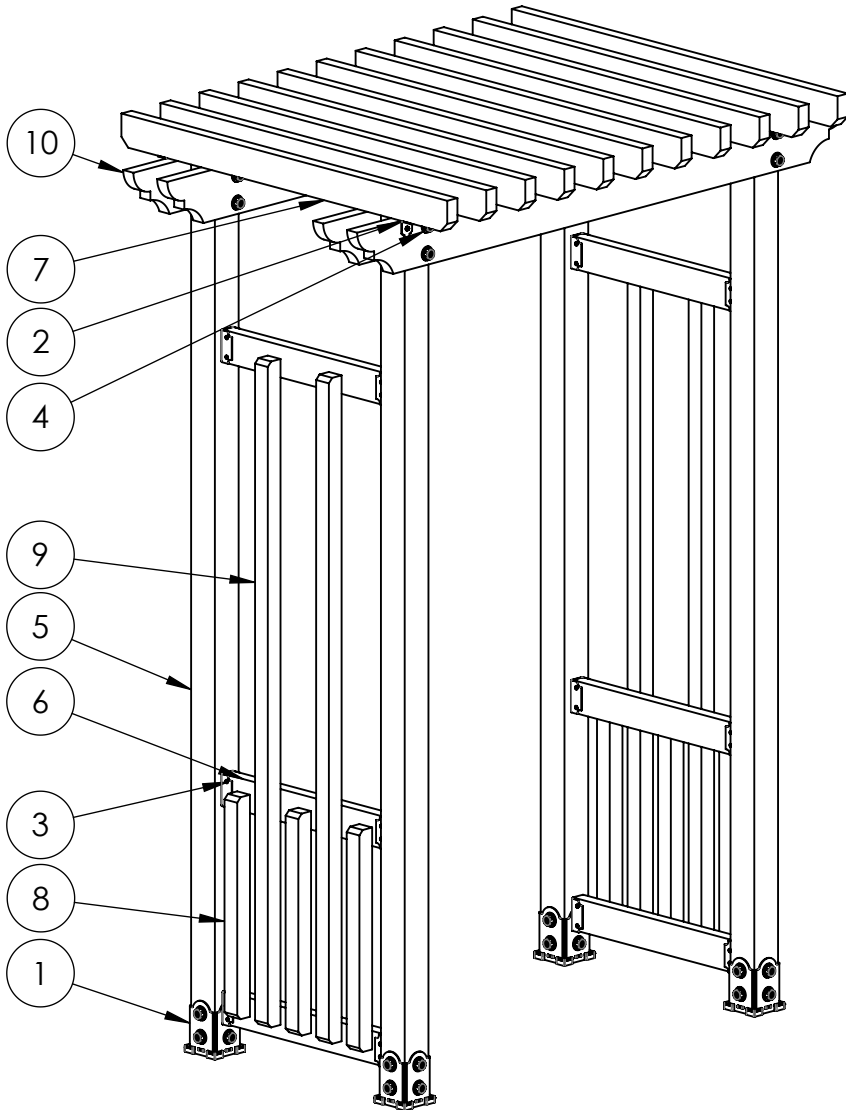
Project #347 Garden Arbor





Overview

Project 347 Garden Arbor



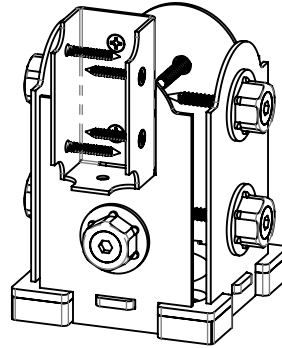
ITEM NO.	QTY.	PART NUMBER	DESCRIPTION
1	4	56631	Assembly, 4x4 Single Rail Saddle
2	3	56617	Assembly, 2" Rafter Clip
3	6	56641	Assembly, 2x4 Top Rail Saddle
4	4	56650	Assembly, OWT Timber Bolt 6-8"
5	4	4x4 Post	4x4x96"
6	6	2x4 Board	2x4x24" with .5" chamfer-both ends
7	11	2x4 Board	2x4x48" with 1" chamfer-both ends
8	6	2x2 Board	2x2x24" with .5" chamfer-both ends
9	4	2x2 Board	2x2x72" with .5" chamfer-both ends
10	4	2x6 Board	2x6x72" with decora cut-both ends

2x2 option:

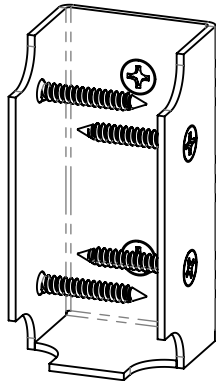
- add (11) 2x2 boards; 6' long with .5" chamfers on each end

Bill of Material

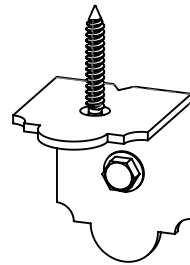
Project 347 Garden Arbor



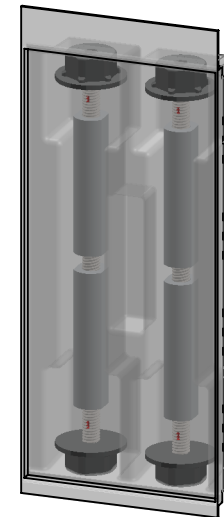
56631



56641
(2 pack)

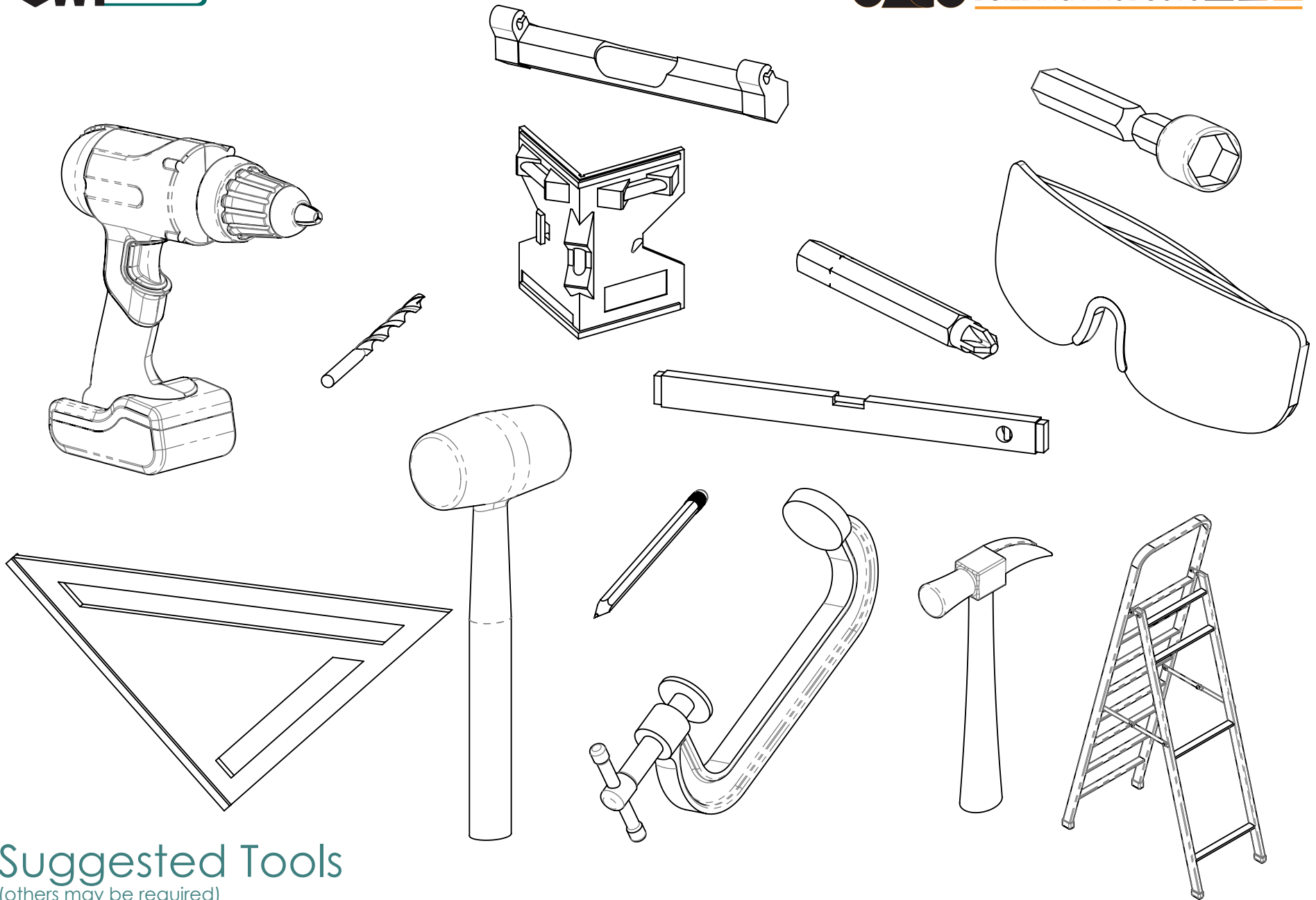


56617
(10 pack)



56650
(2 pack)

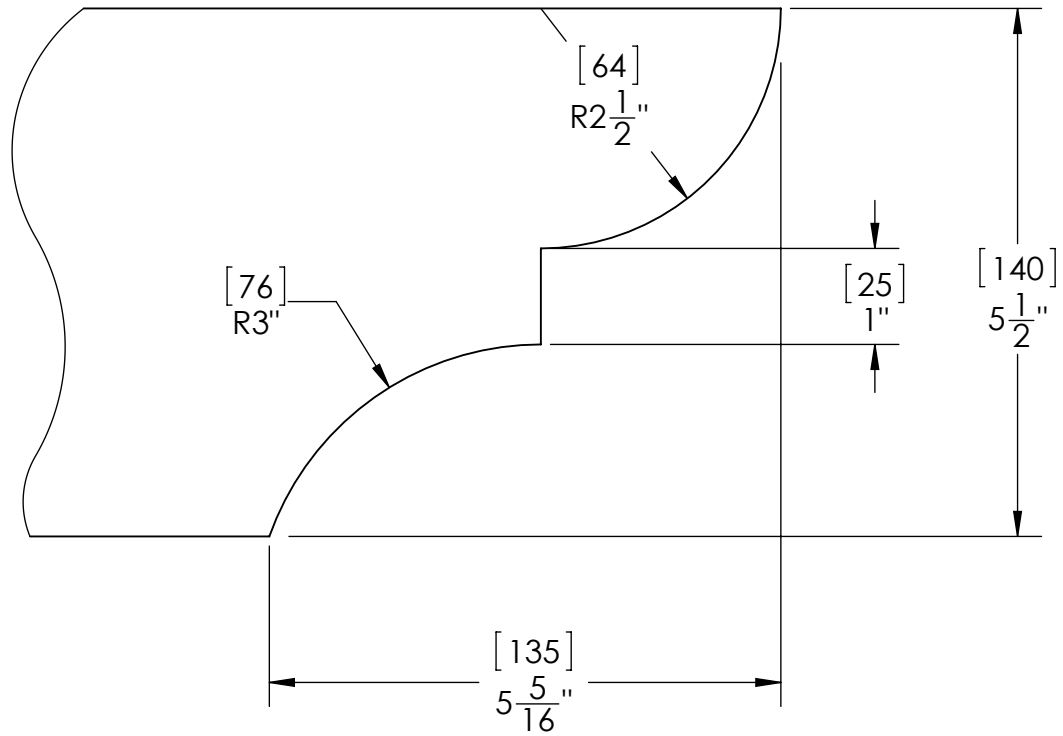




Suggested Tools

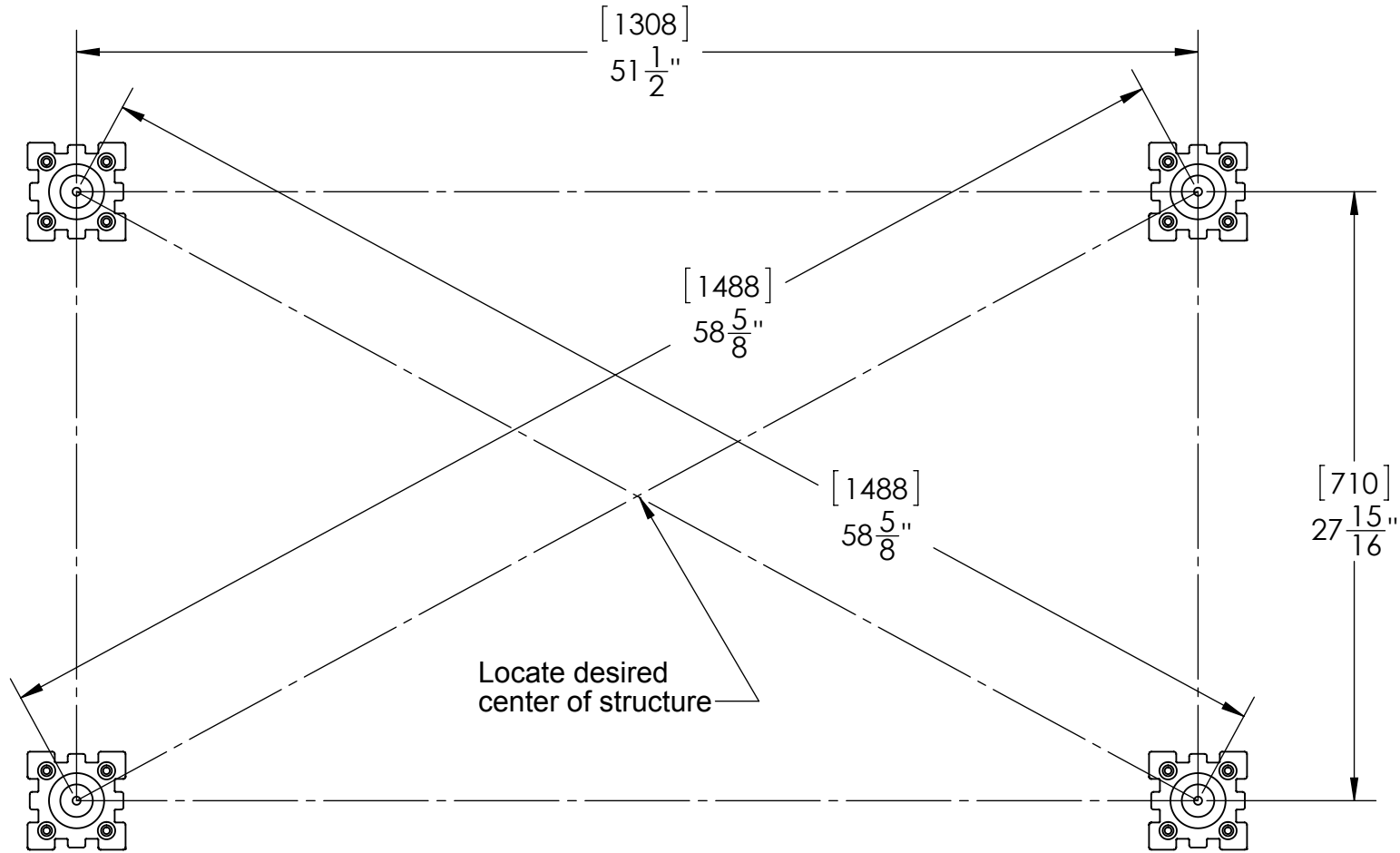
(others may be required)

Project 347 Garden Arbor



Template
scale: 1:2
print 2x

Project 347 Garden Arbor

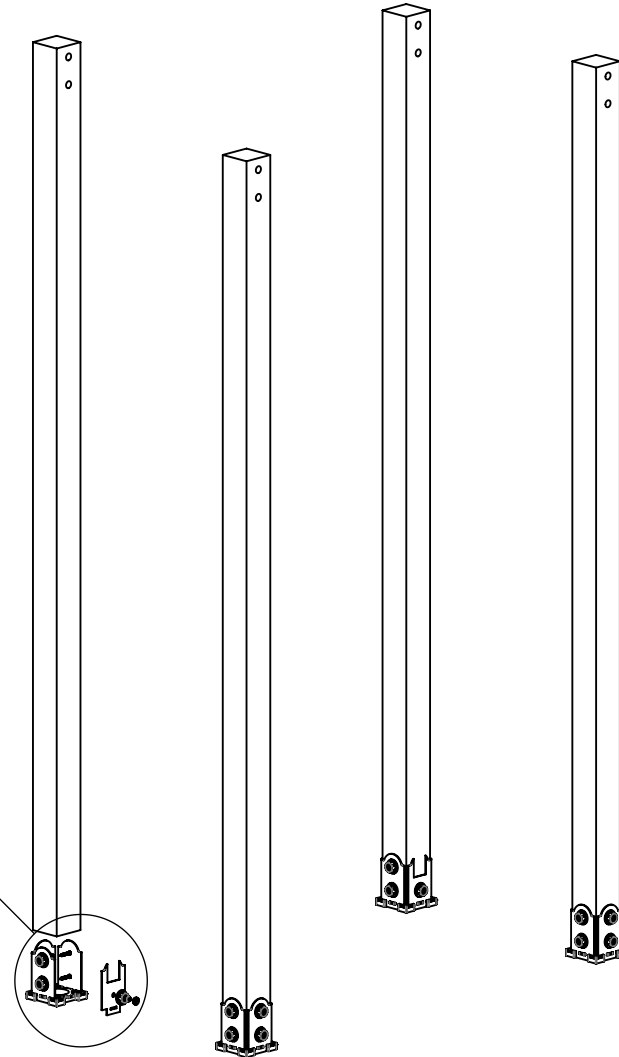
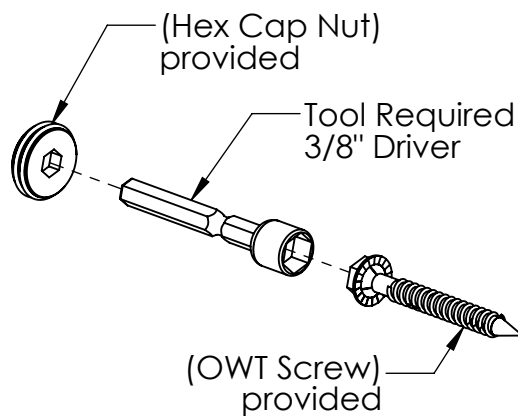
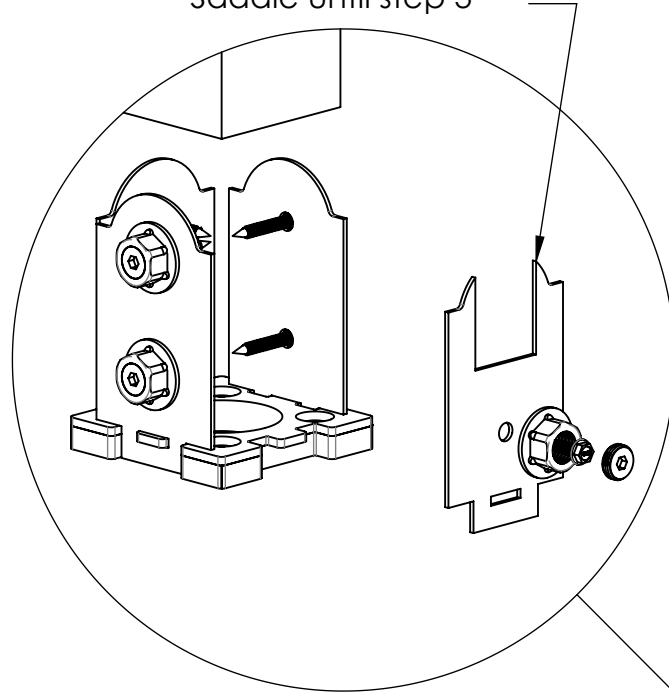


if site is not level,
see Ozco Site Leveling instruction

site plan

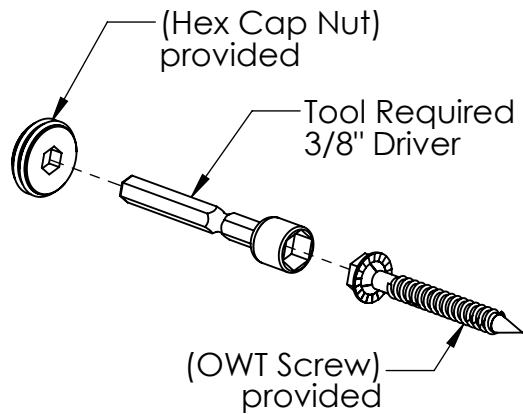
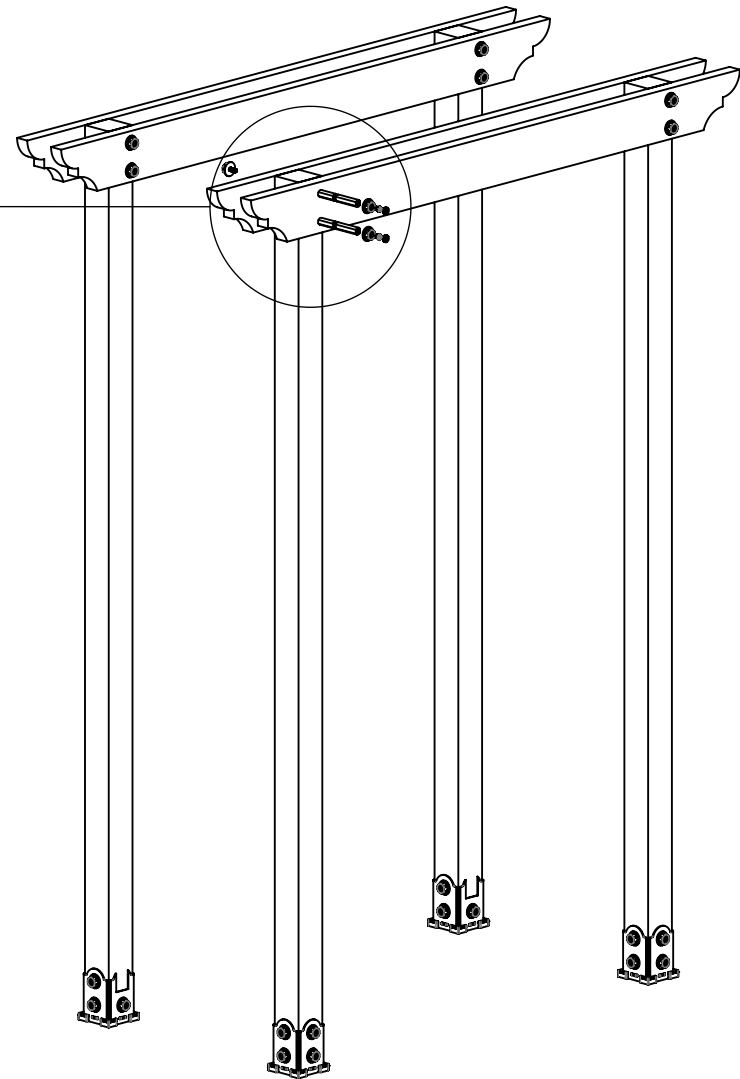
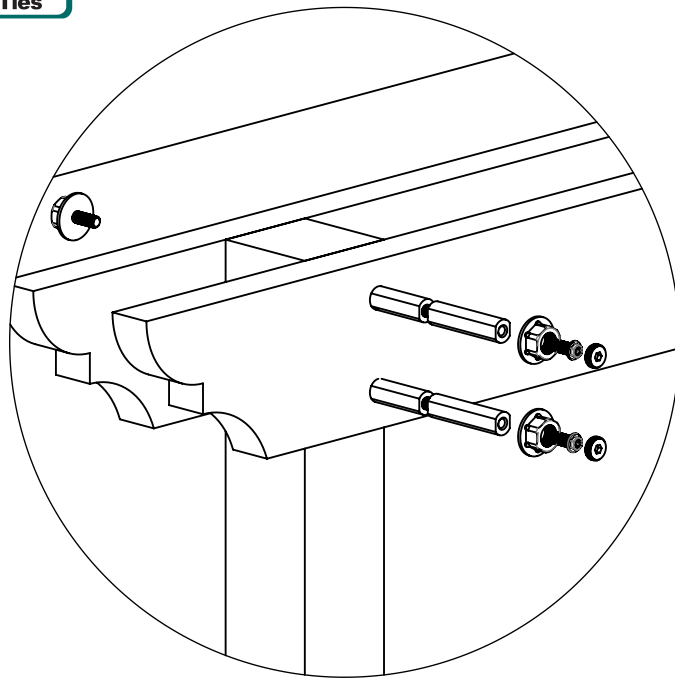
Project 347 Garden Arbor

note orientation shown without Rail Saddle until step 3



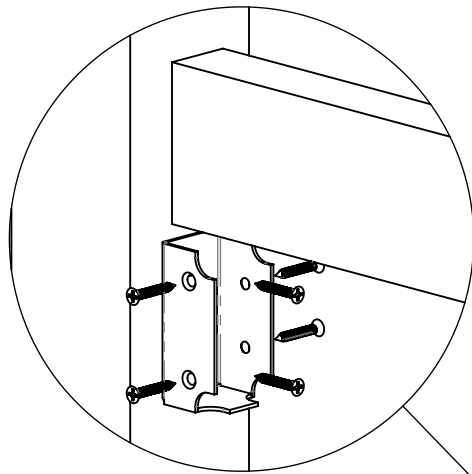
step 1

Project 347 Garden Arbor

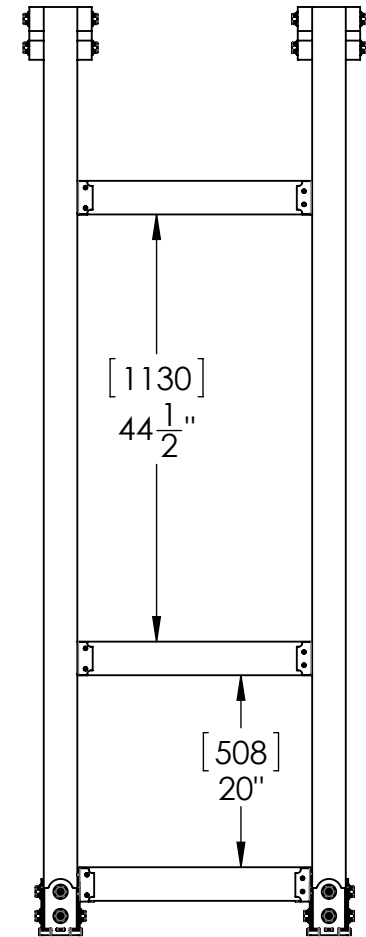
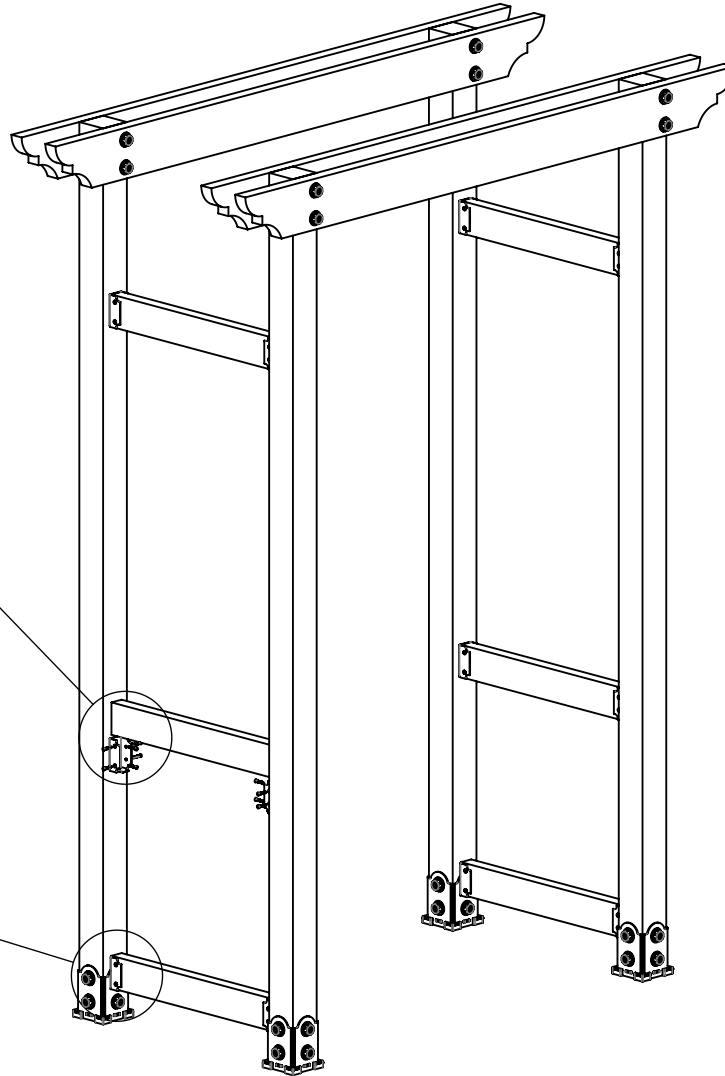
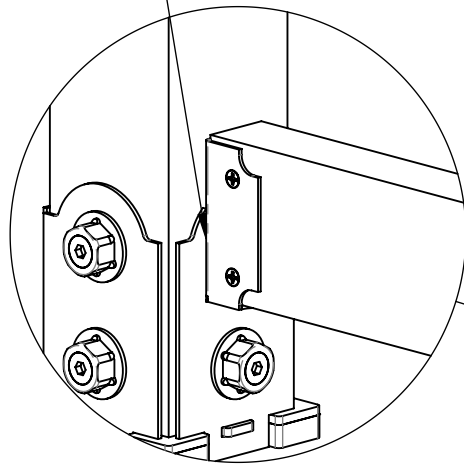


step 2

Project 347 Garden Arbor

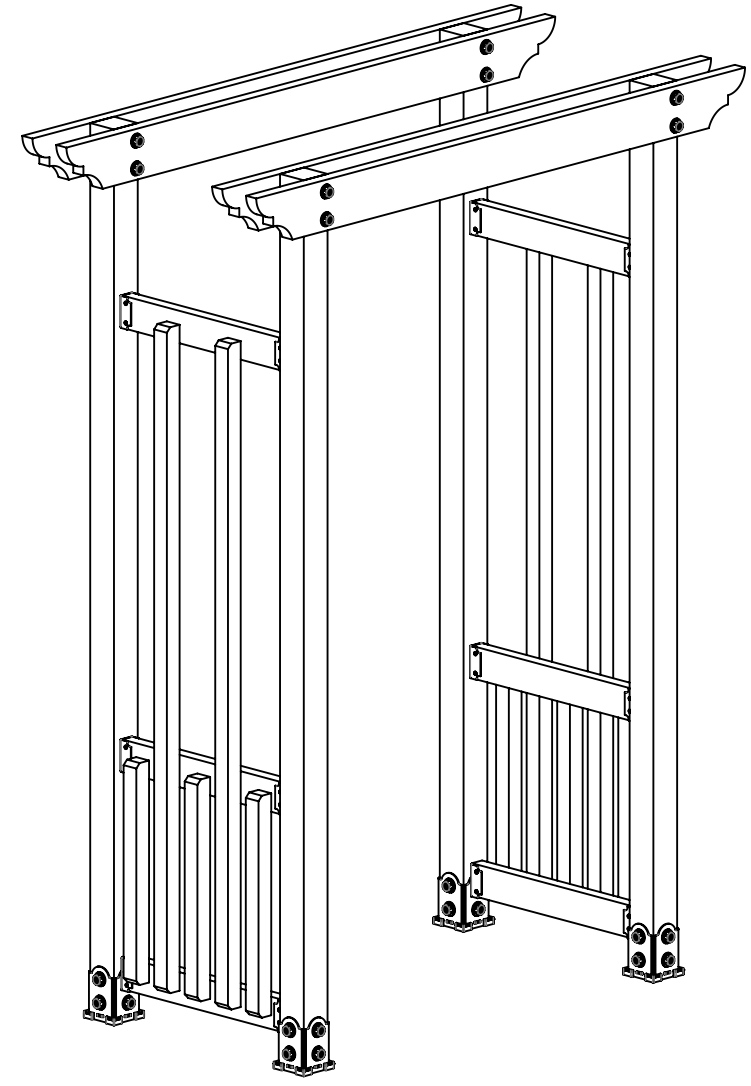
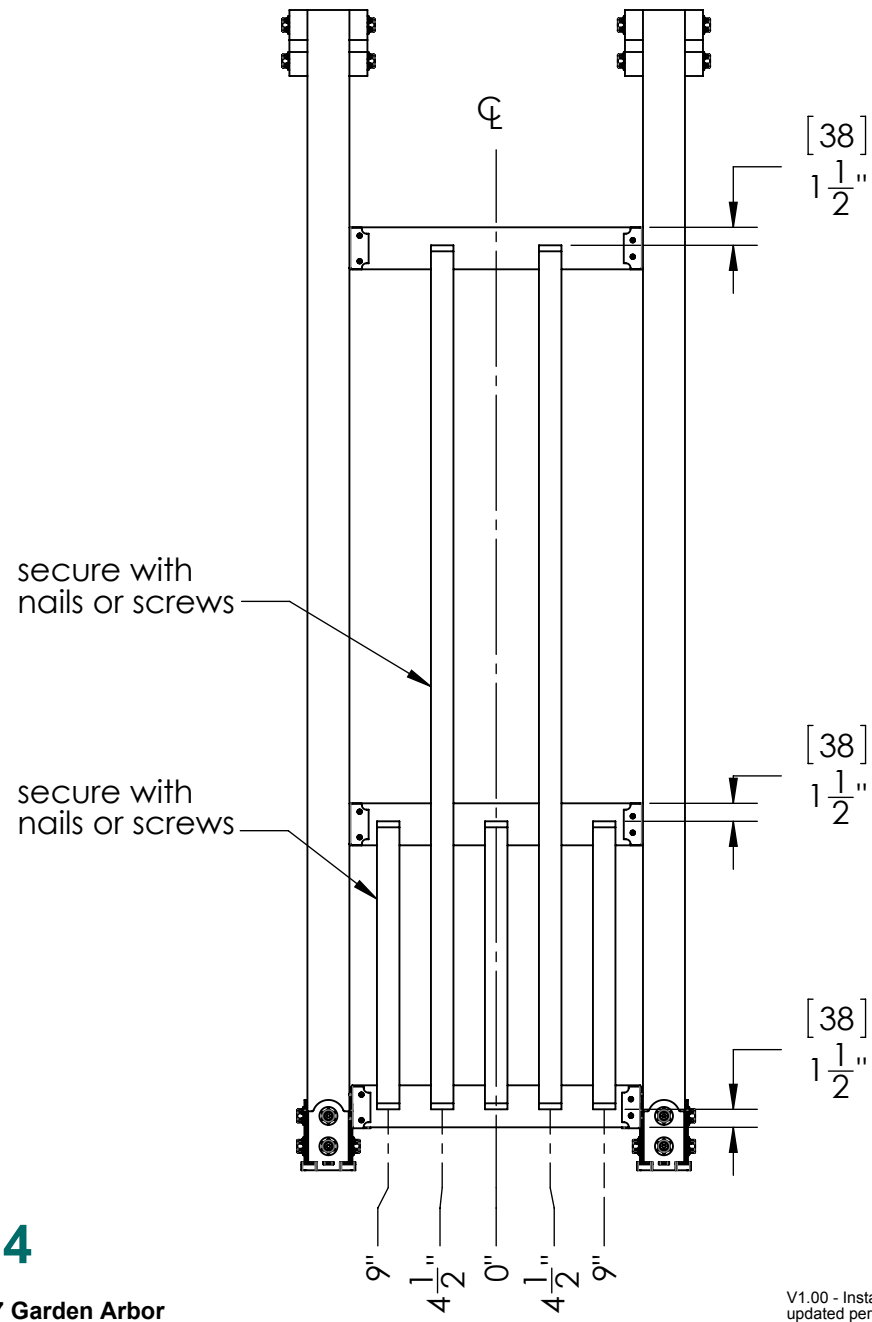


position Rail Saddle in slot



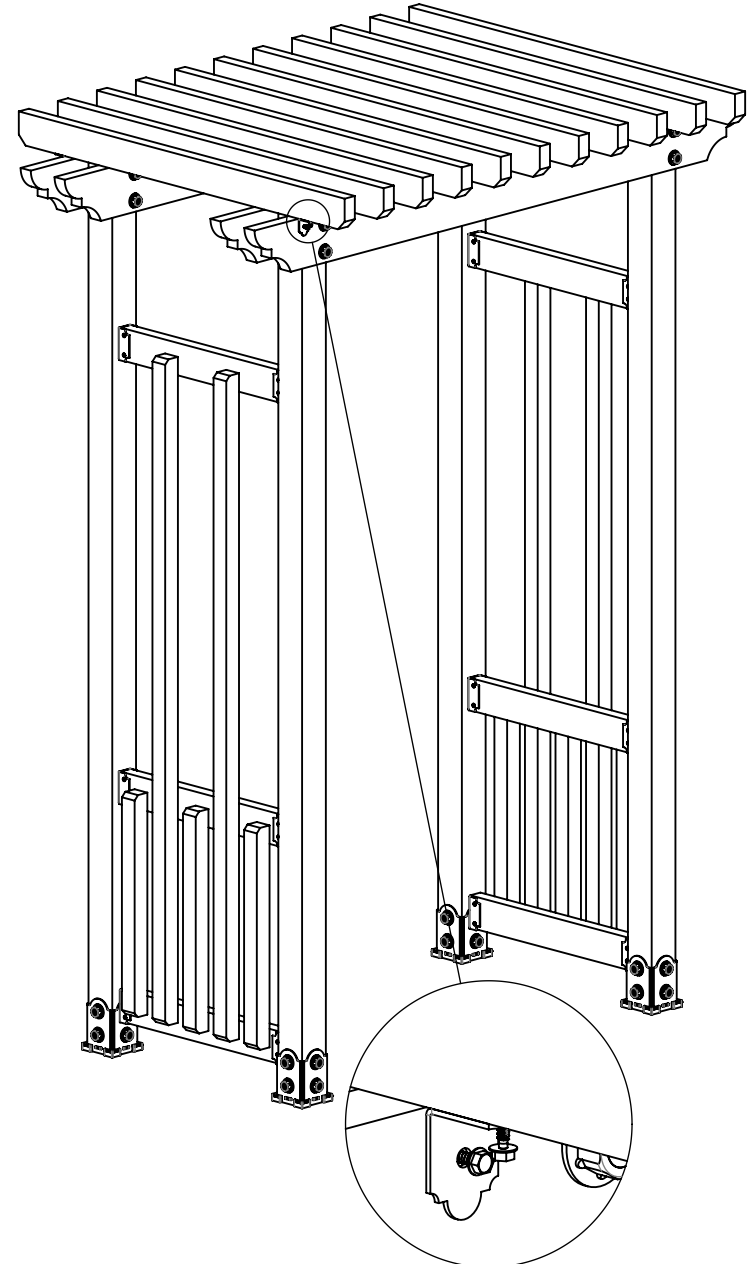
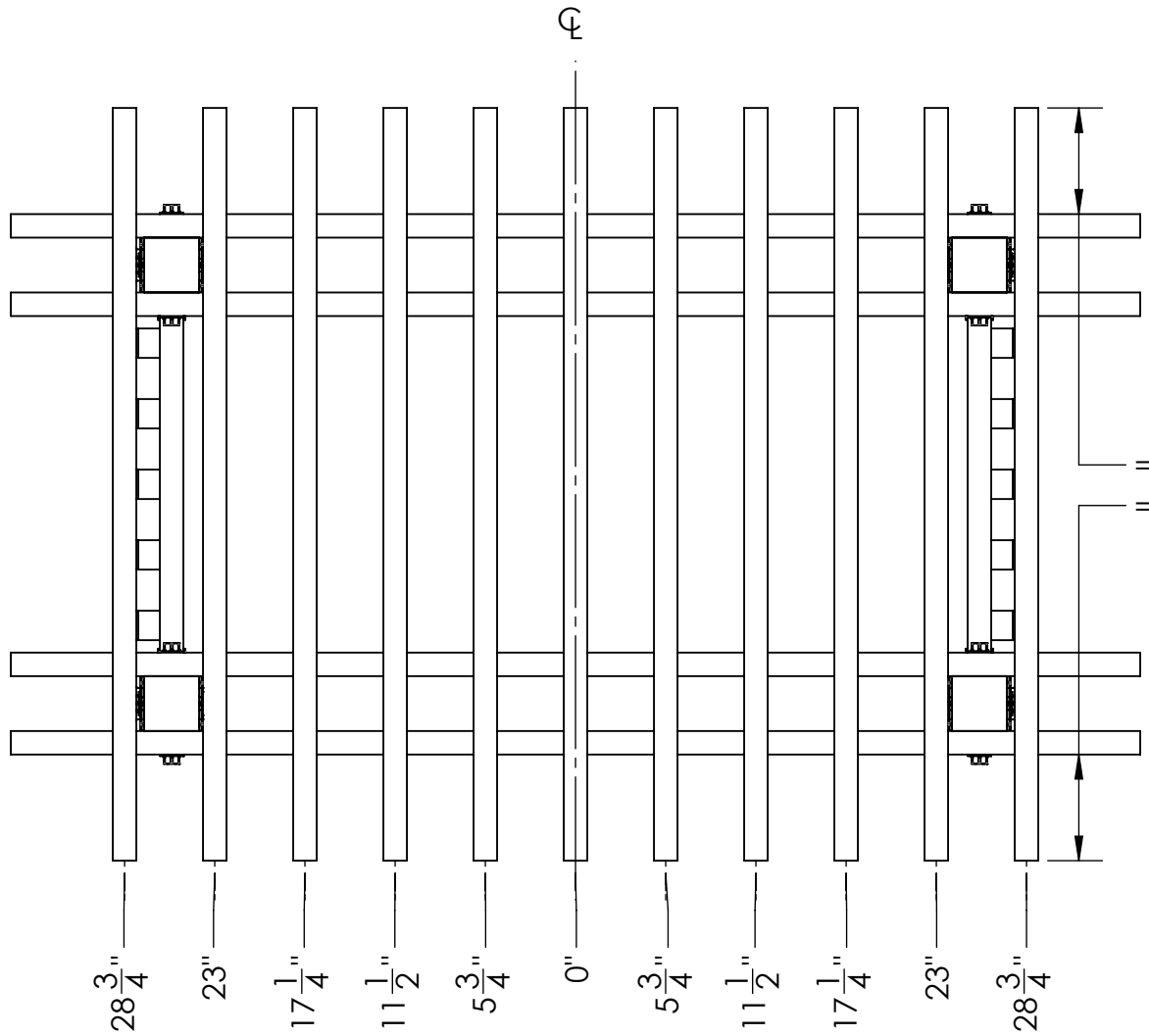
step 3

Project 347 Garden Arbor



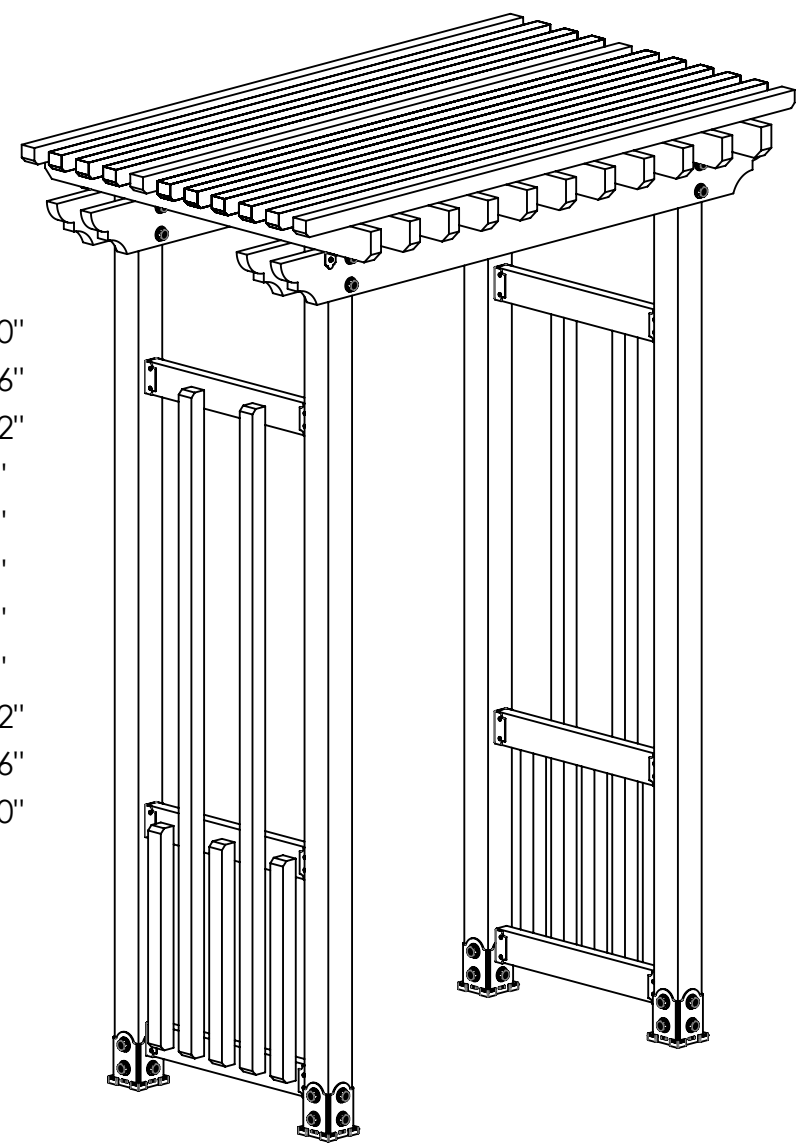
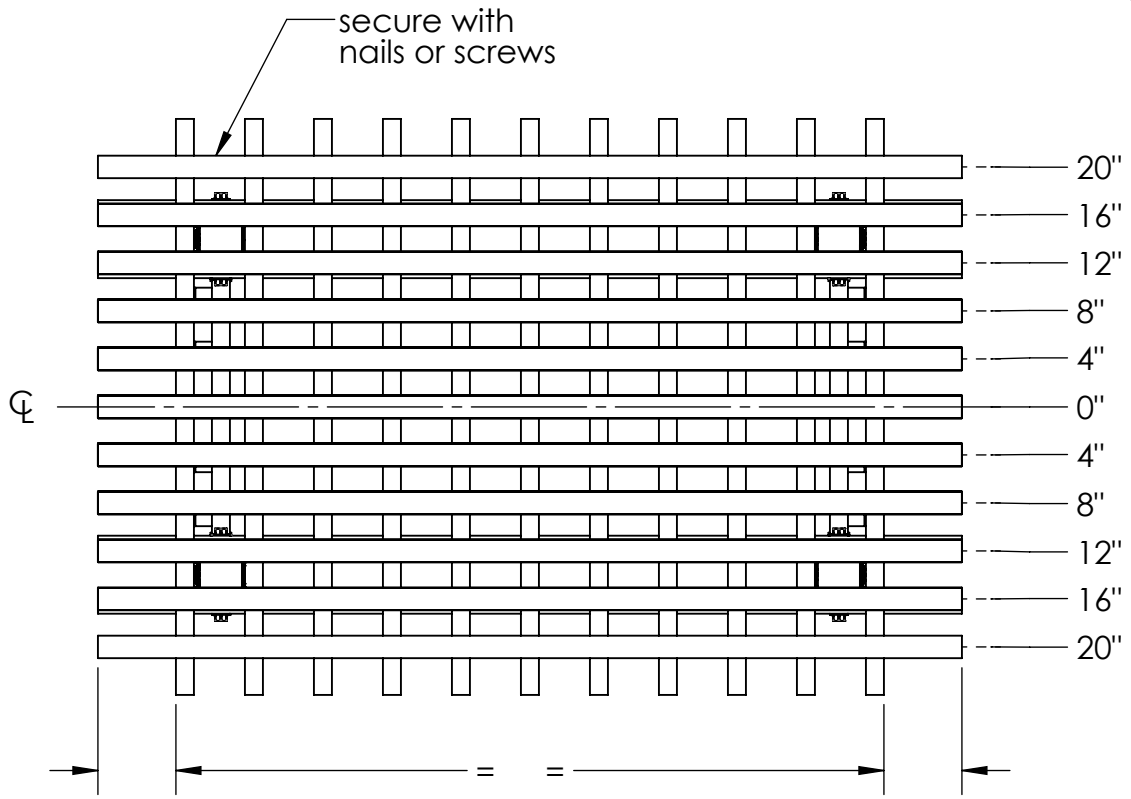
step 4

Project 347 Garden Arbor



step 5

Project 347 Garden Arbor



2x2 option

Project 347 Garden Arbor