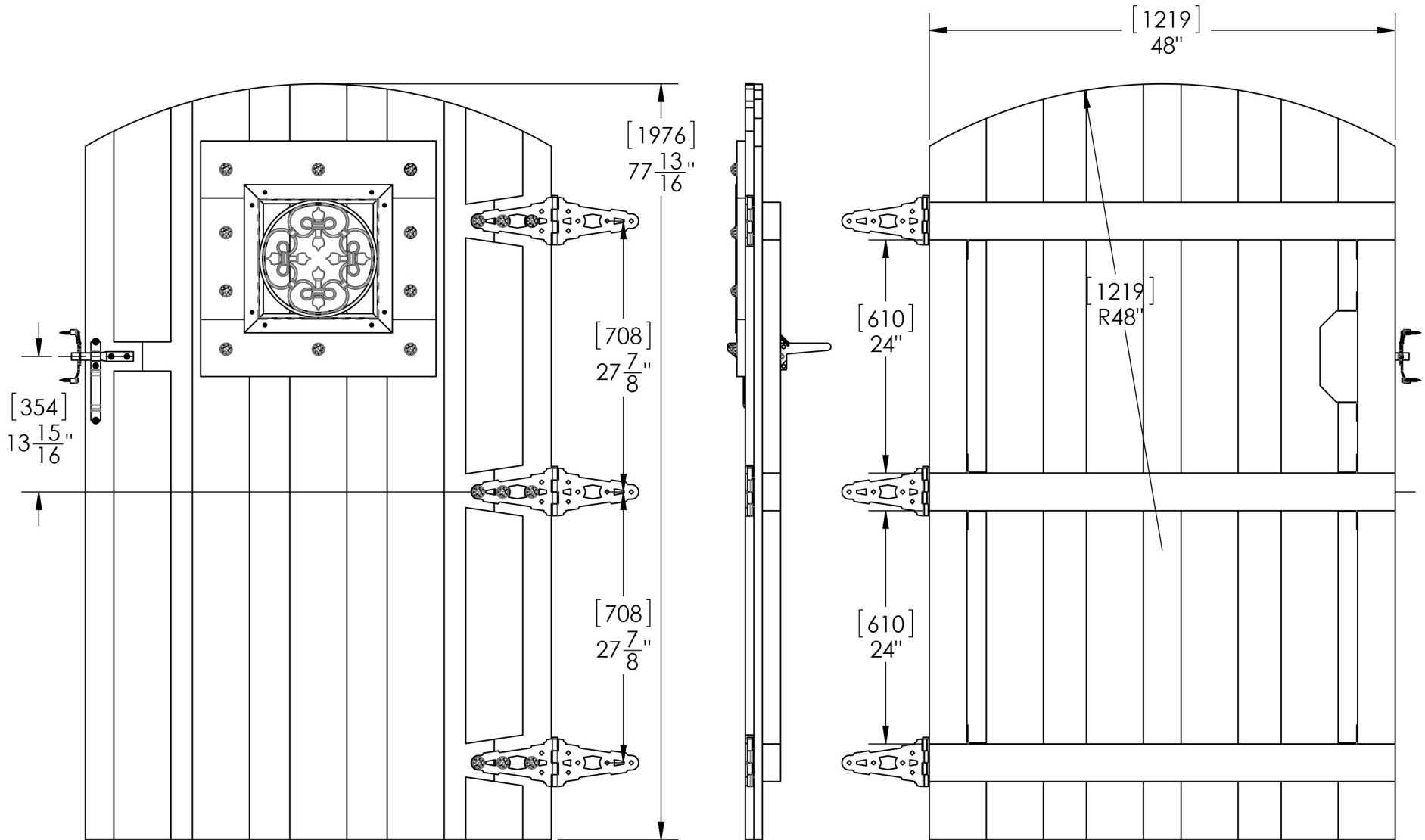


Cedar Board on Board Gate with Ornamental Hardware and Strap Hinges Project #412

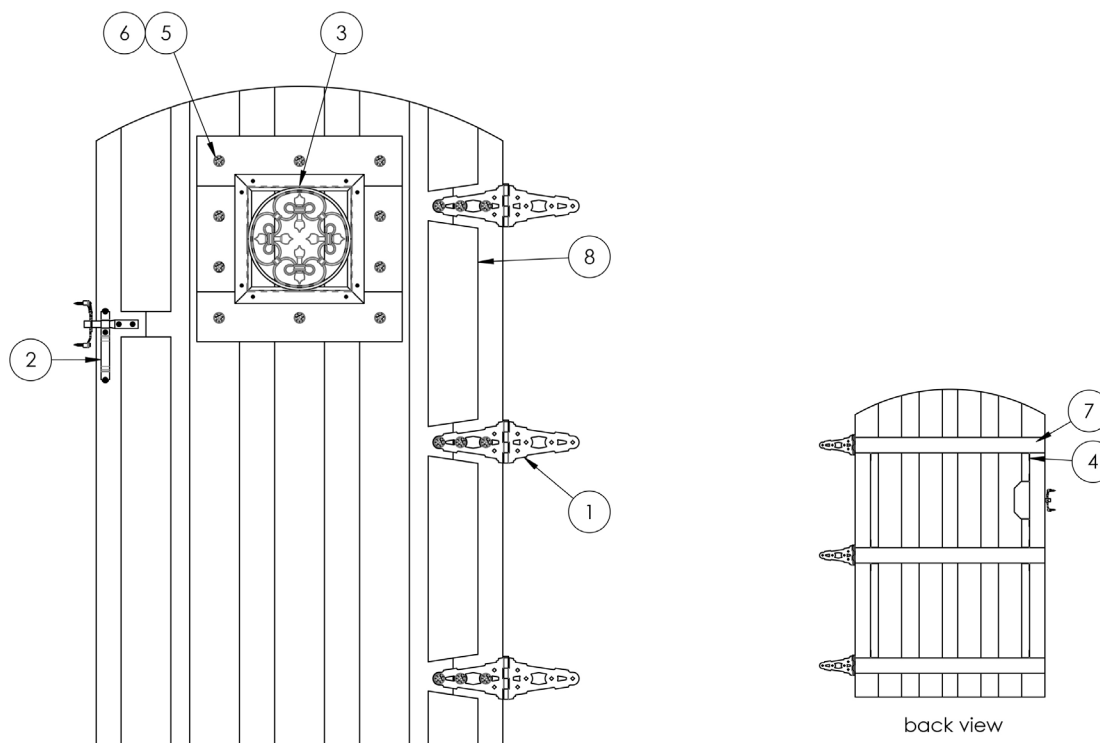


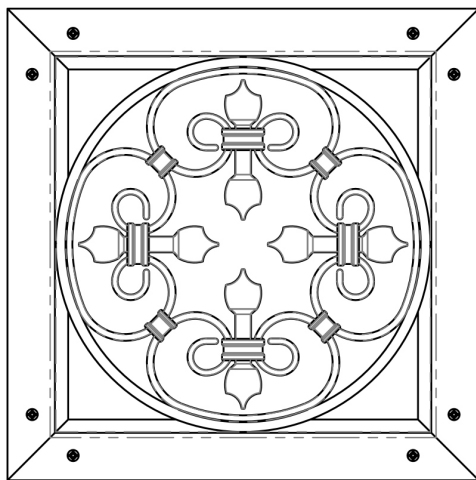
Overview



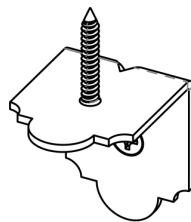
Bill of Materials

ITEM NO.	QTY.	PART NUMBER	DESCRIPTION
1	3	56654	Assembly, Strap Hinge
2	1	56656	Assembly, Standard Latch
3	1	56658	Assembly, 15-1/4"X 15 1/4" Scroll Accent
4	10	56617	Assembly, 2" Rafter Clip
5	10	56622	Assembly, 1-11/4" Hammered Dome Cap Nut
6	1	56625	OWT Timber Screw 1-3/4" (45 mm)
7	2	N/A	2x4 Cedar Board, See Cutlist
8	12	N/A	1x6 Cedar Board, See Cutlist
9		N/A	Nails or Screws

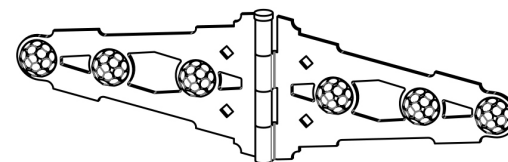




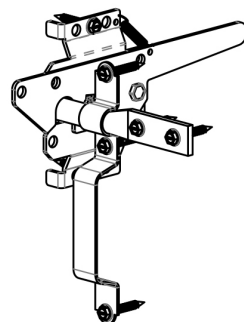
56658
(Star can be rotated as
desired with set screw
adjustment)



56617
(10 pack)



56653



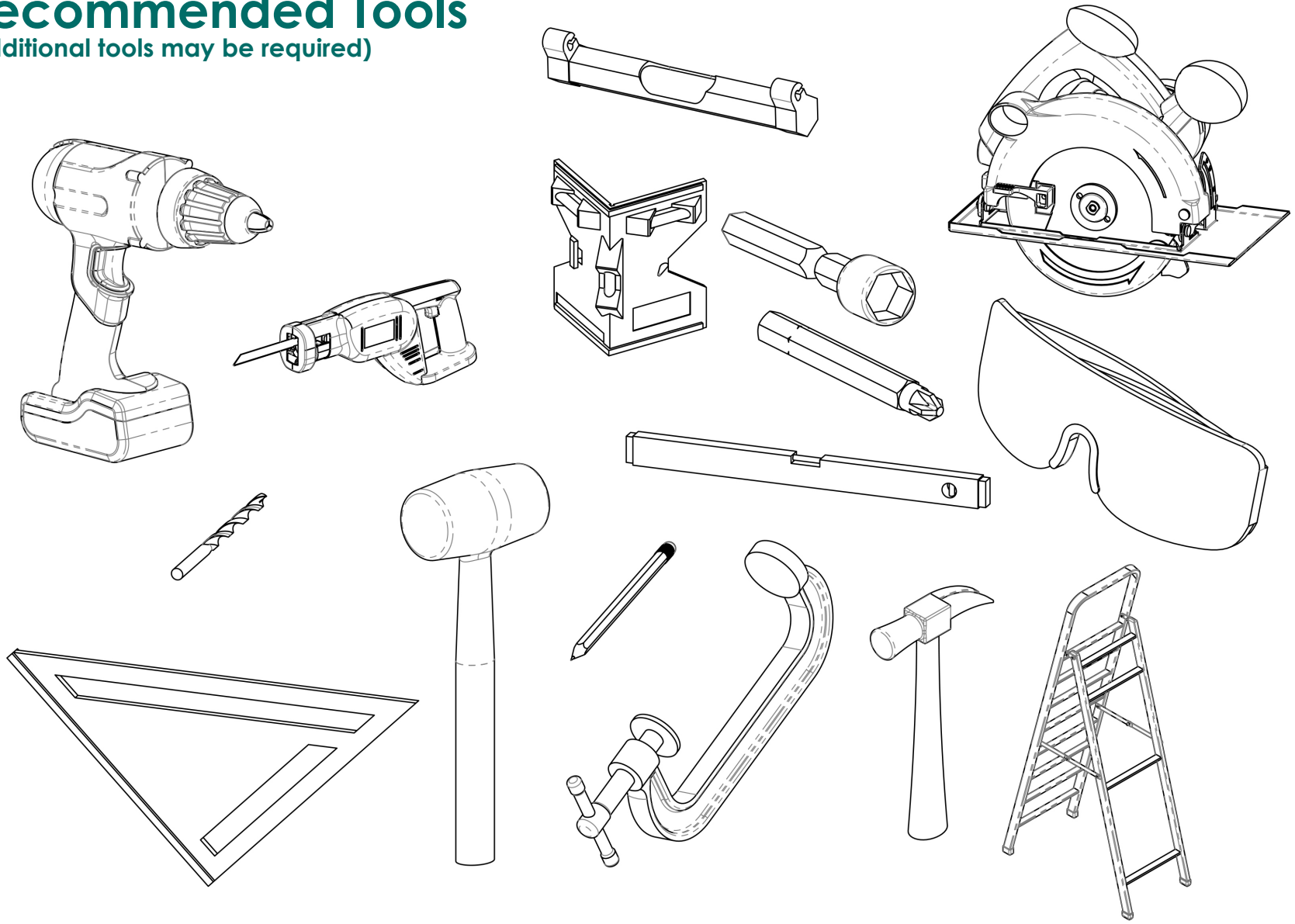
56656
(latch is multi-configurable)



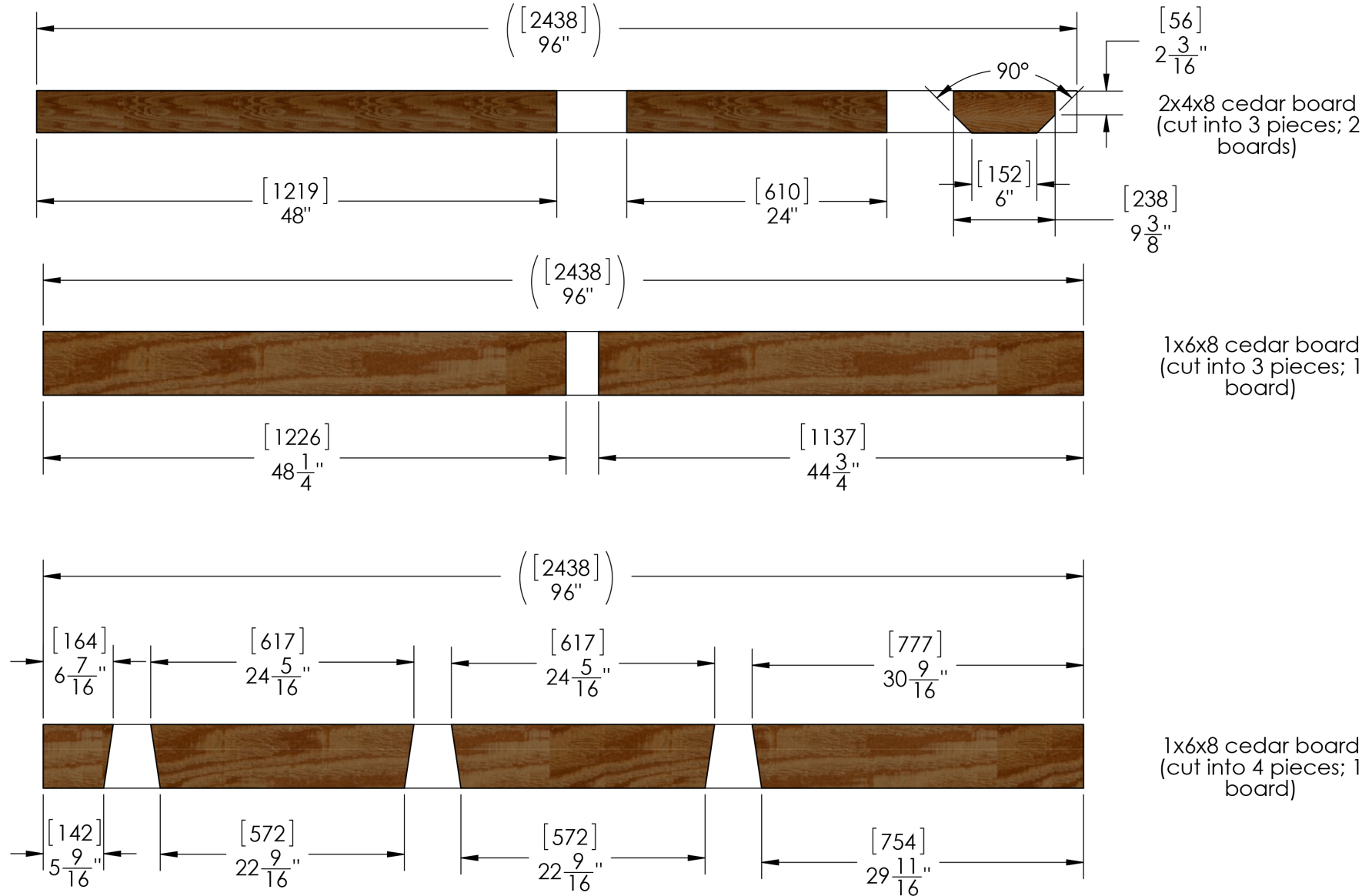
Visit Website using QR code

Recommended Tools

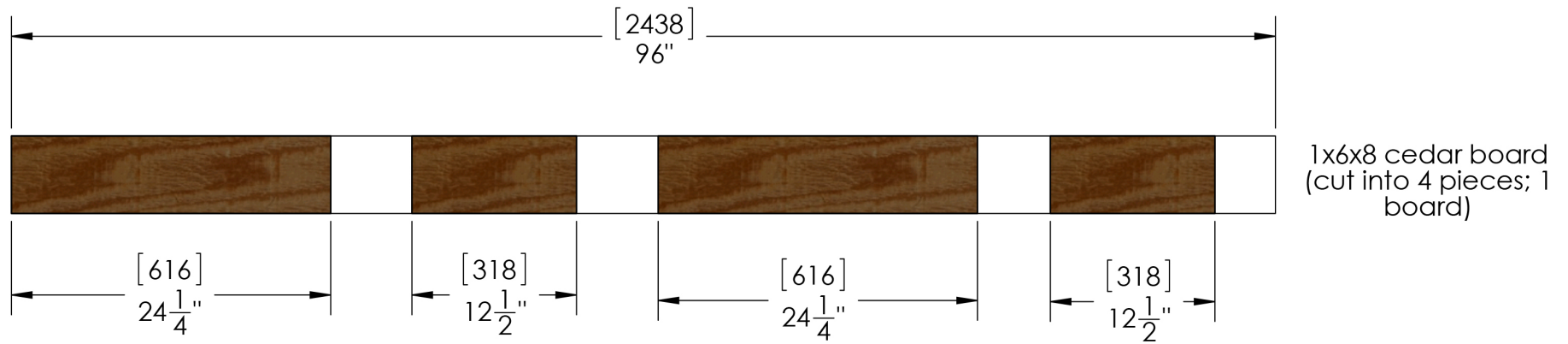
(additional tools may be required)



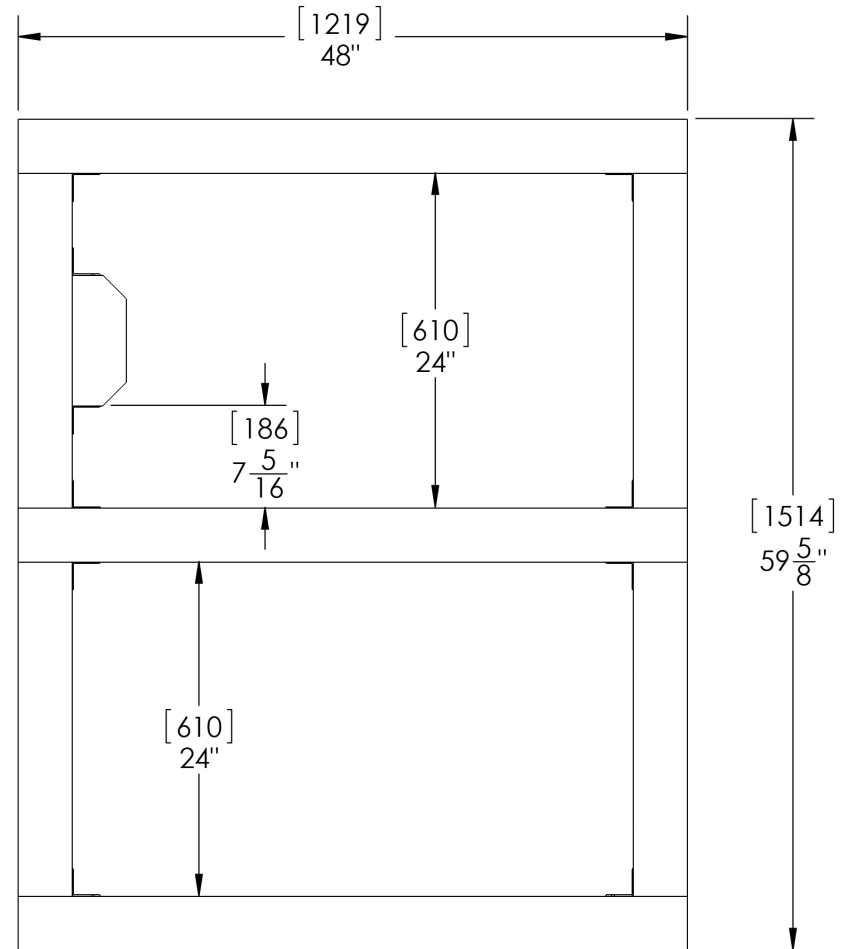
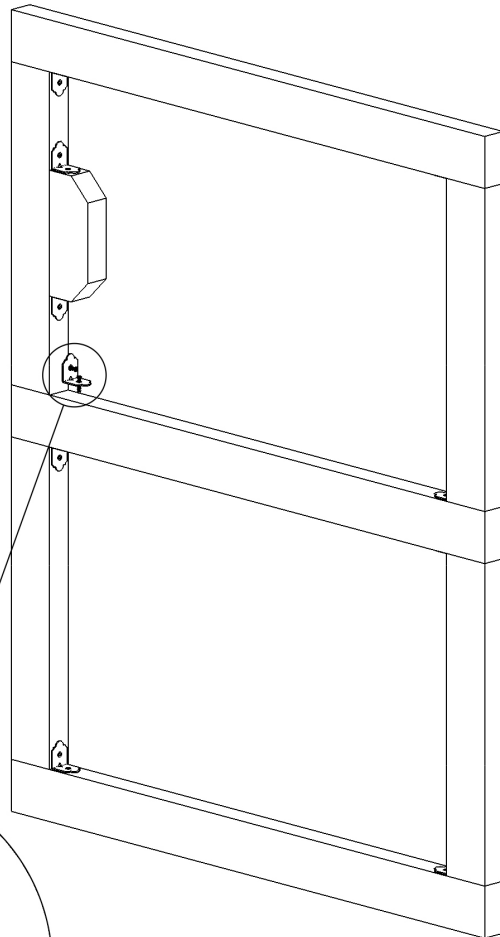
Cut List



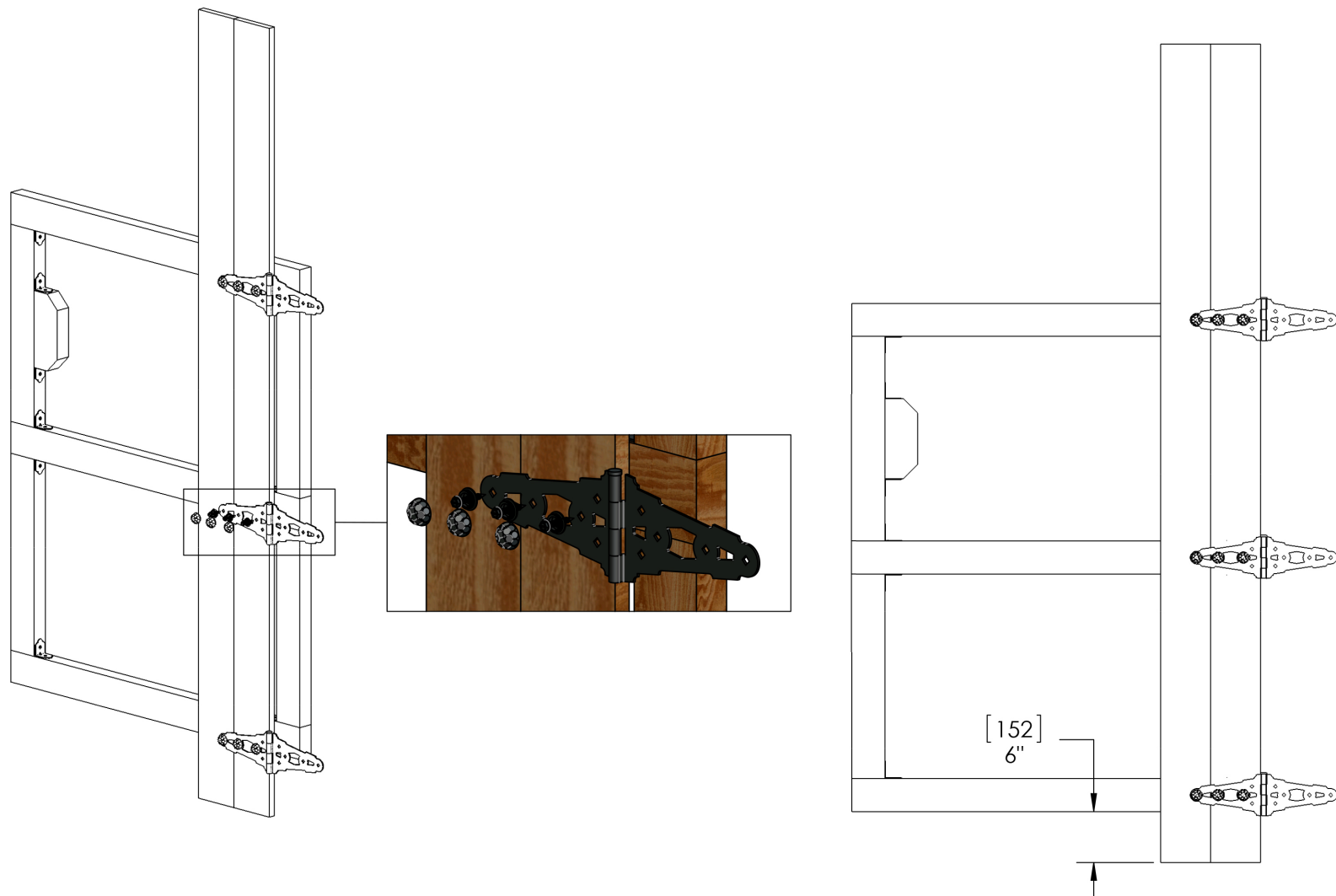
Cut List



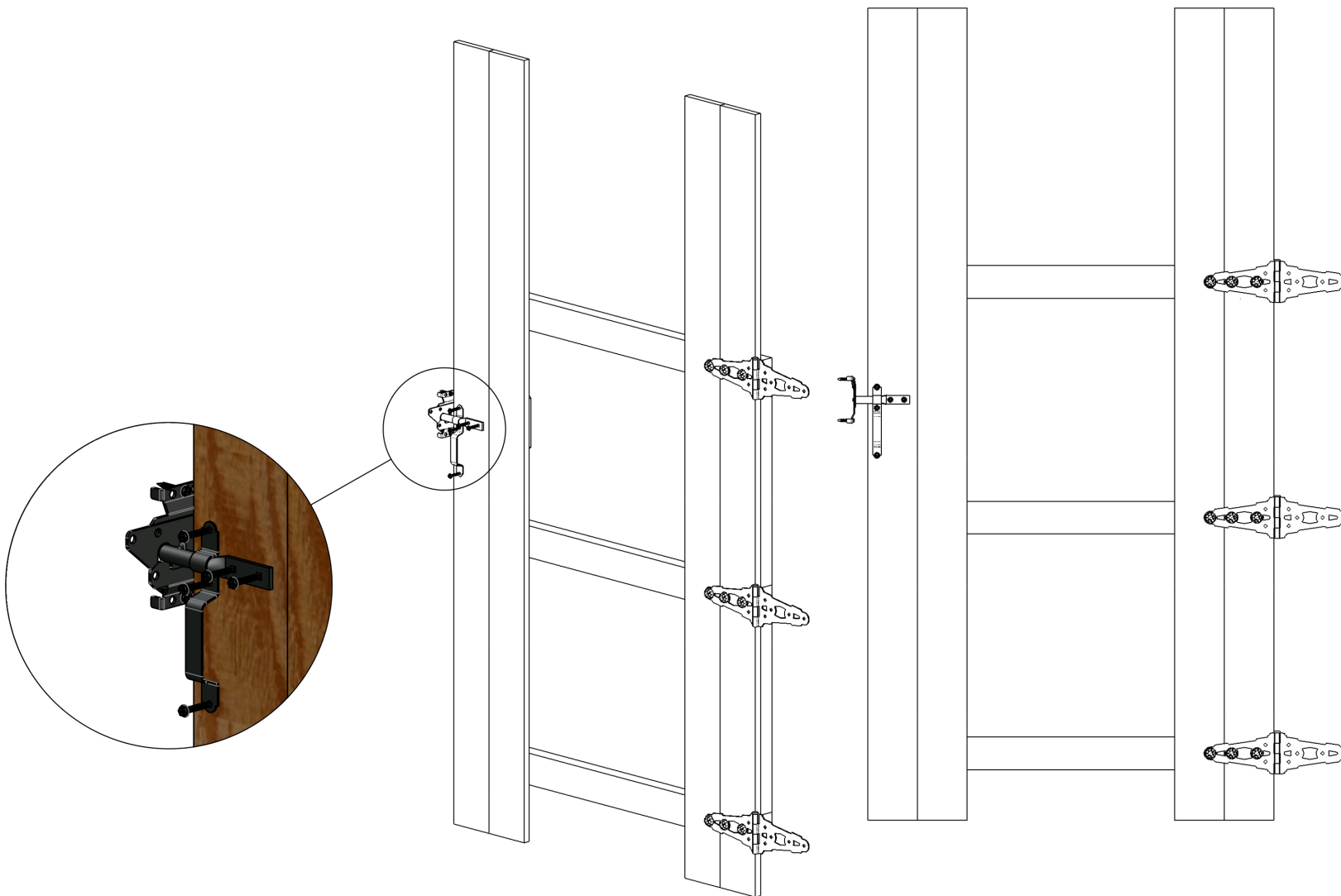
Step 1



Step 2

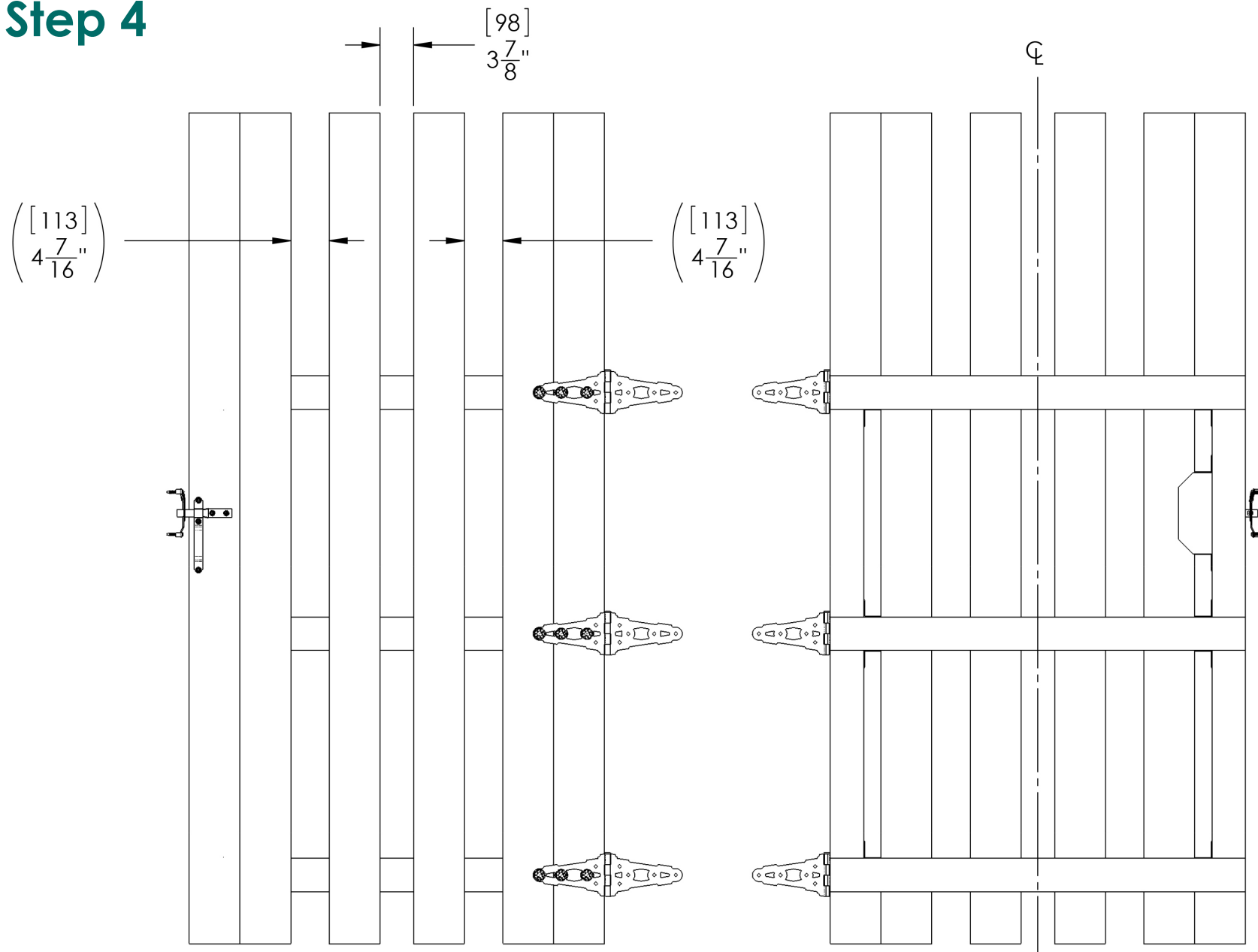


Step 3

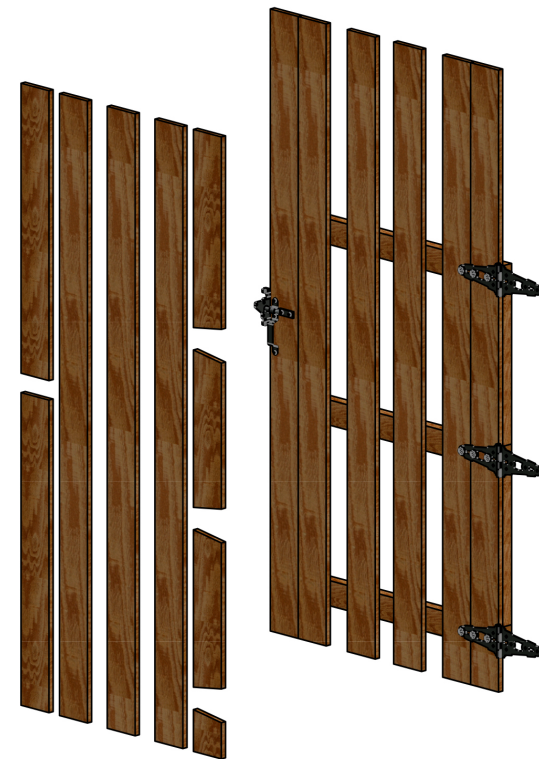
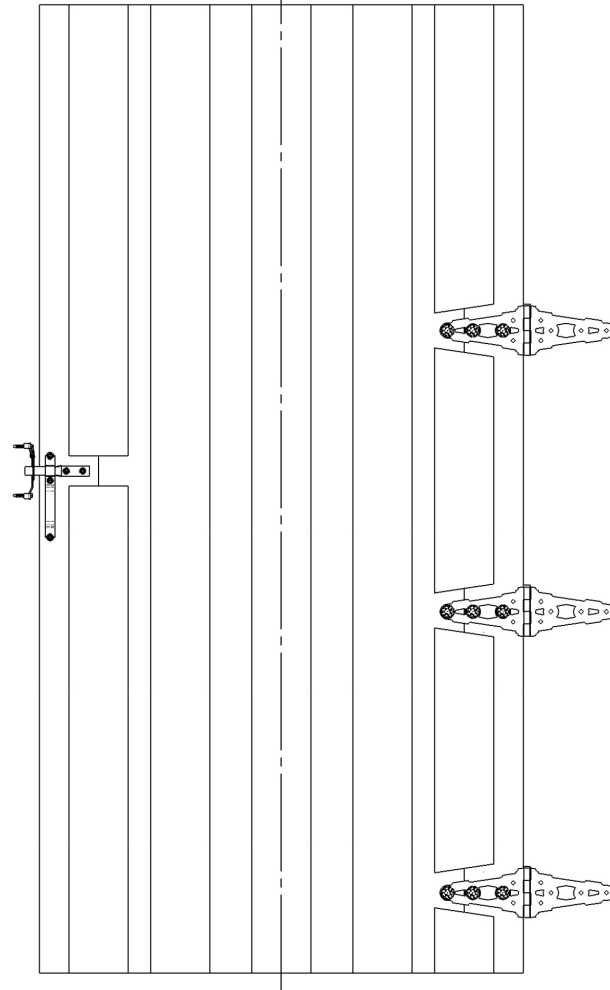
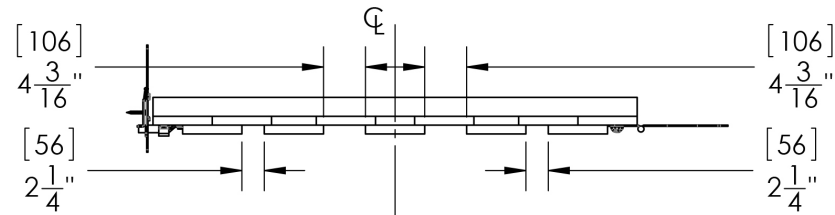


(Mount gate on fence, then perform step 3)

Step 4

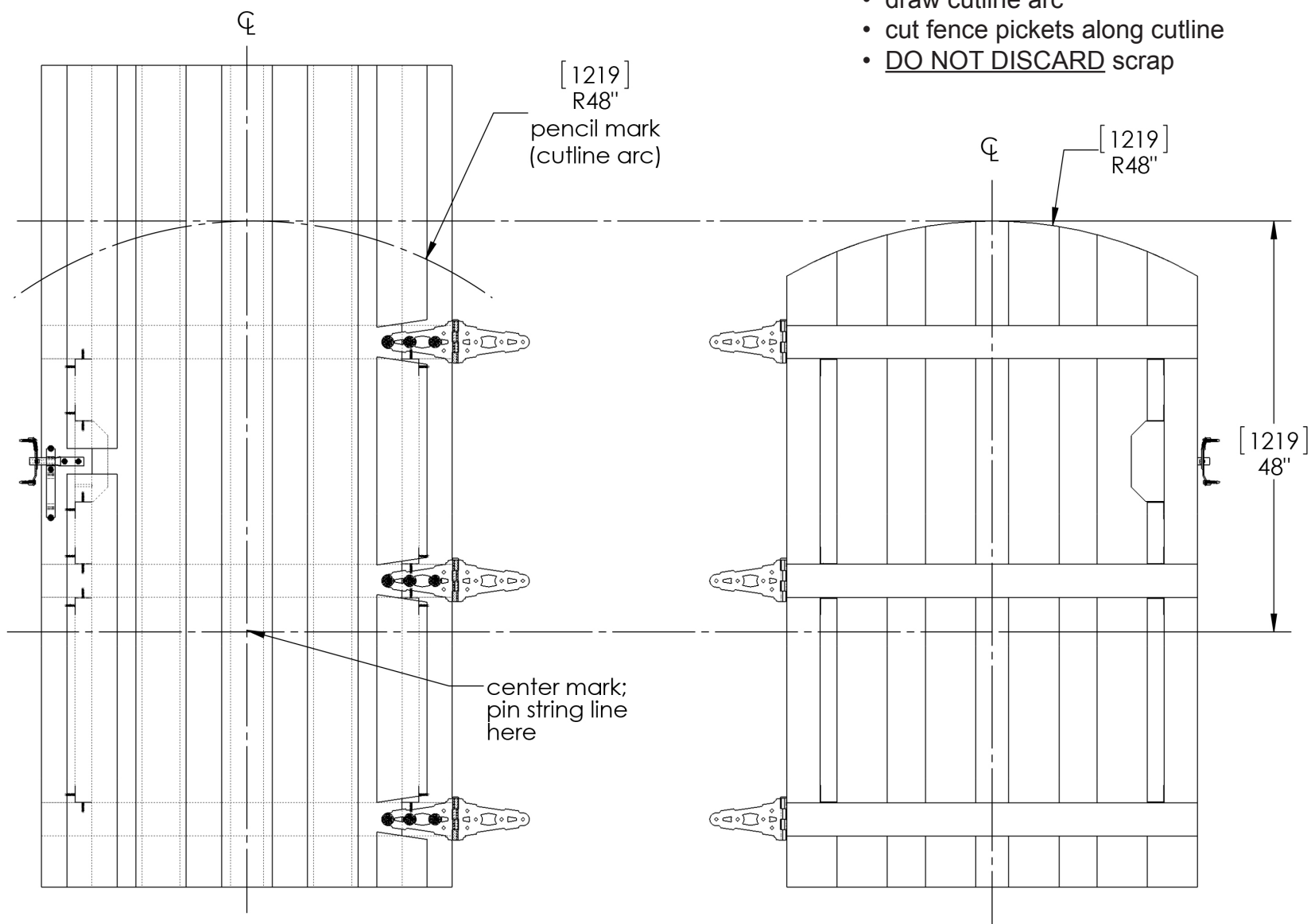


Step 5

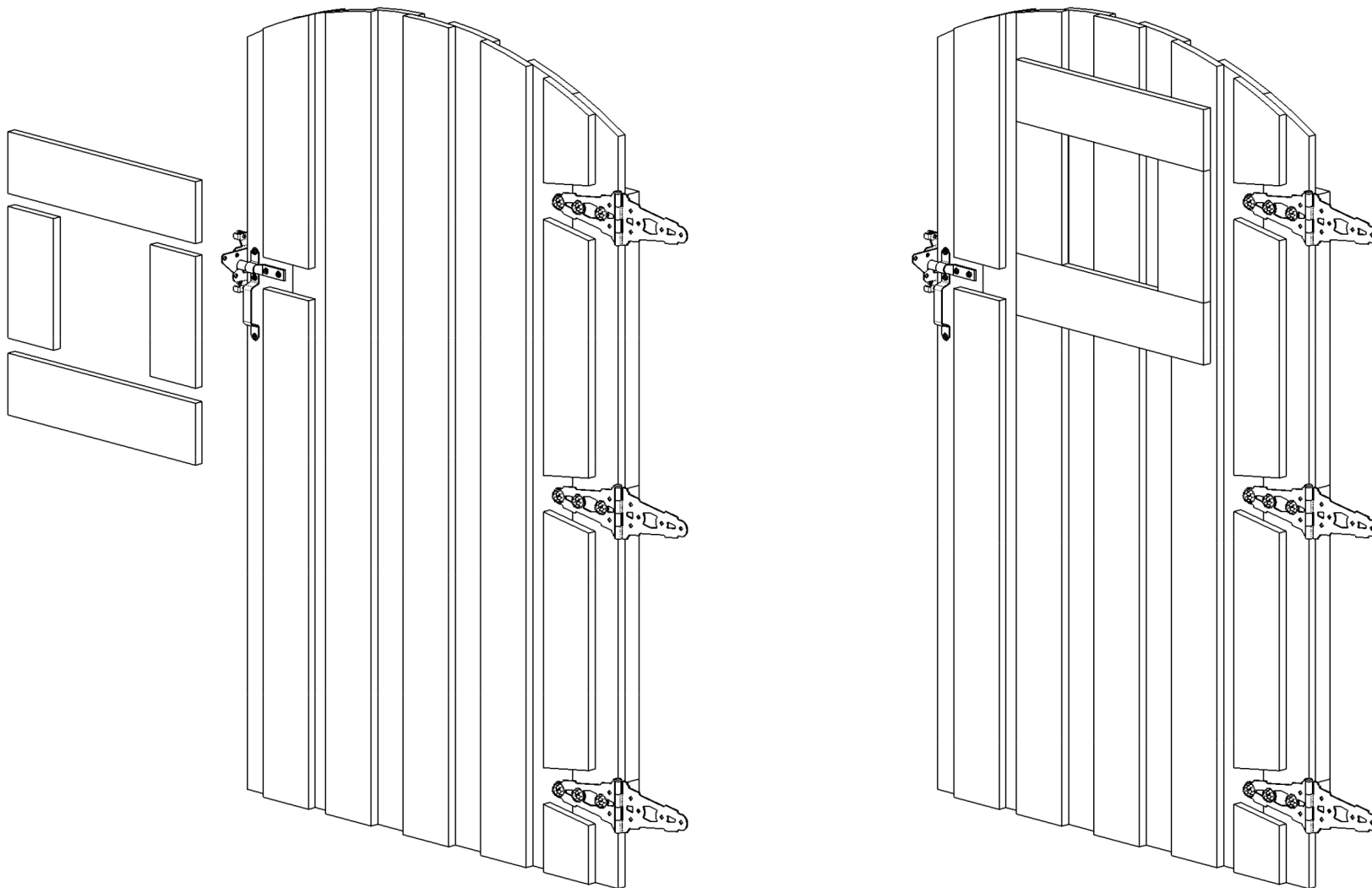


Step 6

- tie string line to pencil
- pin end of string line to center mark
- draw cutline arc
- cut fence pickets along cutline
- DO NOT DISCARD scrap

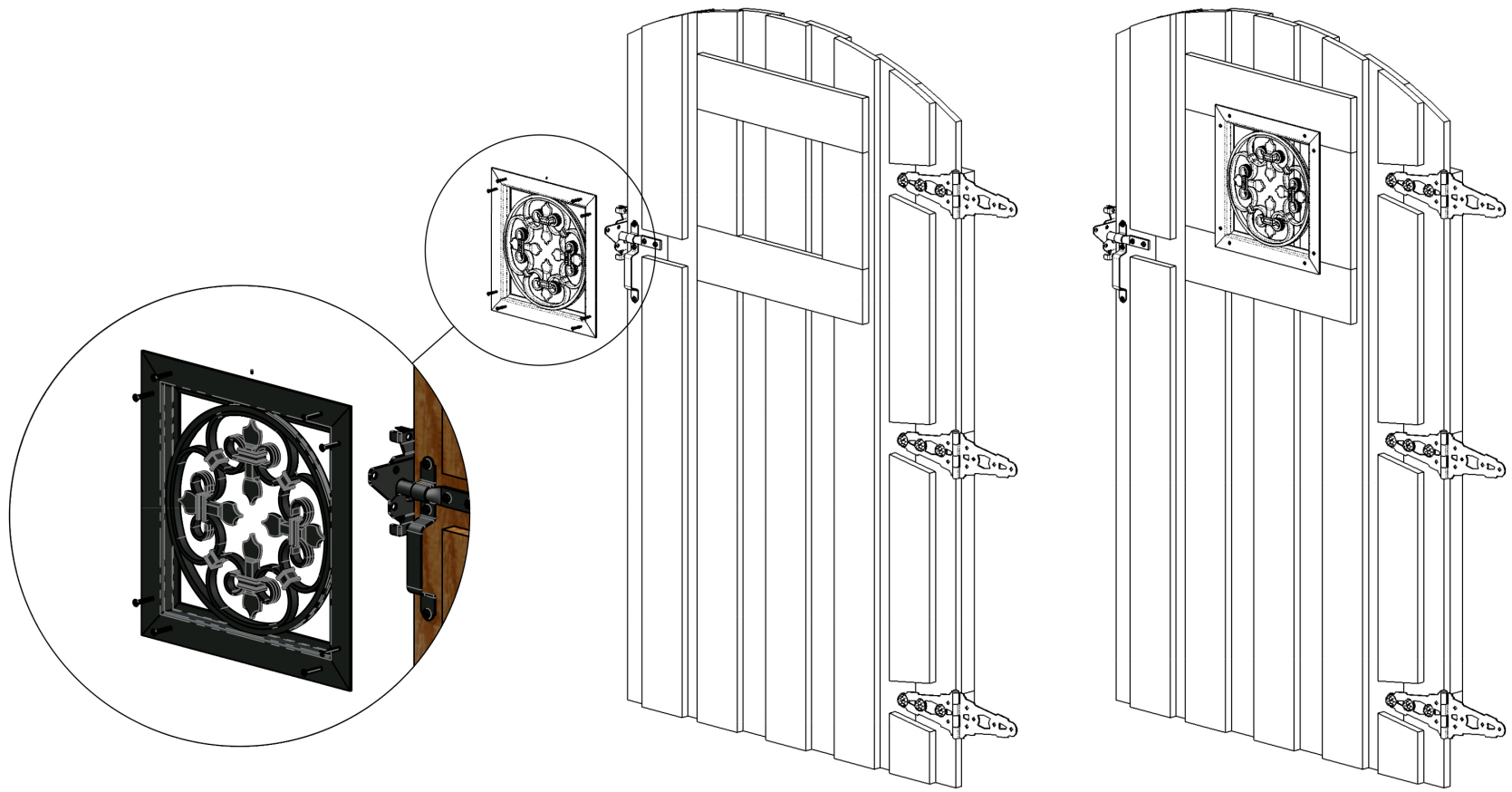


Step 7



- add shadow box as desired for ornamental insert

Step 8



Step 9

