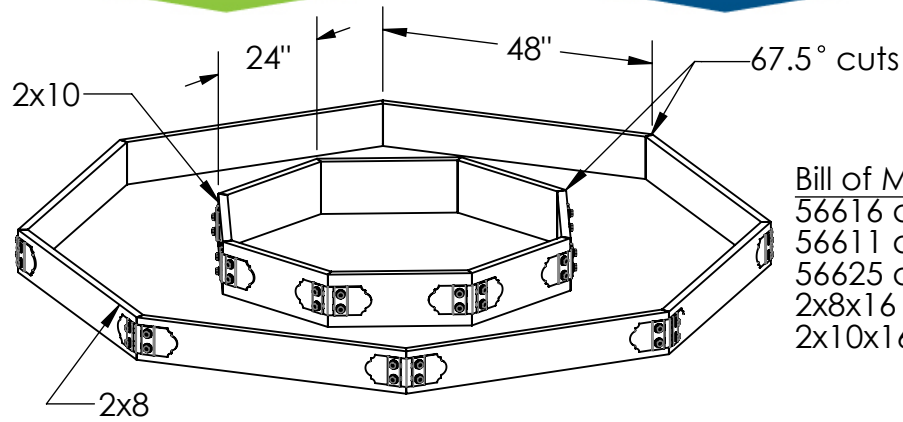


DESIGN

PURCHASE

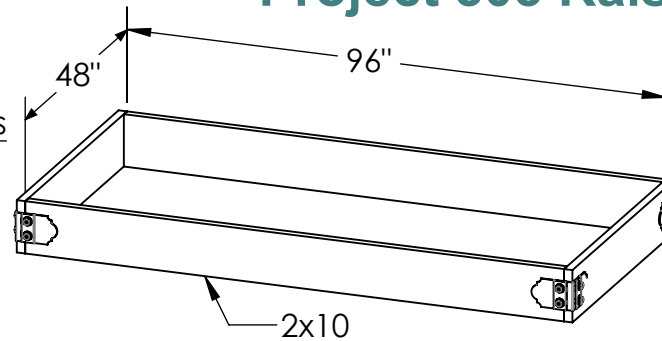
CONSTRUCT

ENJOY

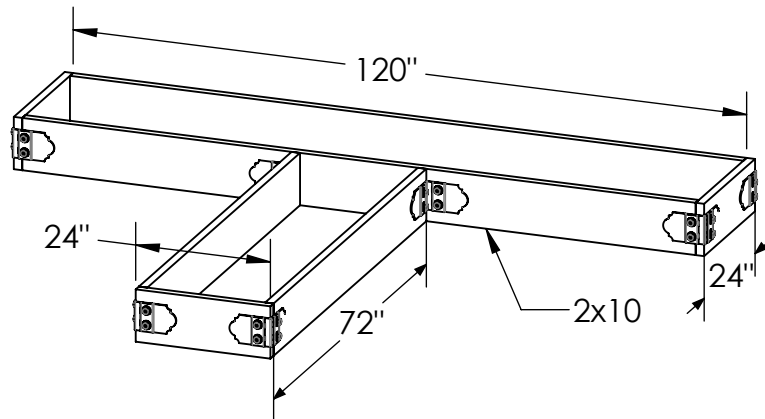


Bill of Materials
 56616 qty: 8
 56611 qty: 16
 56625 qty: 2
 2x8x16 qty: 2
 2x10x16 qty: 1

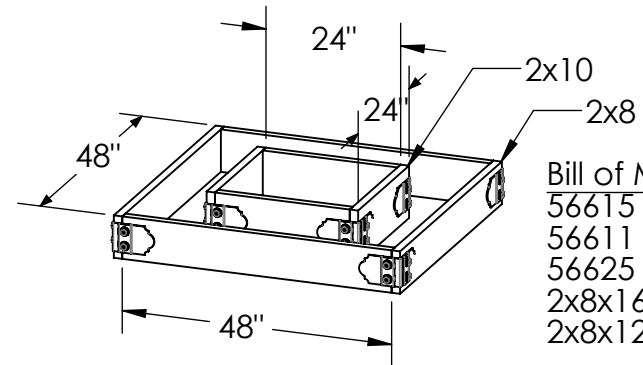
Project 505 Raised Garden



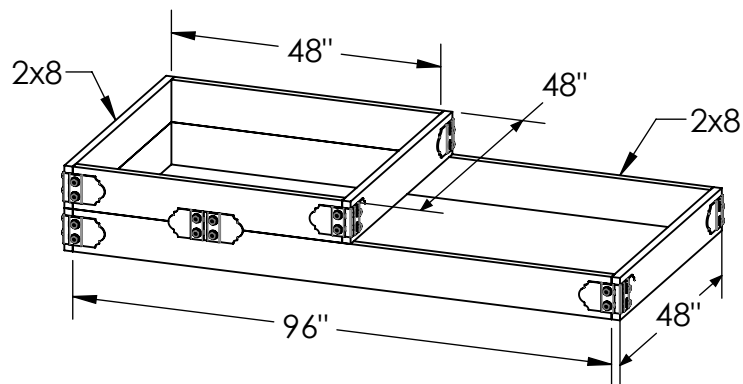
Bill of Materials
 56615 qty: 2
 56611 qty: 4
 56625 qty: 1
 2x10x12 qty: 2



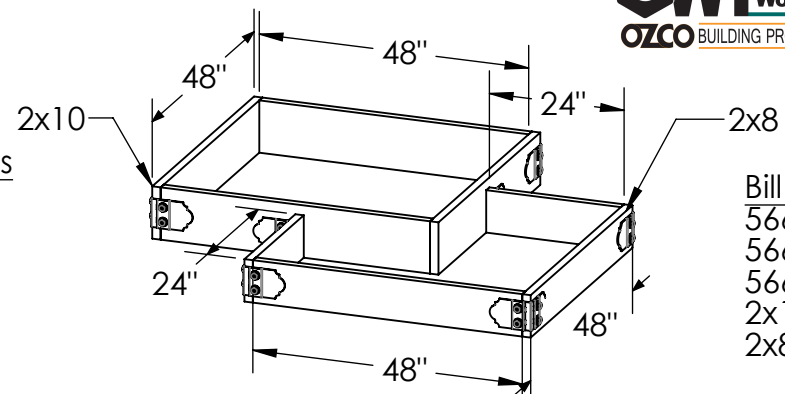
Bill of Materials
 56615 qty: 4
 56611 qty: 8
 56625 qty: 2
 2x8x12 qty: 3
 2x8x6 qty: 1



Bill of Materials
 56615 qty: 4
 56611 qty: 8
 56625 qty: 2
 2x8x16 qty: 1
 2x8x12 qty: 8

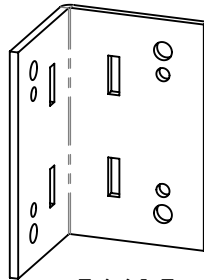


Bill of Materials
 56613: qty: 1
 56615 qty: 4
 56611 qty: 10
 56625 qty: 2
 2x8x12 qty: 3

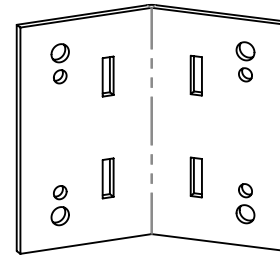


Bill of Materials
 56615 qty: 4
 56611 qty: 8
 56625 qty: 2
 2x10x16 qty: 1
 2x8x12 qty: 1

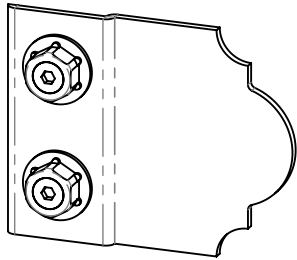




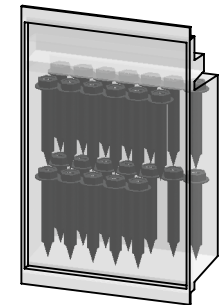
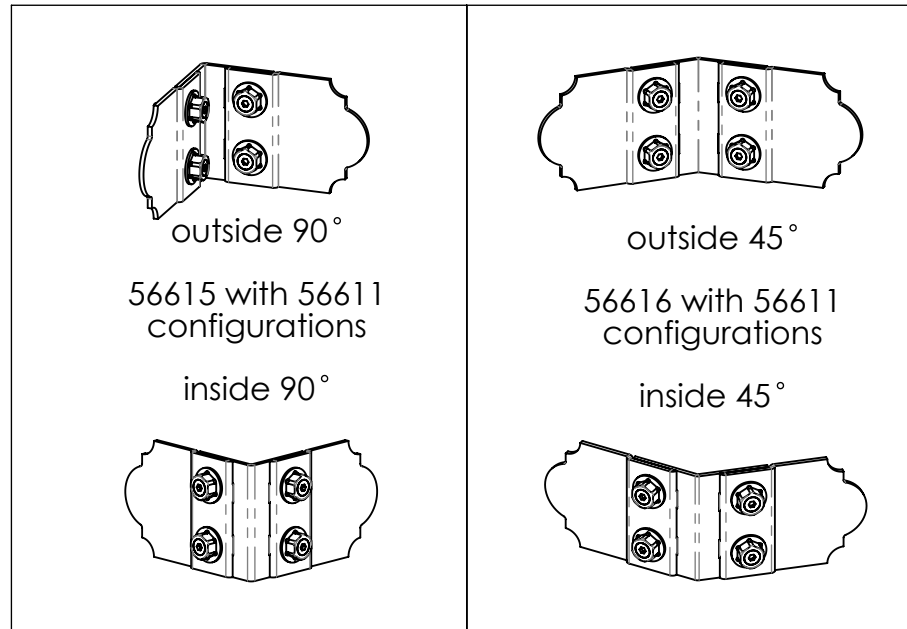
56615
(2 pack)



56616
(2 pack)

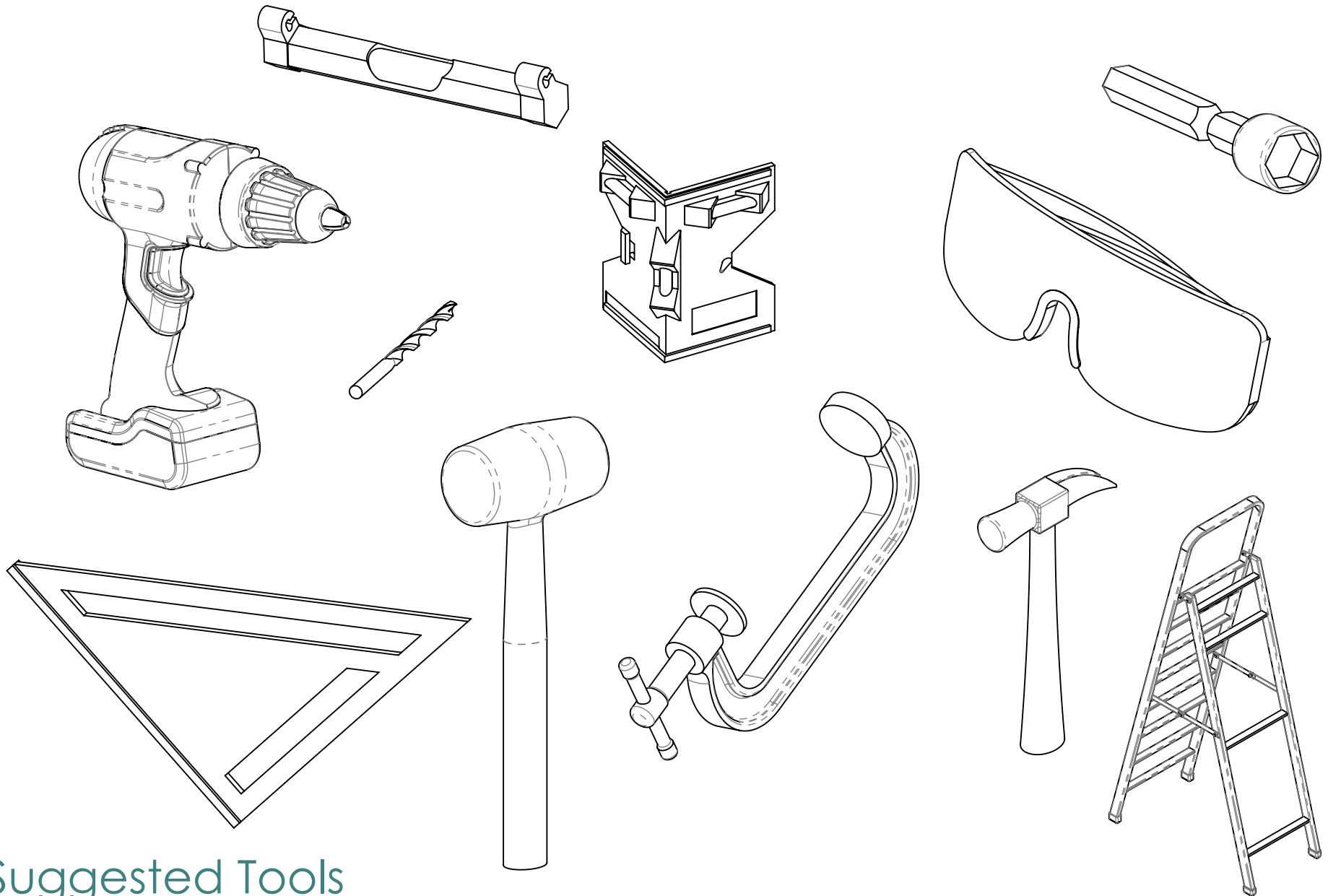


56611
(2 pack)



56625
(25 pack)
4 screws required for
each connector

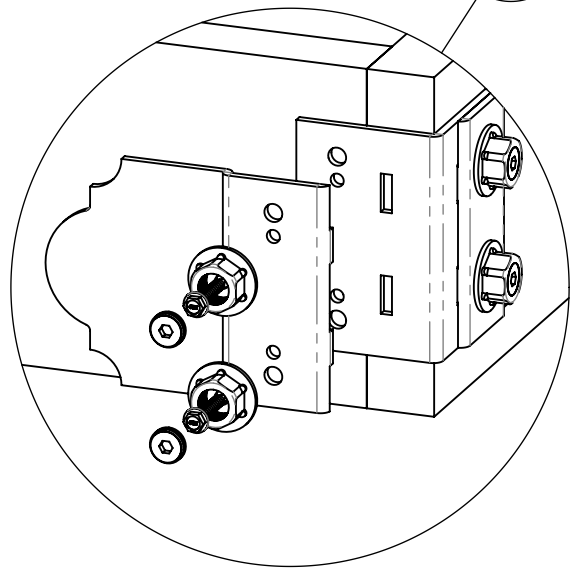
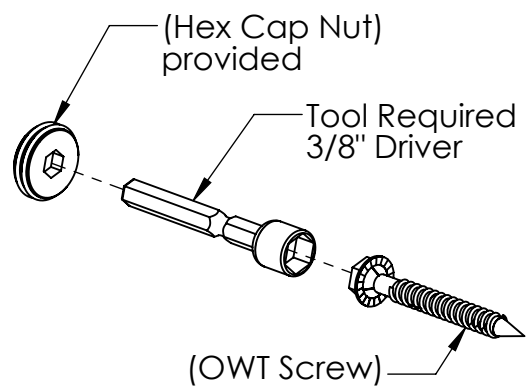
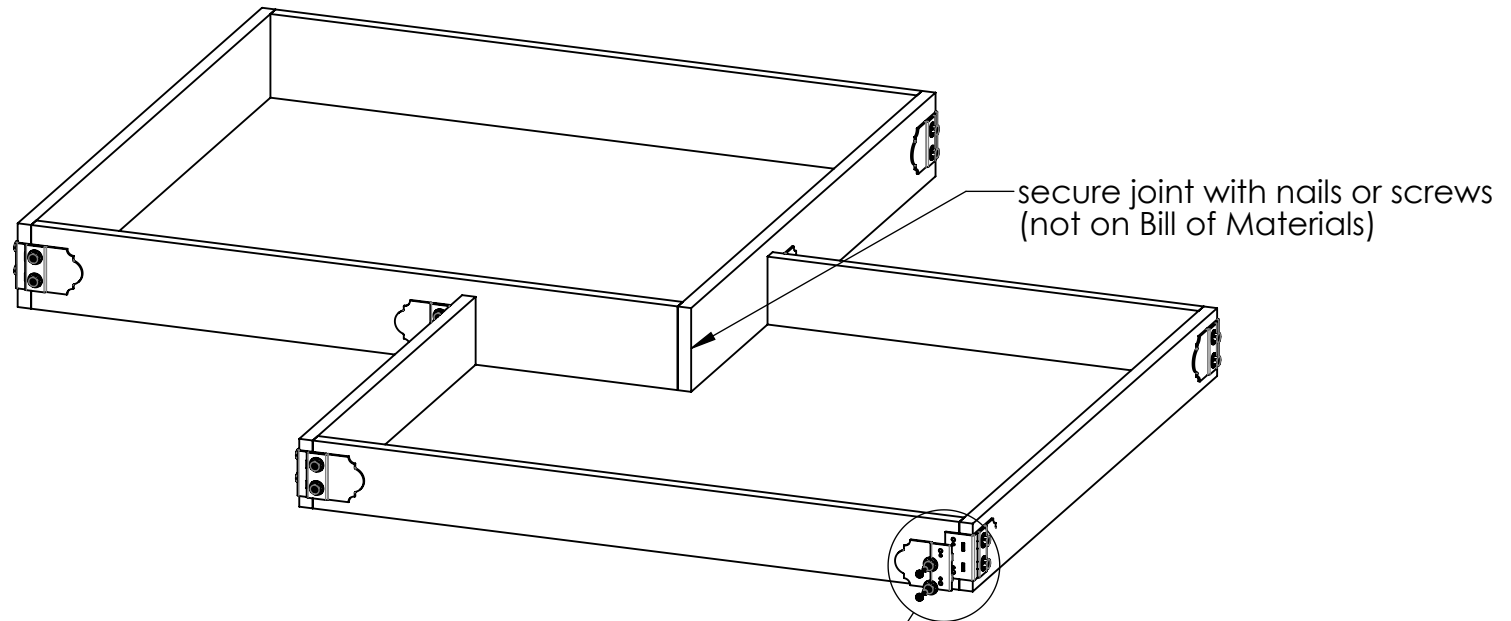




Suggested Tools

(others may be required)

Project 505 Raised Garden



typical assembly