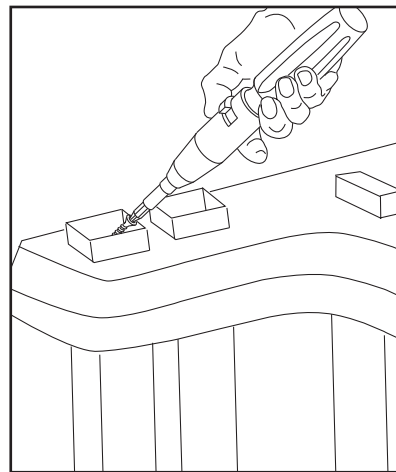
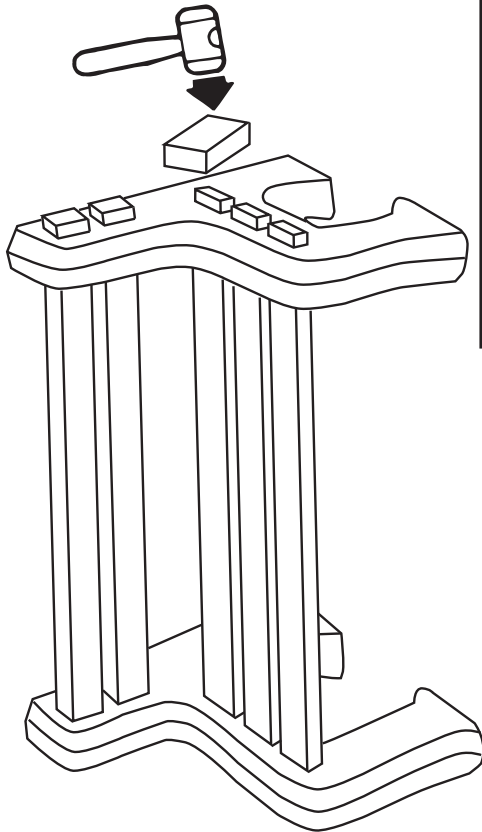
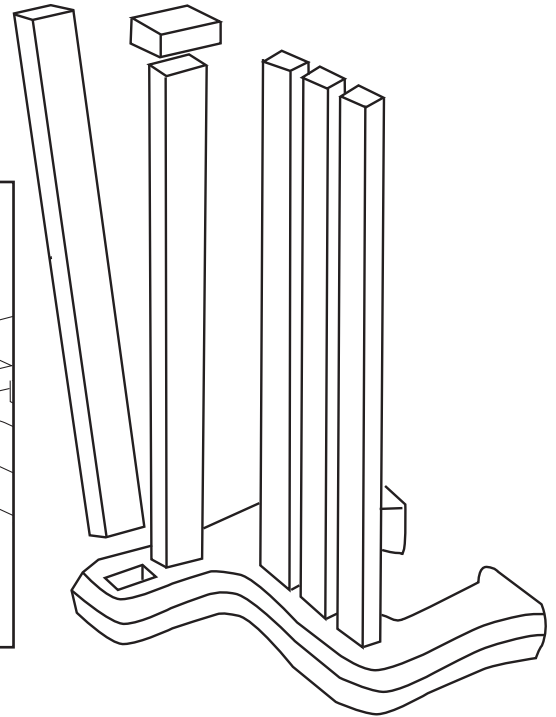




Superior Country Accents Park Bench Assembly Instructions

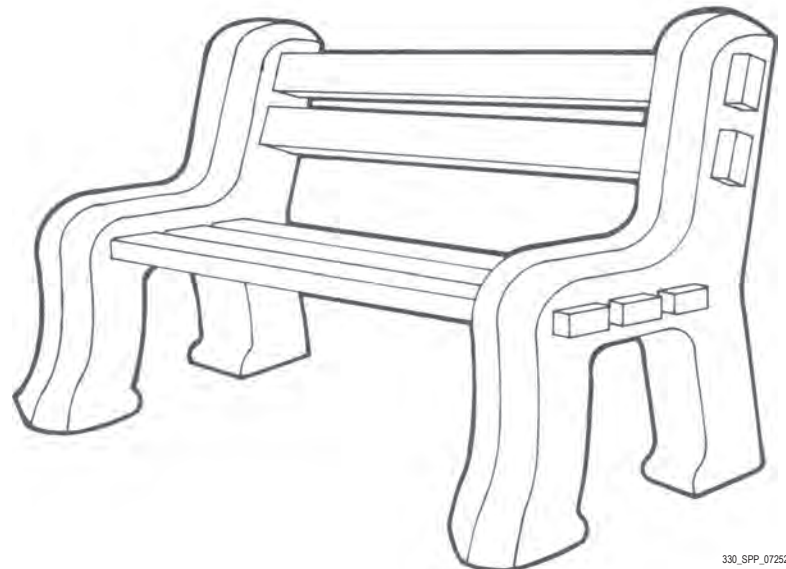
Step 1

The (3) 1½" x 3½" planks with steel inside are for the seat part. To begin the assembly, drive each plank through its slots in either bench end (use a block of wood to protect the ends of the planks).



Step 2

To permanently fasten the bench together, with seat and back planks extending beyond end ½", drive a #14 x 1" screw (included) thru plank into bench end. This is done from inside the plank, approximately ¾" to 1" in from end (see illustration). Glue the insert caps on.



Congratulations! Your park bench is now completed and ready to enjoy!