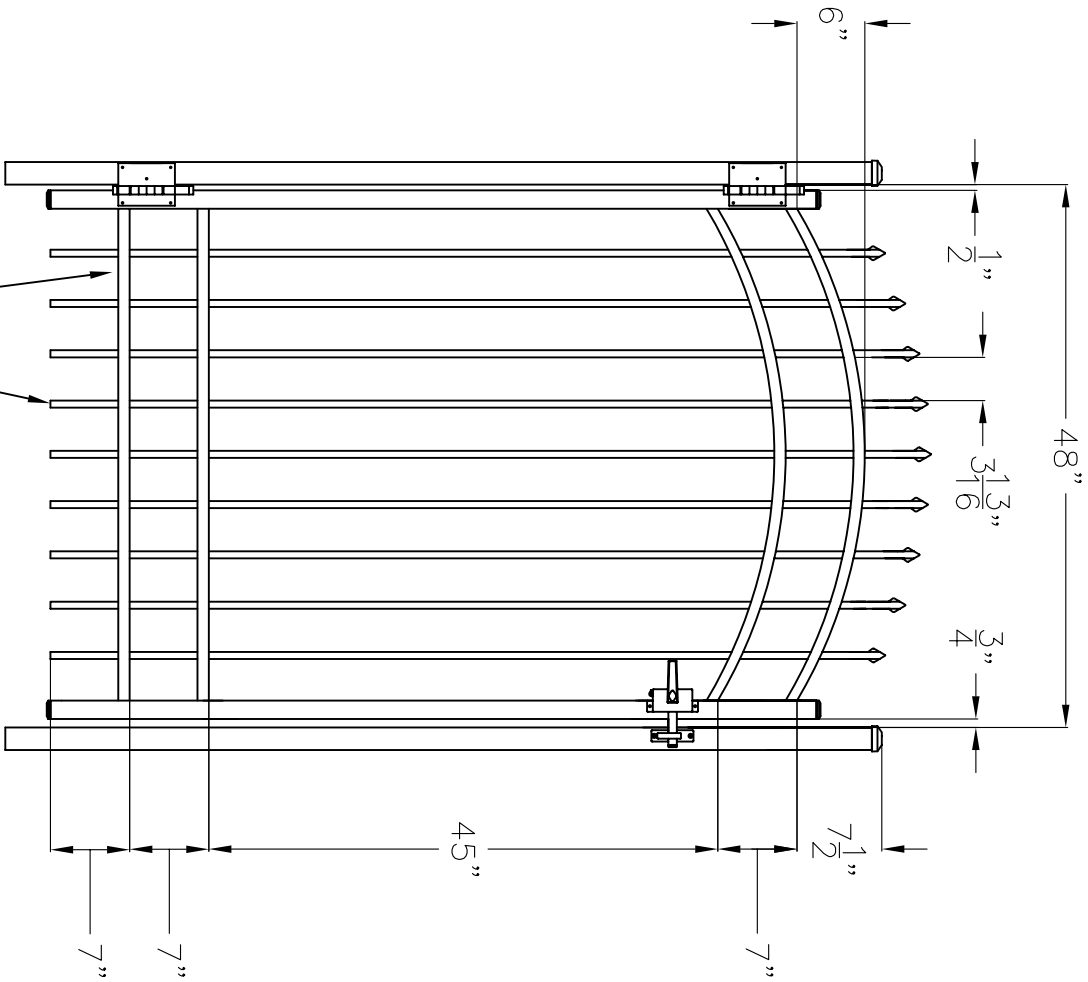


1" X 1-1/2" STRINGER

8" SQUARE PICKET



jerrell
 Manufacturing Co., Inc.
 Philadelphia, PA 19154
 (800)344-2242

RESIDENTIAL ACCENT GATE
STYLE #101
72" HIGH X 48" WIDE

Date: September 2004
 Copyright 2004
 No part of this drawing may be reproduced or used without permission of Jerrell Manufacturing Co., Inc.
 Drawing No. **RS72U10148**