

FENCE PARTS		
ITEM	QTY	NAME
1	1	72" - 15 HOLE RESIDENTIAL HEADER
2	16	48" INSERT PICKET
3	2	2" POST
4	2	72" - 31 HOLE RESIDENTIAL STRINGER
5	2	2" ALUMINUM POST CAP
6	15	R202 - 48" PICKET

SIZE	REV	DESCRIPTION	DATE	APPROVED
-	NC	INITIAL RELEASE		

D

C

B

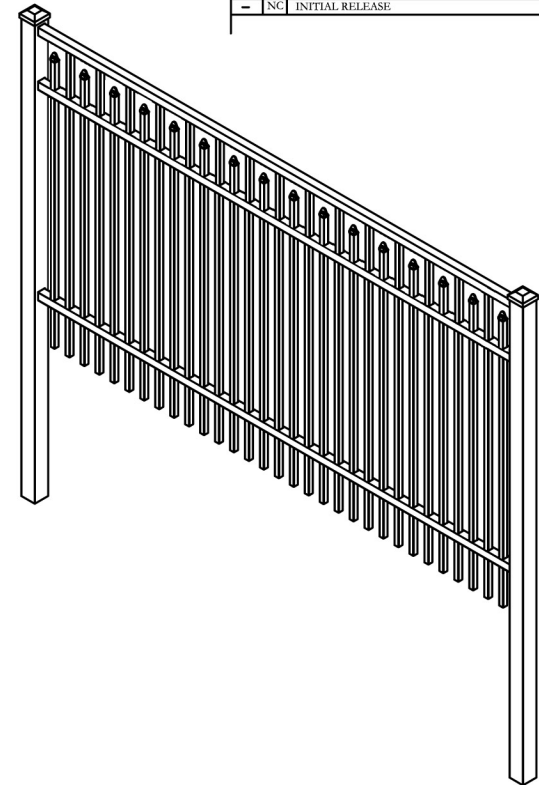
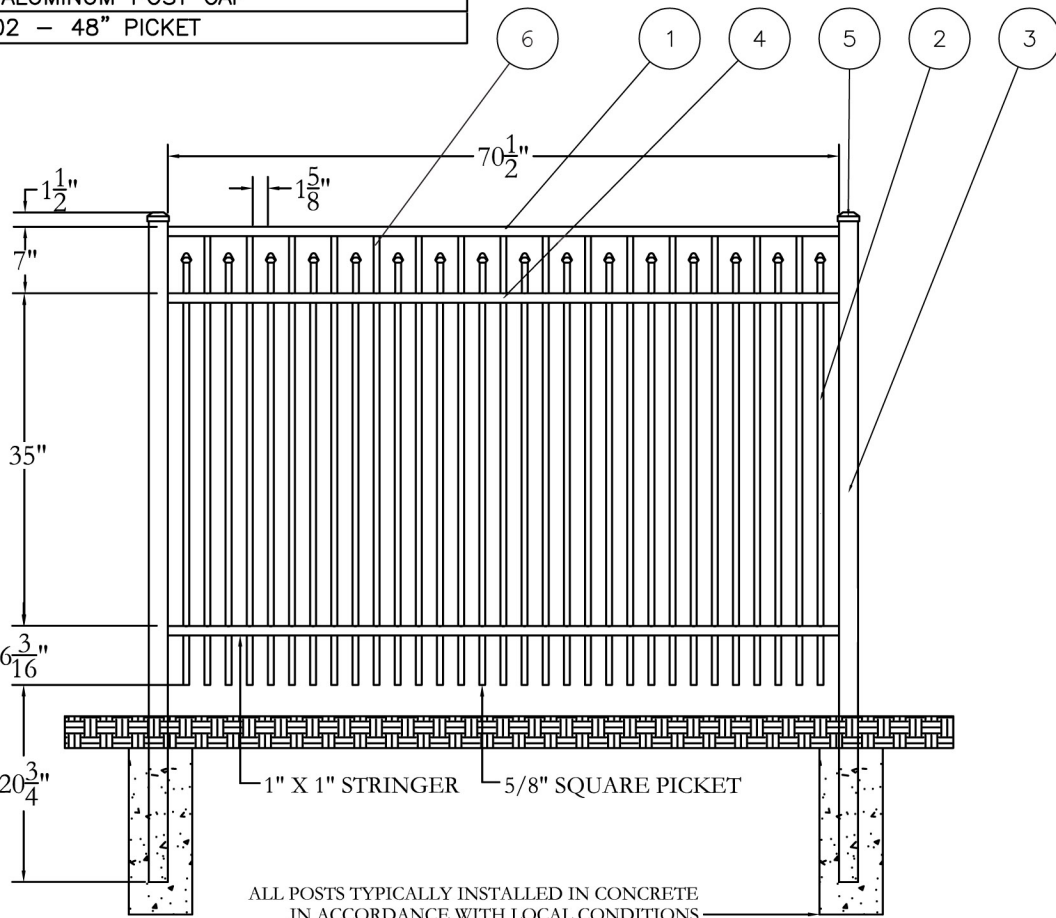
A

D

C

B

A



Jerith[®]
 Manufacturing Co., Inc.
 Philadelphia, PA 19154
 (800)344-2242

DRAWING:
RESIDENTIAL FENCE
STYLE #400 - 48" HEIGHT

© 2005. This drawing may not be altered or reproduced without the permission of Jerith Manufacturing Co., Inc.

SIZE D	DWG NO. RS48U400SN	REV NC
SCALE	DATE 3-1-04	SHEET 1 OF 1