

FENCE PARTS		
ITEM	QTY	NAME
1	1	72" - 31 HOLE RESIDENTIAL HEADER
2	31	R202 - 36" PICKET
3	2	2" POST
4	2	72" - 31 HOLE RESIDENTIAL STRINGER
5	2	2" ALUMINUM POST CAP

SIZE	REV	DESCRIPTION	DATE	APPROVED
-	NC	INITIAL RELEASE		

D

C

B

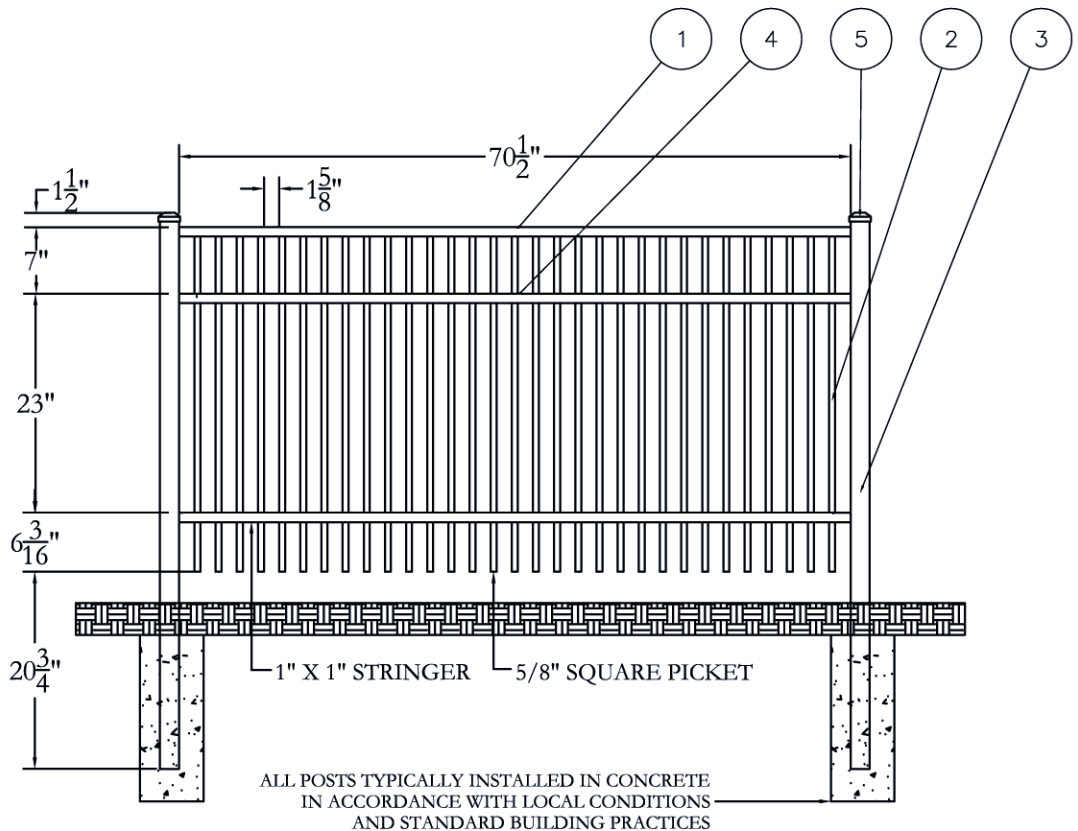
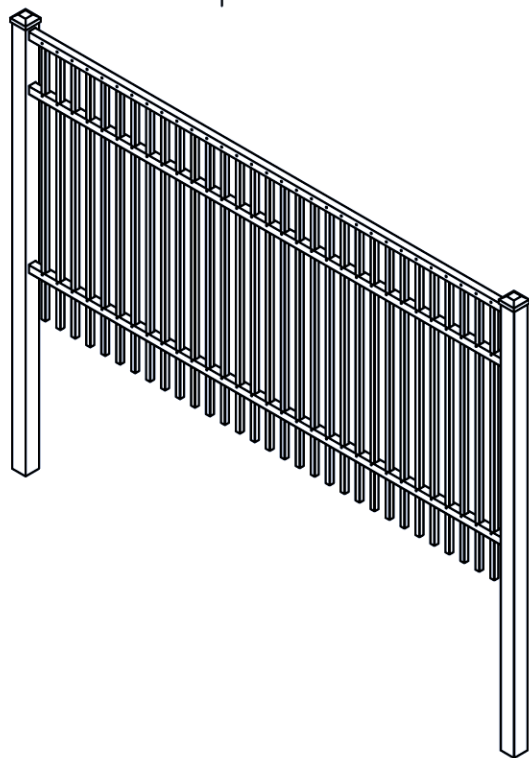
A

D

C

B

A



*Jerith*<sup>®</sup>  
 Manufacturing Co., Inc.  
 Philadelphia, PA 19154  
 (800)344-2242

DRAWING:  
 RESIDENTIAL FENCE  
 STYLE #402 - 36" HEIGHT

© 2005. This drawing may not be altered or reproduced without the permission of Jerith Manufacturing Co., Inc.

SIZE D	DWG NO. RS36U402SN	REV NC
SCALE	DATE 3-1-04	SHEET 1 OF 1