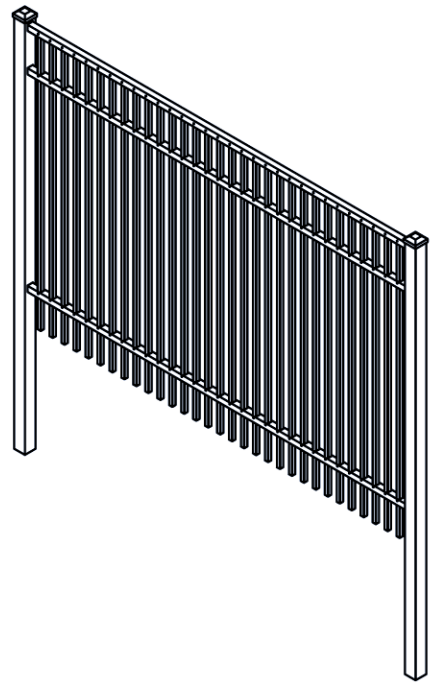
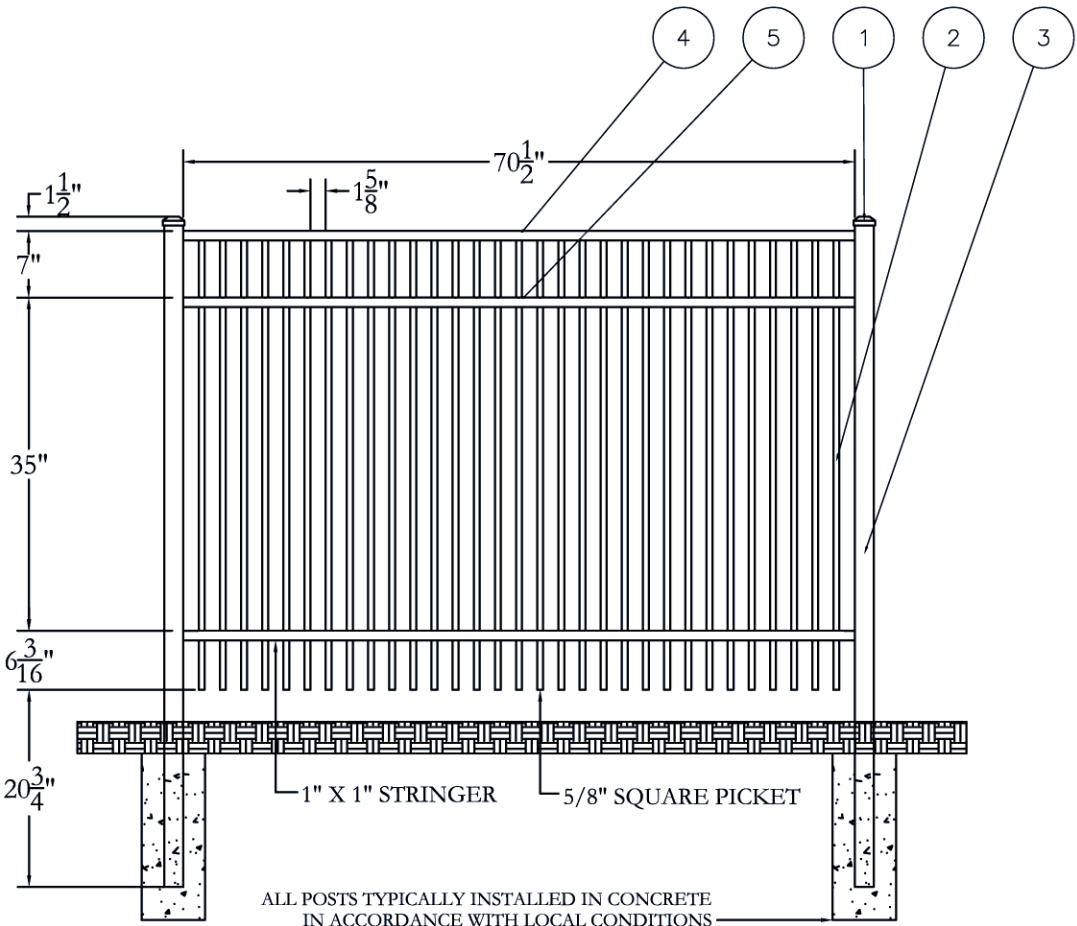


| FENCE PARTS | | |
|-------------|-----|------------------------------------|
| ITEM | QTY | NAME |
| 1 | 2 | 2" ALUMINUM POST CAP |
| 2 | 31 | R202 - 48" PICKET |
| 3 | 2 | 2" POST |
| 4 | 1 | 72" - 31 HOLE RESIDENTIAL HEADER |
| 5 | 2 | 72" - 31 HOLE RESIDENTIAL STRINGER |

| SIZE | REV | DESCRIPTION | DATE | APPROVED |
|------|-----|-----------------|------|----------|
| - | NC | INITIAL RELEASE | | |



Jerith[®]
 Manufacturing Co., Inc.
 Philadelphia, PA 19154
 (800)344-2242

DRAWING:
RESIDENTIAL FENCE
STYLE #402 - 48" HEIGHT

ALL POSTS TYPICALLY INSTALLED IN CONCRETE
 IN ACCORDANCE WITH LOCAL CONDITIONS
 AND STANDARD BUILDING PRACTICES

© 2005. This drawing may not be altered
 or reproduced without the permission of
 Jerith Manufacturing Co., Inc.

| | | |
|-----------|-----------------------|-----------------|
| SIZE D | DWG NO. RS48U402SN | REV NC |
| SCALE | DATE 3-1-04 | SHEET 1 OF 1 |