

FENCE PARTS		
ITEM	QTY	NAME
1	31	R202 - 60" PICKET
2	2	2" POST
3	2	2" ALUMINUM POST CAP
4	2	72" - 31 HOLE RESIDENTIAL STRINGER
5	1	72" - 31 HOLE RESIDENTIAL HEADER

SIZE	REV	DESCRIPTION	DATE	APPEND
-	NC	INITIAL RELEASE		

D

C

B

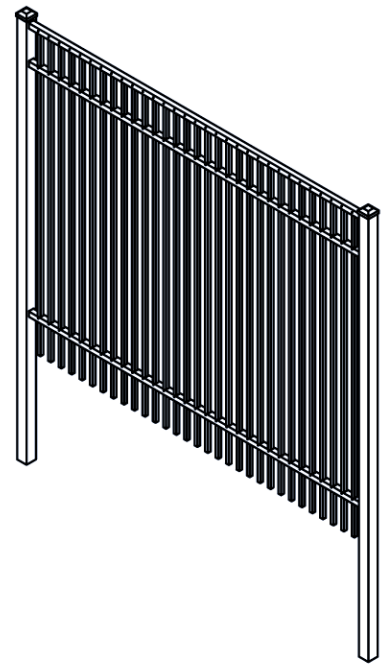
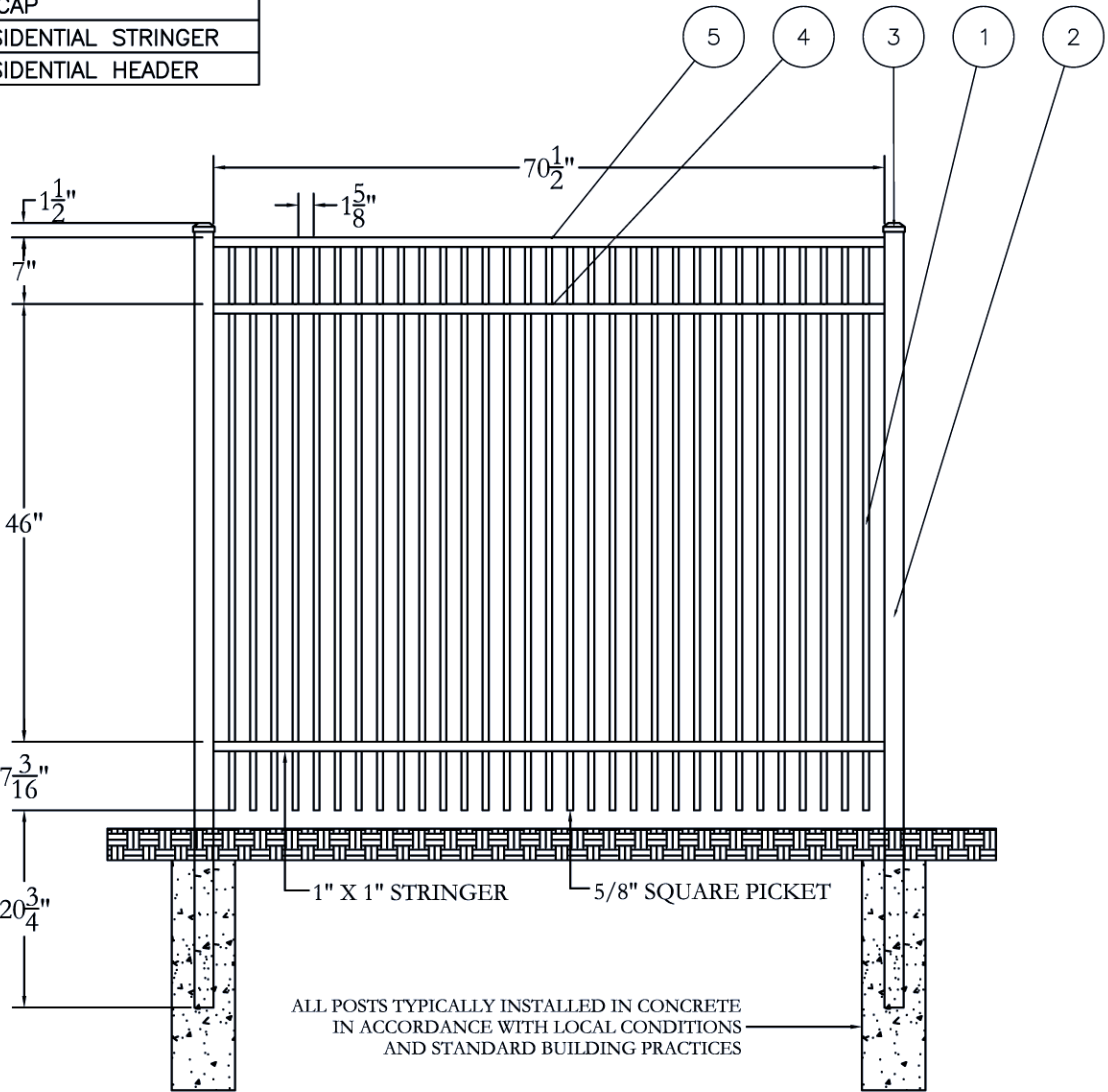
A

D

C

B

A



*Jerith*<sup>®</sup>  
 Manufacturing Co., Inc.  
 Philadelphia, PA 19154  
 (800)344-2242

DRAWING:  
**RESIDENTIAL FENCE**  
**STYLE #402 - 60" HEIGHT**

© 2005. This drawing may not be altered or reproduced without the permission of Jerith Manufacturing Co., Inc.

SIZE D	DWG. NO. RS60U402SN	REV NC
SCALE	DATE 1-1-05	SHEET 1 OF 1

8 7 6 5 4 3 2 1