

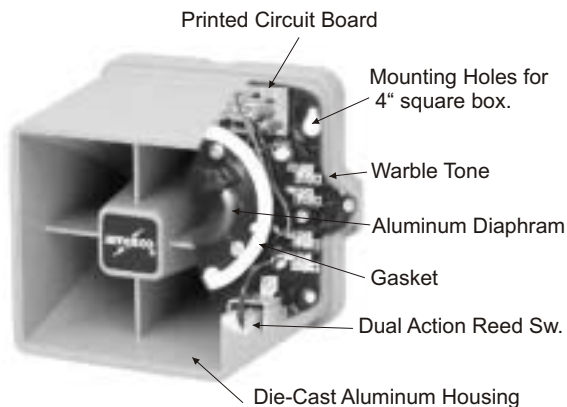
# SSX-51 SSX-51S

## Indoor/Outdoor Self-Contained Armored Siren and Siren/Strobe Combination.

### Description:

The SSX-51 series is a patented Self-contained, 15 watt Indoor/Outdoor Armored Siren. The full featured armored siren consist of a single-tone that delivers a warble sound output, light weight rust proof aluminum die-cast housing, with 122dB output siren driver and dual-action N/O (normally open) reed plunger switch for normally closed loop.

The armored siren DOES NOT require additional modules, metal boxes, tamper switches, special tools, or training to install and operate. The SSX-51 series comes completely assembled and ready for installation. Also available the SSX-51S Siren/Strobe Combination, a high quality, high dB output siren with a 60,000 candle power strobe with available lens colors : amber, blue, clear, and red.



Patented

### Features:

- Indoor/Outdoor 15 watt armored siren.
- 122dB sound output.
- Warble sound output.
- Rust free aluminum die-cast housing.
- Polarized 6~12VDC(SSX-51) and 12VDC (SSX-51S) input with reverse polarity protection.
- Dual-action reed tamper switch.
- Up-front screw terminals for easier field wiring.
- Mounts directly to the wall or to a 4" square back box.
- 60,000 candle power strobe.
- Strobe lens colors available: amber, blue, clear, red.
- Suitable for use with most control panels.

### Application:

The SSX-51 series is ideally suited for: noisy heavy machinery areas, warehouses, loading docks, print shops, busy production floors or for Indoor/Outdoor applications where high quality, high output warning is required.

### Ordering Information:

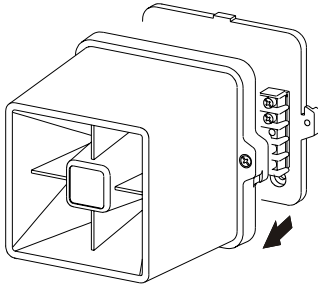
Model Number	Input Voltage (VDC)	Strobe Candle Power	Lens Color	Sound Output (dBA)	Operating Voltage Range (VDC)	Design Type
SSX-51	6 ~ 12	—	—	122	4.8 ~ 14.4	Indoor / Outdoor
SSX-51SA	12	60,000	Amber	122	9.6 ~ 14.4	Indoor / Outdoor
SSX-51SB	12	60,000	Blue	122	9.6 ~ 14.4	Indoor / Outdoor
SSX-51SC	12	60,000	Clear	122	9.6 ~ 14.4	Indoor / Outdoor
SSX-51SR	12	60,000	Red	122	9.6 ~ 14.4	Indoor / Outdoor

**Specifications:**

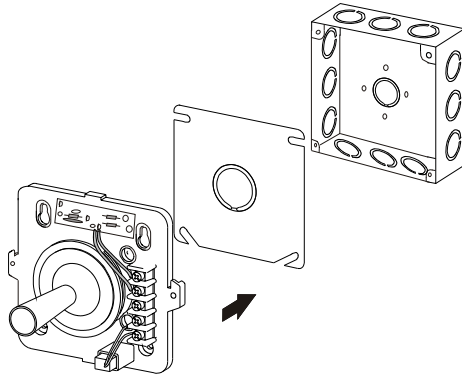
Model Number	Input Voltage (VDC)	Current Draw (Amps)	Sound Output (dBA)	Strobe Candle Power	Lens Color	Operating Voltage Range (VDC)	Flash Rate (Per/min)	Tamper Switch Cont. Capacity (12VDC)
SSX-51	6 ~ 12	0.560	122	—	—	4.8 ~ 14.4	—	0.3A
SSX-51SA	12	0.670	122	60,000	Amber	9.6 ~ 14.4	20 ~ 100	0.3A
SSX-51SB	12	0.670	122	60,000	Blue	9.6 ~ 14.4	20 ~ 100	0.3A
SSX-51SC	12	0.670	122	60,000	Clear	9.6 ~ 14.4	20 ~ 100	0.3A
SSX-51SR	12	0.670	122	60,000	Red	9.6 ~ 14.4	20 ~ 100	0.3A

The SSX series is rated for Indoor/Outdoor use with a temperature operating range of 14°F ~ 140°F (-10°C ~ 60°C)

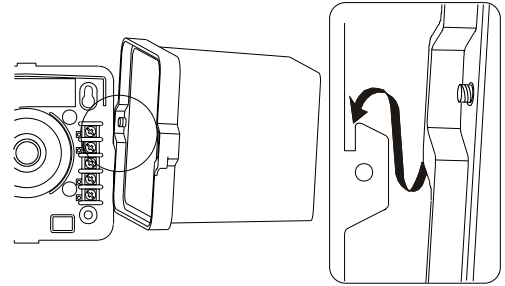
**Installation:**



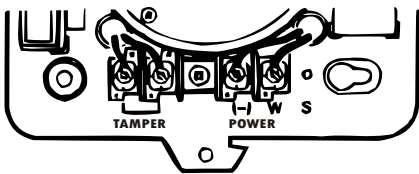
**Step. 1**  
Separate the housing from the back plate.



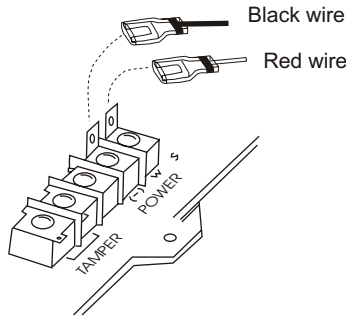
**Step. 2**  
Mount the back plate directly to the wall or to a 4" square box.



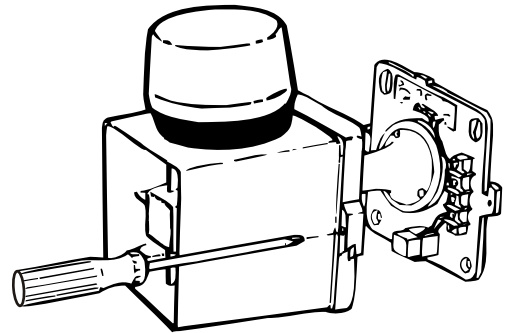
**Step. 3**  
Place the housing over the built-in hook to free your hands during wiring.



**Step. 4**  
Connect the siren wires to the terminal strip as indicated above. and re-install the cast iron housing.



**SSX-51S**  
Connect the Red wire from the strobe to the (w) terminal and the Black wire to the (-) terminal on the back plate as indicated



**Step. 5**  
Re-install the cast iron housing making sure it aligns properly with the back plate before securing the screws.

**Dimensions:** Inches (mm)

