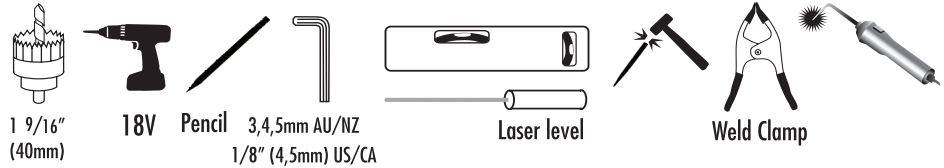


Installation Instructions



Flush Mount Models	Hole diameter	Min Post Size
SM AT90 W	1 9/16" (40mm)	2" x 2" (50 x 50mm)
57 AT90 W	1 9/16" (40mm)	2" x 2" (50 x 50mm)
57SF AT90 W	1 9/16" (40mm)	2" x 2" (50 x 50mm)
108 AT90 W	1 9/16" (40mm)	3" x 3" (75 x 75mm)
108SF AT90 W	1 9/16" (40mm)	3" x 3" (75 x 75mm)



FLUSH MOUNT WELD-ON

NOTE: Always install SM hinge at bottom of gate and 57 or 108 closer on top.

1 DETERMINE THE HANDING

2 MARKING HEIGHTS

3 MARK TOP AND BOTTOM BRACKETS ON POST

4 SCREW POST BRACKET ONTO HINGE

5 ASSEMBLE HINGE/CLOSER TO GATE BRACKET

6 REPLACE HINGE PINS

7 SLIDE UNIT INTO FENCE POST HOLE

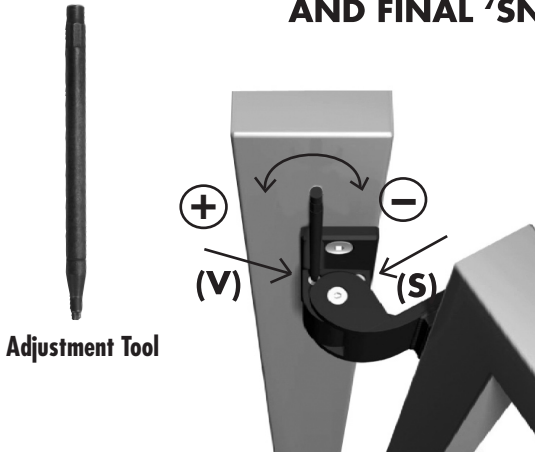
8 WELD POST BRACKETS TO POST

For welding installations, general field welding operations with suitable clean up and rust protection procedures should be followed.

9 WELD GATE BRACKETS TO GATE FRAME

Open gate and secure Hinge Bracket to Gate Frame, weld, paint.
Protect hinge from weld spatter.

ADJUSTING THE CLOSING SPEED AND FINAL 'SNAP' ACTION (108 ONLY)



CAUTION: Sensitive adjustment, rotate 1/4 turn at a time.

V=Closing Speed

S=Final Snap Action

Turn nozzles clockwise to decrease speed & counterclockwise to increase speed.

If using a 57+57 or 108+108 combination, each closer must have equal closing speed at all times.



IMPORTANT:

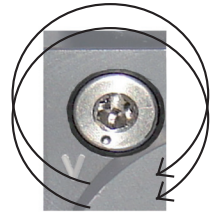
Use dimple to determine how far nozzle has turned.

DO NOT turn adjustment nozzles more than 2 complete rotations.

DO NOT unscrew nozzle past the surface of the body.

CAUTION:

DO NOT remove adjustment nozzles or disassemble hinge. Doing so voids warranty.



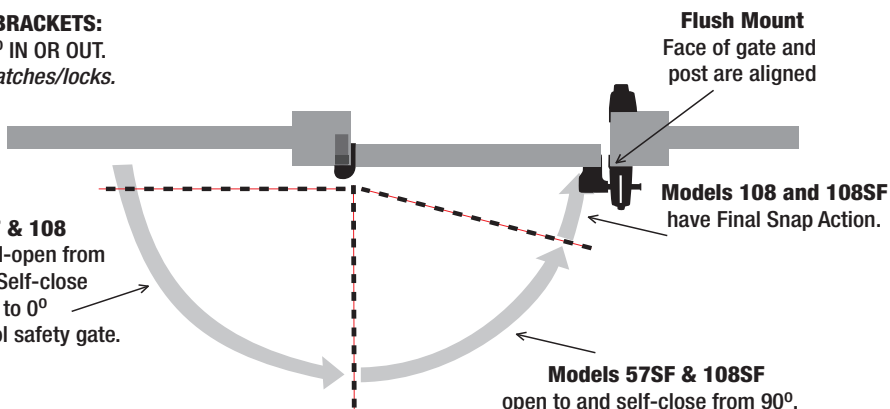
FLUSH MOUNTING

FLUSH MOUNT BRACKETS:

Gate swings 180° IN OR OUT.

Use flush mount latches/locks.

Models 57 & 108
open 180°. Hold-open from 180° to 90°. Self-close from 85° to 0°
NOT for child/pool safety gate.



Flush Mount
Face of gate and post are aligned

Models 108 and 108SF
have Final Snap Action.

Models 57SF & 108SF
open to and self-close from 90°. NO hold-open feature.
* Suitable for child/pool safety gate.
DO NOT PROP GATE OPEN.

SF models have 5 dimples for identification



MAINTENANCE REQUIREMENTS

- Never use more than two (2) SureClose hinge/closers on any one gate.
- Remove all other types of hinges and self-closing devices.
- Always install SM hinge at bottom of gate and 57 or 108 closer on top.
- Ensure the gate does not swing through the line of the fence. Use a "gate stop" or a latch (with striker) to prevent this.
- All steel mounting brackets (gate and post) should be painted or powder coated. Spray painting is recommended.
- The anodized aluminum mounting brackets do not need finishing, but they may be painted or powder coated.
- DO NOT powder coat the hinge/closer, but they may be painted.
- DO NOT turn the adjustment nozzles more than two (2) full rotations.
- DO NOT unscrew nozzle past the surface of the body.
- DO NOT remove the adjustment nozzles or disassemble these hinges at any time. Doing so voids warranty.
- Ensure the hinges are kept free of sand, ice and other debris that could impair effective operation.

2 YEAR LIMITED WARRANTY:

For a downloadable Adobe Acrobat (.PDF) version of our 2 YEAR LIMITED WARRANTY, go to our website at www.ddtechglobal.com

*CAUTION: When used on swimming pool gates, always consult local authorities for swimming pool Codes.