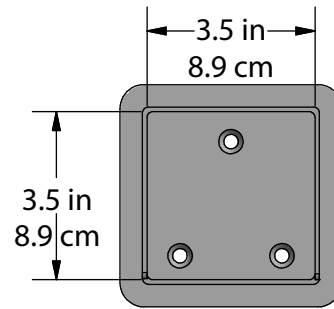
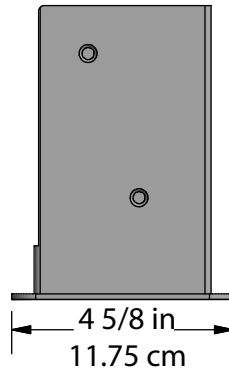
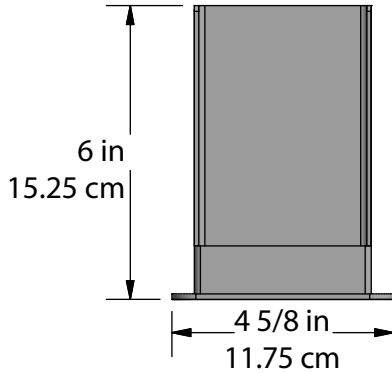


ASSEMBLY INSTRUCTIONS

Bolt Down Bracket System

VA80206 (2-Pack) | VA80207 (3-Pack) | VA80205 (4-Pack)

New England
Arbors
Leadership by Design



Designed to be used to mount any New England Arbor pergola with 5"x5" columns
DO NOT use the bolt down bracket system for installing the pergola over concrete pavers, patio stones, or interlocking bricks.

Refer to page 8 of the instruction manual for more detailed post location information for your specific model.

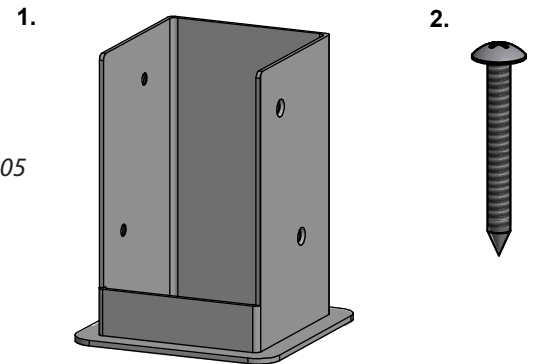
Please read through before starting installation.

Warning:
If you are installing a pergola on a wood deck or concrete surface, it is highly recommended that you purchase this product.

Check Box for These Contents

In the event of missing or defective parts please call our customer service dept. at **1 800 282 9346** (Mon. to Fri. 8:00 AM to 4:00 PM EST). (UK Tel: **(44) 2038 687160** - Mon. to Fri. 1:00 PM to 10:00 PM GMT).

1. Steel Post Bracket (2, 3, or 4; depending on quantity pack purchased) 80054
2. 1 1/2" (3.8 cm) Self Tapping Screws (4 screws per individual bolt down bracket) 20005 to fasten wood posts to Steel Post Brackets



Extra Materials Required (Quantity requirements detailed below will vary depending on your pergola model).

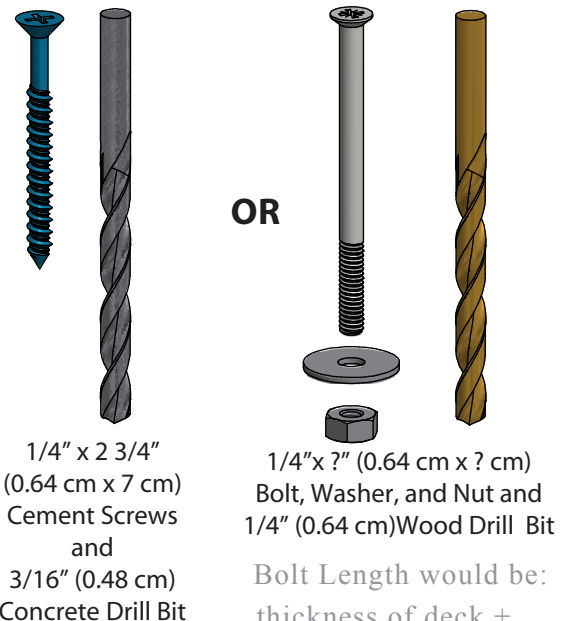
If mounting Pergola onto an existing concrete surface:

- 4x4x8' (10.2 cm x 10.2 cm x 243.8 cm) - pressure treated wood posts - 1 wood post per pergola column
- 1/2" x 3 1/2" x 12" (1.3 cm x 9 cm x 30.5 cm) long wood shims to "build out" wood posts - 8 shims per wood post (can be cut from 1/2" plywood).
- 1/4" x 2 3/4" (0.64 cm x 7 cm) Cement Screws - Countersunk head - 3 screws per bolt down bracket
- 3/16" (0.48 cm) Concrete drill bit. Minimum 3" (7.6 cm) Long (1)

If mounting Pergola onto a wooden or composite deck with AN ACCESSIBLE UNDERSIDE:

- 4x4x8' (10.2 cm x 10.2 cm x 243.8 cm) - pressure treated wood posts - 1 wood post per pergola column
- 1/2" x 3 1/2" x 12" (1.3 cm x 9 cm x 30.5 cm) long wood shims to "build out" wood posts - 8 shims per wood post (can be cut from 1/2" plywood).
- 1/4" (0.64 cm) x ?" Bolts and nuts - Countersunk Head - 3 bolts/nuts per bolt down bracket (length depends on total thickness of deck board plus blocking board ± 1/2" 1.3 cm)
- 1/4" (0.64 cm) Washers - 3 washers per bolt down bracket.
- 1/4" (0.64 cm) Wood drill bit (1) (Length depends on total thickness of deck board plus blocking board ± 1/2" 1.3 cm).
- 2x6 (5 cm x 15 cm) x 6" (15cm) long - Blocking Board - 1 piece per bolt down bracket (to be installed underneath the deck boards and bolt down brackets).

Extra Hardware Required:



1/4" x 2 3/4"
(0.64 cm x 7 cm)
Cement Screws
and
3/16" (0.48 cm)
Concrete Drill Bit

OR
1/4" x ?" (0.64 cm x ? cm)
Bolt, Washer, and Nut and
1/4" (0.64 cm) Wood Drill Bit

Bolt Length would be:
thickness of deck +
thickness of blocking
board + ± 1/2" (1.3 cm)

Tools You Will Need

- Cordless Drill
- Concrete Hammer Drill (if drilling in concrete)
- Wrenches/Socket Set (if fastening with bolts)

STEPS

The following steps use a traditional 4-column pergola as an example. Please refer to Page 8 of your pergola instruction manual for details on how to position your bolt down brackets for your pergola model.

1

Measure and mark out the location of the bolt down brackets using string or chalk line. Diagonal distances must be the same to ensure a square installation. Adjust string lines accordingly. The inside corner of the string lines will be the corner of the bottom flange of the bolt down bracket.

2

Mark out the hole locations of bolt down brackets.

IF MOUNTING TO CONCRETE SURFACE, proceed to step 3
IF MOUNTING TO WOOD OR COMPOSITE DECKING, proceed to step 4

3

Using a 3/16" (0.48 cm) masonry drill bit, drill 3" (7.6 cm) deep holes to allow installation of 2 3/4" (7 cm) concrete screws (purchased separately)

Proceed to install three 2 3/4" (7 cm) concrete screws into the bottom base of each of the bolt down bracket.
Proceed to step 6

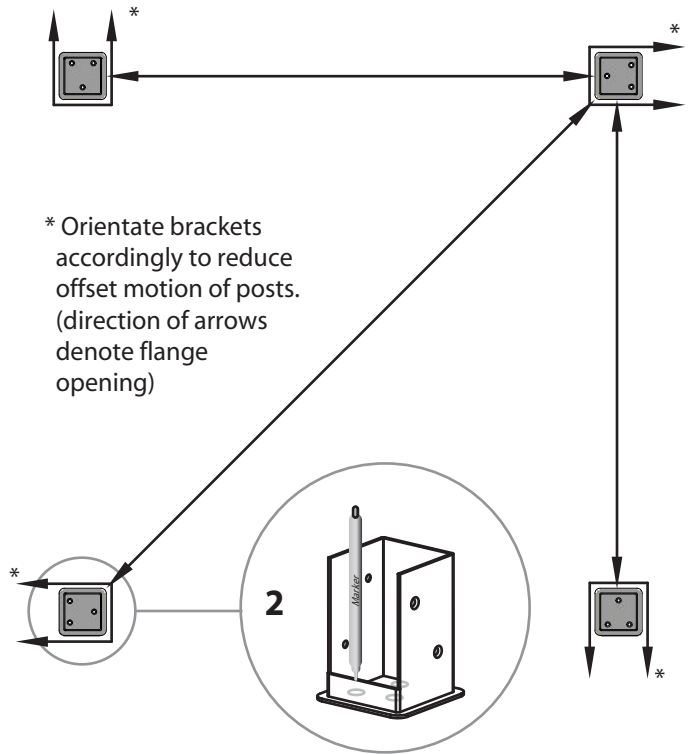
Please Note:

Concrete patios generally have sloped surface for water run-off. If this is the case, when you secure the bolt down bracket to the concrete, the bracket may be at an angle. This can be corrected for level using galvanized steel washers (not provided), acting as shims underneath the base to level - **VERY IMPORTANT OR PERGOLA BEAMS AND RAFTERS WILL NOT BE LEVEL.**

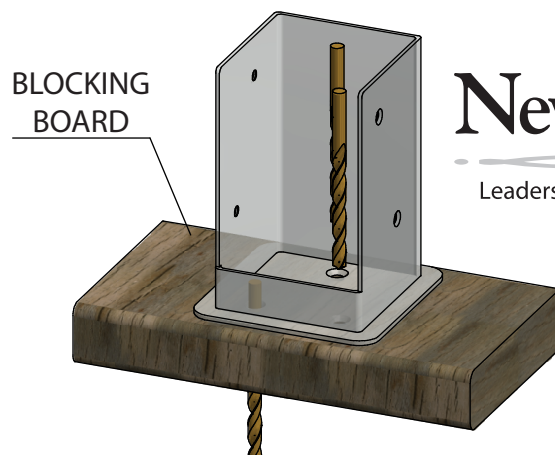
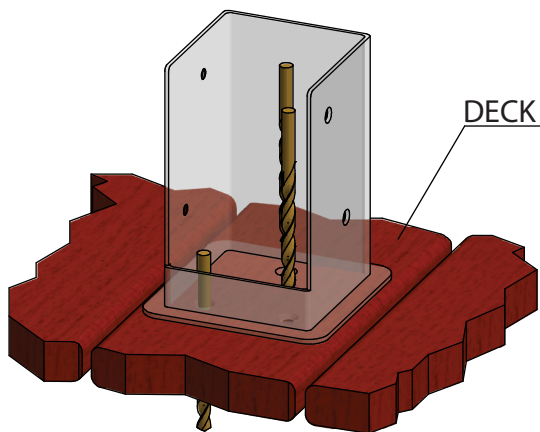
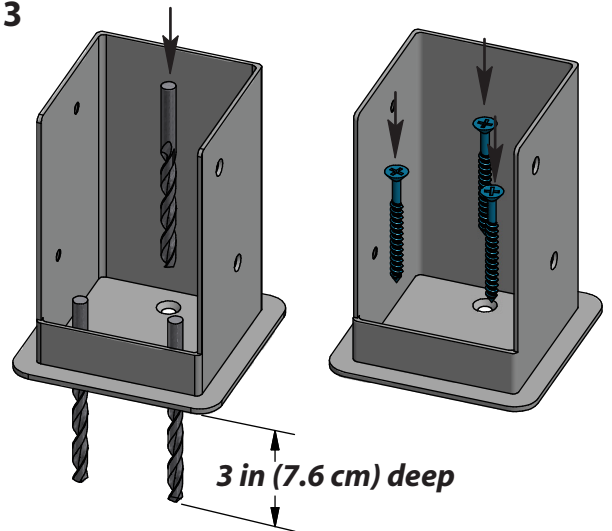
4

Using a 3/16" (0.48 cm) wood drill bit, drill the three holes through the wood deck. Obtain a 'blocking board' such as a piece of 2x6 (5 cm x 15 cm) x 6" (15 cm) long. Using the bolt down bracket as a template, mark and drill three holes through the blocking board. The blocking board will go underneath the deck and will distribute the compression force created by the fasteners (bolt and nuts)

1



3



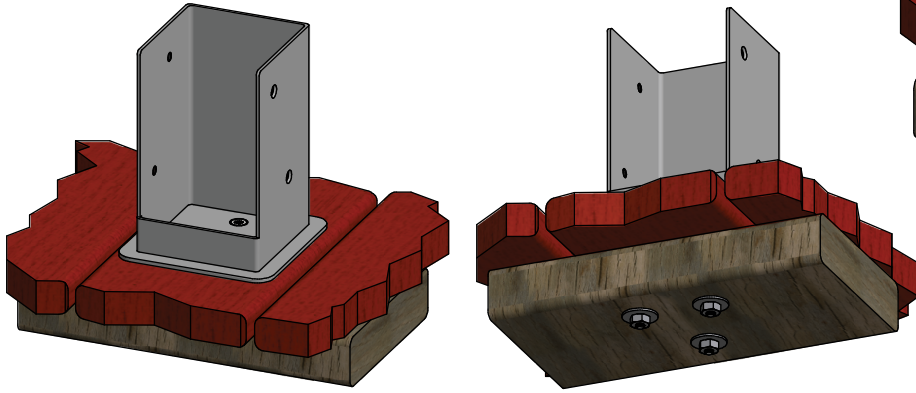
New England
Arbors
Leadership by Design

STEPS

5

Align the holes on the bottom plate of the bolt down bracket, the wood deck, and the blocking board and insert a bolt, washer, and nut as shown aside.

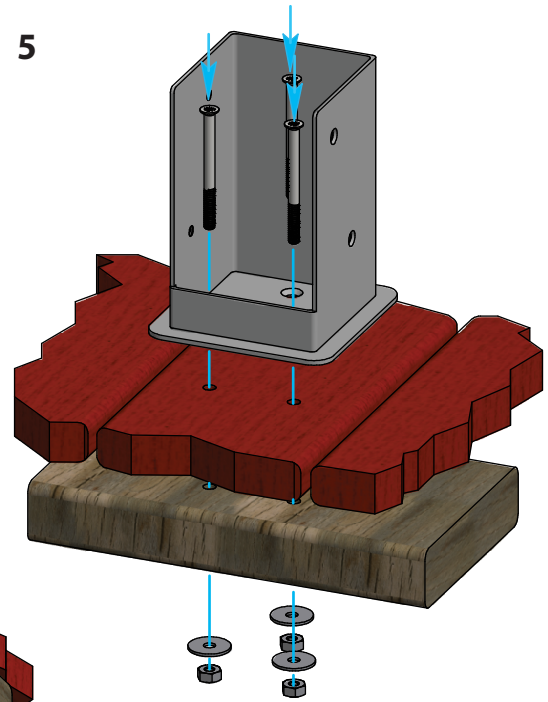
Tighten each bolt with a screwdriver and a wrench.



TOP VIEW

BOTTOM VIEW

5



6

With the four post brackets installed plumb, proceed to set the 4x4 wood post in place. Secure using the screws included in the kit. Repeat for all 4 posts.

7

In order to create a snug fit between the 4x4 (10.6 cm x 10.6 cm) wood posts and the inner cavity of the vinyl posts, it will be necessary to "build out" the posts near the bottom and the top using 1/2"x3x1/2"x12" (1.3 cm x 9 cm x 30.5 cm) shims.

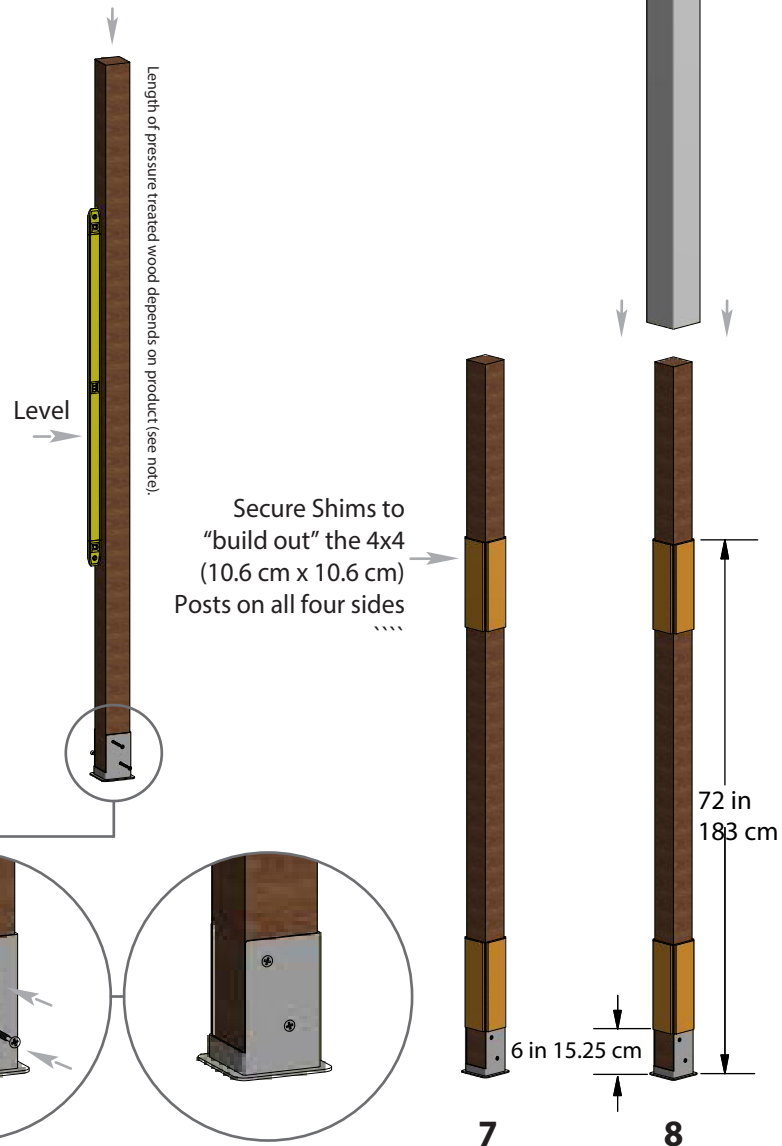
Follow instructions as illustrated.

8

Using a step ladder, guide the bottom vinyl columns over the wood 4x4 (10.6 cm x 10.6 cm) posts.

9

Proceed with assembling and installing your pergola.



New England
Arbors

Leadership by Design

www.newenglandarbors.com
www.newenglandarbors.co.uk