

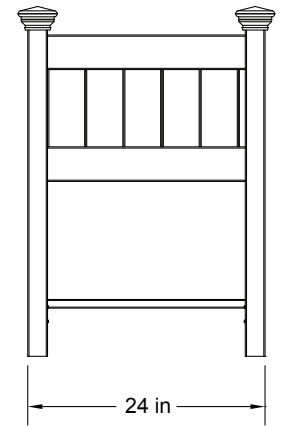
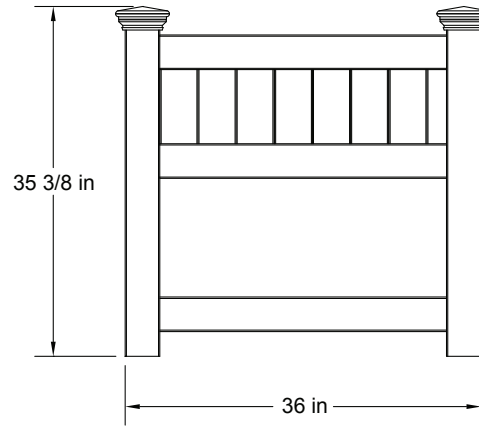
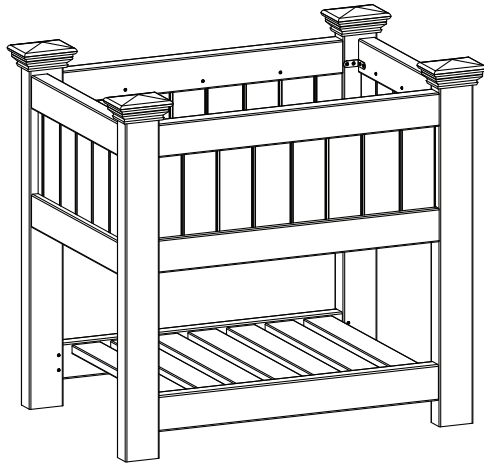
ASSEMBLY INSTRUCTIONS

New England
Arbors

Leadership by Design

www.newenglandarbors.com

The Bloomsbury Raised Planter Box

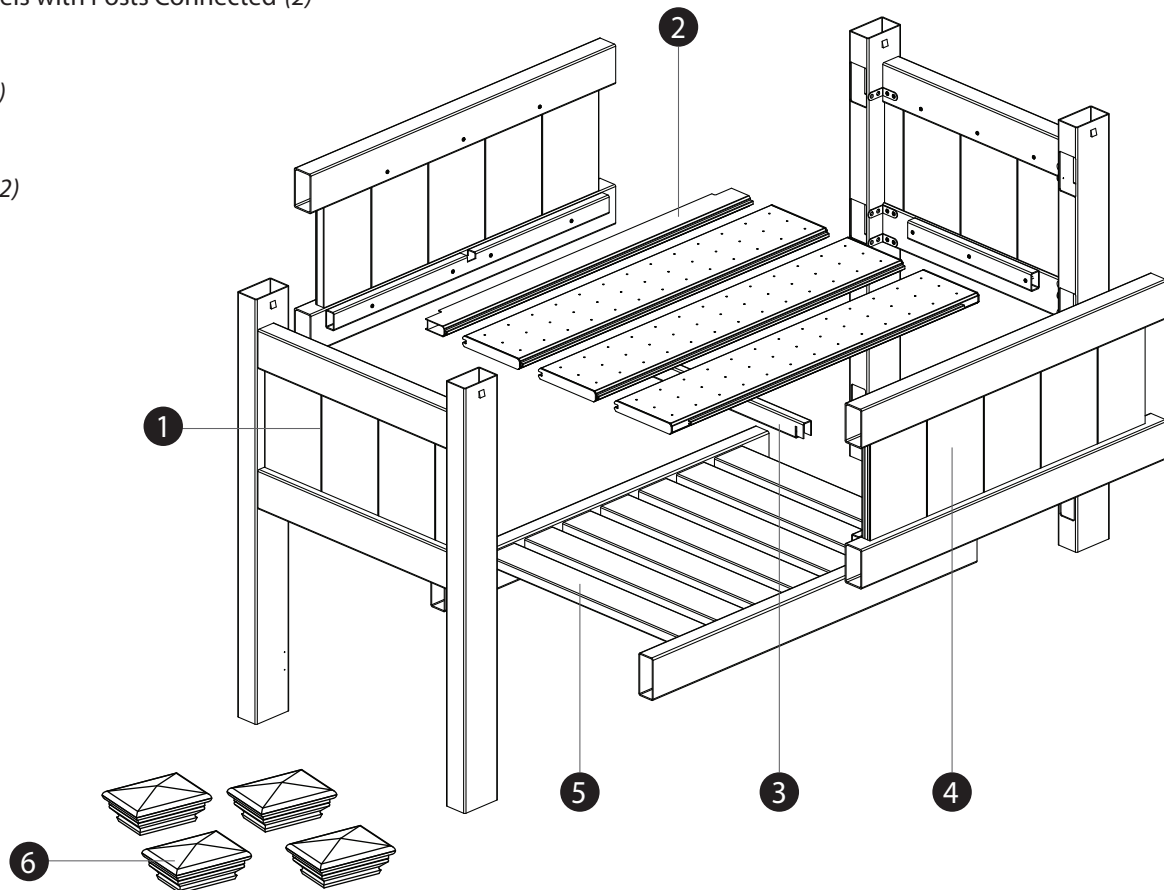


Please read through before starting assembly.

Check Box for These Contents

In the event of missing or defective parts please call our customer service dept. at **1 800 282 9346** (Mon. to Fri. 8:00 AM to 4:00 PM EST).

1. Pre-Assembled Side Wall Panels with Posts Connected (2)
2. Floor Panels (4)
3. Floor Support (1)
4. Front and Back Wall Panels (2)
5. Pre-assembled Shelf (1)
6. Post Caps (4)
7. 5/8" Stainless Steel Screws (32)



General Information

- **Read Instructions through carefully before beginning assembly.**
- When assembling components, place on a non-abrasive surface (i.e. shipping box) to avoid scratching.
- We recommend an area approx 4'x 8' for unobstructed assembling.
- You should not need to use excessive force when assembling components.



7

Not to Scale

Ver 2.0/092915

STEP ONE

1

Align and insert pre-assembled bottom shelf into the routed holes. Do the same for the front and back panels as shown.

Note: Only one side of the shelf rails will bottom out on the post. This is designed to accommodate the attachment of the extension kit (sold separately)

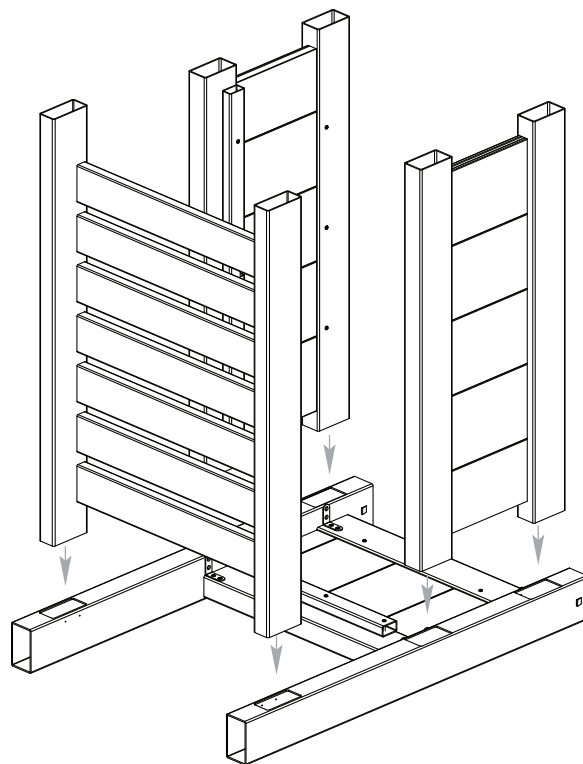
2

Align and insert the second Pre-Assembled Side Wall Panel as shown.

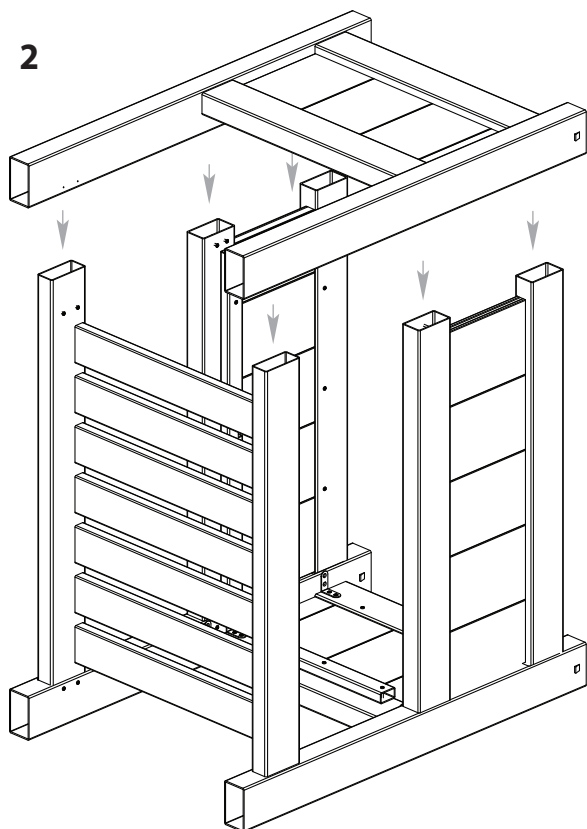
3

Stand the planter box up and fasten the shelf rails to the posts using 8 of the 5/8" screws provided through the pre-drilled holes as shown.

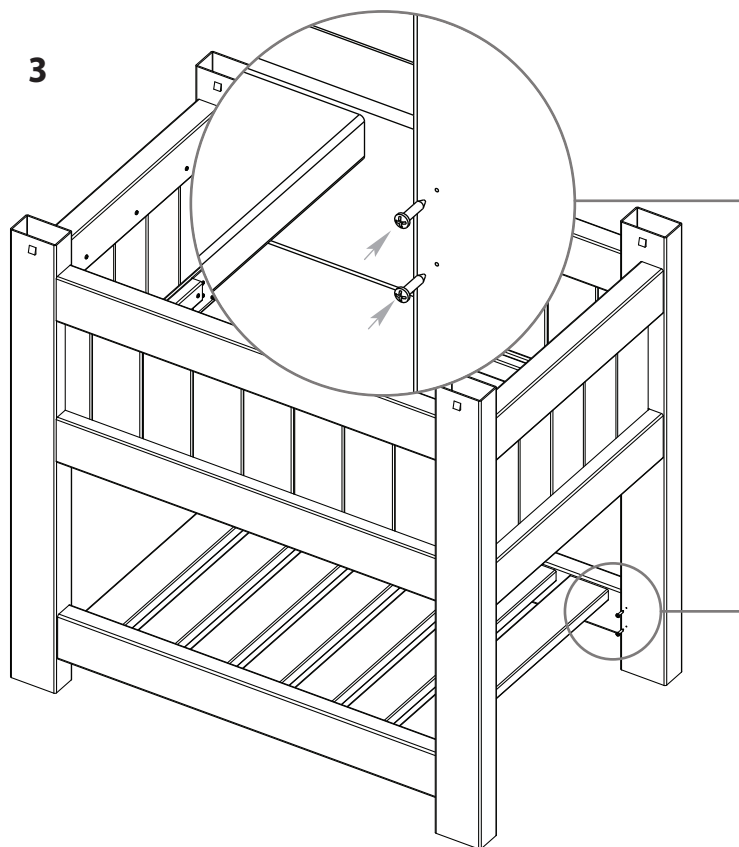
1



2



3



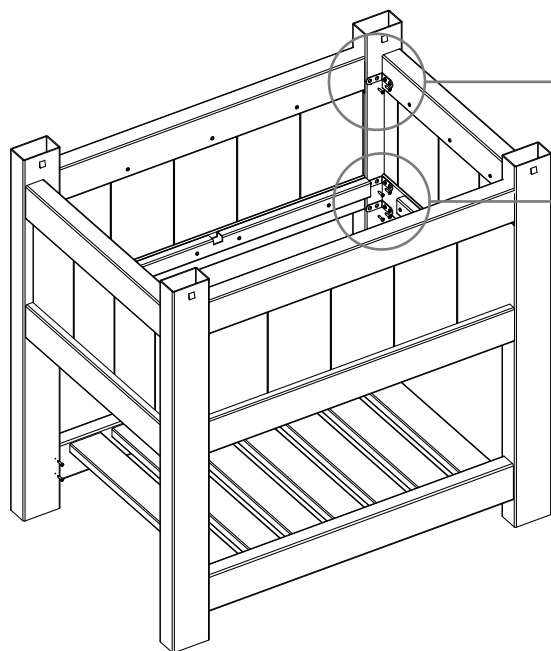
STEP ONE (CONT'D)

4

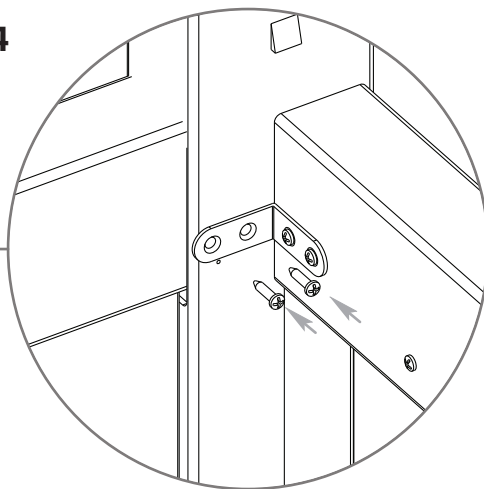
Fasten the top of the walls together using 8 of the 5/8" screws provided into the 4 corner brackets as shown.

5

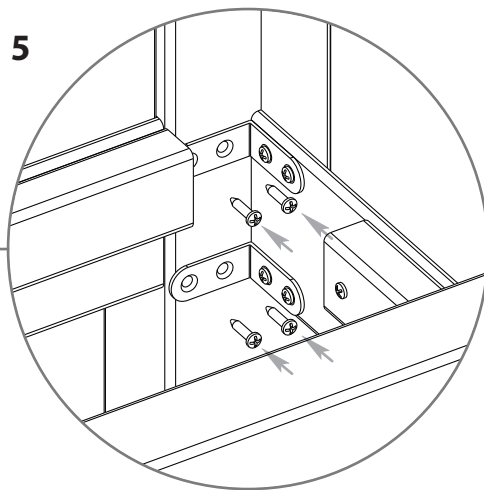
Fasten the bottom corner of the wall panels together using 16 of the 5/8" screws provided into the 8 corner brackets as shown.



4



5

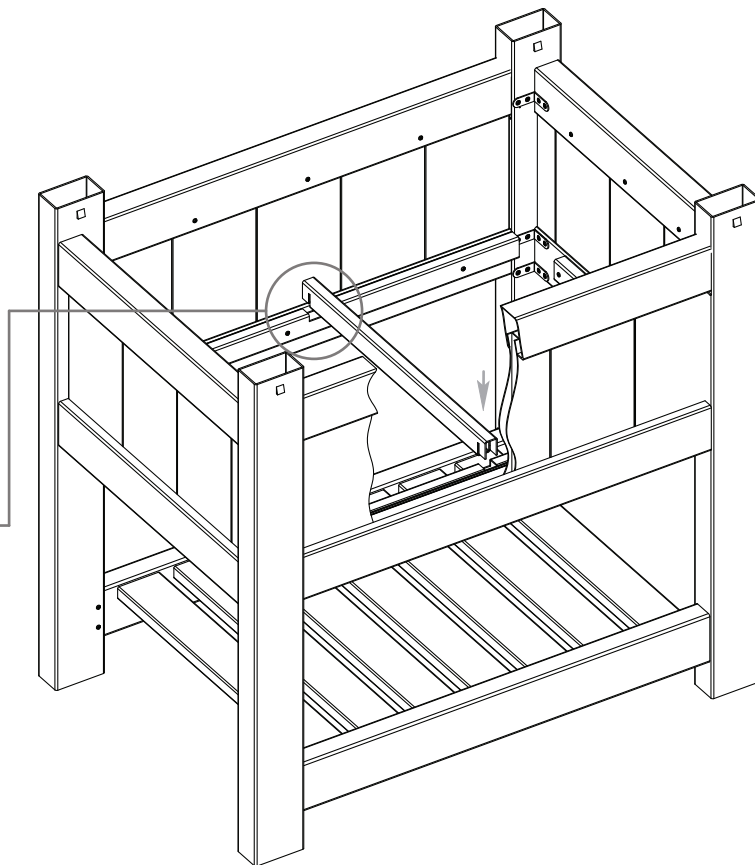
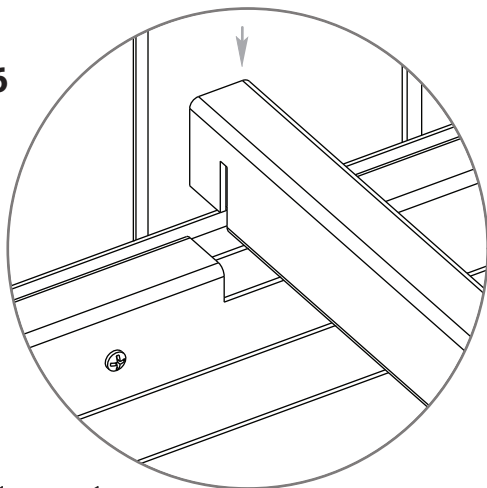


STEP TWO

6

Insert the floor support rail into the front and rear walls as shown. **Note** the notch at the ends of the floor support rail.

6



The Bloomsbury Raised Planter Box

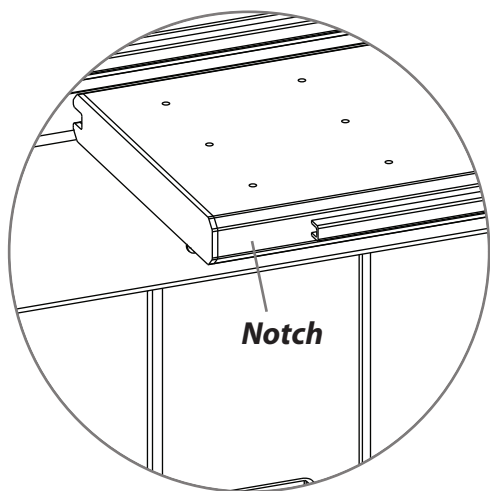
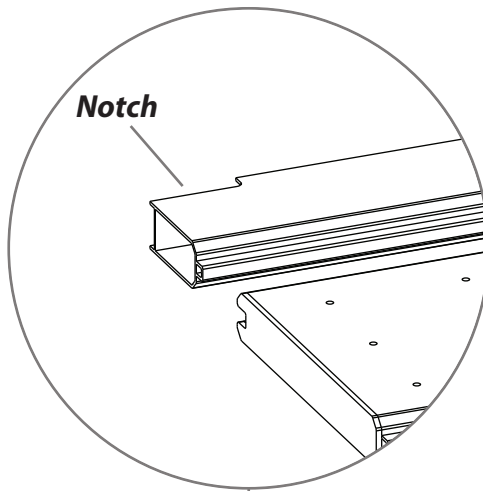
STEP TWO (CONT'D)

7

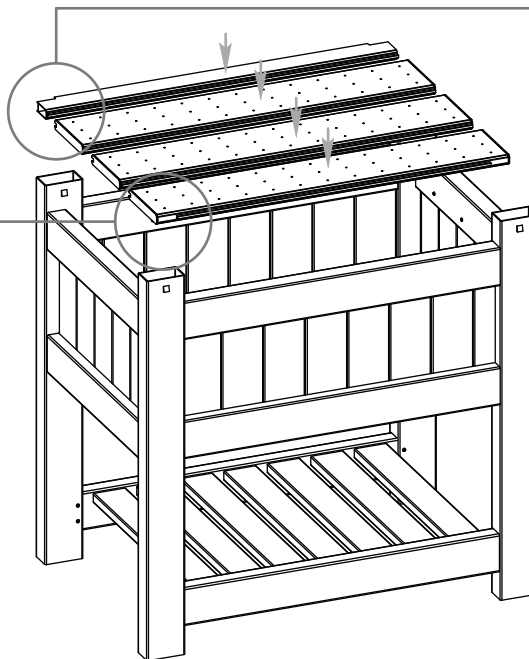
Place the four floor panels onto the floor supports as shown. Note the notches on the one side of the end panels. The notches are to wrap around the posts.

8

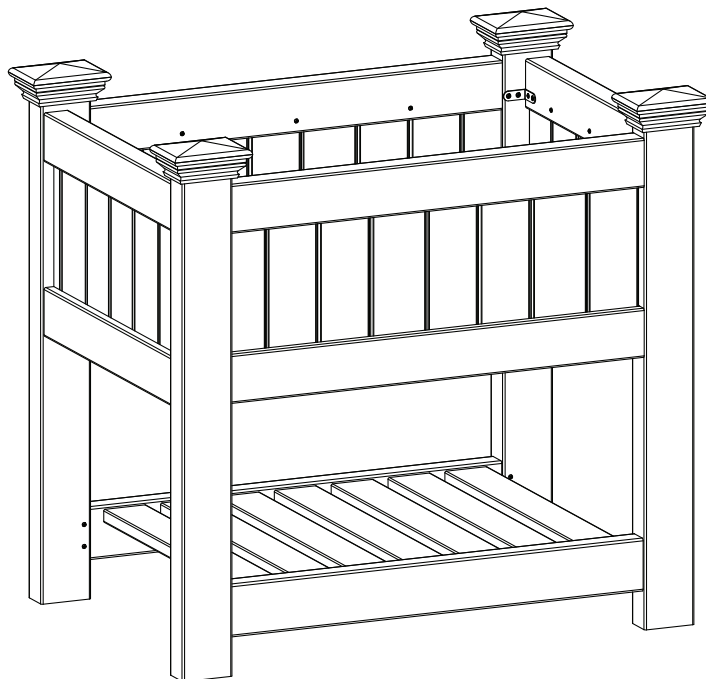
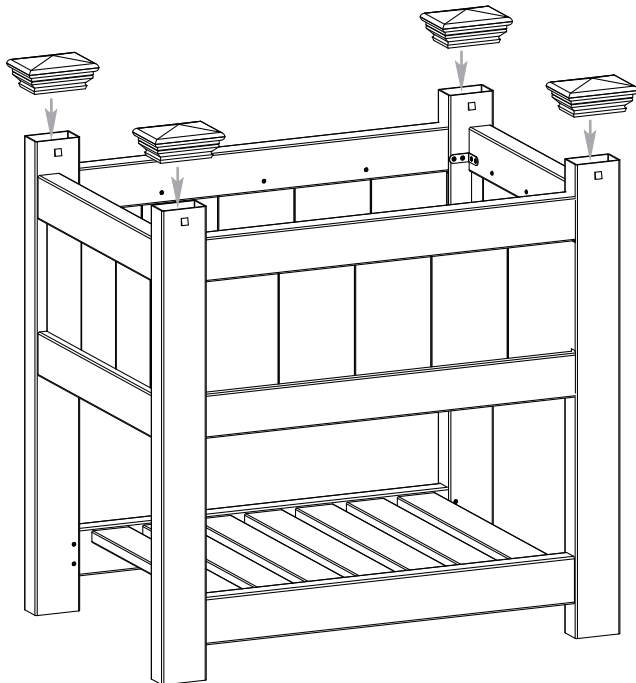
Pressure fit the Post Caps into place. Push firmly until they snap into place.



7



8



New England
Arbors
Leadership by Design
www.newenglandarbors.com