

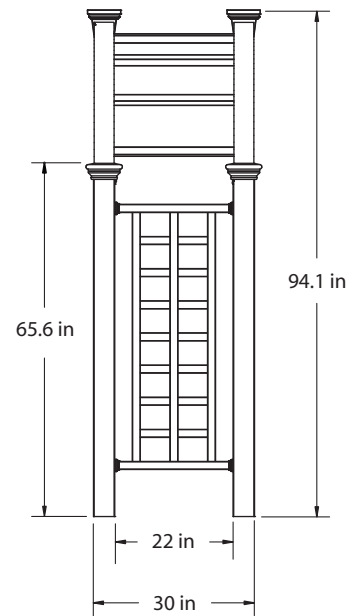
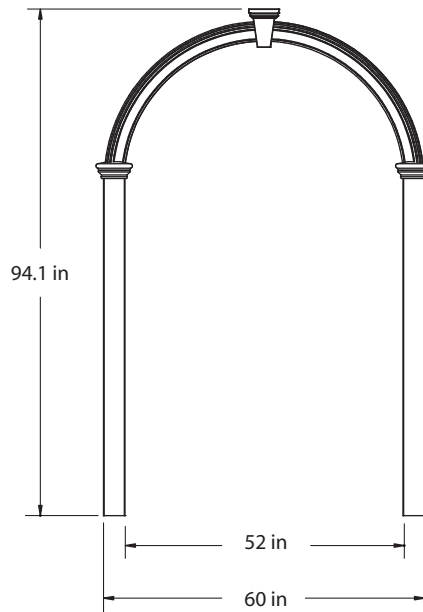
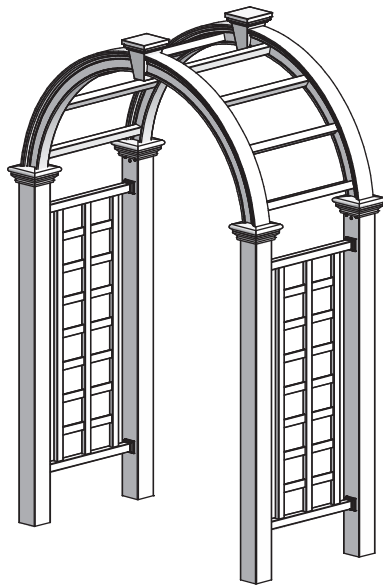
ASSEMBLY INSTRUCTIONS

New England
Arbors

Leadership by Design

www.newenglandarbors.com

The Nantucket Deluxe Arbor



Please read through before starting assembly.

IMPORTANT: CHECK THE INSIDE OF YOUR POSTS FOR ALL MATERIALS.

Check Box for These Contents

In the event of missing or defective parts please call our customer service dept. at **1 800 282 9346** (Mon. to Fri. 8:00 AM to 4:00 PM EST).

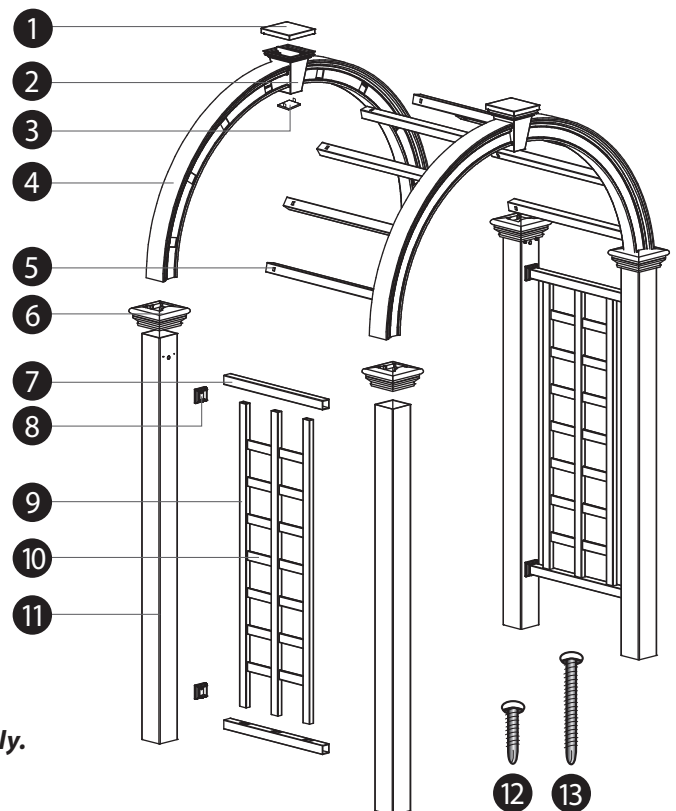
1. Keystone Top Lid with Inserts (2)
2. Arch keystones (2)
3. Keystone Bottom Plate (2)
4. Arches (4)
5. Arch Rafters (8) 1 1/2" x 1 1/2" x 27.9"
6. Post Caps (4)
7. Side Panel Horizontal Rails (4) 1 1/2" x 1 1/2" x 21.75"
8. Sur-Fit Bracket for Side Panel Horizontals (8)
9. Side Panel Vertical Spindles (6) 7/8" x 1 1/2" x 49"
10. Side Panel Horizontal Spindles (14) 1/4" x 1 1/2" x 15.25"
11. Posts (4) 4' x 4' x 65.5"
12. #8 x 1 1/2 in. (3.8 cm.) Stainless Steel Screws (for Sur-Fit Brackets) (24)
13. #8 x 2 1/2 in. (6.4 cm.) Stainless Steel Screws (for Keystone and Arch to Post Connection) (24)

Tools You Will Need

- Hammer
- Tape Measure
- Level
- Stool or Short Ladder
- Shovel or Auger
- Cordless Drill

General Information

- Read Instructions through carefully before beginning assembly.
- When assembling components, place on a non-abrasive surface (i.e. shipping box) to avoid scratching.
- We recommend an area approx 10'x 8' for unobstructed assembling.
- You should not need to use excessive force when assembling components.



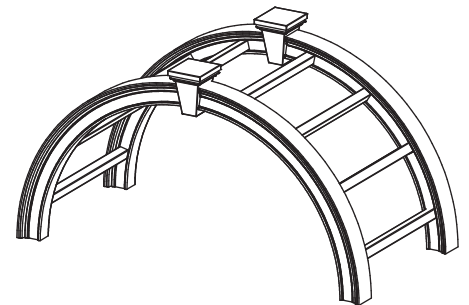
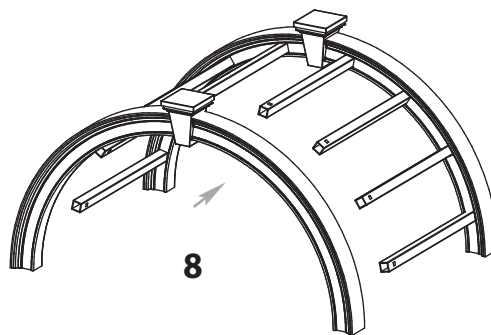
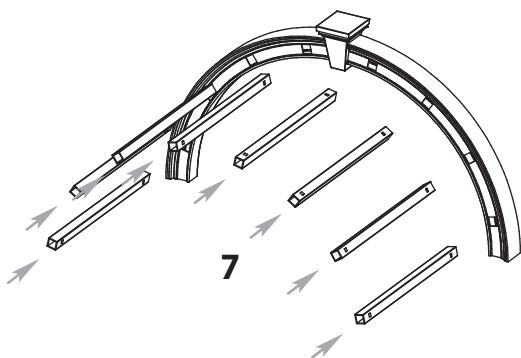
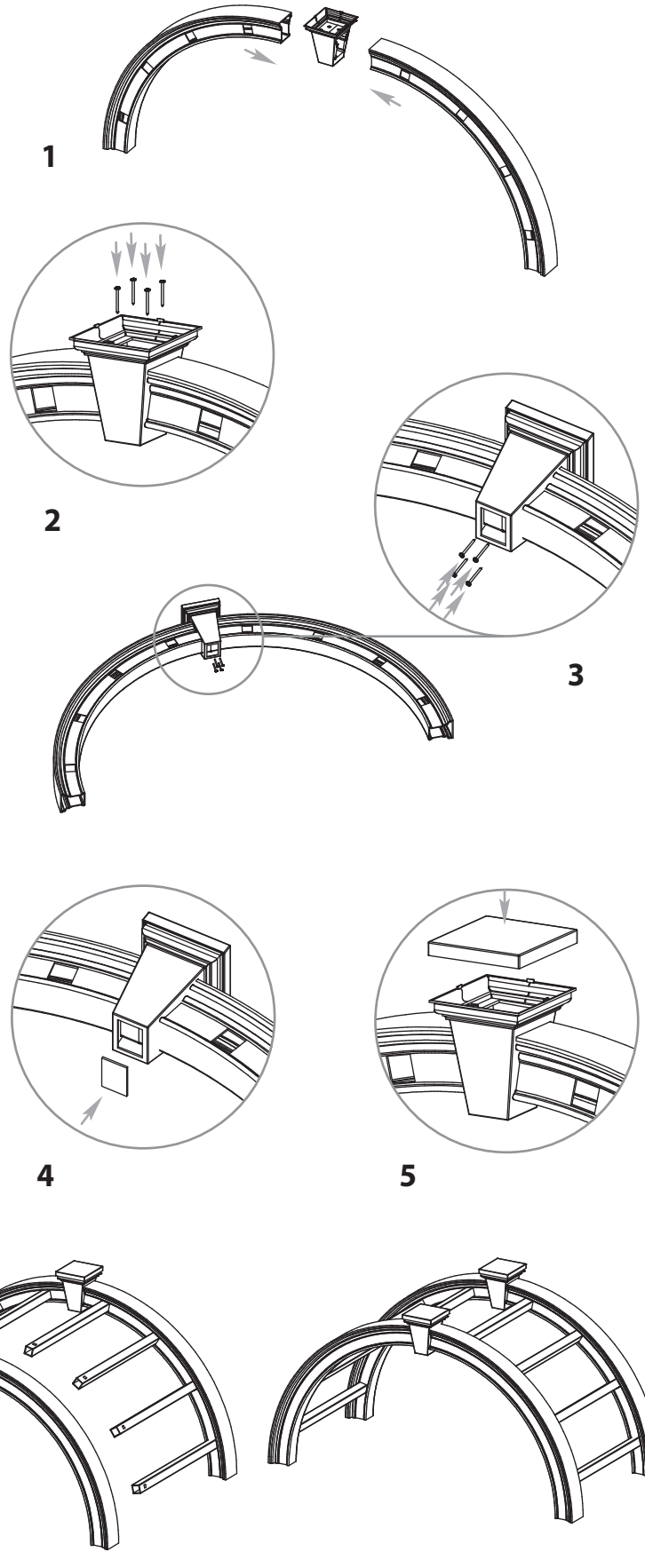
(Not to scale)

STEP ONE

Assemble the Arch System

NOTE: There are locking tabs located at the ends of each rafter. Once inserted and pushed into the routed holes, they will lock into place and cannot be removed.

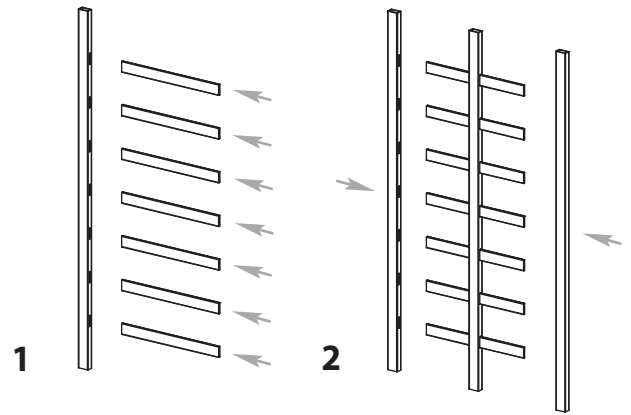
- 1 Insert arches into arch keystone ensuring they terminate flush to the internal connector.
- 2 Fasten the top of the arches to the keystone insert by installing 2 1/2 in. (6.4 cm.) screws into the two flanges on either side of the top of the insert.
- 3 Invert the arch system and install four screws 2 1/2 in. (6.4 cm.) from the bottom of the keystone into the two flanges on either side of the bottom of the insert. This will connect the bottom of the arches to the insert.
- 4 Seal the bottom hole on keystone by inserting the bottom plate as provided.
- 5 Install the top cap on the arch keystone. Ensure keystone cap is pushed down firmly so the cap locks into position.
- 6 Repeat for other arch.
- 7 Insert arch rafters (8) into the holes on the arches until they bottom out inside the arches. There are "locking tabs" located at each end of these rafters that once inserted into the holes will lock into place.
- 8 Fit opposite arch system over rafters.



STEP TWO

Assemble the Side Panels

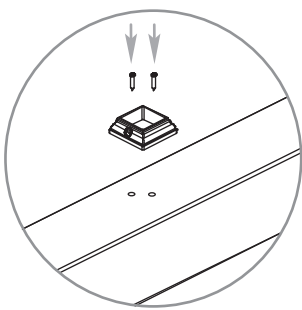
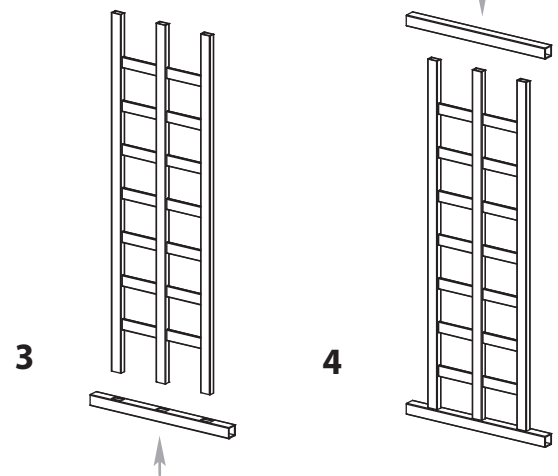
- 1 Insert the horizontal spindles into the middle verticle spindle (holes on both sides).
- 2 Slide the two outer vertical spindles into position as illustrated.
- 3 Layout the bottom horizontal rail and insert the vertical spindles.
- 4 Slide top horizontal rail into position.
- 5 Repeat for other panel.



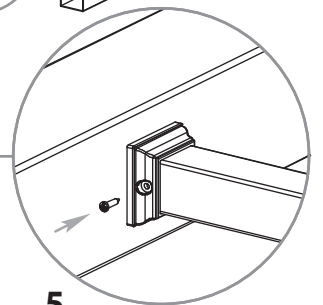
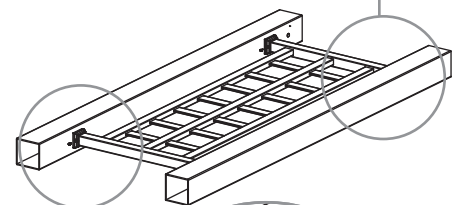
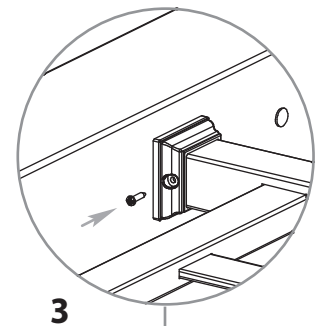
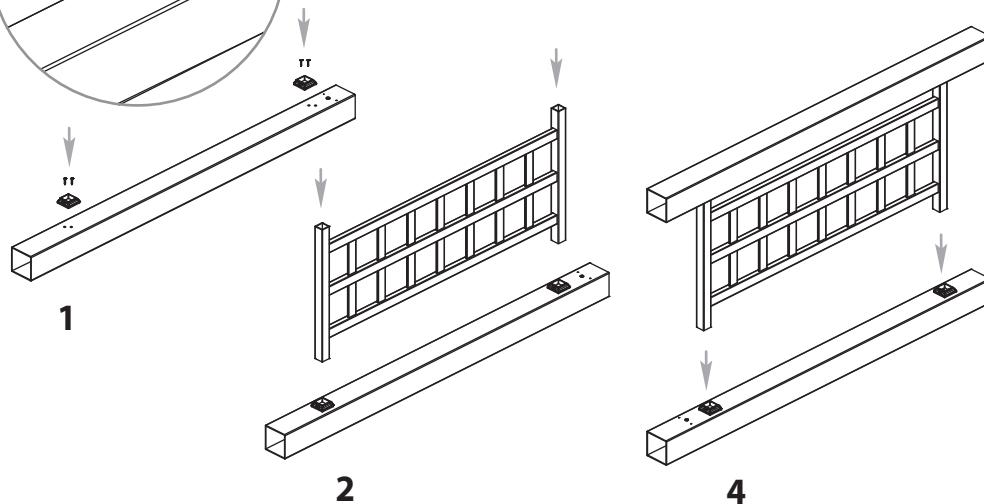
STEP THREE

Attach Sur-Fit Brackets

- 1 Attach Sur-Fit Brackets (using small screws) onto posts using the pre-drilled holes as guides. Single hole on the side of brackets to face down.
- 2 Set out one post and slide the assembled side panel into.
- 3 Fasten horizontal rails into Sur-Fit Brackets using small screws.
- 4 Layout the opposite post and insert the finished side panel with post connected.
- 5 Fasten horizontal rails into Sur-Fit Brackets using small screws.
- 6 Repeat for other side panel.



NOTE: Prior to installing Sur-Fit Brackets, insert a wood 4x4 post approximately 5 ft. (152.4 cm.) up the inside of vinyl cavity [purchase 4x4x8 to accomodate 3 ft. (91.45 cm.) in the ground] if you intend to hang a gate, attach a fence or are located in a high wind area.



STEP FOUR

Install the Side Panels

You have Three Options to Complete this Step.

(All purchased separately)

OPTION ONE - If Your Arbor:

- is going to be installed with fencing or a gate
- is located in a high wind or hurricane area
- is located in ground conditions that are not level

Consider Using:

A - 4x4 Professional Post Extension Kit (30 in./76.2 cm. long), (Kit of 4)

- Purchase from New England Arbors, www.newenglandarbors.com
- Recommended to be installed in concrete footings
- Follow instructions included with the kit

- or -

B - 4 x 4 x 8 Long Wood Post (4)

- Purchase separate from your local lumberyard
- Recommended to be installed in concrete footing

OPTION TWO - If Your Arbor:

- is intended to be used as a stand alone garden accent or pathway
- is located on level ground

Consider Using:

4 x 4 Aussie Augers (Kit of 4)

- Purchase from New England Arbors, www.newenglandarbors.com
- Instructions are included with the kit

OPTION THREE - If Your Arbor:

- is going to be installed onto pre-existing concrete or wood surface

Consider Using:

4 x 4 Surface Mount Kit

- Purchase from New England Arbors, www.newenglandarbors.com
- Follow instructions included with the kit

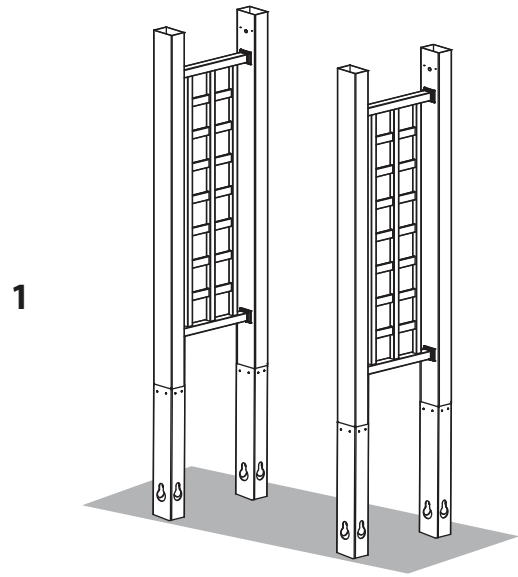
Into Earth with Concrete Footing (Option One)

(Assuming posts have been extended)

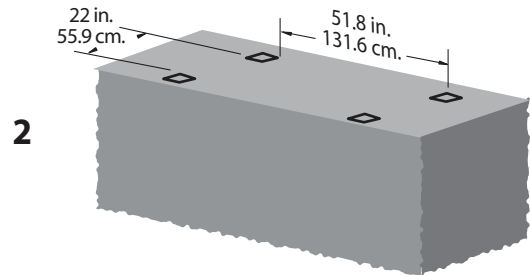
Arbors must be well secured to prevent tipping over from wind load, etc.

- 1** Move the side panels to their final location (*you will need a helper*).
- 2** When you have identified the location of each post, as indicated by the measurements on the first page of these instructions, mark the positions of the posts, then move the panels aside.
- 3** Excavate four holes approx 33 in. (83.8 cm.) deep. The location and excavation of these four holes is the most critical step and should be completed with care. The depth of these holes will allow the post extension (if chosen as option) joint to be hidden 3 in. (7.6 cm.) under the ground.
- 4** Carefully move the side panels back into position and level both horizontal and vertically.
- 5** Check your measurements to confirm posts are placed correctly to receive arch system. **THIS IS A CRITICAL STEP.**

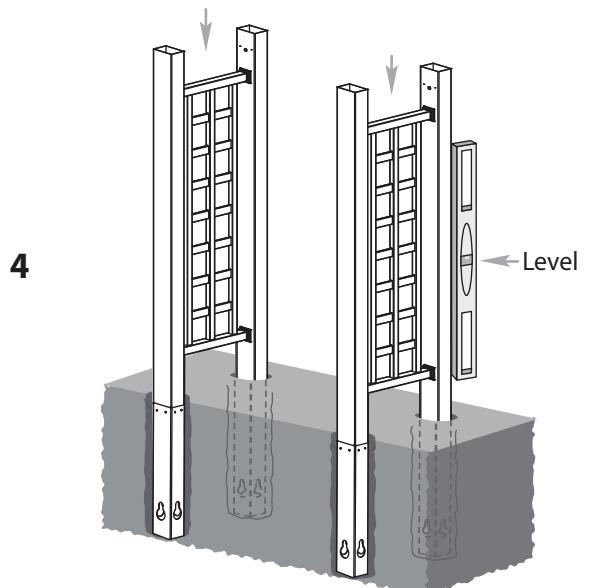
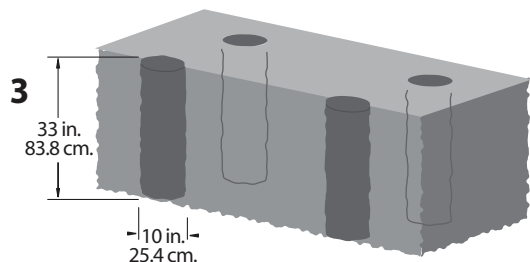
*** Do not backfill the holes with cement at this stage.**



(Posts have been extended with 4x4 Professional Post Extension Kit)



(Measurements shown are inside to inside of posts)

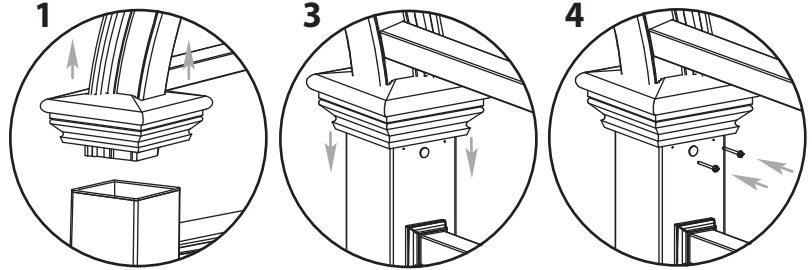


The Nantucket Deluxe Arbor

STEP FIVE

Connect the Arch System to the Side Panels

- 1 Temporarily position post caps on bottoms of arches.
- 2 With a helper, insert the bottom of the arches into the posts until the arch rest on the stopper bolts.
- 3 Slide post caps down into position.
- 4 Install long screws into the two pre-drilled holes per posts.



STEP SIX

Fill Excavated Holes

- 1 Ensure that posts and side panels are level.
- 2 Fill around the posts with wet cement within 3 in. (7.6 cm.) of your natural elevation.
- 3 Complete a final level check both horizontally and vertically, and backfill the remaining space between concrete and natural elevation with topsoil.

