

ASSEMBLY INSTRUCTIONS

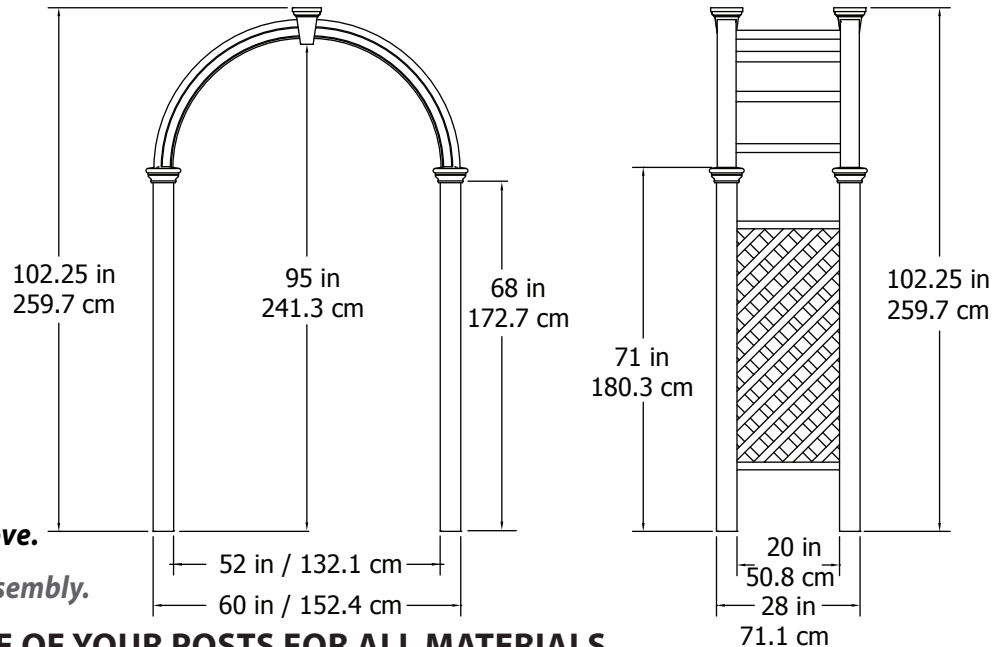
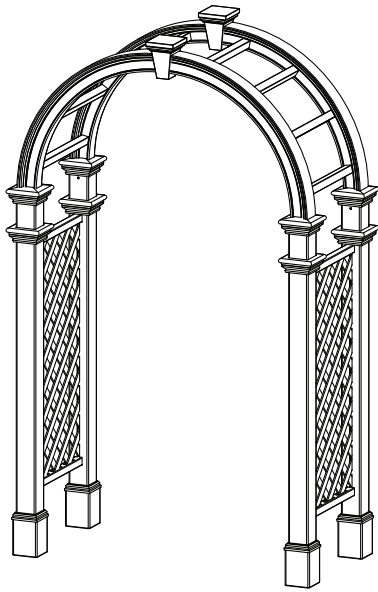
New England
Arbors

Leadership by Design

www.newenglandarbors.com

www.newenglandarbors.co.uk

The Nantucket Legacy Arbor / Arch



***Nantucket Legacy with Trim Kit Shown Above.**

Please read through before starting assembly.

IMPORTANT: CHECK THE INSIDE OF YOUR POSTS FOR ALL MATERIALS.

Check Box for These Contents

In the event of missing or defective parts please call our customer service dept. at **1 800 282 9346** (Mon. to Fri. 8:00 AM to 4:00 PM EST).
(UK Tel: **(44) 2038 687160** - Mon. to Fri. 1:00 PM to 10:00 PM GMT).

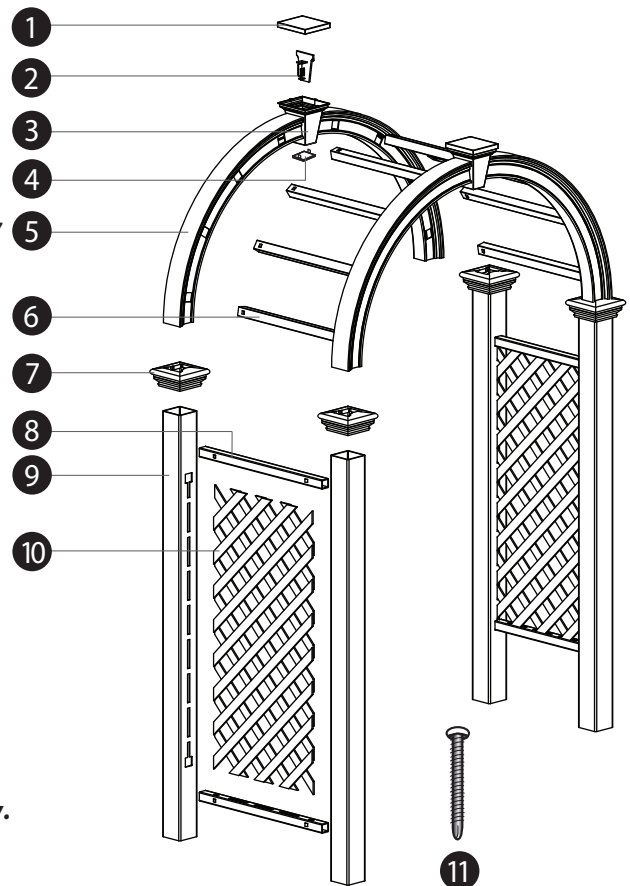
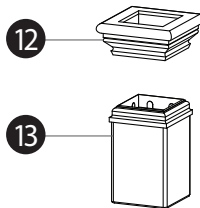
1. Keystone Top Lid (2) - 10710-1
2. Keystone Internal Connectors (2) - 10711-1
3. Arch keystones (2) - 10684-1
4. Keystone Bottom Plate (2) - 10712-1
5. Arches (4) - 10687-1
6. Arch Rafters (8) 1 1/2" x 1 1/2" x 25.9" [3.8 x 3.8 x 65.8 cm] - 10778
7. Post Caps (4) - 10728-1
8. Side Panel Horizontal Rails (4) 1 1/2" x 1 1/2" x 27.7" [3.8 x 3.8 x 70.4 cm] - 10777
9. Posts (4) 4'x4'x70.5" [10.2 x 10.2 x 179.1 cm] - 10775
10. Side Panel Diamond Lattice (2) - 10776
11. #8 x 1 1/2 in. (3.8 cm.) Stainless Steel Screws (for Keystone and Arch to Post Connection) (24) - 20005

If you purchased the arbor / arch along with our decorative trim kit (BP80001), there will be a separate box with the following contents;

12. Post Trim Caps (4)
13. Base Molds (4)

Tools You Will Need

- Hammer
- Tape Measure
- Level
- Stool or Short Ladder
- Shovel or Auger
- Cordless Drill



(Not to scale)

General Information

- **Read Instructions through carefully before beginning assembly.**
- When assembling components, place on a non-abrasive surface (i.e. shipping box) to avoid scratching.
- We recommend an area approx 10'x 8' (3 m x 2.4 m) for unobstructed assembling.
- You should not need to use excessive force when assembling components.

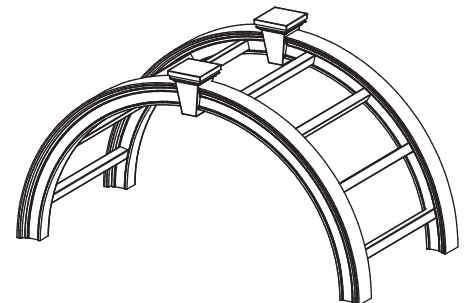
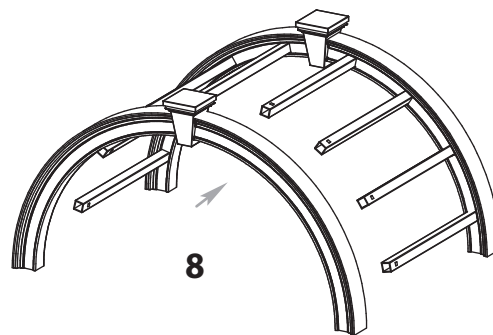
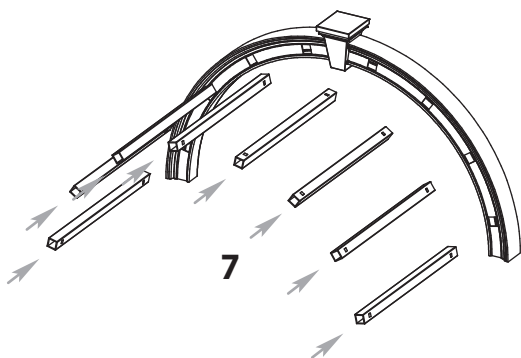
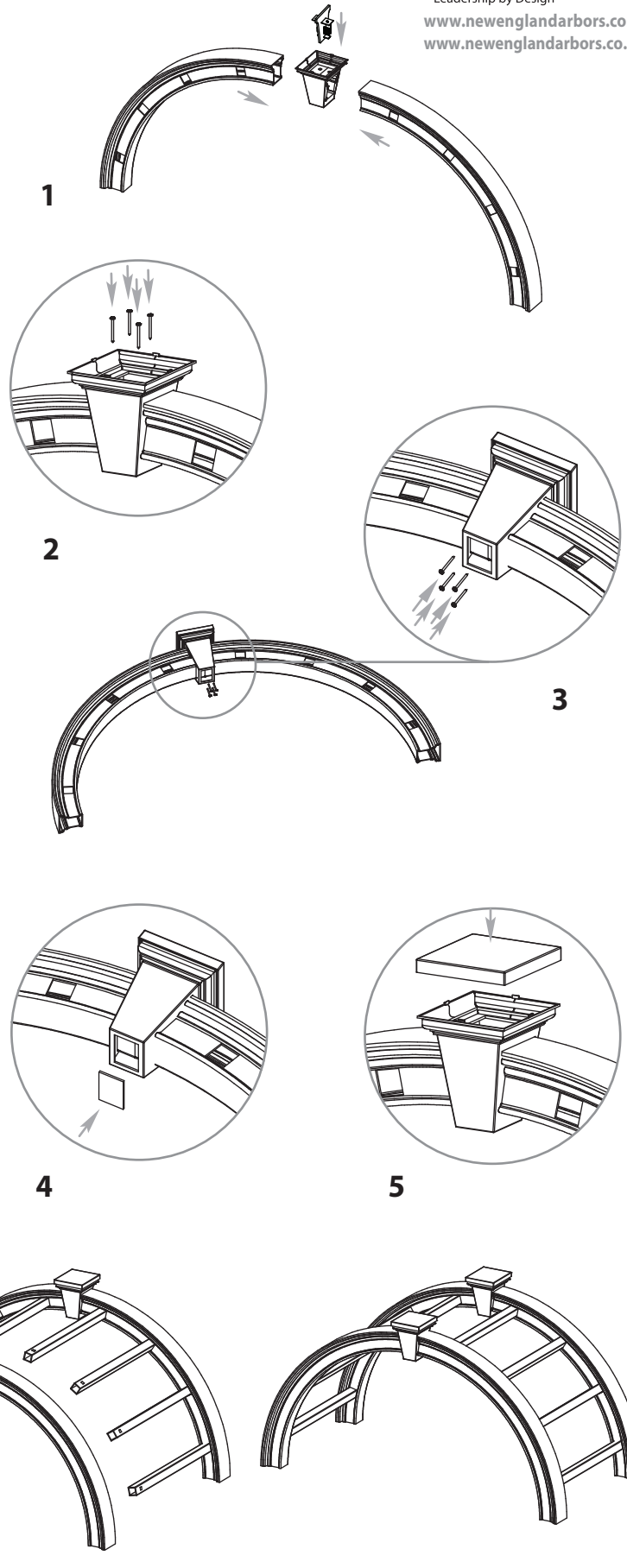
V2.3/020817

STEP ONE

Assemble the Arch System

NOTE: There are locking tabs located at the ends of each rafter. Once inserted and pushed into the routed holes, they will lock into place and cannot be removed.

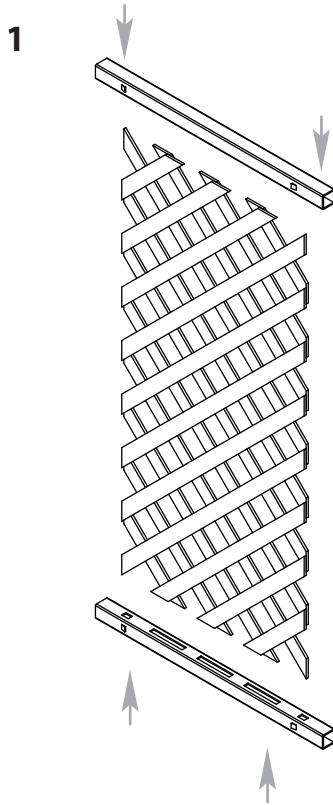
- 1 Insert arches into arch keystone ensuring they terminate flush to the internal connector.
- 2 Fasten the top of the arches to the keystone insert by installing 1 1/2 in. (3.8 cm.) screws into the two flanges on either side of the top of internal connector.
- 3 Invert the arch system and install four screws 1 1/2 in. (3.8 cm.) from the bottom of the keystone into the two flanges on either side of the bottom of the internal connector. This will connect the bottom of the arches to the insert.
- 4 Seal the bottom hole on keystone by inserting the bottom plate as provided.
- 5 Install the top cap on the arch keystone. Ensure keystone cap is pushed down firmly so the cap locks into position.
- 6 Repeat for other arch.
- 7 Insert arch rafters (8) into the holes on the arches until they bottom out inside the arches. There are "locking tabs" located at each end of these rafters that once inserted into the holes will lock into place.
- 8 Fit opposite arch system over rafters.



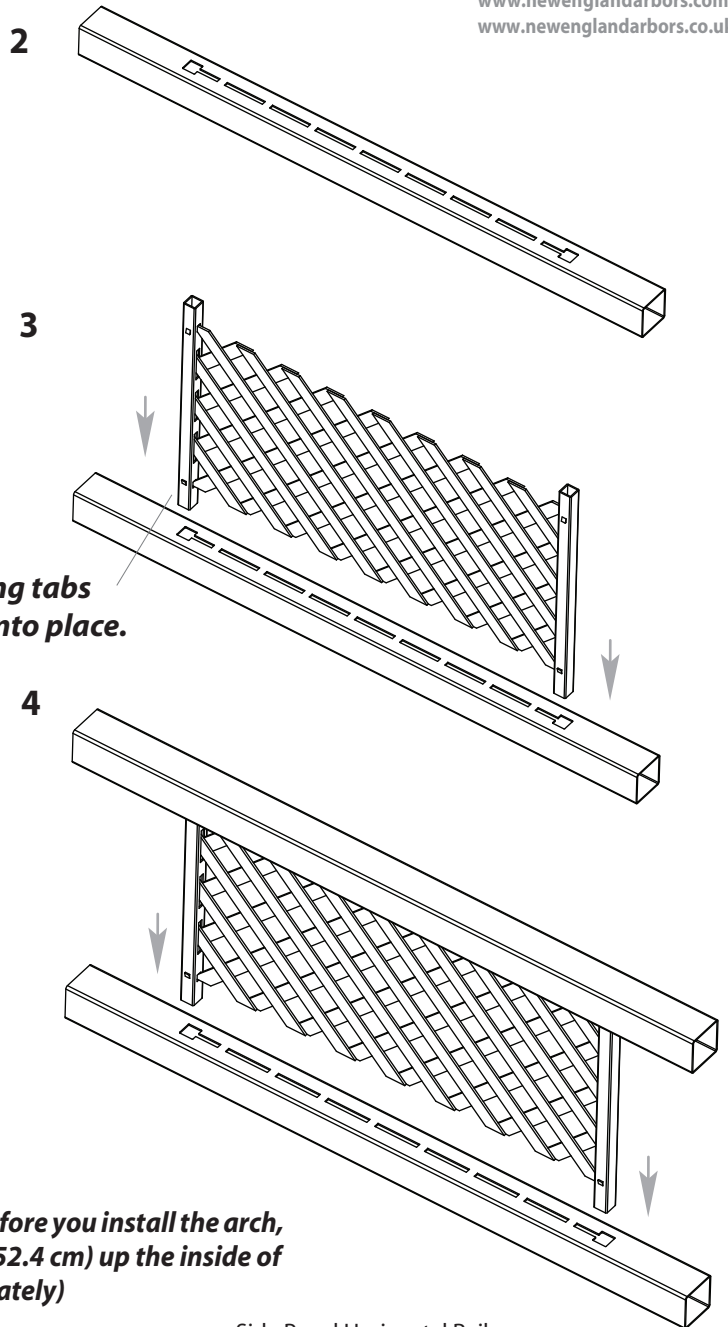
STEP TWO

Assemble the Side Panels

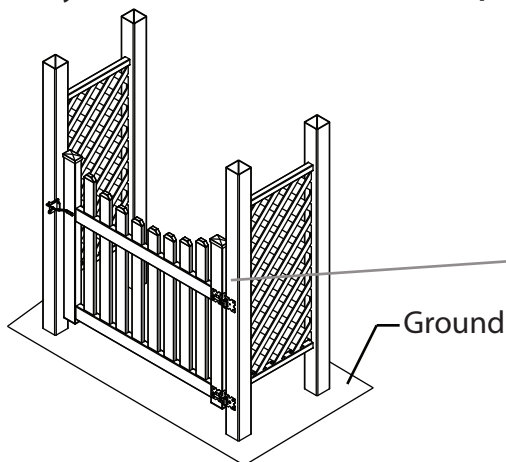
- 1 Insert the Lattice into the horizontal rails as illustrated.
- 2 Lay post on flat surface with holes facing up.
- 3 Insert assembled panel into post. Push until tabs lock into place.
- 4 Layout opposite post and insert the side panel assembly as shown.



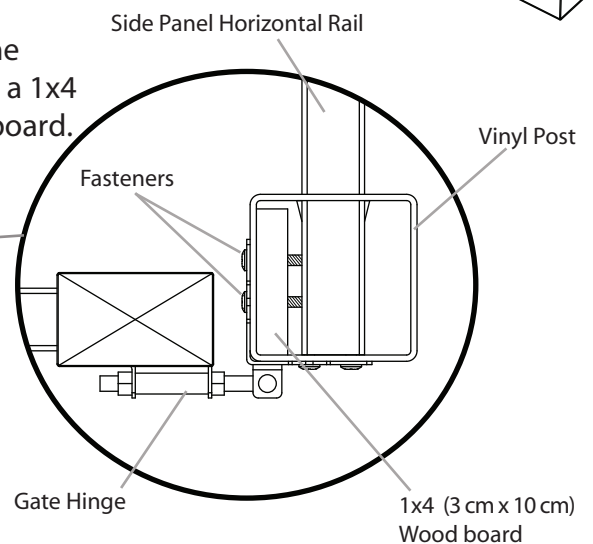
Push until locking tabs on rails "snap" into place.



NOTE: if you intend to install a gate or wings from the arch, before you install the arch, insert a 1 x 4 (3 cm x 10 cm) wood board approximately 5 ft. (152.4 cm) up the inside of vinyl cavity. (1 x 4 (3 cm x 10 cm) wood board purchased separately)



A top view showing the cavity of the post with a 1x4 (3 cm x 10 cm) wood board.



Shown with gate (purchased separately)

STEP THREE

Install the Side Panels

You have Three Options to Complete this Step.

(All purchased separately)

OPTION ONE - If Your Arch:

- is going to be installed with fencing or a gate
- is located in a high wind or hurricane area
- is located in ground conditions that are not level

Consider Using:

A - 4x4 Professional Post Extension Kit (30 in./76.2 cm. long), (Kit of 4)

- Purchase from New England Arbors, www.newenglandarbors.com
- Recommended to be installed in concrete footings
- Follow instructions included with the kit

- or -

B - 4 x 4 x 4' Long Wood Post (4)

- Purchase separate from your local lumberyard
- Recommended to be installed in concrete footing

OPTION TWO - If Your Arch:

- is intended to be used as a stand alone garden accent or pathway
- is located on level ground

Consider Using:

4 x 4 Aussie Augers (Kit of 4)

- Purchase from New England Arbors, www.newenglandarbors.com
- Instructions are included with the kit

OPTION THREE - If Your Arch:

- is going to be installed onto pre-existing concrete or wood surface

Consider Using:

4 x 4 Surface Mount Kit

- Purchase from New England Arbors, www.newenglandarbors.com
- Follow instructions included with the kit

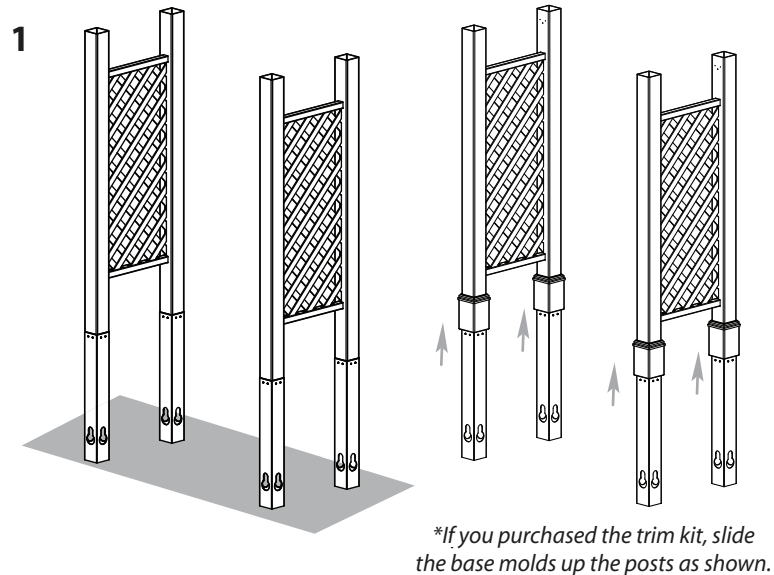
Into Earth with Concrete Footing (Option One)

(Assuming posts have been extended)

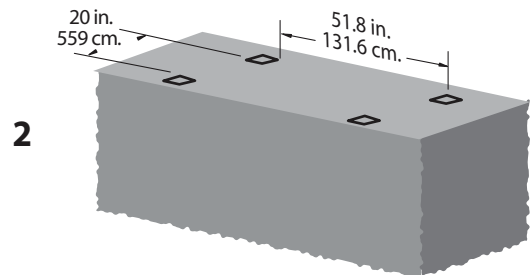
Arch must be well secured to prevent tipping over from wind load, etc.

- 1** Move the side panels to their final location (you will need a helper). If you purchased the trim kit, slide base molds up the post as shown.
- 2** When you have identified the location of each post, as indicated by the measurements on the first page of these instructions, mark the positions of the posts, then move the panels aside.
- 3** Excavate four holes approx 33 in. (83.8 cm.) deep. The location and excavation of these four holes is the most critical step and should be completed with care. The depth of these holes will allow the post extension (if chosen as option) joint to be hidden 3 in. (7.6 cm.) under the ground.
- 4** Carefully move the side panels back into position and level both horizontal and vertically.
- 5** Check your measurements to confirm posts are placed correctly to receive arch system. **THIS IS A CRITICAL STEP.**

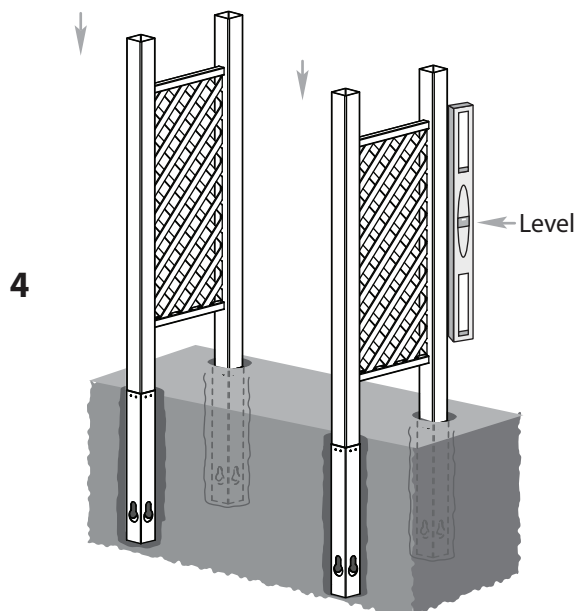
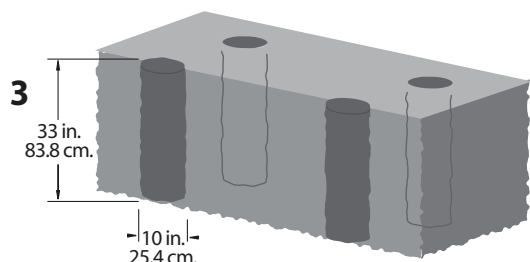
*** Do not backfill the holes with cement at this stage.**



(Posts have been extended with 4x4 Professional Post Extension Kit)



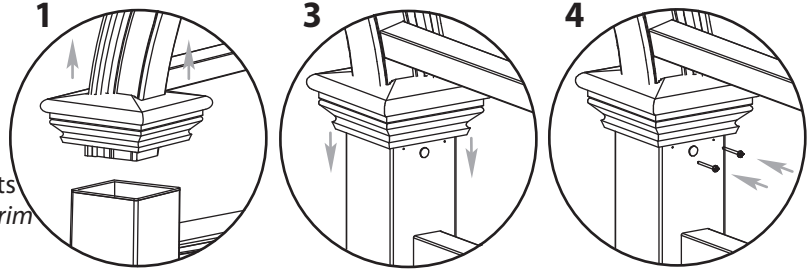
(Measurements shown are inside to inside of posts)



STEP FOUR

Connect the Arch System to the Side Panels

- 1 Temporarily position post caps on bottoms of arches.
- 2 With a helper, insert the bottom of the arches into the posts until the arch rest on the stopper bolts. * If you purchased trim kit, slide the post trim caps down the posts before the arch.
- 3 Slide post caps down into position.
- 4 Install 2 - 1 1/2" (3.8 cm) screws into the two pre-drilled holes per posts.



*If you purchased the trim kit, slide the post trim caps down the posts as shown before the arch.

STEP FIVE

Fill Excavated Holes

- 1 Ensure that posts and side panels are level.
- 2 Fill around the posts with wet cement within 3 in. (7.6 cm.) of your natural elevation.
- 3 Complete a final level check both horizontally and vertically, and backfill the remaining space between concrete and natural elevation with topsoil.

