

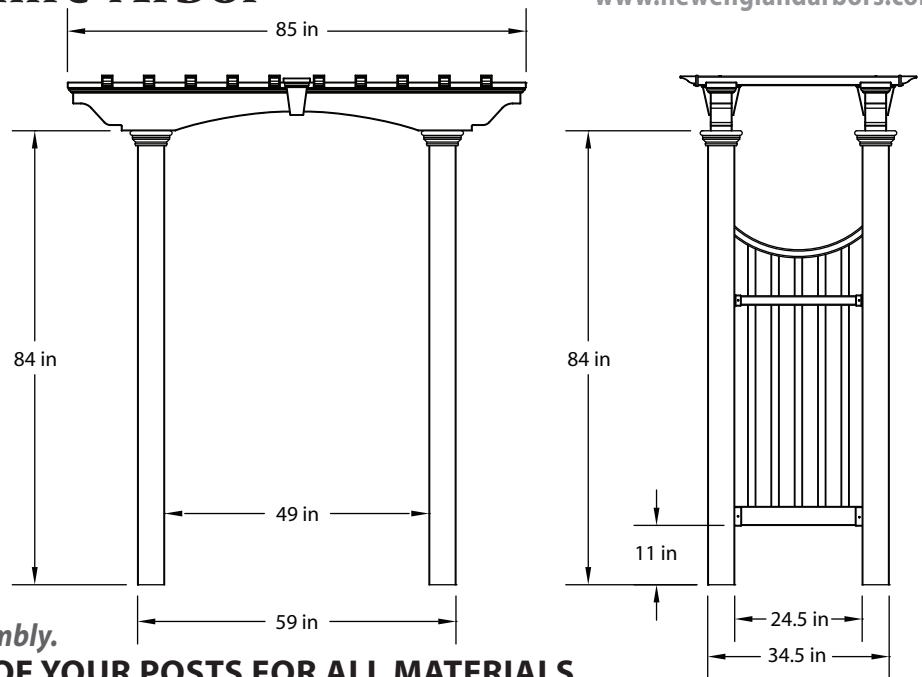
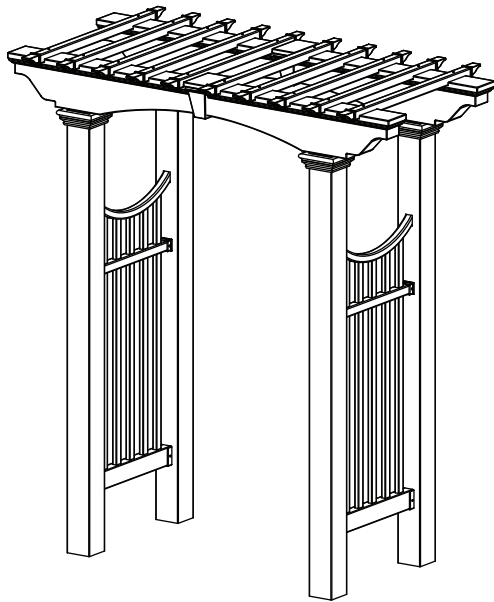
# ASSEMBLY INSTRUCTIONS

New England  
Arbors

Leadership by Design

www.newenglandarbors.com

## The Devonshire Arbor



Please read through before starting assembly.

**IMPORTANT: CHECK THE INSIDE OF YOUR POSTS FOR ALL MATERIALS.**

### Check Box for These Contents

In the event of missing or defective parts please call our customer service dept. at **1 800 282 9346** (Mon. to Fri. 8:00 AM to 4:00 PM EST).

1. Rafter End Caps (20)
2. Arch Rafters (10)
3. Arches (4)
4. Arch Couplers (4)
5. Post Trims (4)
6. Keystone Cap (2)
7. Keystone Body (2)
8. Side Panel Curved Top-Rails (2)
9. Side Panel Vertical Spindles - 52.75 (4)
10. Side Panel Vertical Spindles - 51.5 in (4)
11. Side Panel Vertical Spindles - 51 in (2)
12. 1 3/4 in square brackets (4)
13. Side Panel Middle Rail (2)
14. Posts (4)
15. 2 in x 3.5 in Brackets (4)
16. Side Panel Bottom Rails (2)
17. 3/4 in Stainless Steel Screws (32)
18. 1 1/2 in Stainless Steel Screws (16)
19. 3 in Stainless Steel Screws (36)
20. Tubes of Vinyl Glue (2)

### Material You Will Need (Not Included)

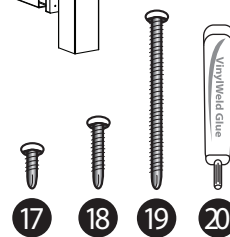
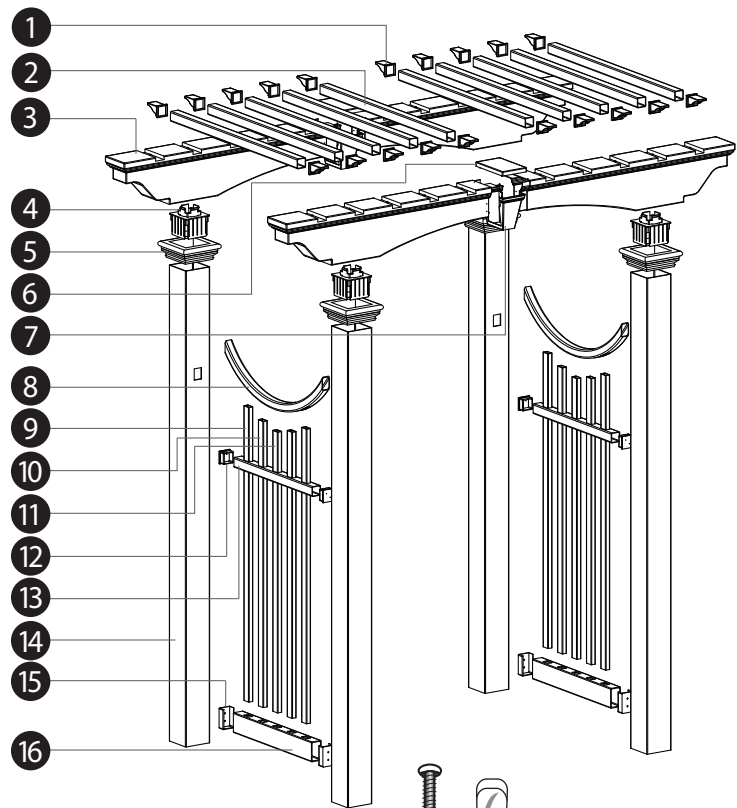
- 4 in x 4 in x 8 ft Pressure Treated Lumber (4)

### Tools You Will Need

- Hammer
- Tape Measure
- Level
- Stool or Short Ladder
- Shovel or Auger
- Cordless Drill

### General Information

- Read Instructions through carefully before beginning assembly.
- When assembling components, place on a non-abrasive surface (i.e. shipping box) to avoid scratching.
- We recommend an area approx 10'x 8' for unobstructed assembling.
- You should not need to use excessive force when assembling components.



(Not to scale)

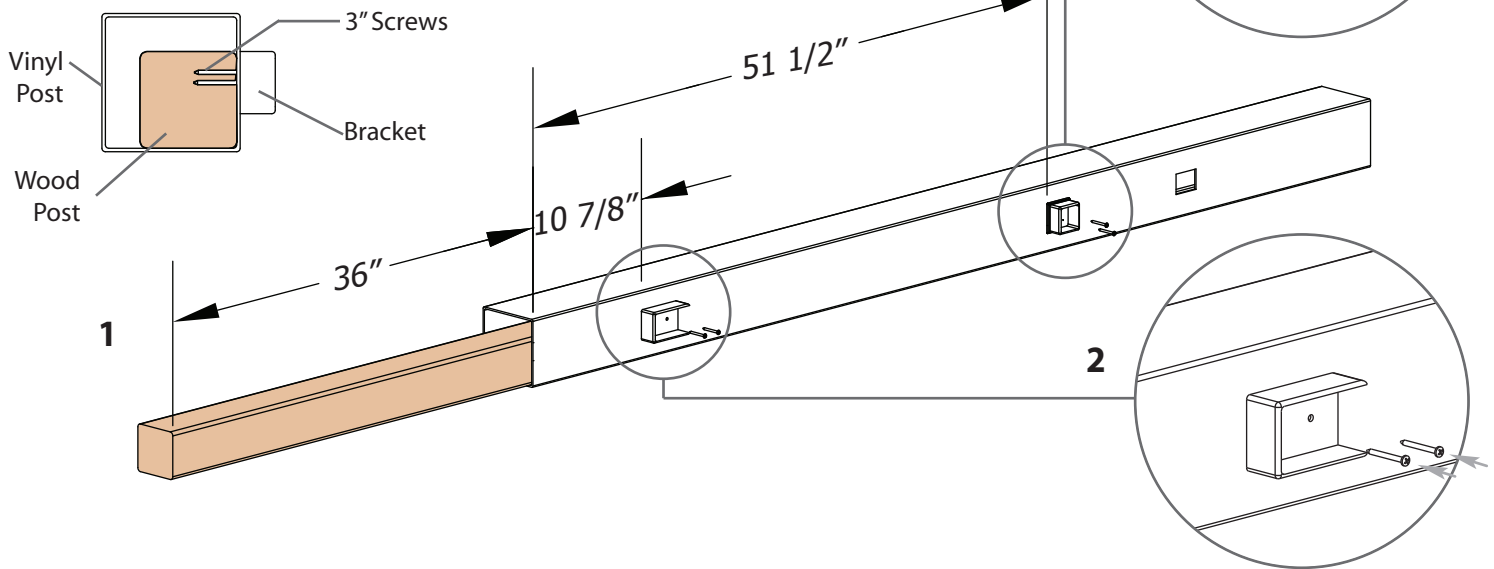
V1.5/031416

# STEP ONE

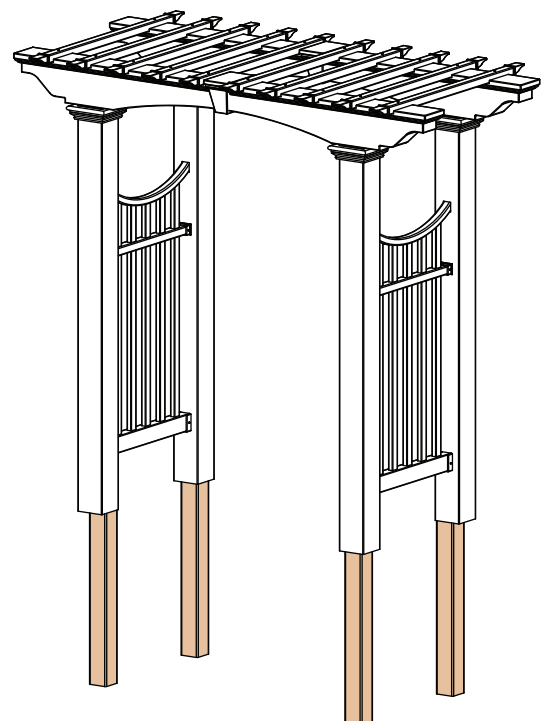
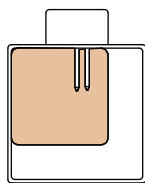
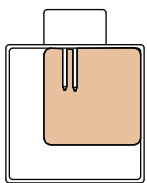
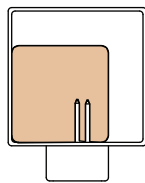
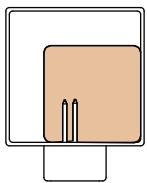
## Assemble the Posts

- 1 Lay down one of the post on its side as shown and insert the 4x4 Pressure Treated Lumber 60" into the post (36" out).
- 2 Mount the 2 x 3 1/2 and 1 3/4 x 1 3/4 Brackets onto the post at 10 7/8" and 51 1/2" respectively from the bottom of the post\*. Use the provided 3" Screws (2 per bracket). Ensure the opening of the 2 x 3 1/2 bracket is facing up.  
**\*Note: Measurements are from the bottom of the post to the bottom of each bracket.**

Bottom View of Post



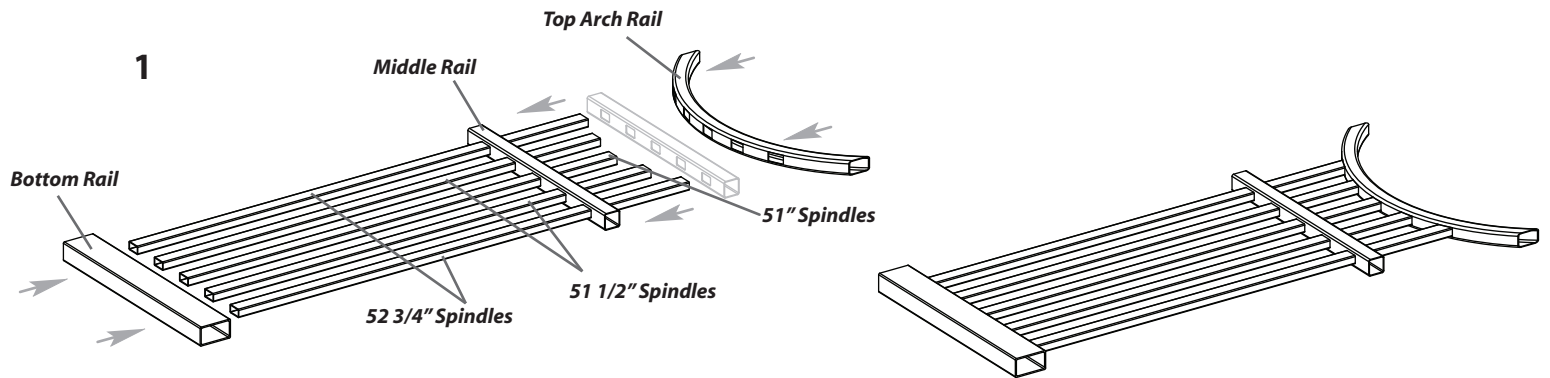
- 3 Repeat for all four posts. Note the location of the wood posts as they should be symmetrical and opposite to each other. Consult the below diagram for reference.



## STEP TWO

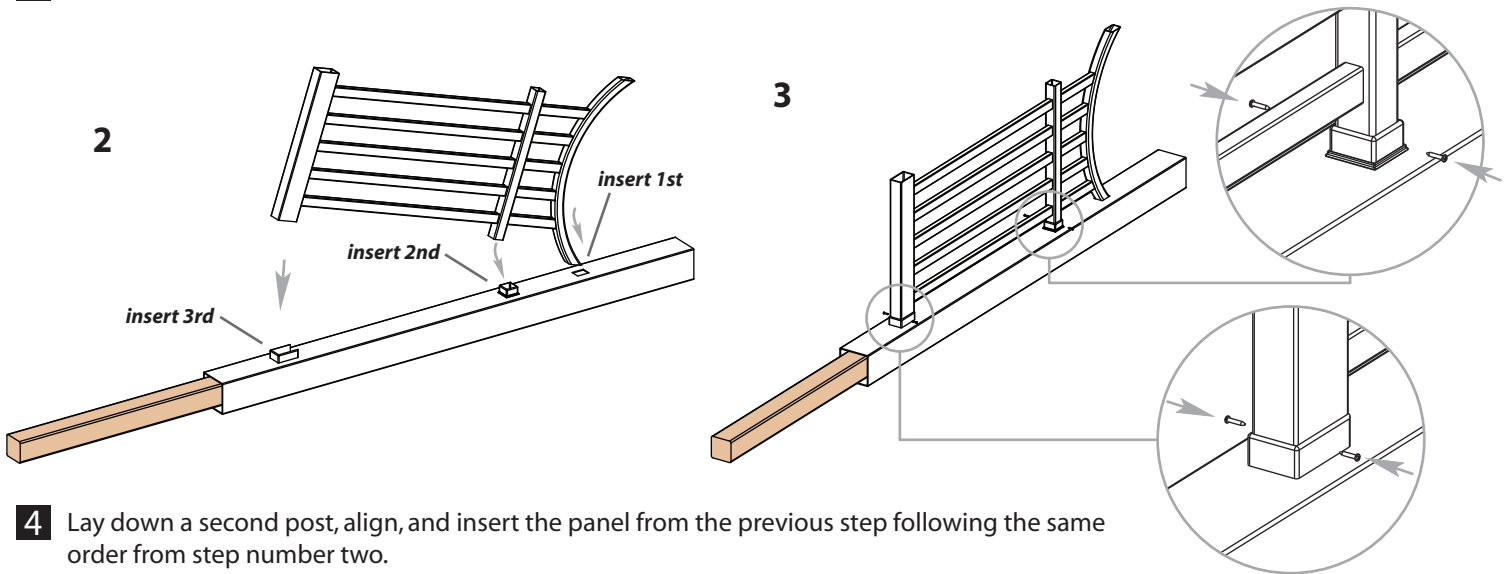
### Assemble Side Panels

- 1** Assemble the side panel together as shown. You will need 1 x Bottom Rail, 1 x Middle Rail, 1 x Top Arch Rail and 5 x Vertical Spindles. *Note the three different lengths of the Vertical Spindles.*



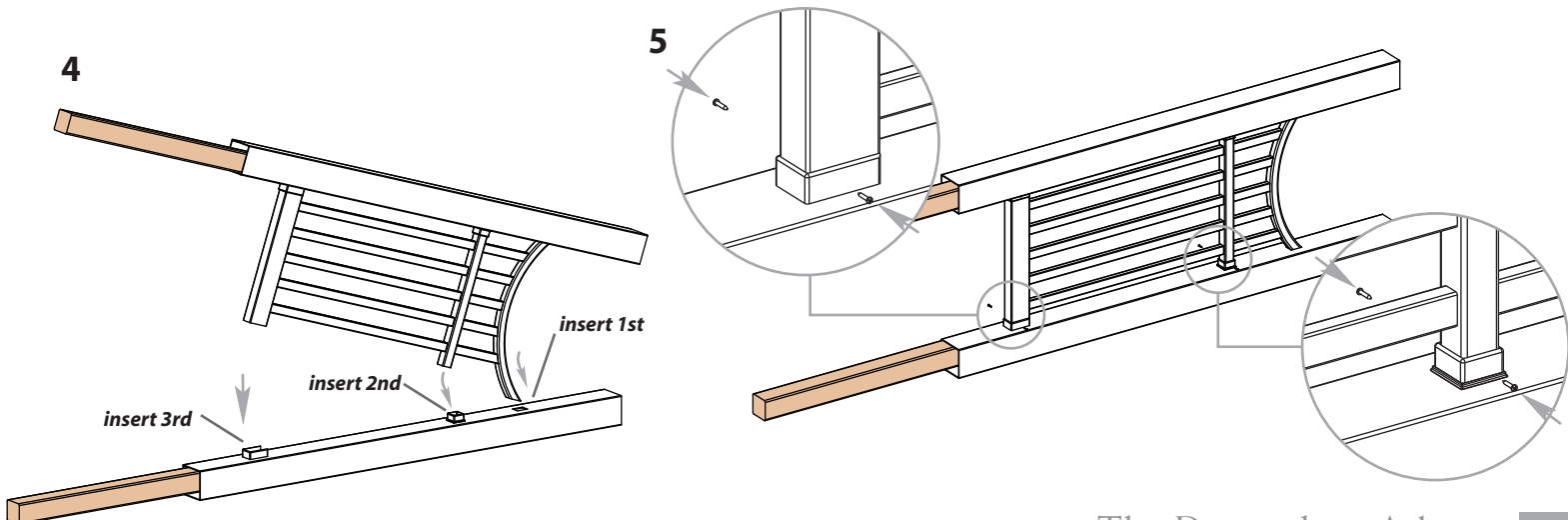
- 2** Carefully navigate the side panel assembly on top of a post as shown below. Assemble by firstly inserting the Top Arch Rail into the routed hole, followed by the middle rail and bottom rail.

- 3** Fasten the rails into its corresponding bracket using the 3/4" screws provided (2 screws per bracket) as shown.



- 4** Lay down a second post, align, and insert the panel from the previous step following the same order from step number two.

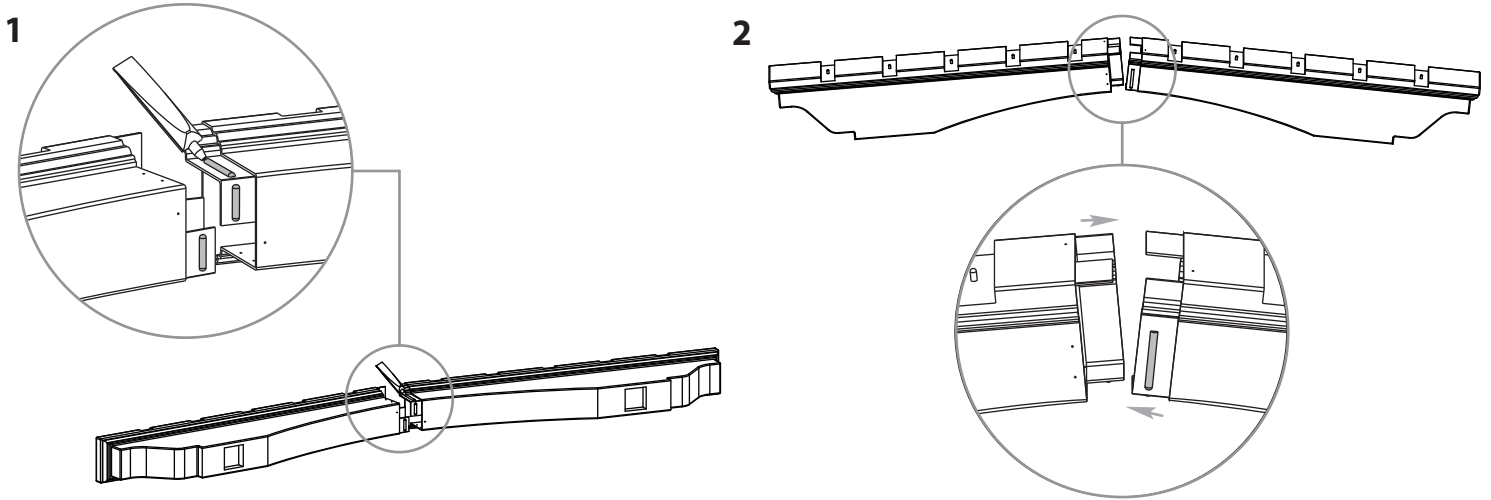
- 5** Fasten the rails into its corresponding bracket using the 3/4" screws provided (2 screws per bracket) as shown.



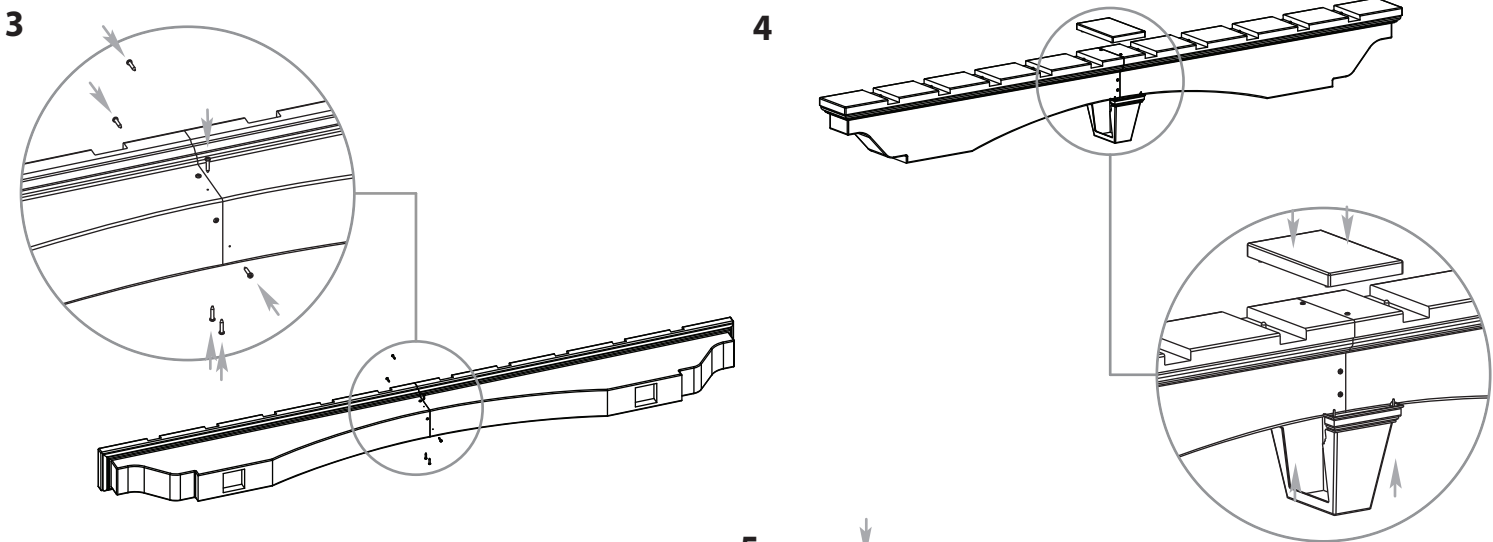
## STEP THREE

### Assemble the Arches

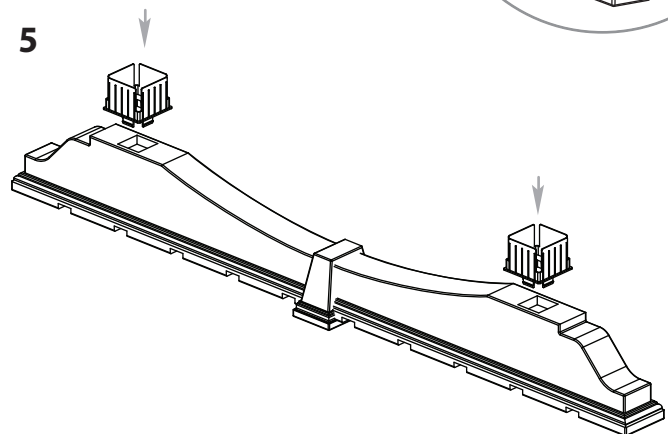
- 1 Lay out the two arch halves. Using the glue provided, run a small bead of glue along each internal tab of the arch ends as shown.
- 2 With the top side facing up, slip the bottom of each half together on a slight angle to join the two. Proceed to pinch in on the top tabs to allow them to slide into the arch cavity. Once the tabs are inside, push the two halves completely together.



- 3 Using eight of the 3/4" screws provided, fasten the arches on all four sides through the pre-drilled holes.
- 4 Take the keystone base and top and connect them over the middle of the arch as shown. Make sure the pins in the base are correctly inserted into the holes in the top. Push the two pieces together. No glue is required for this step.



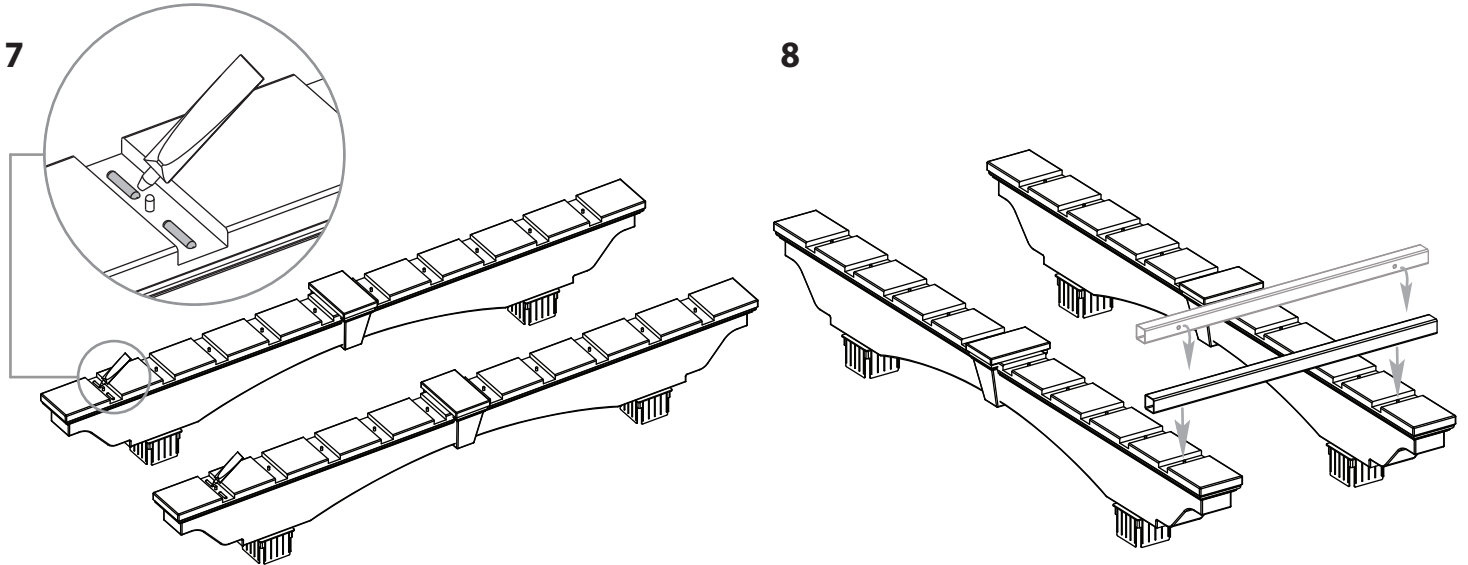
- 5 Flip the arch over and slip each arch couplers into the bottom of the arch. Push firmly until they snap into place. No glue is required for this step.
- 6 Repeat steps one through five for the second arch.



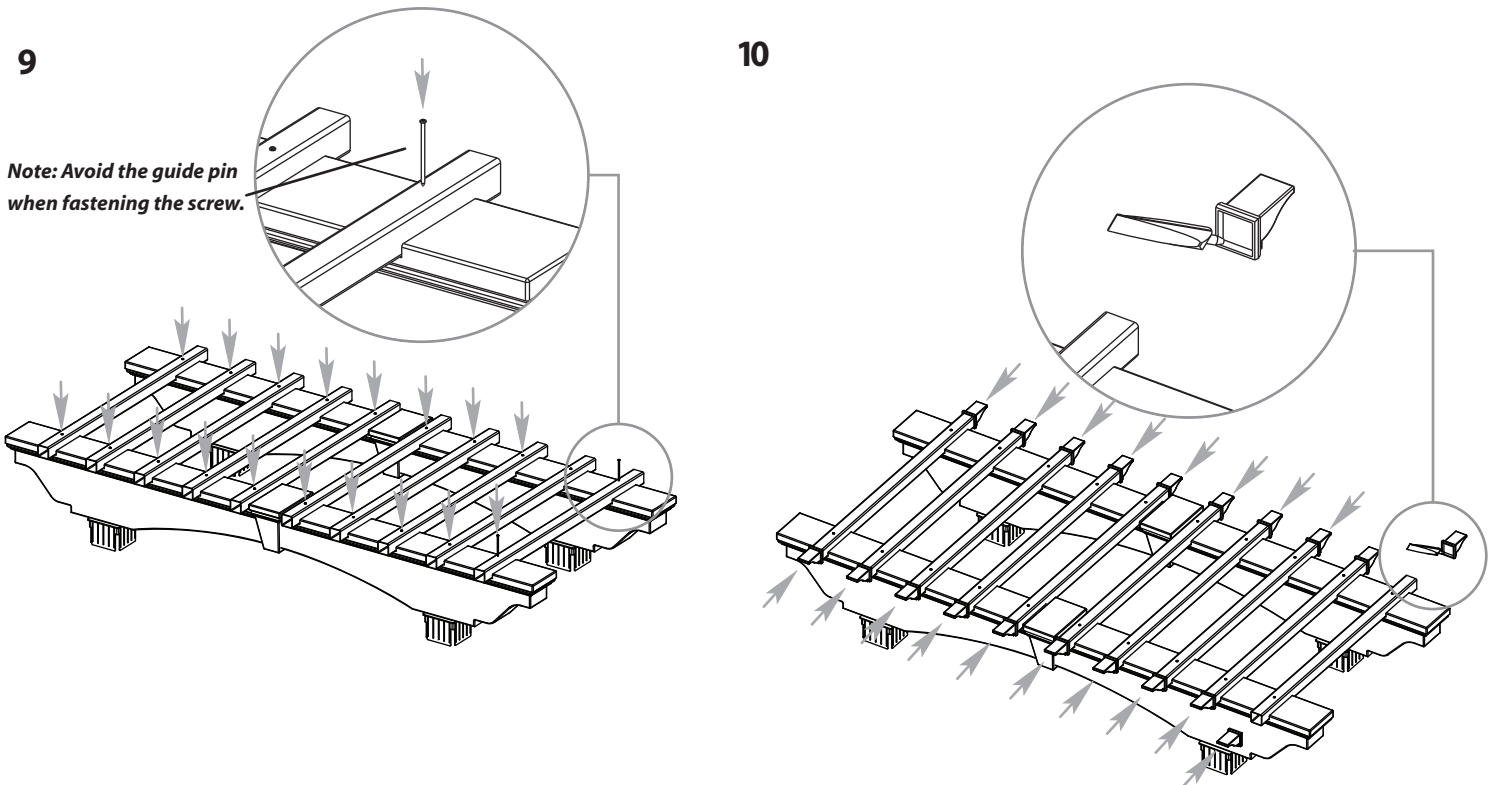
## STEP THREE

### Assemble the Arches

- 7 Starting at one end, run a 1" to 2" long bead of glue on both sides of the 'guide pin' as shown.
- 8 Place one of the filters and line up the hole in the filter with the guide pin. Hold in place to allow the glue to bond. Repeat for the remaining filters.



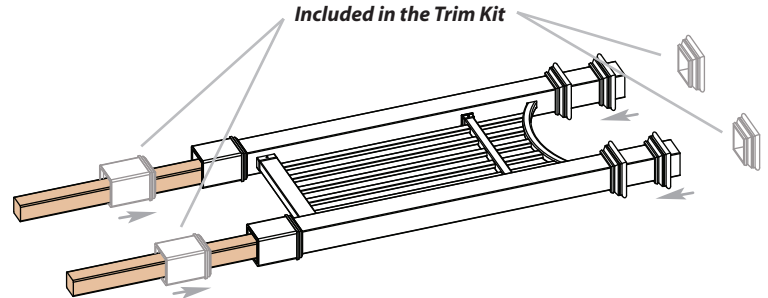
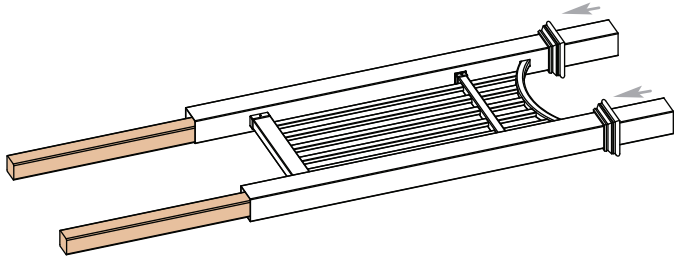
- 9 Fasten the filters in place using two 3" screws per rafter as shown.
- 10 Run a small bead of glue around the inside lip of the rafter end cap. Press the cap firmly onto the end of the filter and hold in place for a few seconds. Repeat this step for each end cap.  
**Note:** Allow 10 minutes for the vinyl glue to set before lifting or moving the arch assembly.



## STEP FOUR

### Attach the Trim Pieces

Slip the trim cap over the post and slide down about 12". If you purchased the Trim Kit, slip the second trim cap as well as the base moldings. No glue is required for this step.



## STEP FIVE

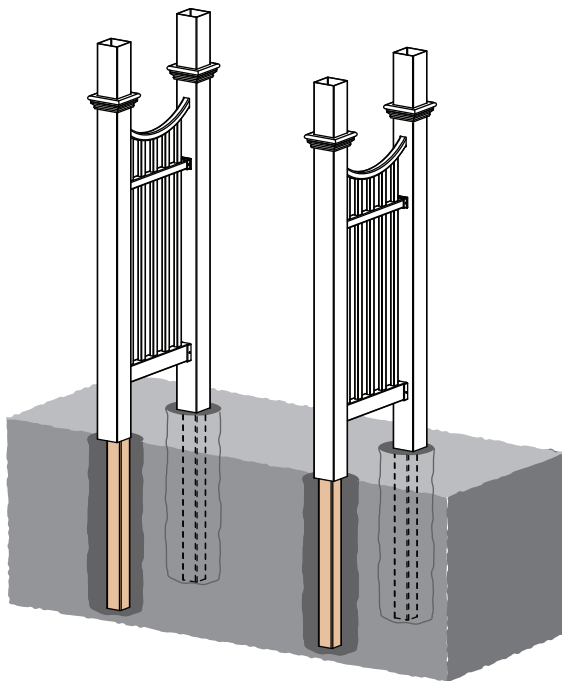
### Install The Arbor

#### Into Earth with Concrete Footing

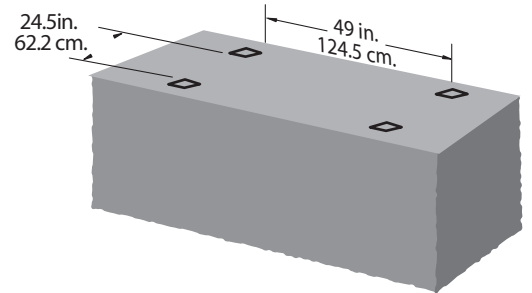
*Arbors must be well secured to prevent tipping over from wind load, etc.*

- 1 Carry the side panels to the final location of the arbor and excavate four holes approx 36 in. (91.4 cm.) deep, 12 in. in diameter. The spacing of the holes should be as per image aside.
- 2 Carefully move the side panels into the excavated holes.
- 3 Run a 2" - 3" long bead of glue on the ribbed flanged of the arch couplers as shown.

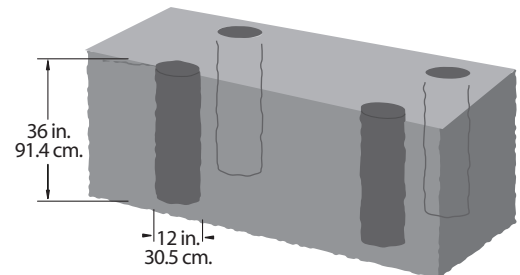
2



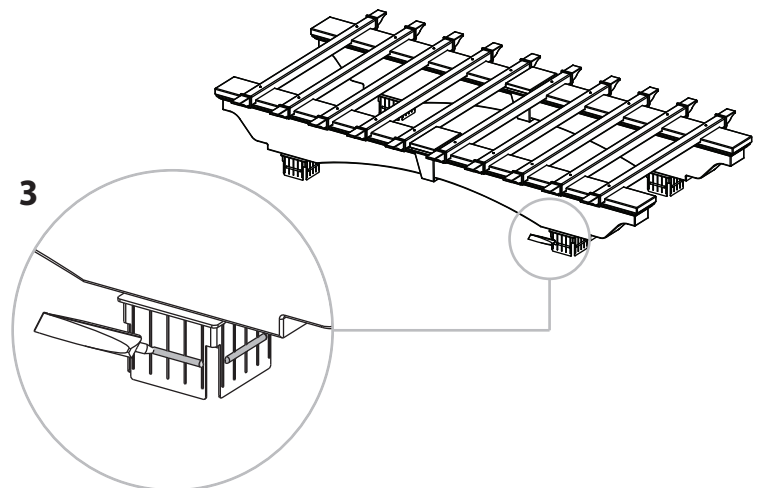
1



(Measurements shown are inside to inside of posts)



3



## STEP FIVE

- 4 Place the arch assembly over and into the side panel posts. (You will need a helper).
- 5 Run a bead of glue around the post just under the arches.
- 6 Slide the post trims up and hold them in place momentarily to allow the glue to set.
- 7 Fasten four 1 1/2in screws into each side of the post just below the post trim.
- 8 Level the arbor both horizontal and vertically.
- 9 Backfill the holes with either gravel or cement.

