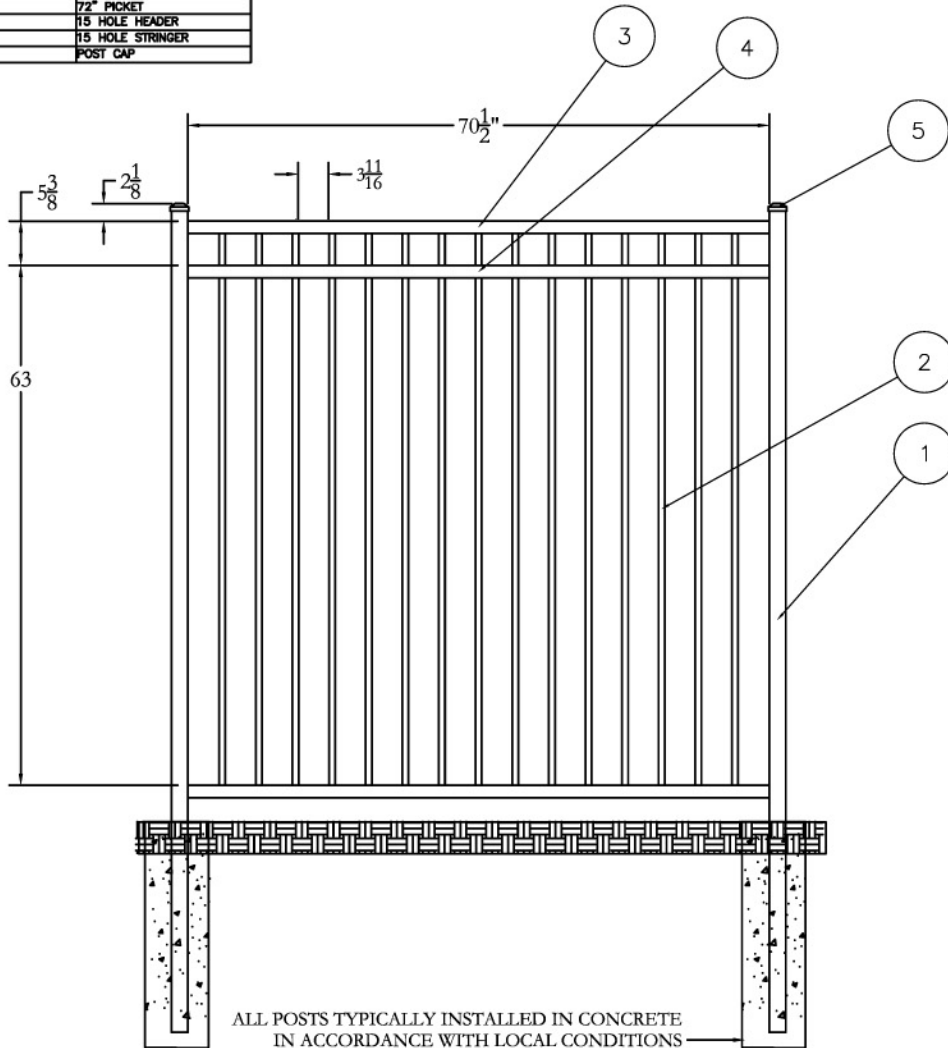
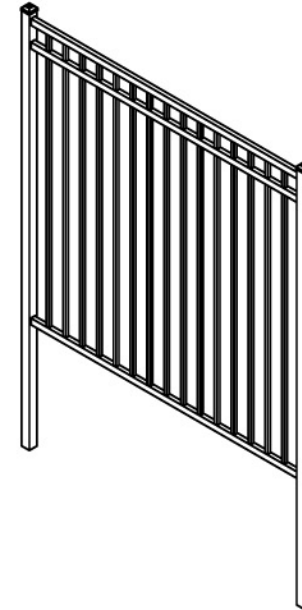


Parts List		
ITEM QTY	NAME	DESCRIPTION
1 2	100UWINE	100" POST
2 15	72UWINP	72" PICKET
3 1	15UPH	15 HOLE HEADER
4 2	15UPS	15 HOLE STRINGER
5 2	UCP2	POST CAP

ZONE	REV	REVISIONS		
		DESCRIPTION	DATE	APPROVED
	A	INITIAL RELEASE		
		ADD 15TH PICKET, CHG STRINGER MATERIAL, CHG STRINGER LENGTH, REMOVE SCREWS, UPDATE PARTS LIST	7-29-2010	SR



ALL POSTS TYPICALLY INSTALLED IN CONCRETE IN ACCORDANCE WITH LOCAL CONDITIONS AND STANDARD BUILDING PRACTICES



Jerith[®]
 Manufacturing Co., Inc.
 Philadelphia, PA 19154
 (800)344-2242

DRAWING:

WINDSOR FENCE
 72" HEIGHT

SIZE D	DWG NO. RG72UWSN	REV NC
SCALE	DATE 7-26-2010	SHEET 1 OF 1

© 2005. This drawing may not be altered or reproduced without the permission of Jerith Manufacturing Co., Inc.