

# TIGER (PATENTED)

HYDRAULIC ADA SELF-CLOSING HINGE

# LOCINOX



**ADA  
COMPLIANT**

**FULL 180°  
CLOSING RANGE**



**EASY  
TO ADJUST**



**WEATHER  
PROOF**



**TIMESAVING  
INSTALLATION**



**PRECISION  
ENGINEERING**



**BUILT  
TO RESIST**



ZILV 9005

**ADA  
COMPLIANT**

Hydraulic, self-closing, double bearing hinge with an 180° opening angle that easily closes gates up to 165 lbs. Closing speed and final snap can be adjusted after installation. Fast and easy installation with Quick-Fix. Combination with Puma (non-self-closing) hinge.

## DESIGN AND MATERIALS

- Powdercoated aluminum casing
- Aesthetic design
- Bottom Puma hinge included
- Double stainless steel bearing

## TESTING

- Tested at 500,000 movements
- Tested from -22°F to 160°F
- Especially designed for exterior use: rain & frost-proof

## FUNCTIONING

- 180° opening & closing angle
- NO gate stop needed
- Patented Hydraulic damping
- Closing speed unaffected by humidity and temperature changes
- Adjustable closing speed & final action
- Smooth operating and easy to open: ADA compliant

## INSTALL

- Fast and easy installation: Quick-Fix
- For gates up to 165 lbs and 3-1/2 ft. wide
- For left and right turning gates
- 3/4" vertical adjustability
- 5/8" horizontal adjustability (GAP)



STAINLESS  
STEEL

100%  
MECHANICAL

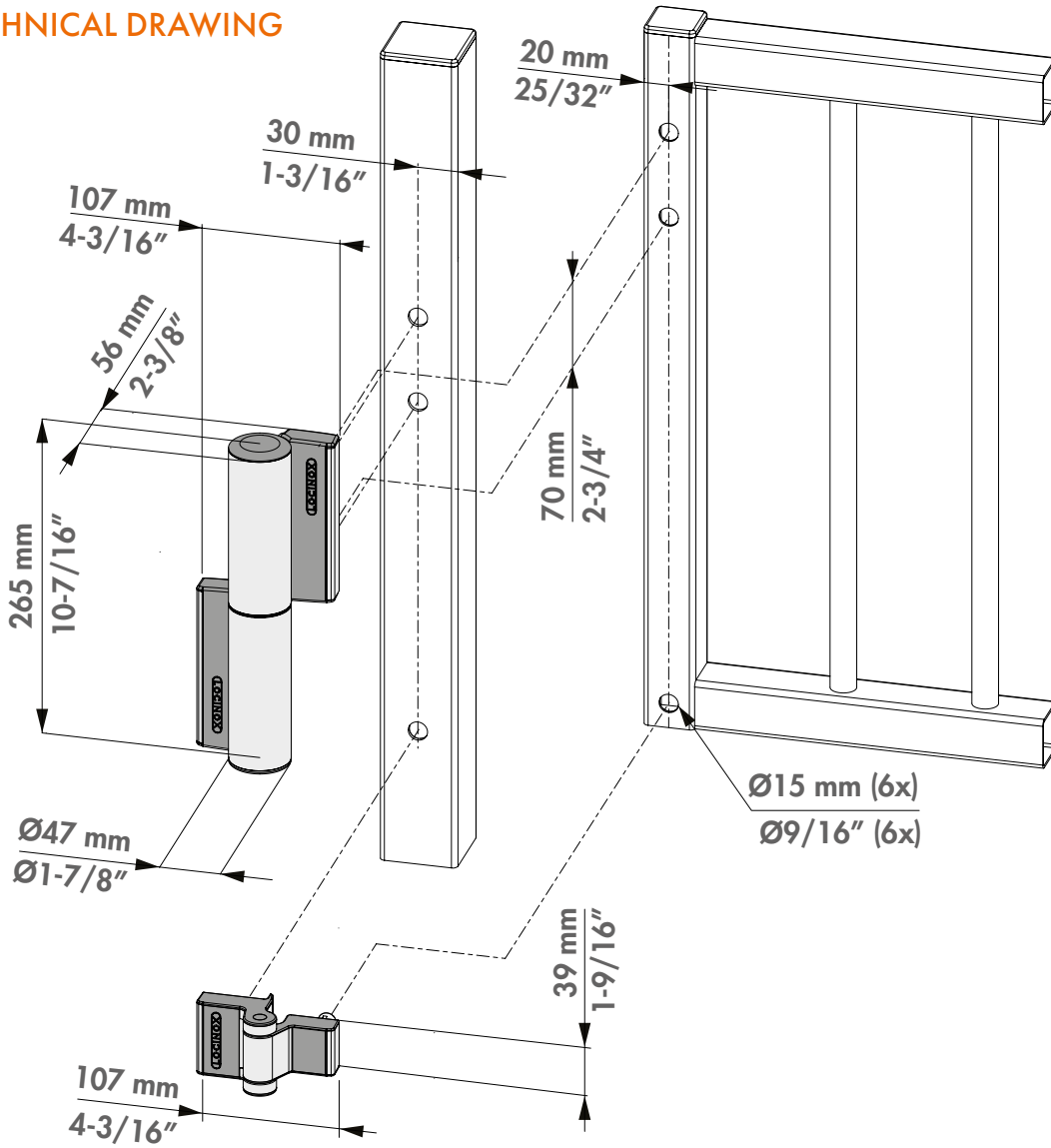
500 000  
TESTED

## Order Code

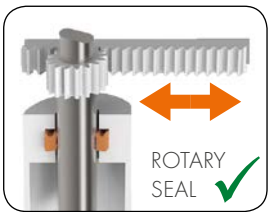
- TIGER - Hydraulic gate closer and Puma 180° hinge for gates up to 165 lbs (max. 3-1/2 ft. wide)

TURN PAGE FOR  
TECHNICAL INFO

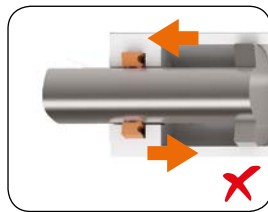
## TECHNICAL DRAWING



## TECHNICAL INFO



ROTARY SEAL



LINEAR SEAL

### DURABLE

When converting the rotational movement into a linear movement, Locinox always uses a rotary seal. The intrusion of dirt and humidity and loss of oil are impossible.



Modularity



Ease of Installation



Trusted Quality



Full Support