

WEATHERGUARD™

Congratulations! You have purchased the world's finest structure for the home gardener, a Weatherguard™ Greenhouse. To get the most satisfaction from your greenhouse, please carefully review these instructions and the lists of required materials below **BEFORE** beginning assembly. By taking a few extra minutes now, you will enjoy many years of use from your greenhouse.

MATERIALS INCLUDED	
Base Double Tube	4
Cross Fittings.....	1
Curve Pipes	6
Door Panel.....	1
Lacing Ropes.....	2
Purlins	2
Ratchets	4
Roof Skin	1
Safety Ropes	1
Solid End Panel	1
T-Base Fittings	2
“T” Fittings.....	2
Vertical Extensions Tubes	6
Zip Ties	32
Cross Tubes	2



IMPORTANT NOTICE! PLEASE READ THESE INSTRUCTIONS COMPLETELY PRIOR TO ASSEMBLING YOUR WEATHERGUARD™ GREENHOUSE.

BEFORE YOU START: SITE CHOICE

Where will your garden grow best?

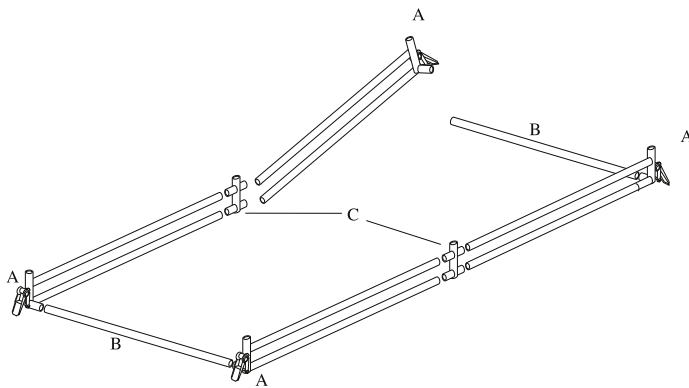


Watch for helpful assembly "HINTS" while following these instructions.

This Weatherguard™ Greenhouse is designed with a non-rigid flex frame system, allowing it to move in moderately windy conditions. Locating your shelter next to a natural or man-made wind block (e.g., building, fence, trees, hedges, etc.) will help prevent the greenhouse from potential damage in severe wind conditions.

Once you have selected your greenhouse location, clear a FLAT, LEVEL, SQUARE site free of all debris.

A



STEP 1

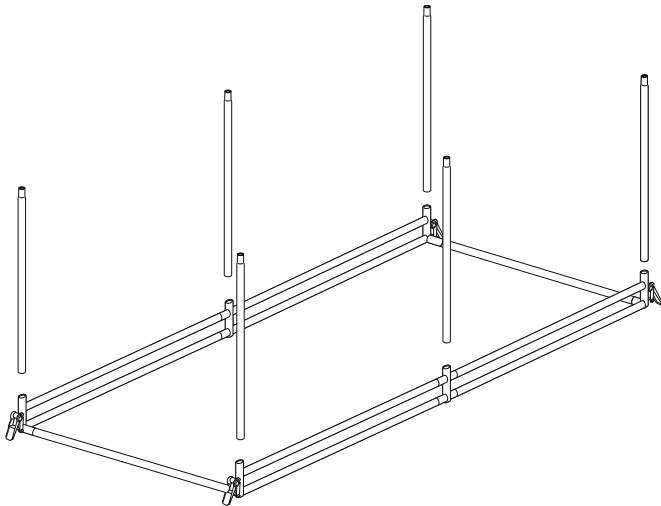
FOUNDATION ASSEMBLY

As the healthy plant stem supports the leaves, so the correctly assembled framework supports the roof.

Simply locate the appropriate parts enclosed in the box. (note: the parts in the box are not labeled by letters—please reference by shape and measurement.) Notice how the ratchets are unique to each corner. Start by laying out the four corner pieces (part "A"). Next, locate the double "T" pieces (part "C") and connect to the corner pieces (A). These are a tight fitting and may require the use of a hammer. Finally, locate your cross tubes (part "B") and connect the two assembled side pieces. These may also need to have help to fit.

NOTE: One greenhouse larger than 4' wide Part B is a split tube that will need to be assembled.

B



STEP 2

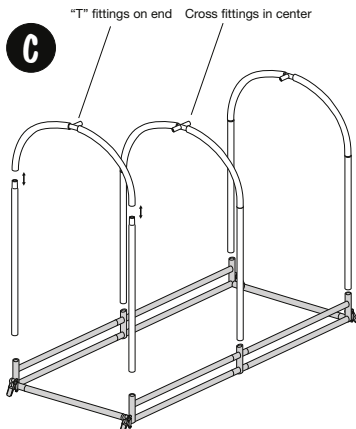
FRAMEWORK ASSEMBLY

As the healthy plant stem supports the leaves, so the correctly assembled framework supports the roof.

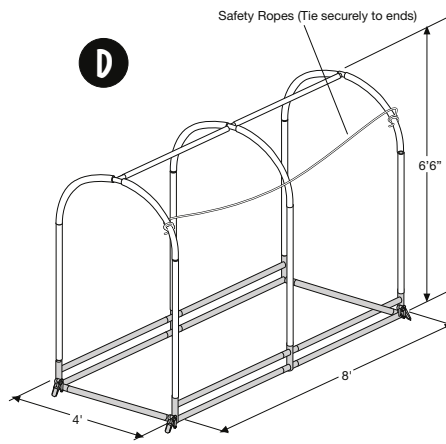
Working from the foundation up, begin assembling the greenhouse framework. First, install the short straight vertical tubes over the top shaft of each base. **SEE DRAWING C.**

CAUTION! The Weatherguard™ Greenhouse frame design is flexible. Please be aware that overhead parts and/or pipes can come loose and fall during assembly. **DO NOT** allow children on or around the assembly site when erecting your greenhouse. And **ALWAYS** pay attention overhead for safety! Using the safety ropes supplied to firmly tie each arch together will hold all fittings and purlins in place. After assembly, safety ropes must be left tied in place for added wind stability. **SEE DRAWING D.**

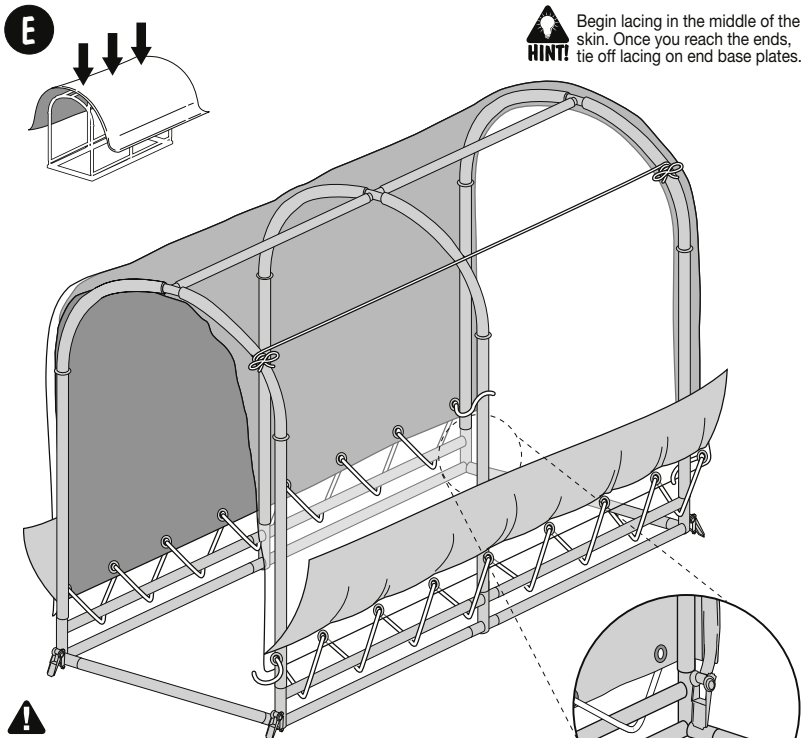
C



D



Next, using T-fittings for the front and rear greenhouse ends and cross fittings in the middle, begin forming the arches and inserting the remaining purlins. **SEE DRAWINGS C & D.**



CAUTION! DO NOT OVERTIGHTEN THE RATCHETS! Tighten only until the skin folds over the framework by approximately 4". The roof material is intended to drape over the framework only – it is not designed to be stretched. Additional ratcheting will only stretch the polyethylene material, thinning and weakening the roof skin and potentially voiding the warranty.

HINT! Begin lacing in the middle of the skin. Once you reach the ends, tie off lacing on end base plates.

STEP 3

INSTALLING THE ROOF SKIN PANEL

Like a canopy of leaves, the roof skin provides shelter.

NOTE: Please take great care when handling the roof skin to prevent scratching or piercing during installation. Place a ground tarp under the roof skin during assembly. Do not walk on the material at any time.

Unfold the roof skin with finished seams facing up and lay it next to the bottom purlin on one side of your greenhouse. Center the roof skin so approximately 4" of material extends beyond both ends of the framework. Using the supplied lacing rope, lace the bottom edge of the roof skin through the reinforced grommets to the bottom purlin. The space between the roof skin and bottom purlin should be between 1/2" to 1" **SEE DRAWING E.**

Now you are ready to lay the roof skin over the arch framework. Keeping the roof centered, VERY CAREFULLY lay the roof skin over the frame.

Now that the roof skin is over the frame, lace the bottom grommets to the bottom purlins, starting from the middle, as on the first side.

CAUTION! LACING THE GROMMETS TOO TIGHTLY CAN DAMAGE THE COVER!

STEP 4

INSTALLING THE SOLID END AND DOOR PANELS

Besides providing access to your greenhouse, the door panel can be used to help regulate the interior temperature.

Using the supplied zip ties, begin attaching the solid end panel and door panel to the framework, working from the top center of each panel.

SEE DRAWING F.

CAUTION! Overtightening zip ties can damage the panels, as well as causing difficulty opening and closing the door panel.

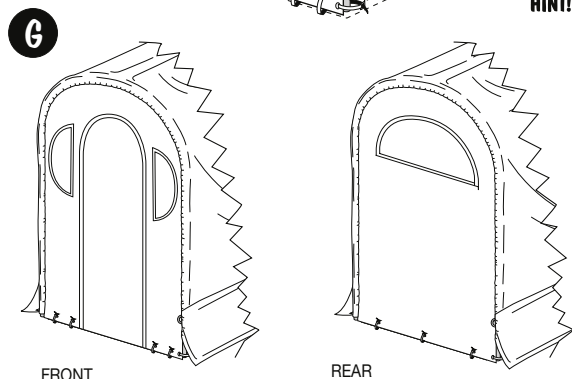
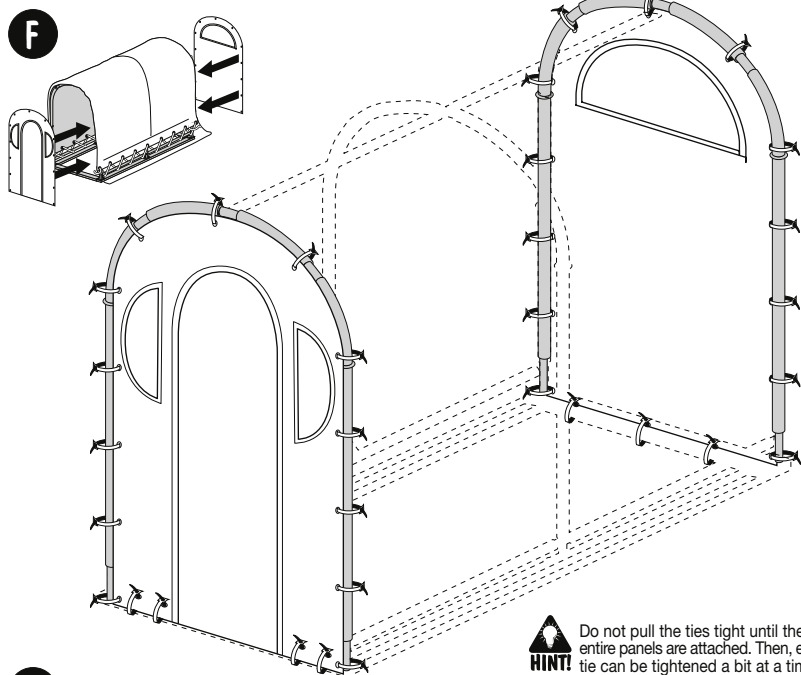
Complete the door and end panels by securing them at the bottom. **SEE DRAWING G.**

STEP 5

TIGHTENING THE FOUR RATCHETS ON EACH CORNER BASE PLATE

Roof skin flaps on framework ends and along sides help seal your greenhouse, creating a controlled growing environment.

Using the four ratchets supplied, install one on each corner base plate. **SEE DRAWING E.** A flat webbing rope extends from all 4 corners of the roof skin. Insert the webbing into the ratchets and slowly begin tightening each corner, alternating between the 4 corners and tightening a little at a time. As you tighten the ratchets, the 4" roof skin flap will fold over the framework ends, helping to secure your framework together.



HINT! Do not pull the ties tight until the entire panels are attached. Then, each tie can be tightened a bit at a time until the panels are centered within the framework.

FRONT

REAR

Congratulations! You now have a completed high-quality Weatherguard™ Greenhouse.



For safety in severe winds, we suggest anchoring your greenhouse.



If you ever disassemble your Weatherguard™ Greenhouse, clean and dry the skin completely before storing to prevent mildew, which can rot the polyethylene. Always use caution when disassembling overhead framework!

All of us at Jewett Cameron Companies thank you for purchasing our products.

For product information, replacement parts and customer service,
call us toll-free at 800-955-2879, or email info@dgiworldwide.com

Ask about other quality DGI Worldwide products:

Storage Solutions Round Top Garage

Lucky Dog™ Modular Dog Run

Lucky Dog™ Easy-Ship Boxed Kennel

Weatherguard™ Kennel Cover

LIMITED EXPRESS WARRANTY

Jewett Cameron Companies warrants your Weatherguard™ Greenhouse to be free of defects in material and workmanship and further warrants that, in normal use, the Weatherguard™ Greenhouse is waterproof, will not tear, and will not be affected by mildew. This warranty is extended to the first retail purchaser of the Greenhouse for consumer use, and lasts for one (1) year from the date of purchase. Jewett Cameron Companies will replace any cover that is defective (unless those defects result from abuse or misuse of the cover, such as puncture or damage caused by excessive wind or heat). The replacement will be without charge to you, if you notify Jewett Cameron Companies in writing within the first six (6) months after date of purchase. If you notify Jewett Cameron Companies in writing six (6) months after the date of purchase but before the expiration of this Warranty, Jewett Cameron Companies will provide you with a replacement cover for 50% off its then-current retail price. **JEWETT CAMERON COMPANIES WILL NOT HAVE OTHER OR GREATER LIABILITY FOR DEFECTS IN THE COVER, NOR WILL JEWETT CAMERON COMPANIES HAVE ANY LIABILITY FOR INCIDENTAL OR CONSEQUENTIAL DAMAGES.** Some states do not allow the exclusion or limitation of incidental or consequential damages, so the above limitation or exclusion may not apply to you. If you discover a defect in the cover during the warranty period, and wish to obtain a replacement, send notice of your claim to:

JEWETT CAMERON COMPANIES
PO BOX 1010
NORTH PLAINS, OR 97133

Include your return address and phone number, and a copy of the original invoice or further proof of the date of purchase, plus a description of the claimed defect. **ALL IMPLIED WARRANTIES, INCLUDING BUT NOT LIMITED TO IMPLIED WARRANTIES OF MERCHANTABILITY AND FITNESS FOR PARTICULAR PURPOSE, ARE LIMITED IN DURATION TO ONE (1) YEAR FROM THE DATE OF PURCHASE.** Some states do not allow limitations on how long an implied warrant lasts, so the above limitations may not apply to you. This Warranty gives you specific legal rights, and you may also have other rights which may vary from state to state.



WARNING

THIS PRODUCT IS NOT SOLD OR INTENDED FOR USE AS A FLAME RETARDANT ARTICLE: this product can be burned and under some conditions may continue to burn once ignited. This product meets the flammability requirements of commercial standards CS-192-53 (paragraph 4.10) for general purposes vinyl plastic film to which the Flammable Fabrics Act, Public law 88 refers. Weatherguard™ Greenhouses, unless specifically labeled for such use, do not meet the flammability standards for use as tent materials.