

# TENAX®

SOLUTIONS ALL AROUND YOU

## HORTONOVA TRELLIS NET



**RECOMMENDED USES**  
Use as a crop support trellis for vegetable and flowering plants.

Suspend above the ground so plants can be supported as they grow upwards through mesh.

Use in hydroponic systems for plant support.

Use in container gardens, flower beds or planters as a planting support trellis.

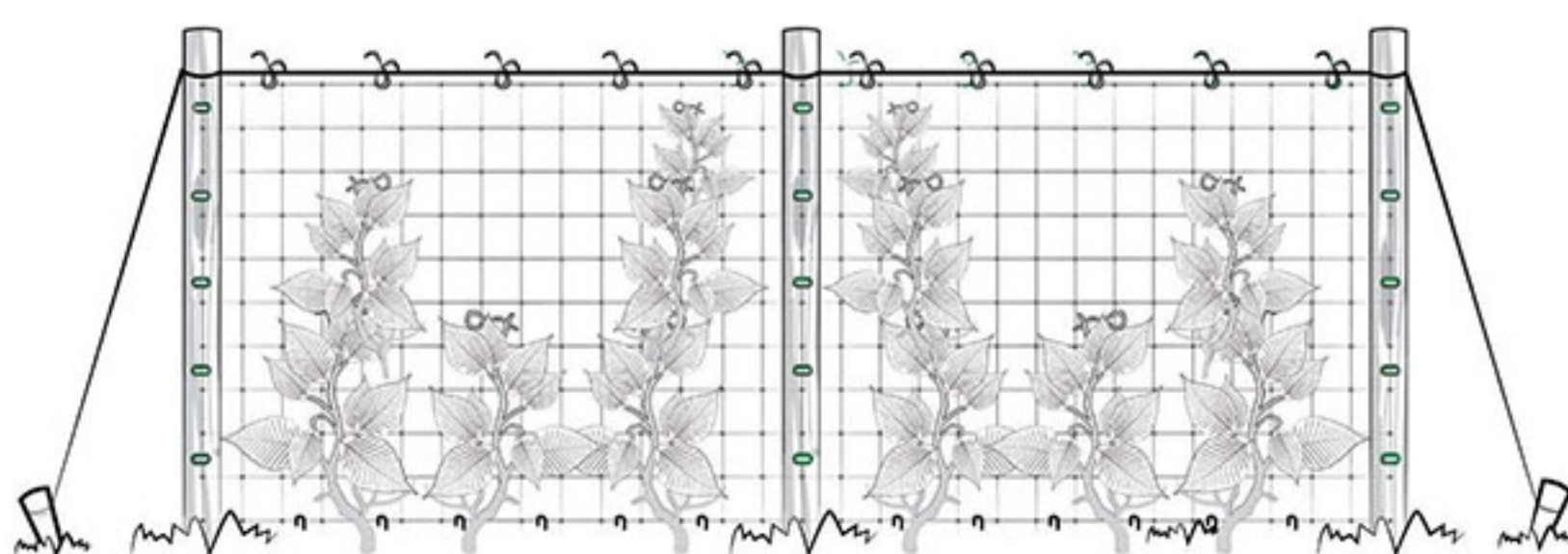


MESH SIZE 5.9-IN X 5.9-IN  
WHITE FA



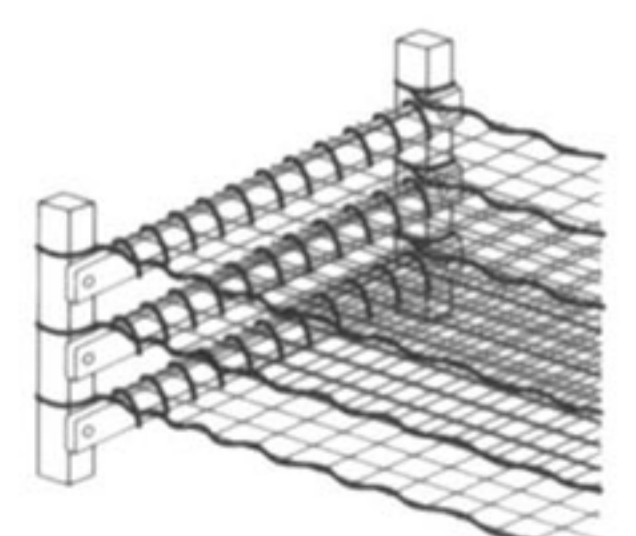
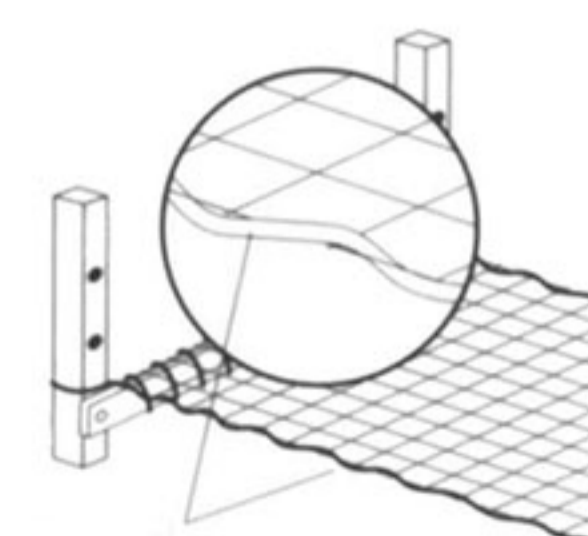
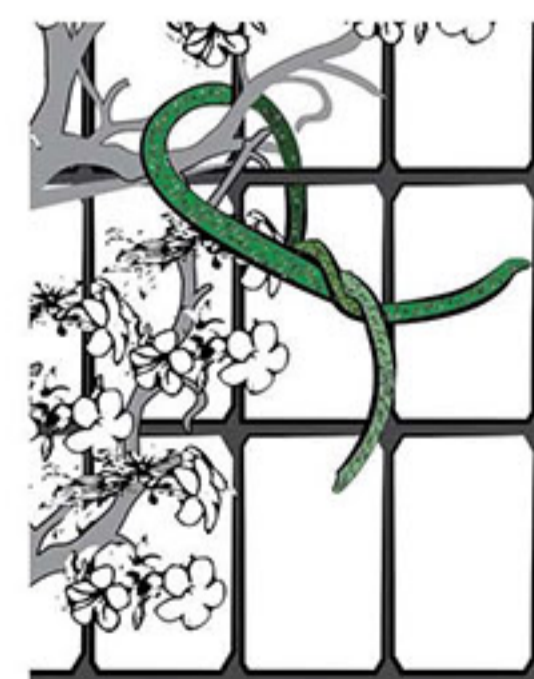
### YOU MAY NEED

posts  
nylon string  
self-locking ties  
scissors  
hammer  
sod staples  
tent-style stakes  
tie wire



#### UPRIGHT APPLICATION

(1) Set support posts at a distance of 5 feet apart. (2) Stretch a cable from one post to the other. (3) Secure the net to the initial post with nylon string. (4) Use sod staples every 6 inches for contact with the ground.



#### LAYERING APPLICATION OR HORIZONTAL APPLICATION

(1) Set support posts at corners of the planting area. (2) Secure your Tenax Hortonova Trellis Net on posts approximately 6 inches from the ground so plants can grow up through the mesh. Multiple layers of your Tenax Hortonova can be used in the same fashion to support larger plants. (2) Secure your Tenax Hortonova to each corner post with self locking ties or tie wire.