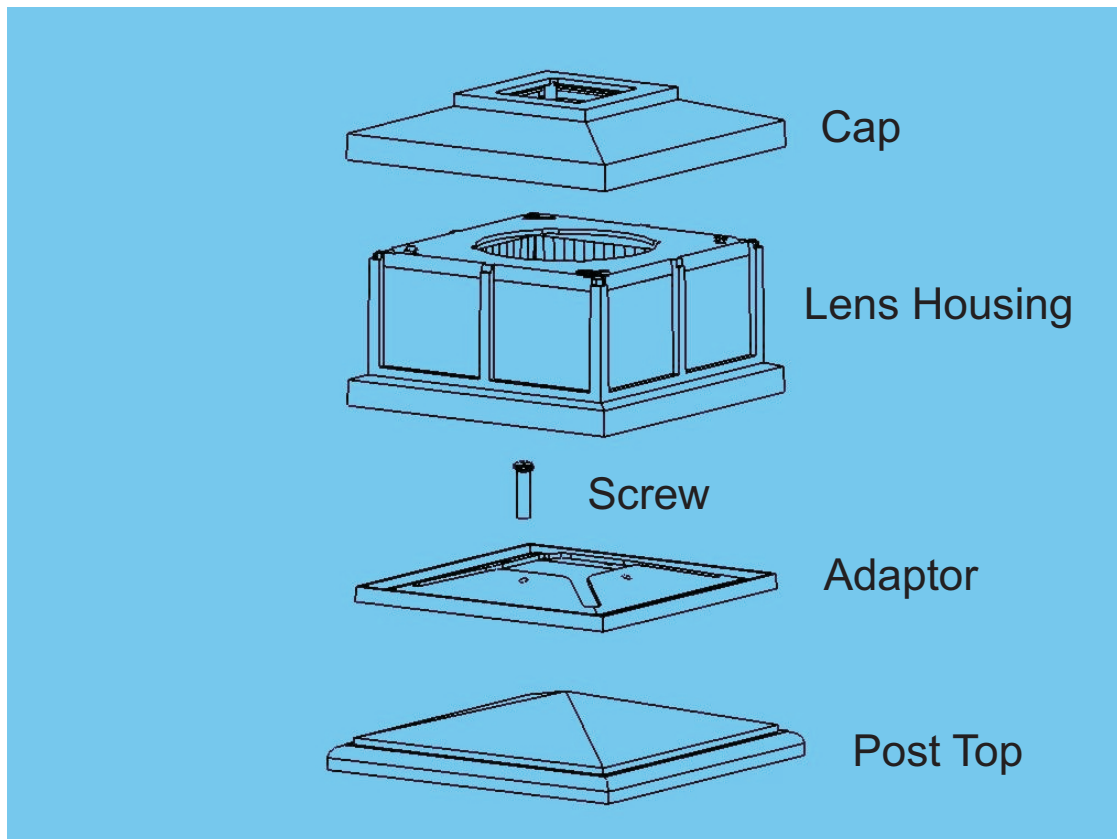


Installation Instructions



1. Set light assembly in place on post top
2. Remove cap from lens housing by turning counter clockwise
3. Install the four screws in adaptor (access through hole in top of lens housing)
4. Remove plastic tab from bottom of cap to activate batteries
5. Reinstall cap on lens housing