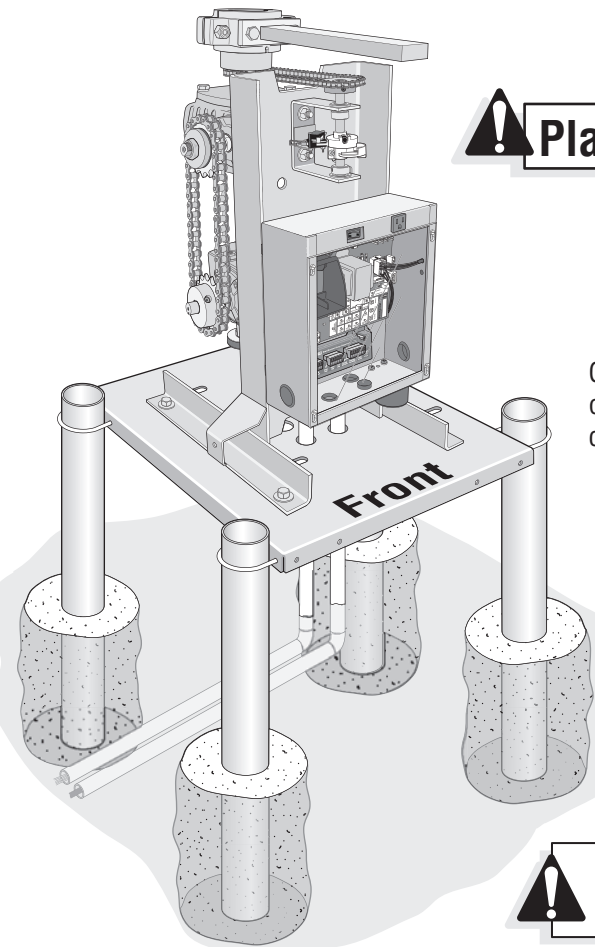


CSW200UL™ Series Mounting Plate

Model # MPEL

Type 1

3" Posts mounted on Outside



! Plate MUST be Level!

Cement posts in place. Depth of posts determined by soil conditions and local codes.

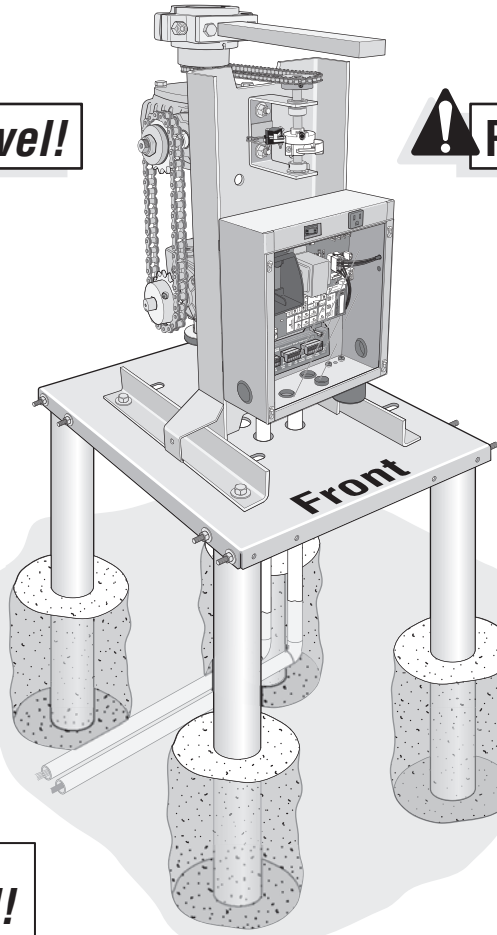
Power and control wiring should be run in separate conduits.

! Distance between posts are *critical!*

3" O.D. Heavy Walled Posts and U-Bolts Not Provided

Type 2

3" Posts mounted on Inside



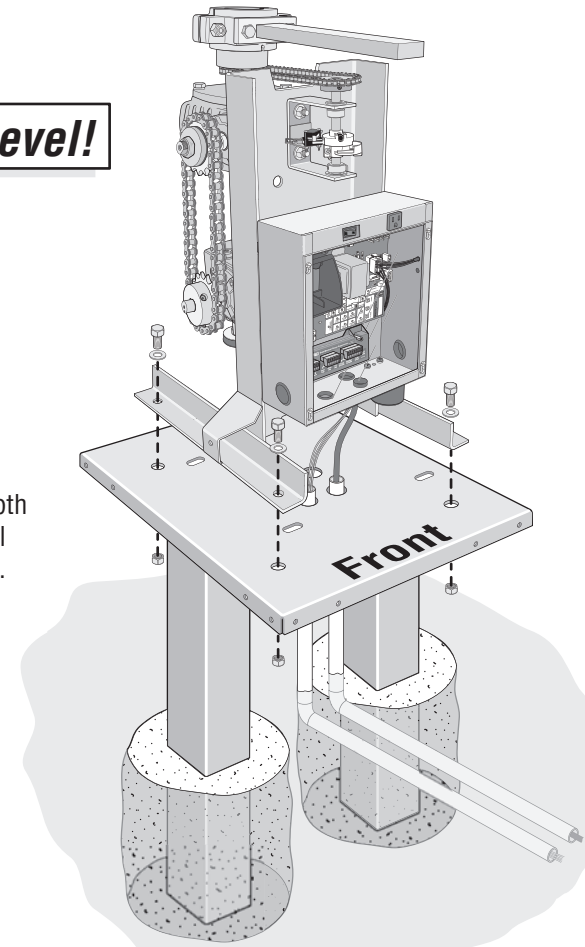
! Plate MUST be Level!

Cement posts in place. Depth of posts determined by soil conditions and local codes.

Power and control wiring should be run in separate conduits.

Type 3

4" Square Posts welded on Inside

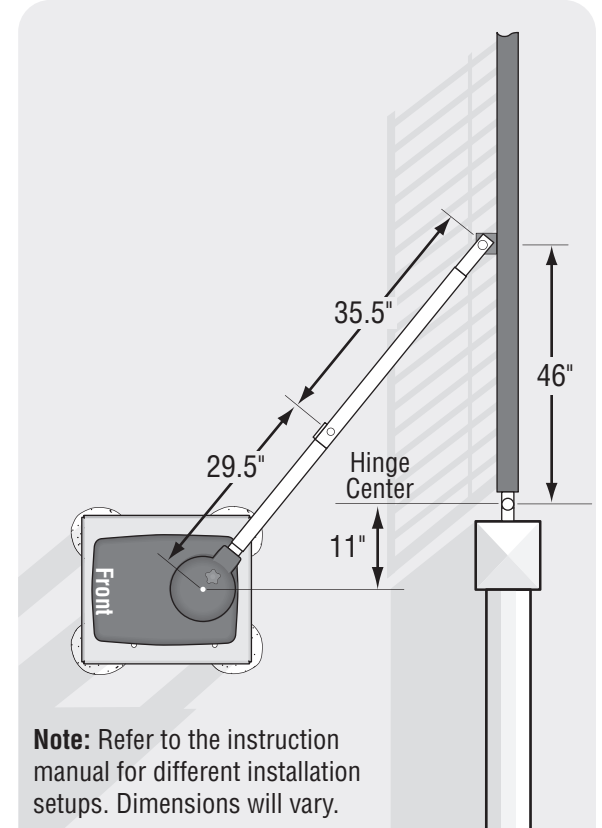


4" O.D. Heavy Walled Square Posts Not Provided

! Weld Completely around posts

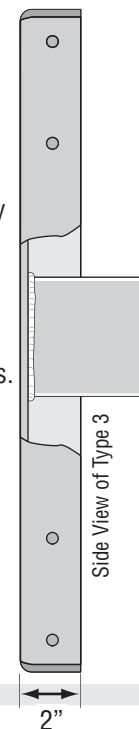
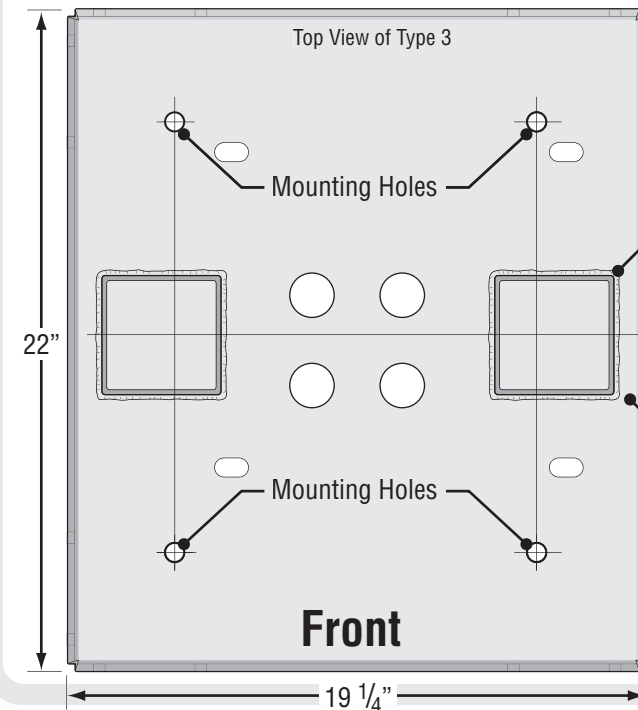
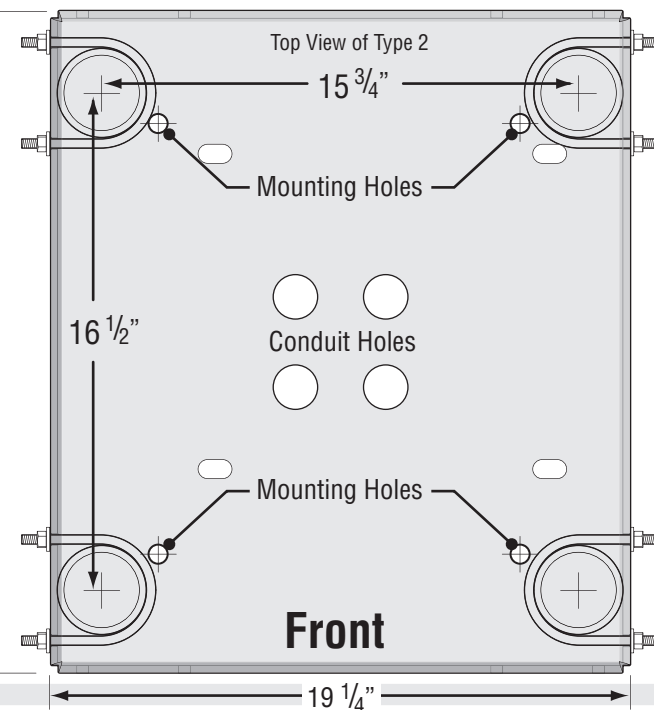
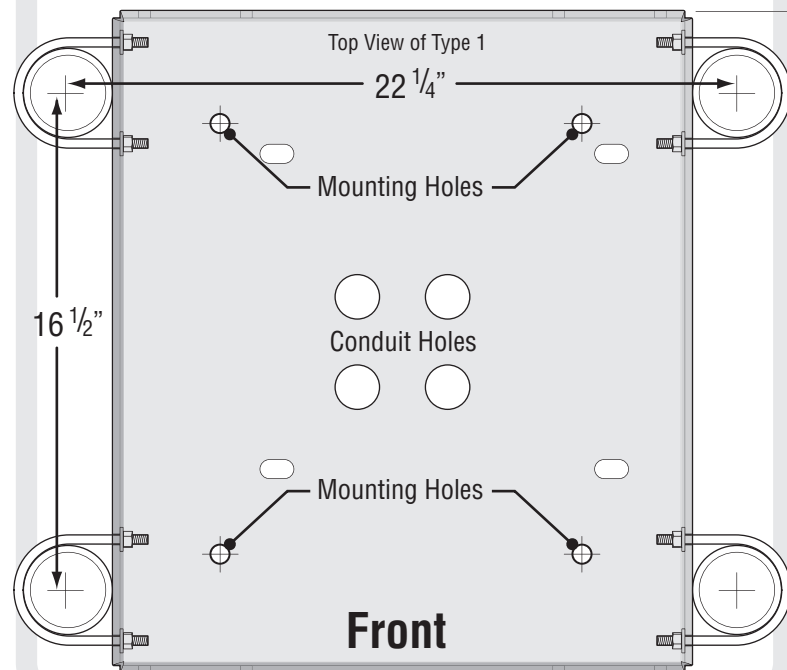
! Center posts between mounting holes.

keep the posts close to the plate edge.



Note: Refer to the instruction manual for different installation setups. Dimensions will vary.

Top View of Typical Standard Installation



For Technical Support and Ordering Parts:
1-800-528-2806

CHAMBERLAIN® ELITE™

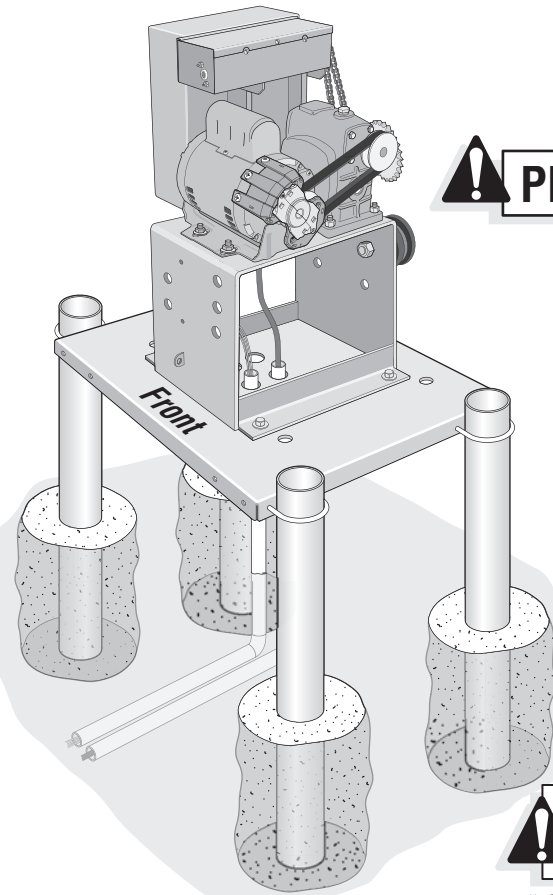
© 2004 The Chamberlain Group, Inc. All Rights Reserved

SL3000UL™ Series Mounting Plate

Model # MPEL

Type 1

3" Posts mounted on Outside



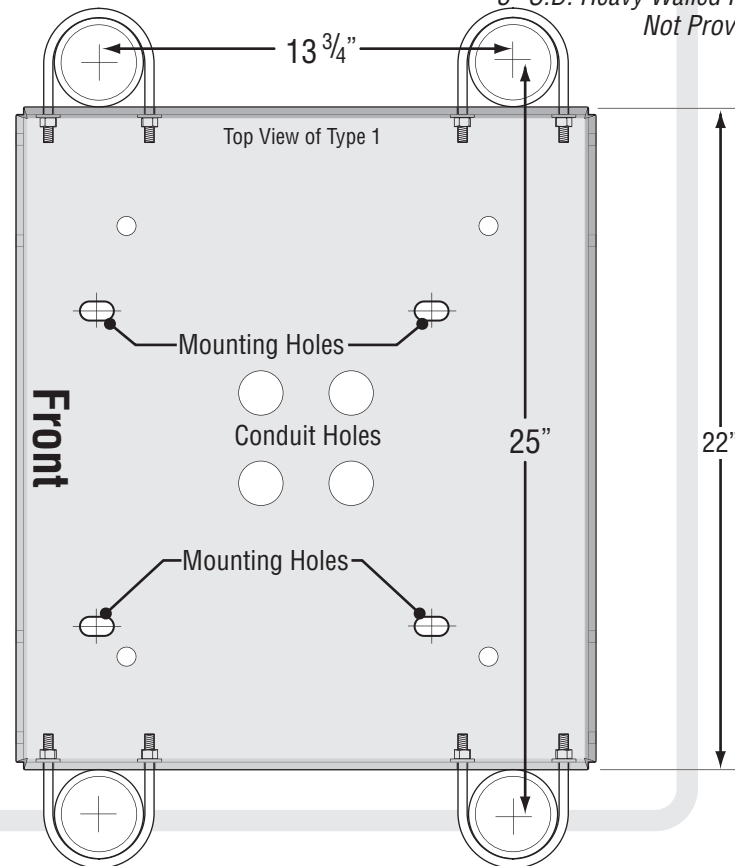
⚠ Plate **MUST** be Level!

Cement posts in place. Depth of posts determined by soil conditions and local codes.

Power and control wiring should be run in separate conduits.

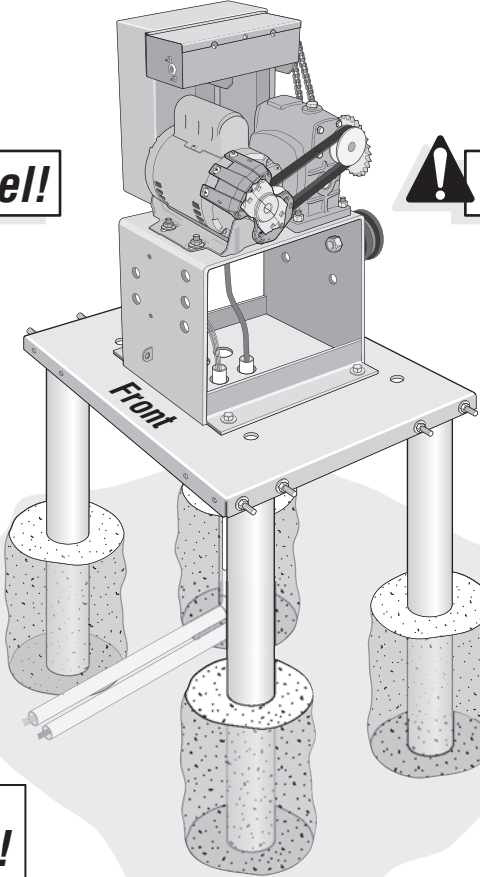
⚠ Distance between posts are **critical!**

3" O.D. Heavy Walled Posts and U-Bolts Not Provided



Type 2

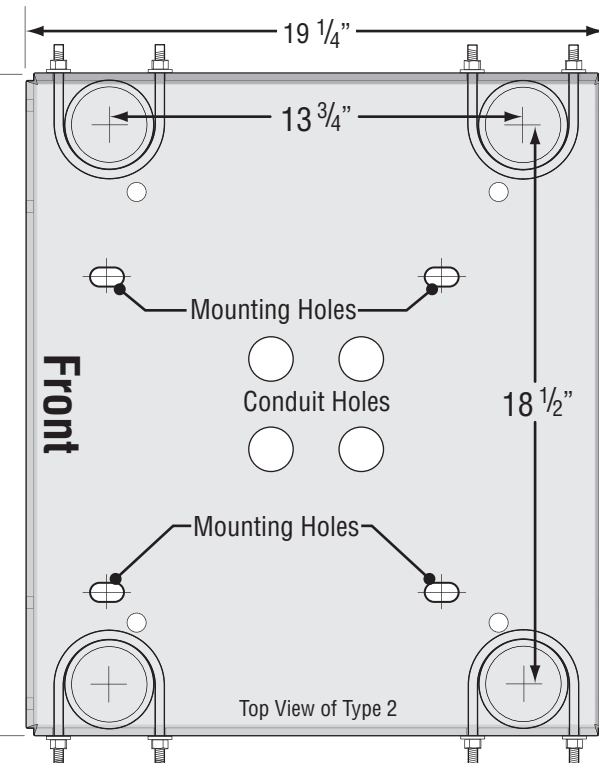
3" Posts mounted on Inside



⚠ Plate **MUST** be Level!

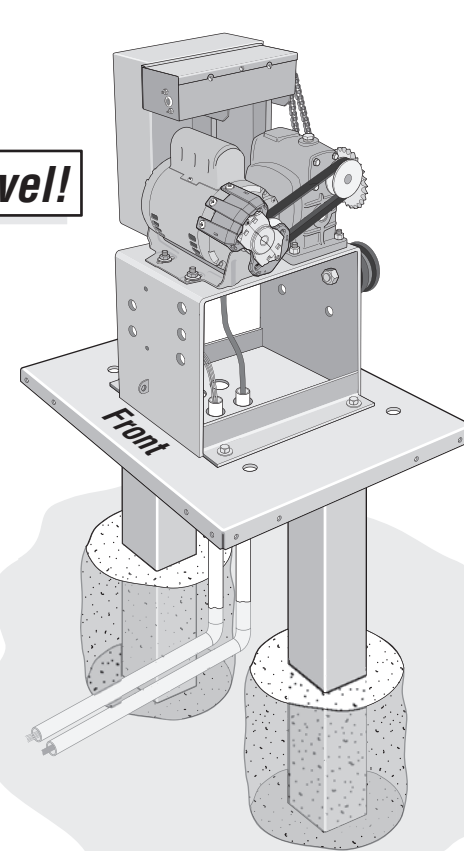
Cement posts in place. Depth of posts determined by soil conditions and local codes.

Power and control wiring should be run in separate conduits.



Type 3

4" Square Posts welded on Inside

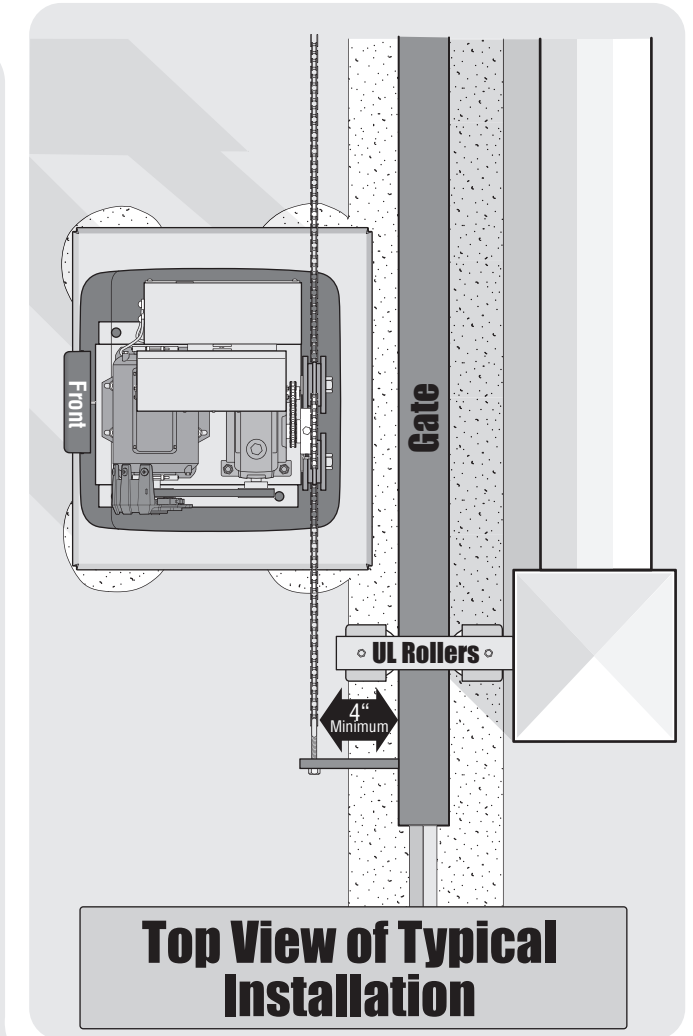
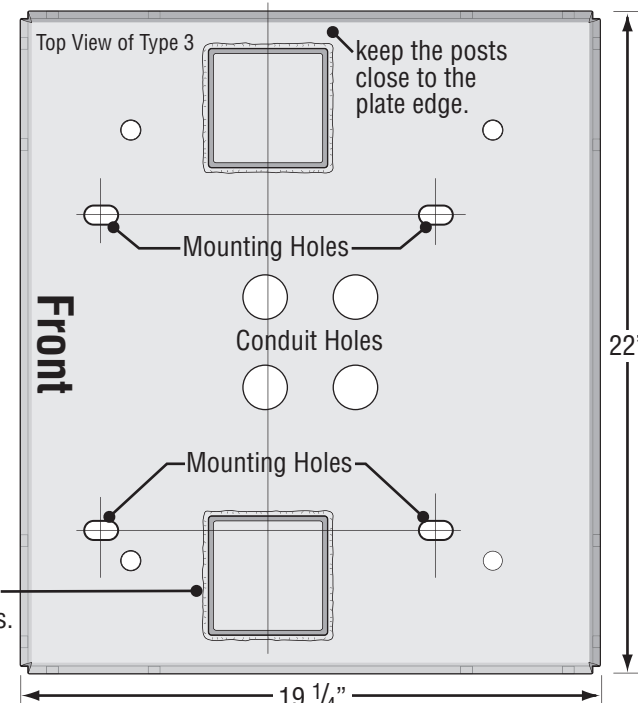


4" O.D. Heavy Walled Square Posts Not Provided



⚠ Center posts between mounting holes.

⚠ Weld **Completely** around posts.



Top View of Typical Installation

For Technical Support and Ordering Parts:
1-800-528-2806

CHAMBERLAIN®
ELITE™

© 2004 The Chamberlain Group, Inc.
All Rights Reserved