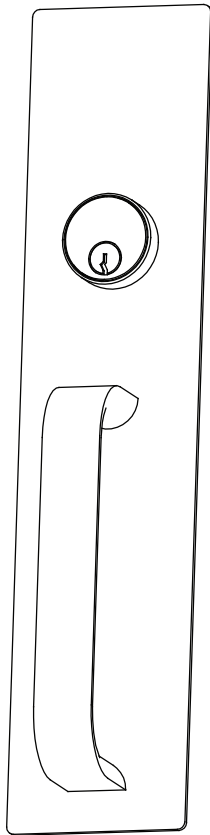
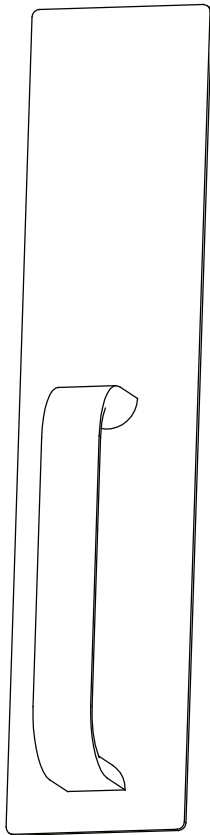


Detex Corporation, 302 Detex Drive, New Braunfels, Texas 78130-3045  
(830)629-2900 / 1-800-729-3839 / Fax (830)620-6711  
E-MAIL: [detex@detex.com](mailto:detex@detex.com) INTERNET: [www.detex.com](http://www.detex.com)

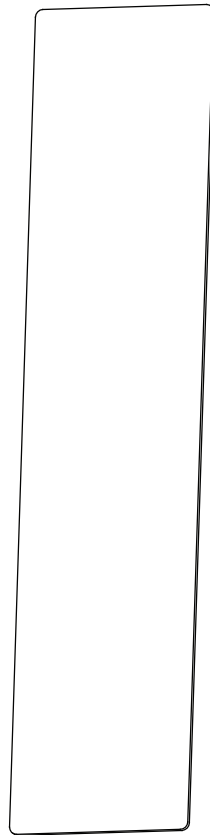
## INSTALLATION INSTRUCTIONS FOR 03A(N), 02A(N), 01A(N) PULLPLATE TRIM



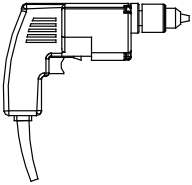


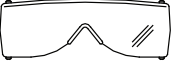

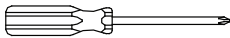

**03A(N)  
FUNCTION**



**02A(N)  
FUNCTION**



**01A(N)  
FUNCTION**

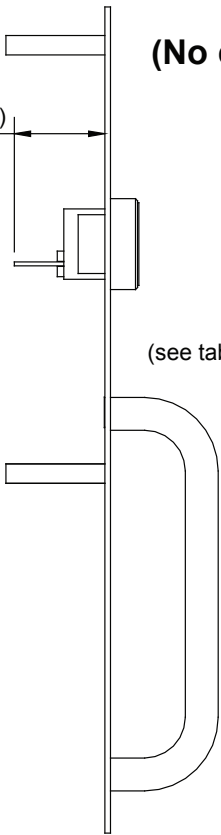
Tools Required	
Power Drill 	Pencil 
	Hammer 
Safety Glasses 	Tape Measure 
Screw Driver 	Center Punch 

### 03 Trim Preparation

(No cylinder prep necessary for 02 & 01 Trims)

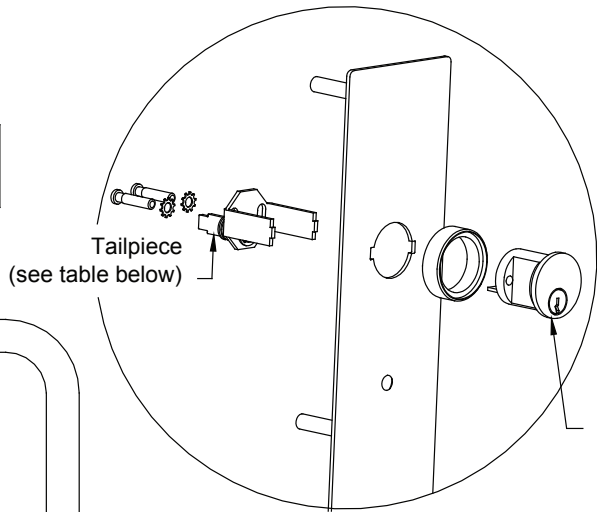
Cut  
cylinder  
tailpiece

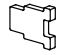
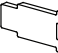
1-1/16" (Min)  
1-1/8" (Max)



1

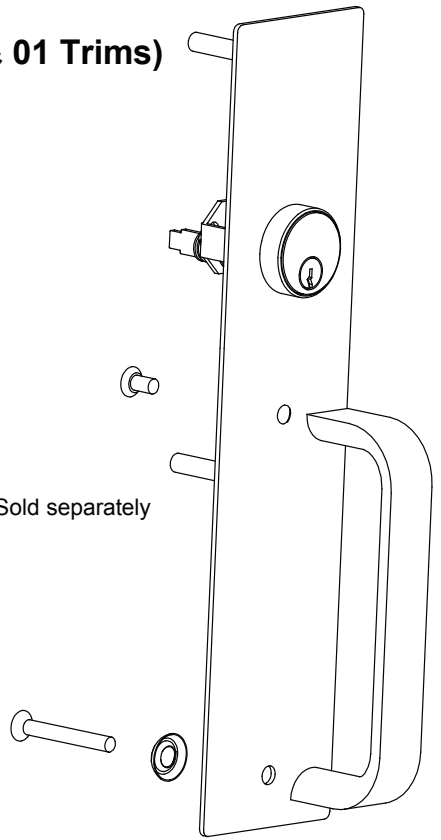
**Rim Cylinder  
Preparation**



Tailpiece Used	Door Thickness
	1-3/4" and 2" Thick Doors
	2-1/4" Thick Doors

2

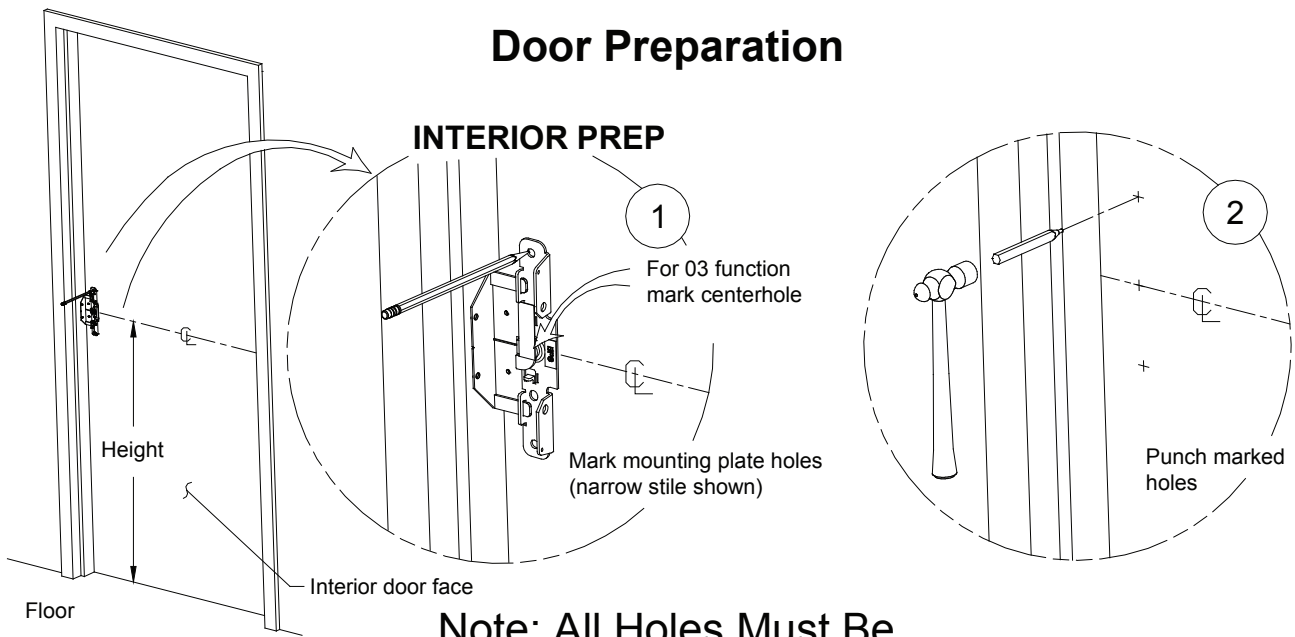
**Install  
Tailpiece Assembly**



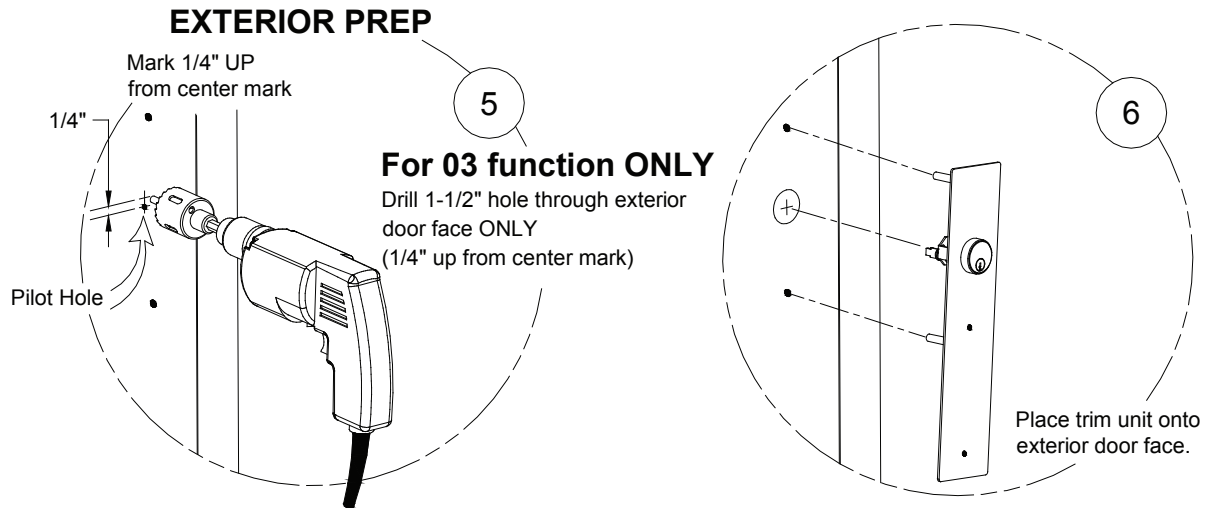
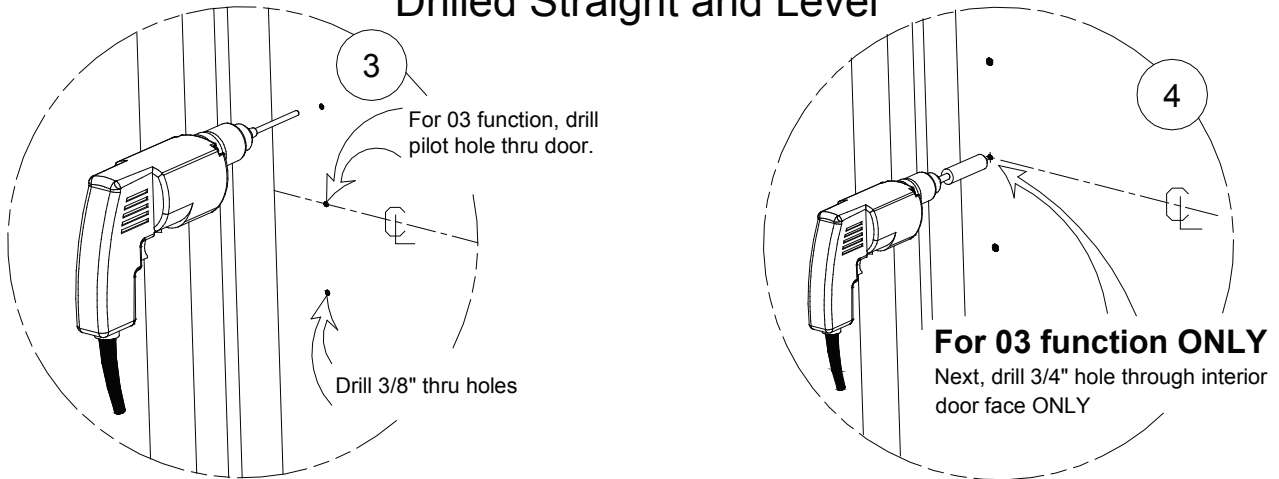
3

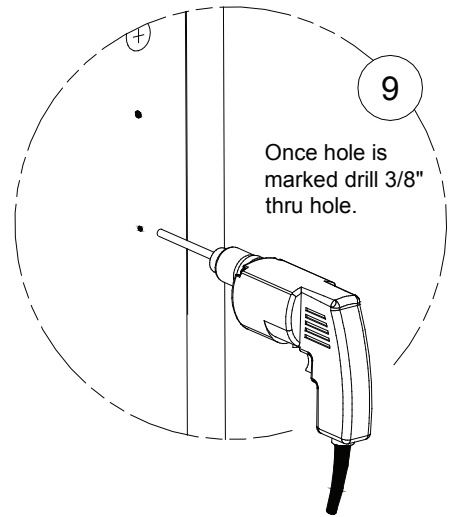
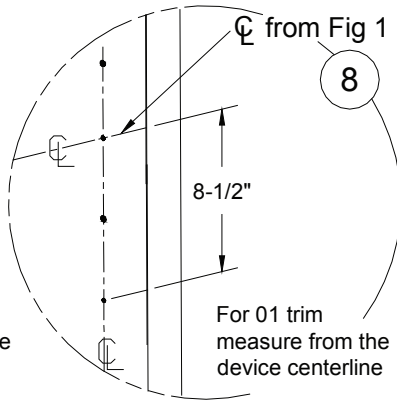
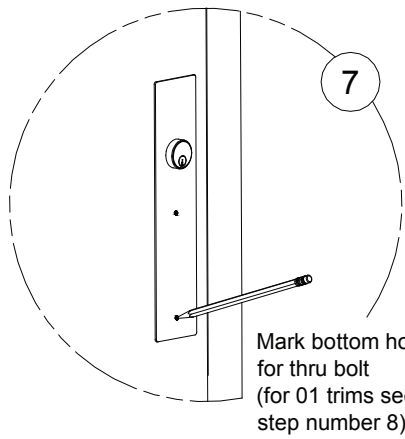
**Install  
Trim Unit on Door  
(see next page)**

# Door Preparation



**Note: All Holes Must Be Drilled Straight and Level**





## Installing the Trim

