

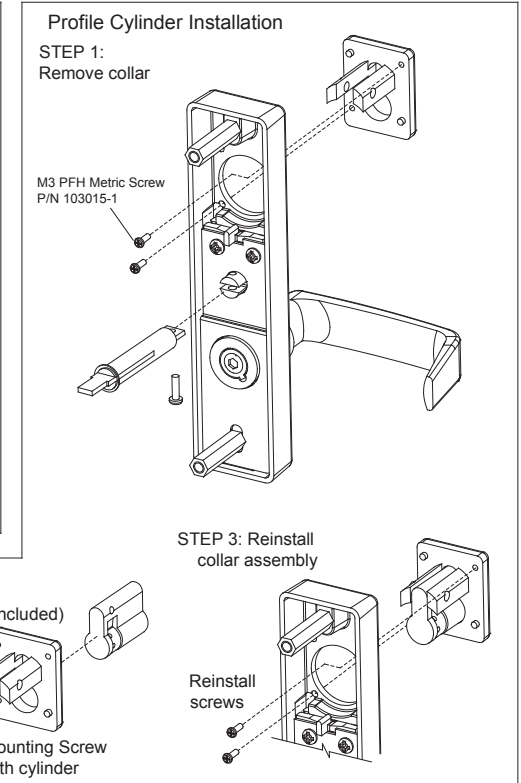
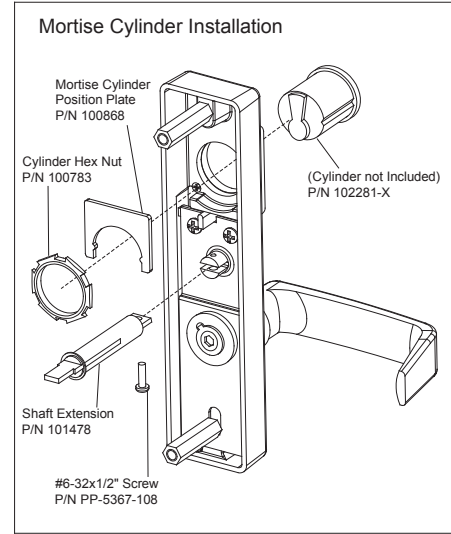
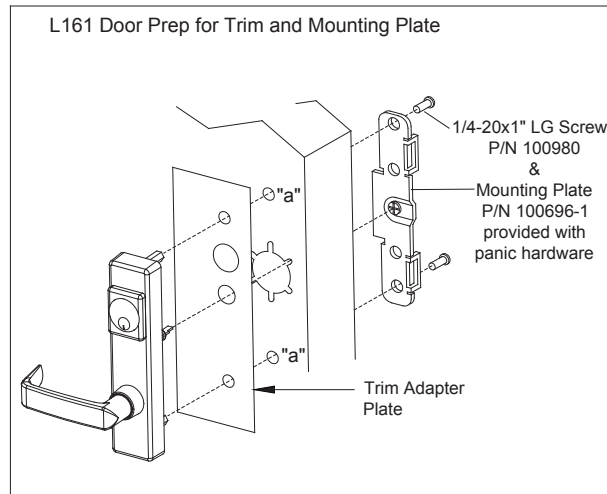
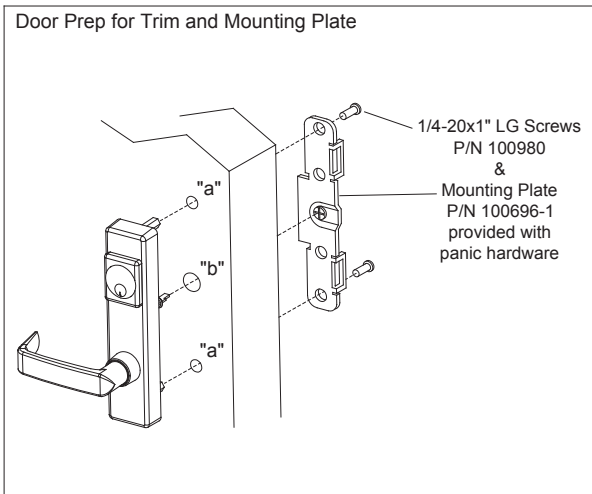
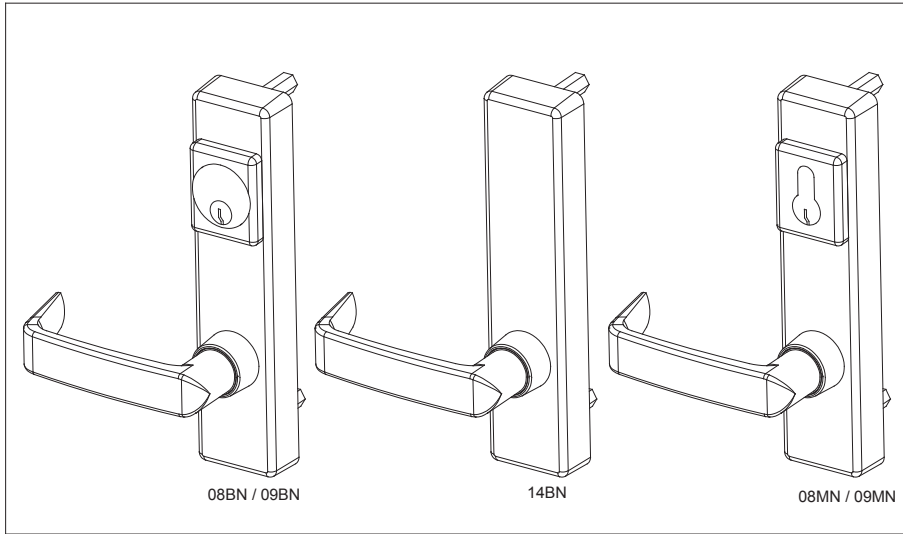


Detex Corporation, 302 Detex Drive, New Braunfels, Texas 78130-3045
 (830)629-2900 / 1-800-729-3839 / Fax (830)620-6711
 E-MAIL: detex@detex.com INTERNET: www.detex.com

102995 November 3, 2009

TEMPLATES ARE AVAILABLE ON WEBSITE

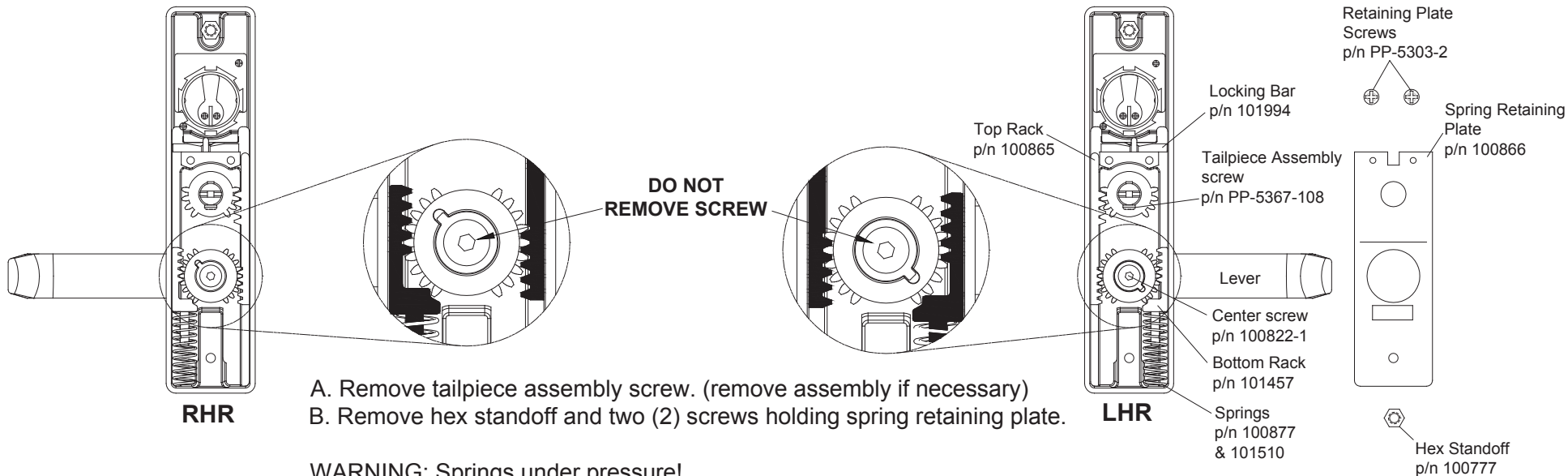
INSTALLATION INSTRUCTIONS FOR DETEX VALUE SERIES® NARROW TRIM



HOLES "a"	HOLE "b"
<p>INSIDE (Metal Doors Only)</p> <p>5/16" (8mm)</p> <p>OUTSIDE</p> <p>1/2" (13mm)</p>	<p>3/4" (20mm) THRU HOLE</p>

CHANGE LEVER HANDING

Before removing Top and Bottom Racks, note tooth positions.
If excessive play exists on handle, confirm tooth alignment.



- A. Remove tailpiece assembly screw. (remove assembly if necessary)
- B. Remove hex standoff and two (2) screws holding spring retaining plate.

WARNING: Springs under pressure!

- C. Remove Spring Retaining Plate.
- D. (09 Function only) Move Lock Bar to opposite side.
- E. Carefully remove springs and bottom rack.
- F. Remove top rack.
- G. Rotate lever to opposite side.
- H. Engage bottom rack on the opposite side as shown.
- I. Engage top rack on the opposite side as shown.
- J. Install springs on bottom rack. **WARNING: Springs under pressure!**
- K. Replace Spring Retaining Plate, hex standoff and screws.
- L. Replace tailpiece assembly screw.

Handing Complete