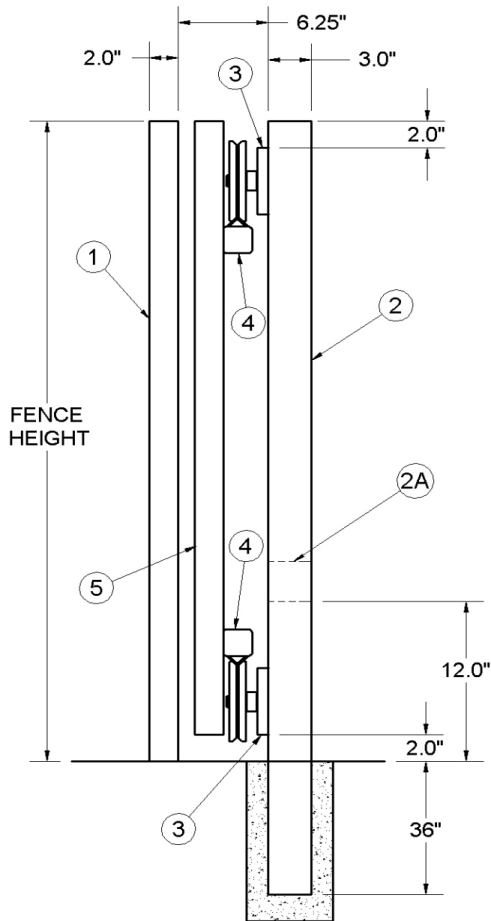


FULL CANTILEVER GATE SYSTEM-4 WHEEL SYSTEM

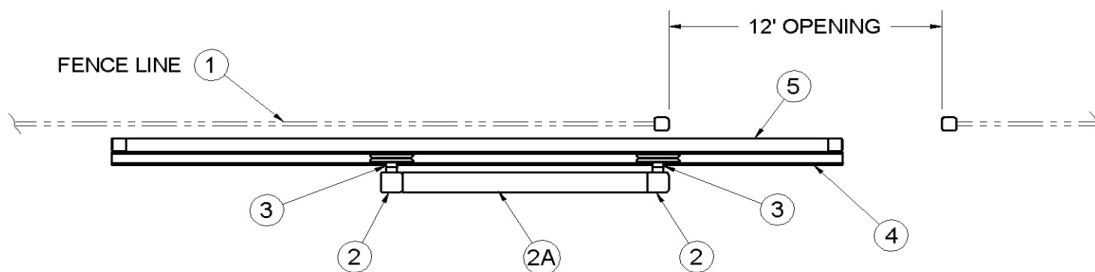


**GATE SYSTEM SPECIFICATIONS:**

- ① FENCE LINE
- ② TWO POSTS: 3 X 3 X 3/16, 4 X 4 X 3/16, OR 6 X 6 X 3/16
- ②A CONNECT TWO POSTS WITH RAIL (CAN BE USED FOR OPERATOR MOUNT)
- ③ 4 CANTILEVER WHEEL ASSEMBLIES WELD TO POST
- ④ TWO 2 X 2 CANTILEVER RAILS EITHER WELDED OR BOLTED TO GATE FRAME
- ⑤ GATE FRAME WITH SUPPORT PANEL

POSTS: 3 X 3 INCH, UP TO 12' OPENING  
 4 X 4 INCH, UP TO 22' OPENING  
 6 X 6 INCH, OVER 22' OPENING

SUPPORT PANEL LENGTH  
 UP TO 12' OPENING



SHUT IT GATE HARDWARE  
 PO Box 5464  
 TUCSON, AZ 85703

PHONE: 520-320-0680  
 FAX: 520-320-0681  
 EMAIL: SALES@SHUTITGATEHARDWARE.COM

