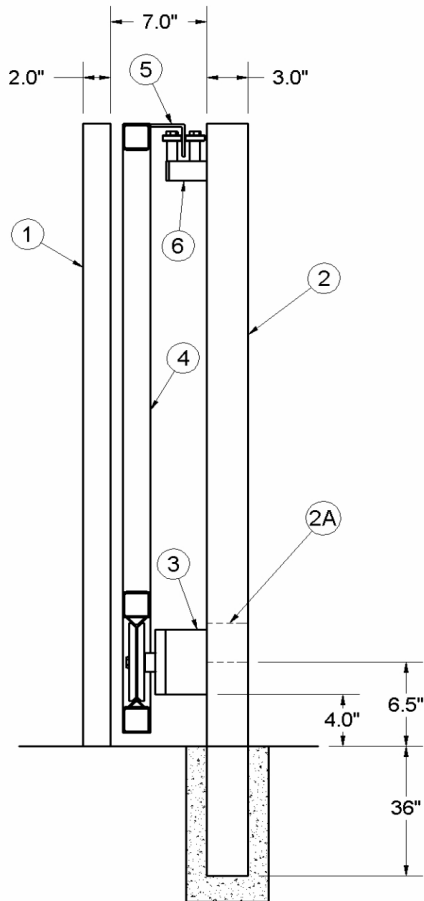
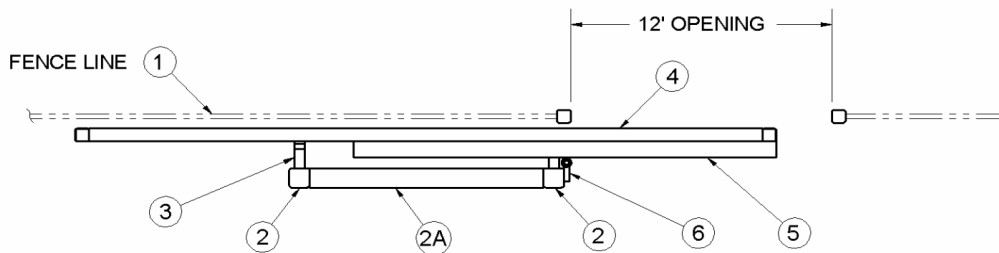


FULL CANTILEVER GATE SYSTEM-BUILT-IN



GATE SYSTEM SPECIFICATIONS:

- ① FENCE LINE
- ② 3 X 3 X 3/16 OR 4 X 4 X 3/16 POST
(1 POST AT FENCE HEIGHT)
(1 POST 24 INCH ABOVE GRADE)
- ②A CONNECT TWO POSTS WITH RAIL 6.5" UP
FROM GRADE
(CAN BE USED FOR OPERATOR MOUNT)
- ③ CANTILEVER BRACKET WITH 3" EXTENSIONS
(2 TOTAL)
- ④ GATE FRAME WITH CANTILEVER RAIL USED
AS PART OF FRAME
- ⑤ 2.5 X 2.5 X 3/16 CONTINUOUS ANGLE WELD
TO GATE FOR GUIDE
- ⑥ COUNSEL GUIDE WELD TO GUIDE POST



SHUT IT GATE HARDWARE
PO Box 5464
TUCSON, AZ 85703

PHONE: 520-320-0680
FAX: 520-320-0681
EMAIL: SALES@SHUTITGATEHARDWARE.COM

