

Oxford Wooden Gate Latch Set

Item # 4701-110

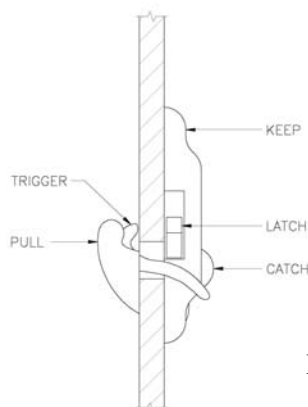
Installation and Care Instructions

Before you begin installation, please consult your local building code and/or pool code to ensure this product is suitable for your application. Periodic maintenance and testing to ensure proper operation is recommended.

1. This wooden latch is supplied in its natural state. It is suggested that each one be finished with an appropriate wood stain/sealer to suit the application you are using it for.
2. Locate the desired final position of all latch components keeping in mind the relationship between the latch bar and the trigger that lifts it. Ensure you have enough clear space for all components prior to drilling any holes.
3. Once you have determined where the latch bar and trigger mechanism will go, mark the position of the bottom of the latch bar on the gate or door and horizontally in the location you have selected. Use this mark as the center of the 1.5" hole that needs to be drilled through the gate to accommodate the trigger mechanism. Drill the hole with a block on the opposite side of the gate to minimize tear out.
4. Push the trigger mechanism through the hole and align to obtain maximum up and down movement. Also keep in mind the position of the finger actuated portion in the handle, you need to leave enough room between it and the gate to get a finger in there. Fasten with two #8 x 2" wood screws provided.
5. Place the latch bar on top of the trigger on the opposite side of the gate/door so that it is square and level. Fasten with a 1.5" or 2" wood screw through the pivot hole making sure to place the 1/4" washer between the bar and the gate. (The washer acts as a spacer to ensure the bar doesn't drag against the gate.)
6. Place the bar retainer over the latch bar and align the bottom of the slot with the bottom of the latch bar. Fasten with two #8 x 2" wood screws provided.
7. With the gate or door in the closed position place the catch on the post or jamb just under the latch bar and fasten with two #8 x 2" wood screws provided.
8. If you wish to use the supplied latch knob, drill a 1/4" hole in the latch bar and insert the latch knob with some appropriate wood glue. Tap gently to seat the knob in the hole.
9. Thoroughly test to ensure proper and desired operation and adjust as necessary.

We strongly recommend the use of a gate stop when using this or any other latch. When positioned properly a gate stop absorbs the force of the closing gate before it is transferred to the latch components.

While every effort has been made to ensure you receive a quality product, due to the physical properties and characteristics of wood we offer no warranty on this latch.



Snug Cottage Hardware Inc.
Marysville, MI USA & London, ON Canada
www.snugcottagehardware.com
Phone: (519)473-2794 - Fax: (519)474-3337

Printed in the USA