

ARCHITECTURAL

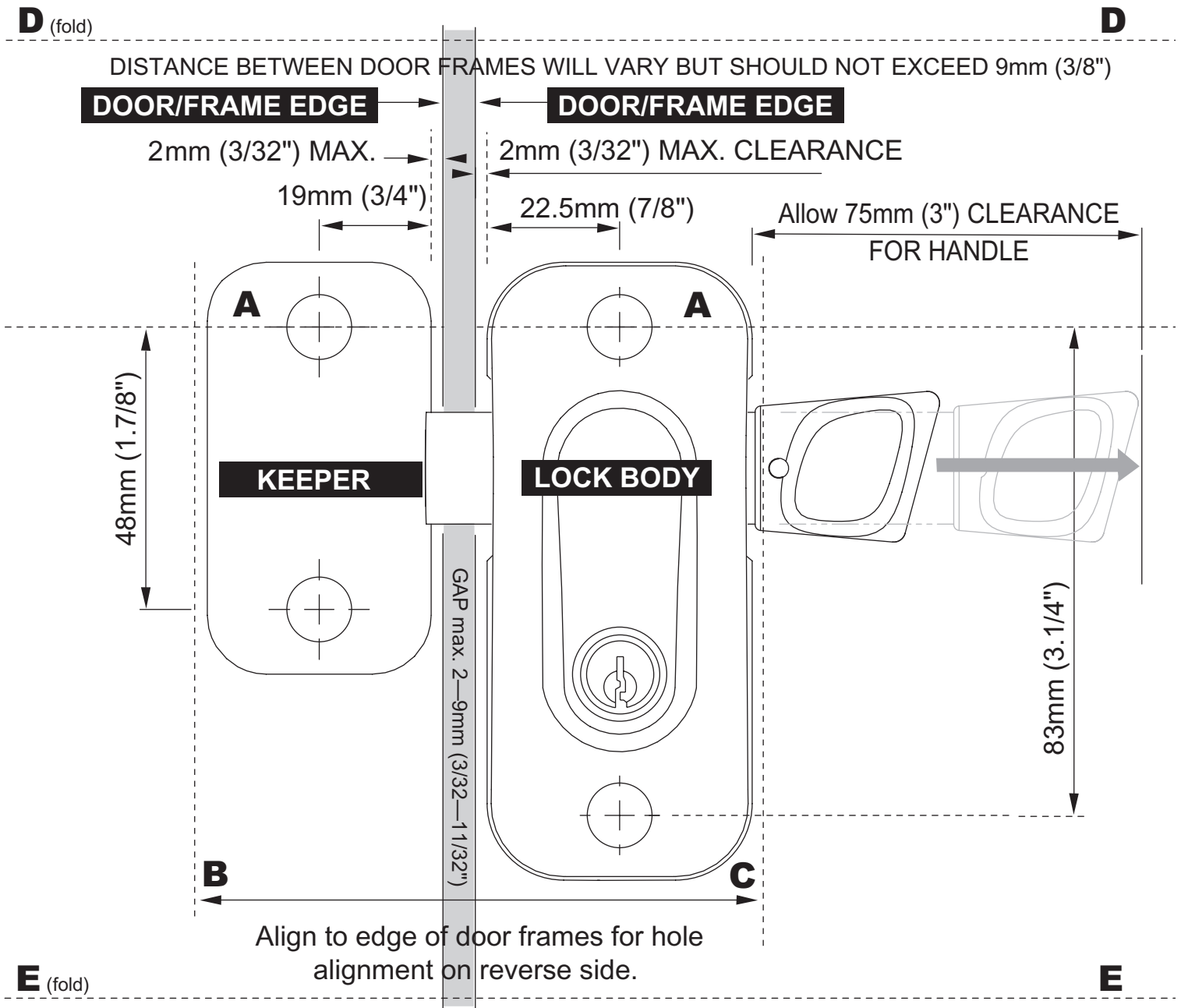


PullBolt™

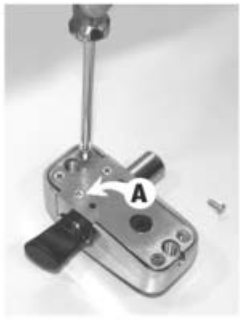
IMPORTANT: If printing these Instructions from an electronic file (e.g. website download), be sure to check that dimensions shown here measure correctly, as differences in print-outs may result in inaccurate template holes.

DRILLING TEMPLATE

PULLBOLT FACE-MOUNT MODEL



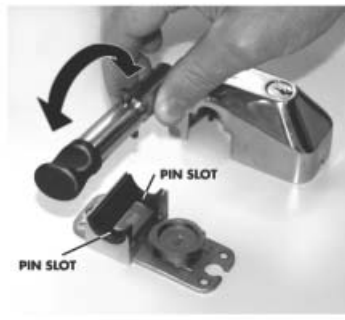
Changing from left- to right-hand fitting



1. Remove the key and place the Lock Body face down. Remove the four corner screws but **DO NOT REMOVE** the two center screws (shown at A).



2. Pick up the Lock Body with both hands, being **careful** to hold together the front and back covers (to prevent internal components moving). Turn over the Lock Body and place down on a flat surface.



3. Lift the front cover and place to one side. Lift the bolt and flip it over as shown, and place it back in the cradle so that the pin fits into the slot - either of the two slots will work.



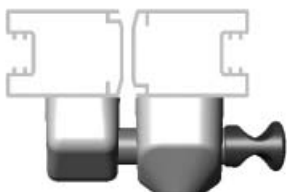
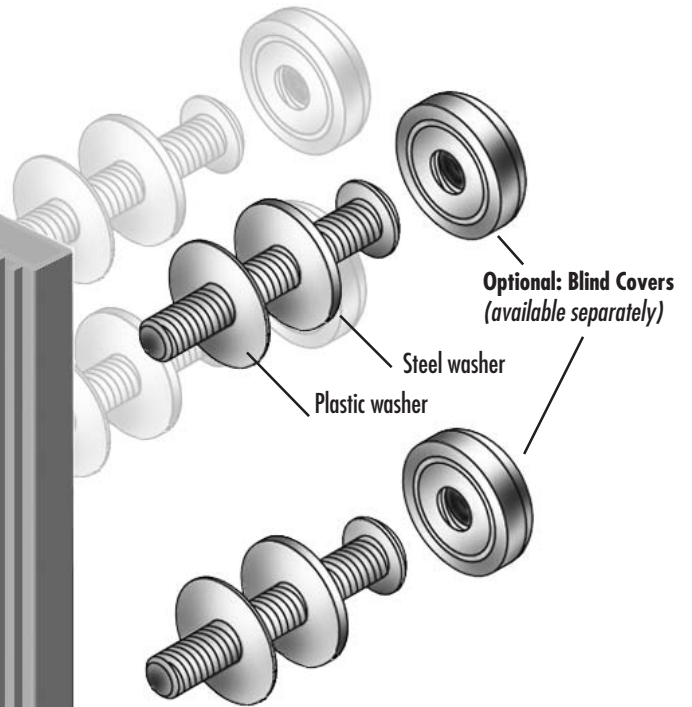
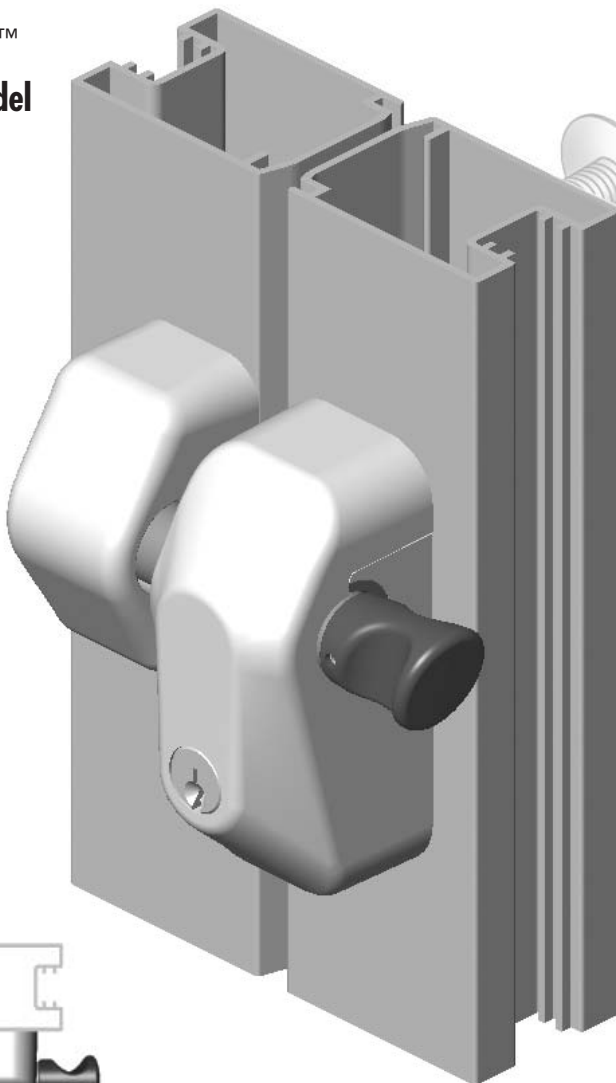
4. Replace the front cover and re-fit the four screws. **DO NOT** use power screwdrivers; use hand tools.



ARCHITECTURAL



PullBolt™
Face-Mount model



Face-Mount model



Optional: Fixing Legs (available separately)

The D&D PullBolt™ is designed to provide added security to shopfronts, doors, frames and gates. The locking mechanism is a “deadlock” design, meaning that it has to be locked in either the open or closed positions to allow removal of the key. The PullBolt has a throw of 1¹/₄” (32mm) and remains captured in the Lock Body when locked in the open position. The PullBolt is designed to be mounted on the exterior of doors and gates, so that the mounting-screw heads are concealed from manipulation.

Note: In the text below, the word “door” substitutes for “gate”.

Preparation: Before installing this D&D PullBolt™:

- ensure the maximum gap between the two mounting frames does not exceed ³/₈” (9mm). This will ensure a minimum bolt protrusion into the Face-Mount Keeper of ³/₄” (19mm).
- ensure there is at least 3” (75mm) of handle clearance to allow the bolt to retract when opening. Refer to the Drilling Template.
- ensure the handing is correct. The PullBolt is factory assembled to be mounted onto a left-hand opening door. To rotate the bolt to fit right-hand opening see the instructions on the reverse side.

Tools required: Electric or cordless drill, ⁷/₁₆” dia. (11mm dia.) drill bit, 6mm Allen key, square, hammer, centerpunch, pointed implement, pencil, adhesive tape (for temporarily taping the template to the frame as required).

Installation procedure:

- 1.** Determine the position where you intend mounting the PullBolt, and, with the pencil, mark a fine, level centerline across the face of the frames. This will be centreline ‘A’. Use the square to mark this centreline around to the sides of the frames - and then around to the rear of the frames. This is to ensure correct alignment of all drilled holes.
- 2.** Fold the drilling template at lines B, C, D and E then align the template line A with the marked centreline on the frame.
- 3.** Line up the door edge with the ‘DOOR/FRAME EDGE’ line on the template on the ‘LOCK BODY’ side, and allow a maximum of ³/₃₂” (2mm) clearance. Mark the center points in two places using a pointed implement, then centerpunch these points. Repeat this procedure for the ‘KEEPER’ side.
- 4.** Remove the drilling template and move it to the rear of the frame. Re-position the template using line ‘C’ for the LOCK BODY and line ‘B’ for the KEEPER side and follow the same alignment procedure as completed for the front. This ensures accurate, level drilling through the door sections.
- 5.** Drill ⁷/₁₆” dia. (11mm dia.) holes fully through the frame in the places marked from both sides. (Smaller pilot holes may assist drilling accuracy.)
- 6.** Place the washers under the head of the M10 mounting screws and insert the screws into the rear drilled holes. A maximum thread protrusion of ⁷/₈” (22mm) from the front of the door section and a minimum thread protrusion of ³/₈” (10mm) applies. Contact your distributor for longer screws if required, or cut to ³/₄” (19mm) if too long.
- 7.** Take the 6mm Allen key and secure the mounting screws firmly into the Lock Body and Keeper. Check to ensure that the PullBolt locks securely and that there is no interference when opening the door. The PullBolt is now ready for use.

MAINTENANCE: Lubricate the D&D PullBolt™ using only graphite powder. DO NOT use oil or grease.

WARRANTY & LIMITATION OF LIABILITY

D&D Technologies’ (“D&D”) products are warranted to be free of defects in materials and workmanship to the original purchaser for as long as he/she owns the product. This product will operate properly, and warranty is valid, only if installed in accordance with the instructions and specifications shown. If a structural defect appears, the original purchaser may return the item, freight prepaid, together with proof of purchase to D&D or its approved international agents. D&D or its agent will, at their discretion, repair or replace the defective item or part without charge to the purchaser. THIS WARRANTY SHALL NOT APPLY WHEN the product has been tampered with, when repairs or attempted repairs have been made by unauthorized persons, where the item has been subjected to misuse, abuse, accident or damage in transit, or where the installer has not followed the instructions set out during installation, operations, or Maintenance Requirements. IN NO EVENT SHALL THE COMPANY BE LIABLE FOR ANY INCIDENTAL OR CONSEQUENTIAL DAMAGES. No warranty is given other than that set out above. No other express or implied warranties (including statutory warranties) apply, other than warranties which may not be legally excluded.



D&D Technologies

AUSTRALIA: Unit 6, 4-6 Aquatic Dr, Frenchs Forest NSW 2086
 USA: 7731 Woodwind Drive, Huntington Beach, CA 92647