

*** IMPORTANT INFORMATION ABOUT YOUR 1150 ***

- When the door is closed, the system locks automatically.
- From the inside, unlock using the Lever Handle.
- From the outside, unlock by pressing 'C' (CLEAR), followed by your User Code.
- The 1150 is equipped with a **PASSAGE FUNCTION**, allowing you to leave the door unlocked.

-To enable the passage function:

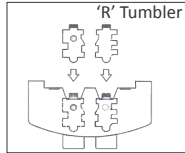
Press 'C' (CLEAR), then 'R' (PASSAGE), then enter User Code.

-To disable the passage function:

Press 'R' (PASSAGE), followed by 'C' (CLEAR).

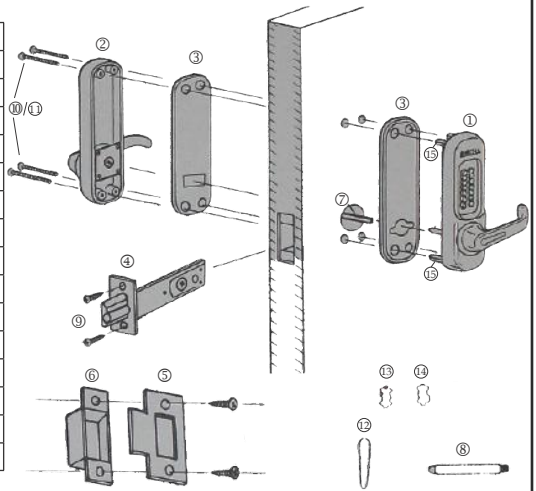
-To disable the passage function PERMANENTLY:

Remove the 'R' (PASSAGE) tumbler, leaving that slot empty.



IMPORTANT: Always press and hold the 'C' Button when removing and inserting Tumblers. Refer to 'How to Change Code' instructions on reverse side.

No.	Part Name	# Included
1	Outside Body	1
2	Inside Body	1
3	Rubber Trim Plate	2
4	Adjustable Latch	1
5	Strike Plate	1
6	Mortised Striker	1
7	Spindle	1
8	Support Pin	1
9	Tapping Screws	4
10	M5 x 55m Screws	4
11	M5 x 45mm Screws	4
12	Tweezers	1
13	Red "Code" Tumblers	1
14	Blue "Non-Code" Tumblers	1
15	Hex Bolts	4



Step 1: Change User Code/Combination (OPTIONAL)

To change user code/combination, see instructions on reverse side.

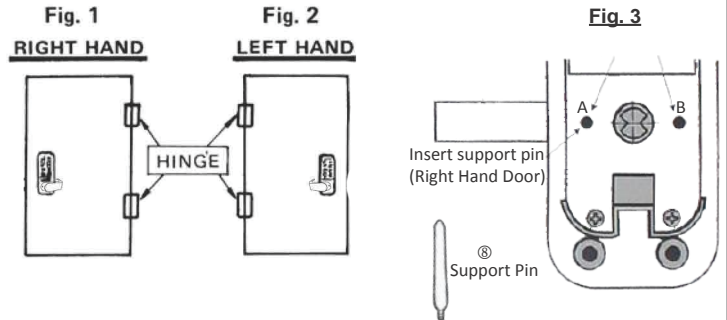
Step 2: Prep Door for Installation with Template

Place template (supplied) on door and fold along door's edge. Mark holes for 2 3/8" or 2 3/4" backset. Drill holes as instructed.

Step 3: Identify Door Handing & Install Support Pin

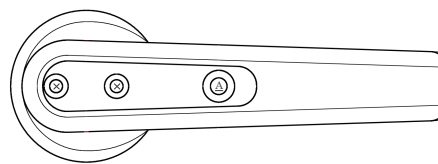
Right-Hand Doors – From exterior of door, hinges are on right-side (Fig. 1).
Left-Hand Doors – From exterior of door, hinges are on left-side (Fig. 2).

For Right-Hand Doors: Install Support Pin (#8) in position 'A'.
For Left-Hand Doors: Install the Support Pin (#8) in position 'B'.

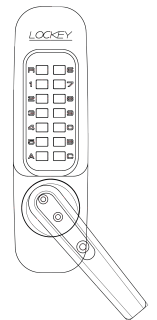


Step 4: Confirm/Change Lock Handing

Change lock handing to match door handing (if necessary):
Note: Levers should point towards the door hinges.
First, remove screw from backside of lever handle (labeled A). This releases the plate from the front of the lever handle. Remove plate and two screws. Switch lever handle direction. Replace screws and plate, fasten. Repeat on Inside Body (#2).



Slip Clutch

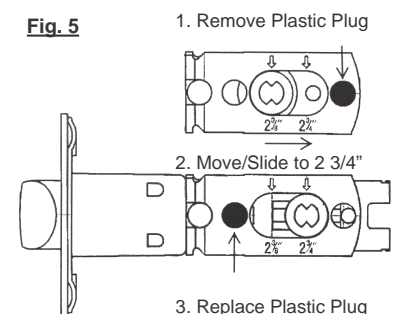


The 1150 is equipped with a built-in slip clutch lever handle to prevent damage in the event of an attempted forced entry. If lever handle is in position shown (far right), pull lever back to desired position.

Step 5: Adjust Latch (if necessary) and Install

Adjustable Latch (#4) is preset to 2 3/8" backset.
To adjust: Remove plastic plug, slide to 2 3/4", and replace plastic plug as shown (Fig. 5).
Insert Adjustable Latch (#4) into the door. Secure with two screws.

Fig. 5



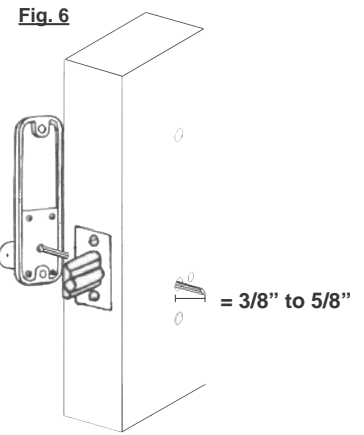
INSTALLATION INSTRUCTIONS CONTINUED:

Step 6: Verify Correct Spindle Length (Fig. 6)

With Adjustable Latch (#4) installed, hold the Inside Body (#2) and Rubber Trim Plate (#3) to the door. Place Spindle (#7) through Latch, into the Inside Body, as far as possible. Spindle should extend from exterior of door 3/8" min. to 5/8" max. If Spindle (#7) is too long, cut it to the correct length using pliers.

***IMPORTANT:**

If spindle extends less than 3/8" it may not engage the lock.
If spindle extends more than 5/8", it will cause the lock to bind.



Step 7: Install the 1150

Place the Rubber Trim Plate (#3) on the backside of the Outside Body (#1). Place the Outside Body on the door. The Hex Bolts (#15) should extend into the top and bottom holes. The Support Pin (#8) should extend through the hole in the Latch (#4). Insert the Spindle (#7) into the Outside Body (#1) ensuring it's in the proper angled position.

***IMPORTANT: SPINDLE POSITION/ANGLE**

RIGHT-HAND DOORS: From inside, place spindle through Latch, into the Outside Body in the 2:00/8:00 position (Fig. 7).
LEFT-HAND DOORS: From inside, place spindle through Latch, into the Outside Body in the 10:00/4:00 position (Fig. 8).

Fig. 7
Right-Hand Door
(INSIDE DOOR)

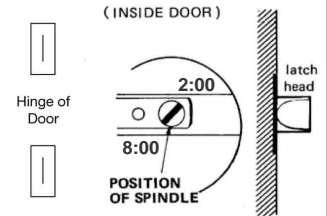
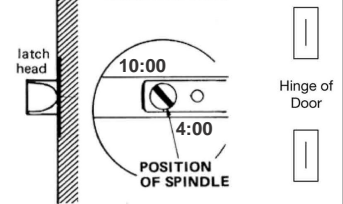


Fig. 8
Left-Hand Door
(INSIDE DOOR)



Place the Rubber Trim Plate (#3) and Inside Body (#2) on the inside of the door.

Using a screwdriver, secure the lock to the door with screws.

(Screw length is dependent on door thickness.)

Test the operation of the latch by turning the inside lever.

Locate position where latch strikes door frame and install Strike Plate (#5) and Mortised Striker (#6).

TEST YOUR LOCK: Press 'C' button (clear), followed by your combination. Push lever down and lock will open.

TEST PASSAGE: Press 'C', followed by 'R', followed by combination. Lock should remain unlocked (passage).

TO LOCK: Push 'R', followed by 'C'. Lock will remain locked.

NOTE: If lever handle must be pulled up to unlock, change spindle position/angle (see figures 7 and 8).

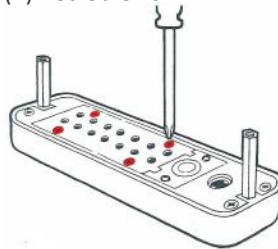
If latch sticks: First, make sure Support Pin (#8) is in place. Second, verify correct spindle length (see step 6).



How to Change User Code/Combination

- Using a #2 screwdriver, remove the four (4) Red Screws.
- Carefully remove cover plate.

WARNING: Springs are attached to plate.

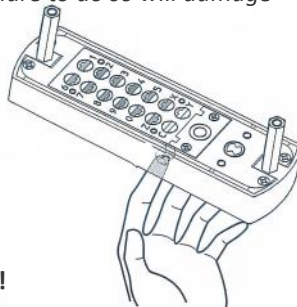


'C' = CLEAR (DO NOT REMOVE)

'Y' = PASSAGE ('Y' Tumbler may be removed to disable PASSAGE FUNCTION)

- PRESS & HOLD 'C' BUTTON to release tumblers.

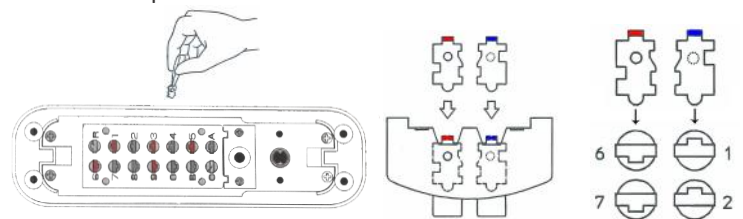
IMPORTANT: 'C' button **MUST** be pressed and held down when removing and inserting tumblers. Failure to do so will damage the lock and void the warranty.



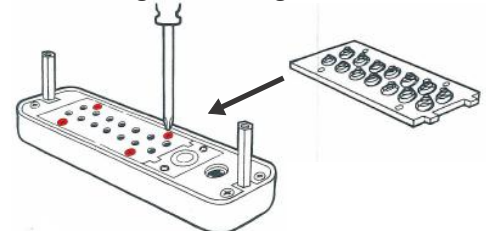
WARNING:

Do NOT force tumblers into position!

- While holding the 'C' BUTTON, remove/add **CODE (Red)** and **NONCODE (Blue)** tumblers to create your desired code.
Ex: 3 Red = 3-Digit Code / 6 Red = 6-Digit Code
- After changing your code, release the 'C' BUTTON to secure the tumblers in place.



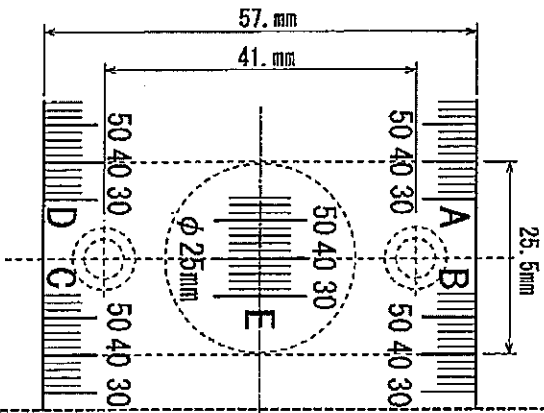
- Replace the cover plate and secure with four (4) Red Screws, using a #2 screwdriver.
- TEST CODE before installing/re-installing lock.



For more helpful tips and installation instructions, visit www.LOCKEYUSA.com

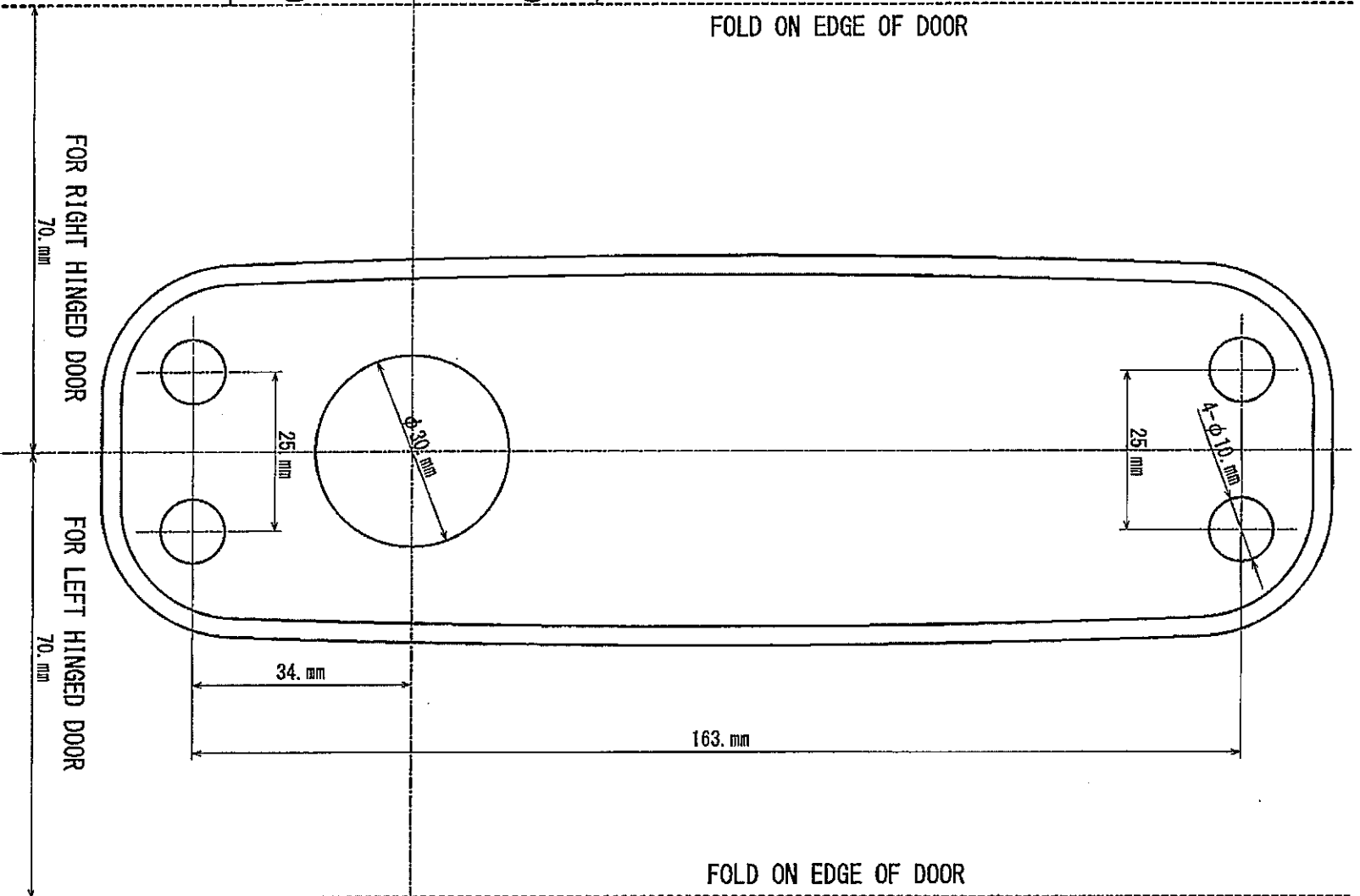
TEMPLATE
ADJUSTABLE
RH LATCHBOLT
BS70

NO. MJ

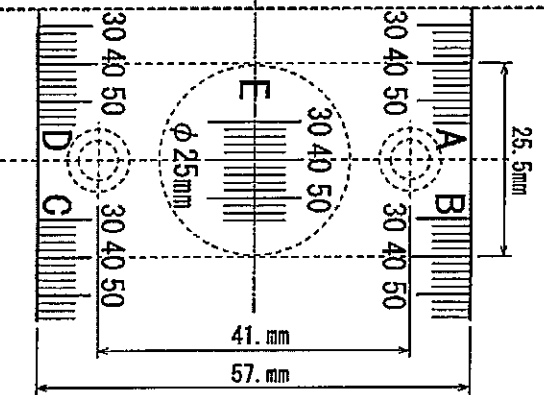


MEASURE CENTER FOR
 25mm HOLE FOR LATCHBOLT
 OR ADJUST AS NECESSARY

FOLD ON EDGE OF DOOR



FOLD ON EDGE OF DOOR



MEASURE CENTER FOR
 25mm HOLE FOR LATCHBOLT
 OR ADJUST AS NECESSARY