

Magna•Latch® 2" GATE GAP SPACER

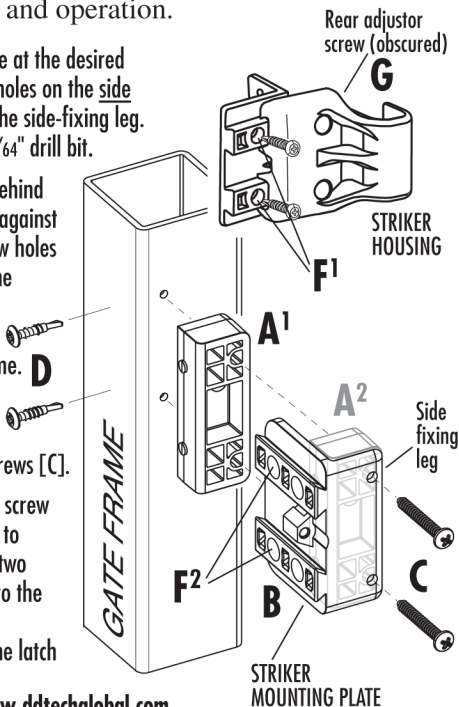
The Magna•Latch® comes standard with a gate gap variance of $\frac{3}{8}$ " to $\frac{1}{16}$ ". For larger gaps of $1\frac{1}{2}$ "–2", install this spacer behind the Striker Mounting Plate to ensure proper latch installation and operation.

1. Place the Striker Mounting Plate at the desired height on the gate. Mark the two holes on the side of the gate with a pencil through the side-fixing leg. Pre-drill the two holes using an $\frac{11}{64}$ " drill bit.

2. Place the 2" Gate Gap Spacer behind the Striker Mounting Plate [B] up against the side-fixing leg so that the screw holes on both line up (see the dashed line between A¹ & A²). Place both the mounting plate and gap spacer against the corner of the gate frame.

3. Secure the two components together and to the gate frame using the two $1\frac{5}{8}$ " self-tapping screws [C].

4. Unwind the (obscured) adjustor screw "G" in the Striker Housing enough to expose the two holes [F¹]. Fix the two remaining self-drilling screws [D] to the face of the Striker Mounting Plate. Readjust the adjustor screw until the latch functions smoothly.



www.ddtechglobal.com

D&D Technologies MLINSTR0020PA

•instr_ddtech_23/2/06

7731 Woodwind Drive, Huntington Beach, CA 92647. Tel (800) 716-0888.