

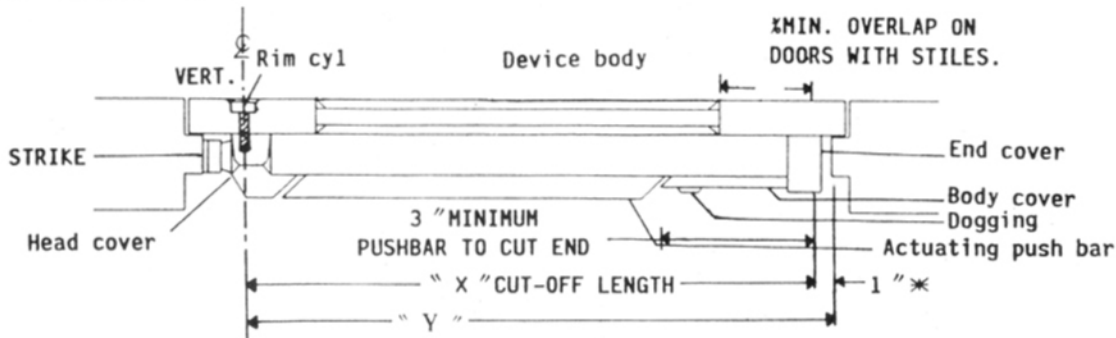
INSTALLATION INSTRUCTION FOR RIM TYPE PANIC EXIT DEVICE



Series No. PEB710A
PEB715B

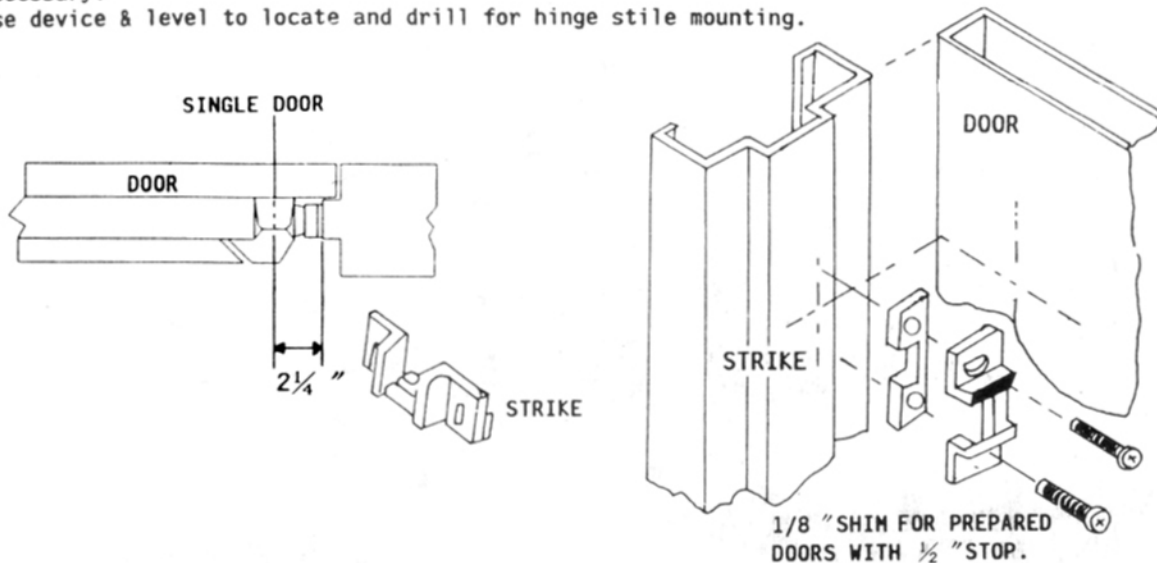
1. DETERMINE DEVICE LENGTH REQUIRED

- A. Locate vertical C/L on door for this installation.
- B. Measure distance "Y" from vertical C/L to stop surface on hinge side See FIG. 1.
- C. Subtract 1" for clearance. *NOTE: FOR DOOR STILES LESS THAN 2 1/4"
- D. Length of device from C/L chassis mounting WIDE, SUBTRACT 3/4".
to cut end equals "X".



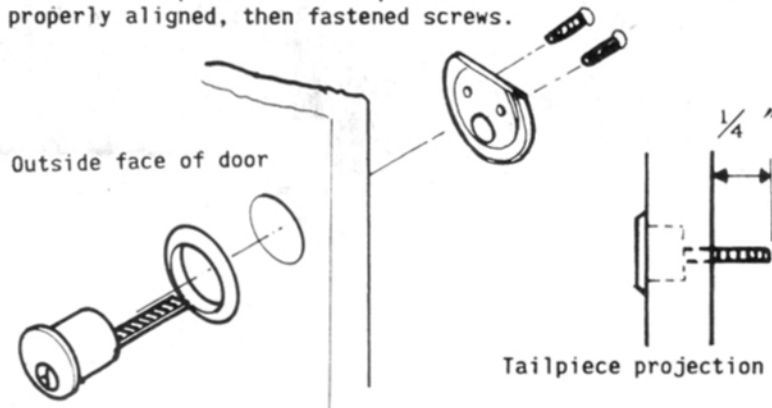
2. INSTALLING

- A. If frame has 1/2" stop, fold template and align center lines on template with center lines on door and spot mounting holes for LATCH ASSEMBLY ONLY. Then MOVE template up against stop and spot mounting hole for Strike. Drill holes as described on template.
- B. Note special Shim shown at right, which is mounted beneath Strike. If frame has 5/8" stop, shim is not necessary.
- C. Use device & level to locate and drill for hinge stile mounting.



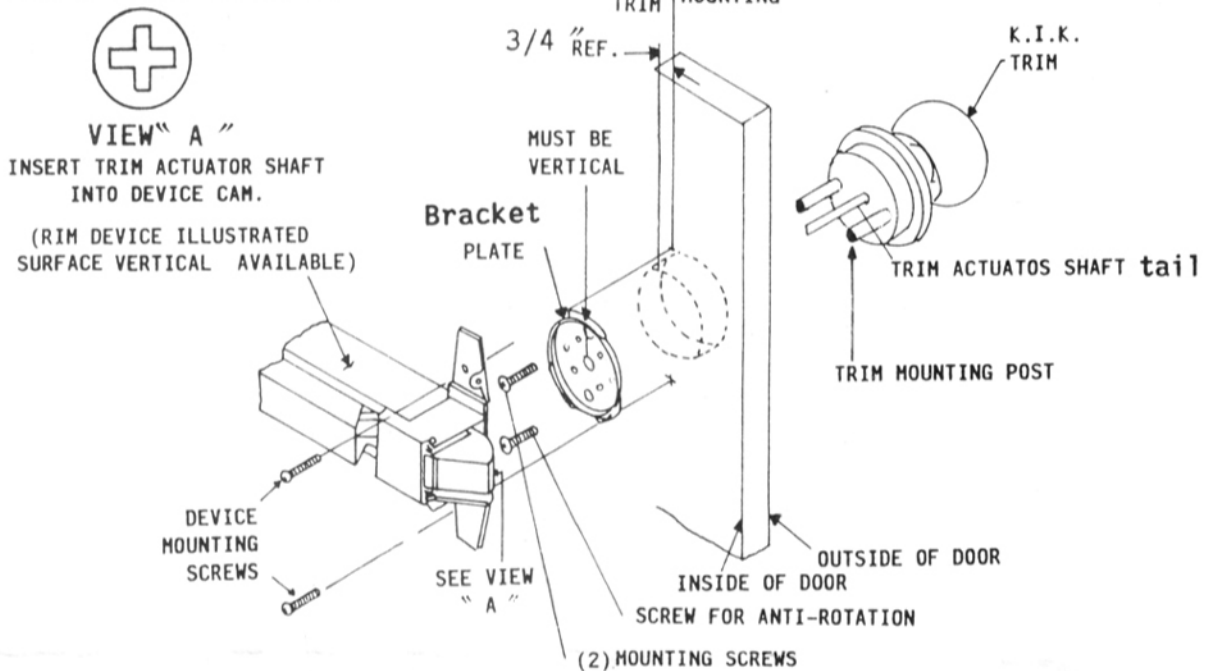
3. IF CYLINDER INCLUDED WITH THE DEVICE

- A. Drill one hole 1 1/4" for the cylinder. Insert cylinder and ring from outside of the door, place bracket on the inside of the door, and insert 2 cylinder screws thru the plate, into cylinder.
- B. Cut the cylinder screws and tailpiece to the required door thickness at the break-off points. Checking the plate properly aligned, then fastened screws.



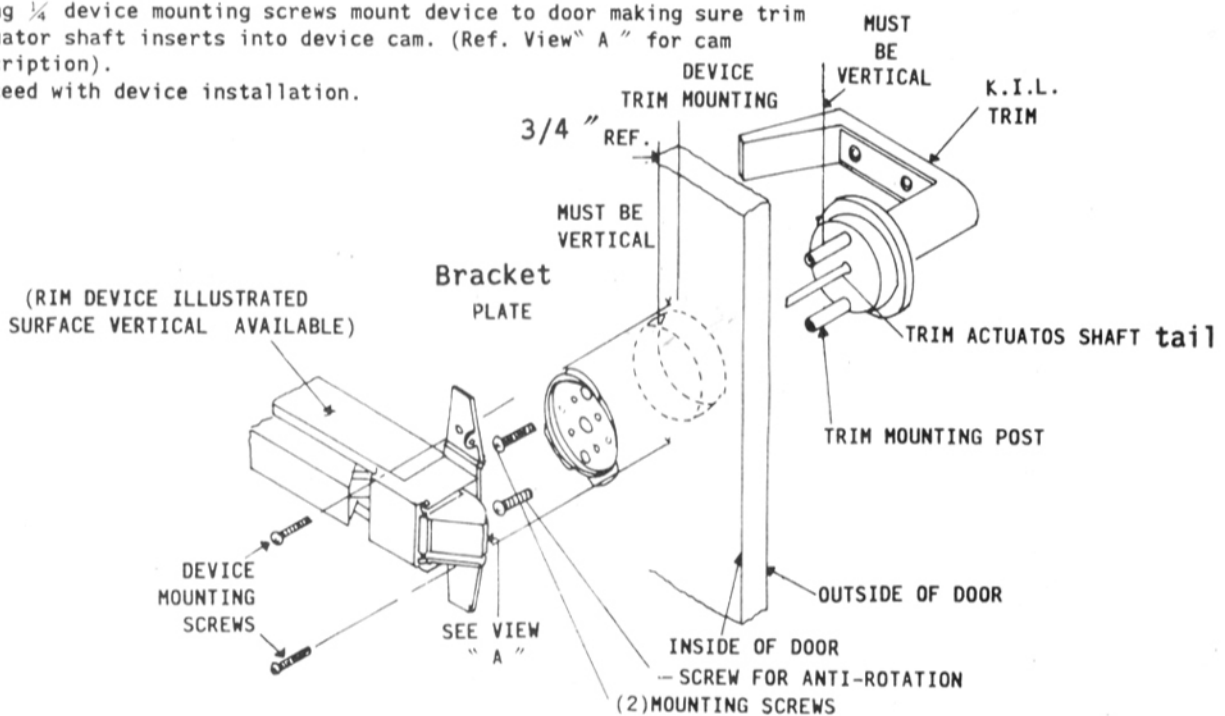
4. IF KEY-IN-KNOB INCLUDED WITH THE DEVICE

- Prepare door to accept K.I.K. trim with ANSI door prep. Prepare door to accept device.
- Insert K.I.K. trim into outside face of door. NOTE: Trim actuator shaft must face bevel edge of door.
- Secure K.I.K. trim with inside of door bracket plate. Insert (2) mounting screws thru bracket plate and into trim mounting posts. Tighten securely. Install screw for anti rotation.
- Using $\frac{1}{4}$ device mounting screws mount device to door making sure trim actuator shaft inserts into device cam. (Ref. View "A" for cam description).
- Proceed with device installation.



5. IF KEY-IN-LEVER INCLUDED WITH THE DEVICE

- Prepare door to accept K.I.L. trim with ANSI door prep. Prepare door to accept device.
- Insert K.I.L. trim into outside face of door. NOTE: Trim actuator shaft must face bevel edge of door.
- Secure K.I.L. trim with inside of door bracket plate. Insert (2) mounting screws thru bracket plate and into trim mounting posts. Tighten securely. Install screw for anti rotation.
- Using $\frac{1}{4}$ device mounting screws mount device to door making sure trim actuator shaft inserts into device cam. (Ref. View "A" for cam description).
- Proceed with device installation.

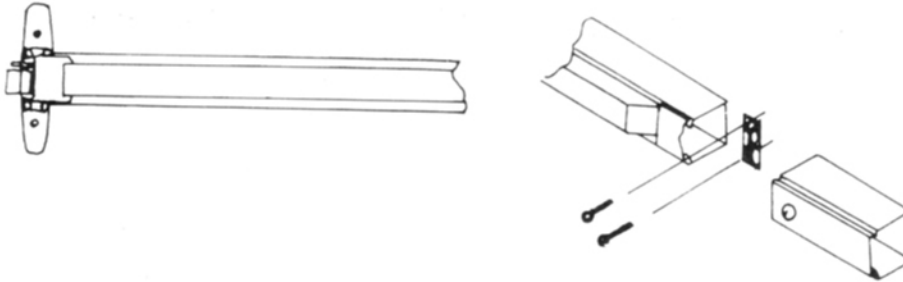


6. INSTALLING HARDWARE

A. Mount Device – throughbolt device chassis to trim or sexbolts.

B. Install mounting bracket on device and bolt to door. (Make sure device is level). Remove body cover for easier access.

C. Tighten all bolts.



7. INSTALLING THE STRIKE AND COVERS

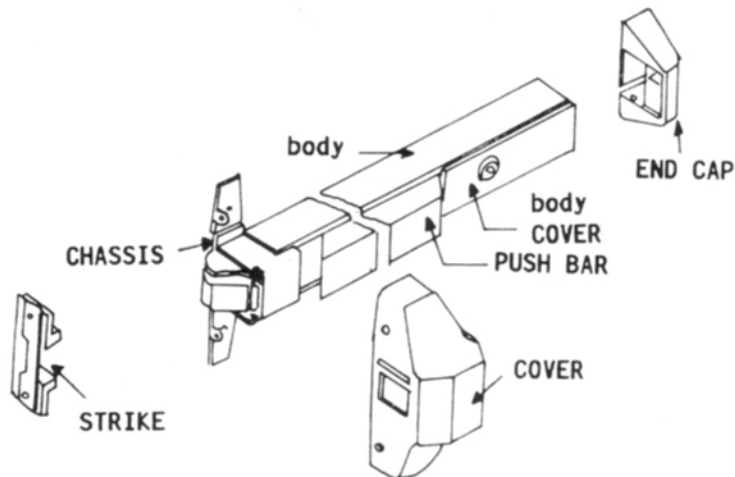
A. Apply strike to door stop.

B. Attach cover to chassis.

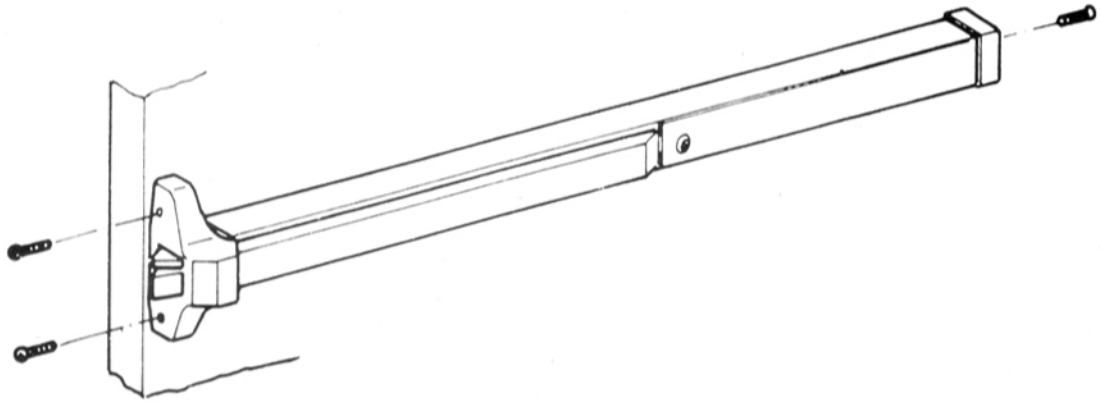
C. Install body cover.

D. Attach end cap.

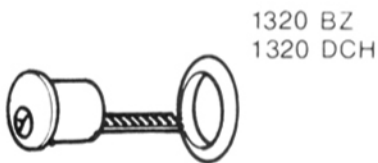
E. Check for smooth operation and secure latchbolt engagement. Adjust strike if required.



PUT ON BOTH HEAD AND END COVER



ACCESSORIES



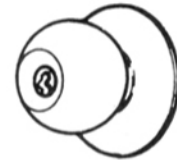
1320 BZ
1320 DCH

Rim Cylinder Complete
Satin Chrome or Duranodic Finish
Solid Brass Rim Cylinder
complete with Adaptor Ring,
5 pin tumbler, Key Cylinder



P510
PC510

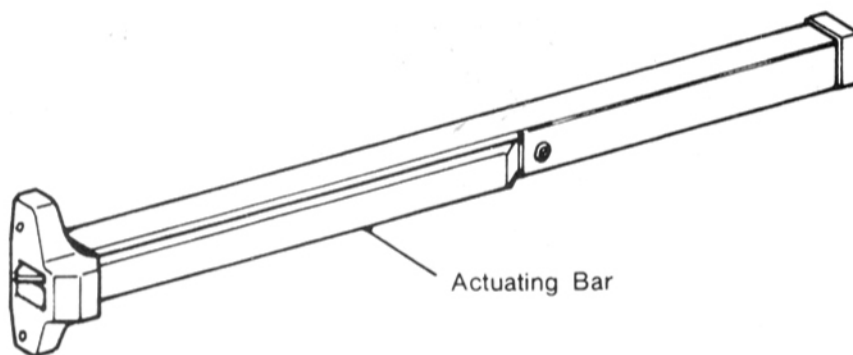
Pull Plate with and Without
Cylinder Hole
Wrought Steel
Painted-Aluminum, Duranodic
Specify Finishes



Ball Knob Key Lock
Standard key function for panic
device. Cylinder locks or unlocks
knob. When unlocked, knob
retracts latch bolt.
Satin Stainless Steel Finish

NOTICE

**To extend the life of this panic device,
lock the latch as retracted when door
is in continuous activity.**



TO LOCK: Hold actuating bar down, turn dogging device counter-clockwise.
TO UNLOCK: Hold actuating bar down, turn dogging device clockwise.