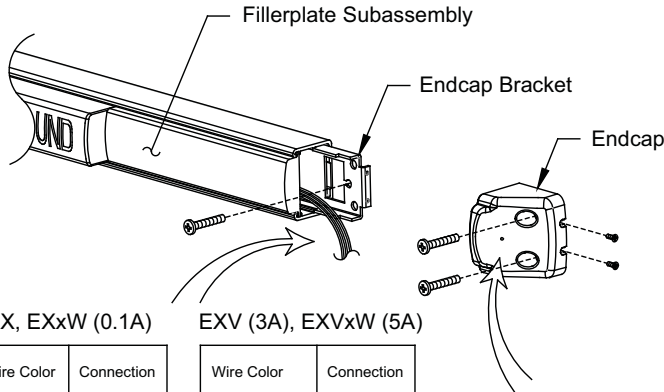


# Value Series x EX Fillerplate Retrofit Instructions



Detex Corporation, 302 Detex Drive  
 New Braunfels, Texas 78130  
 (830) 629-2900 / 1-800-729-3839 / FAX (830) 629-6711  
 E-MAIL: detex@detex.com  
 INTERNET: www.detex.com

## WIRING OPTIONS



EX, EXxW (0.1A)

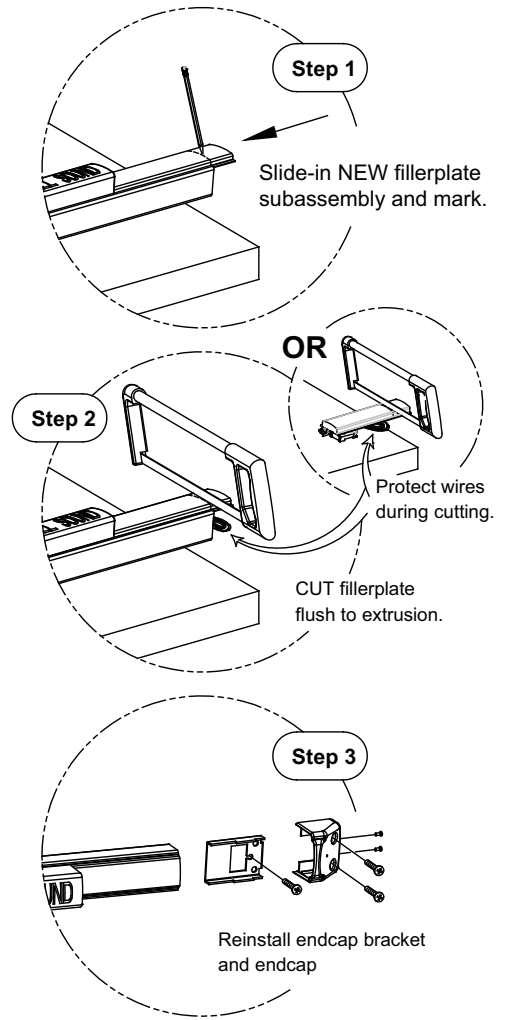
Wire Color	Connection
Brown	Common
Gray	Closed
Yellow	Open

EXV (3A), EXVxW (5A)

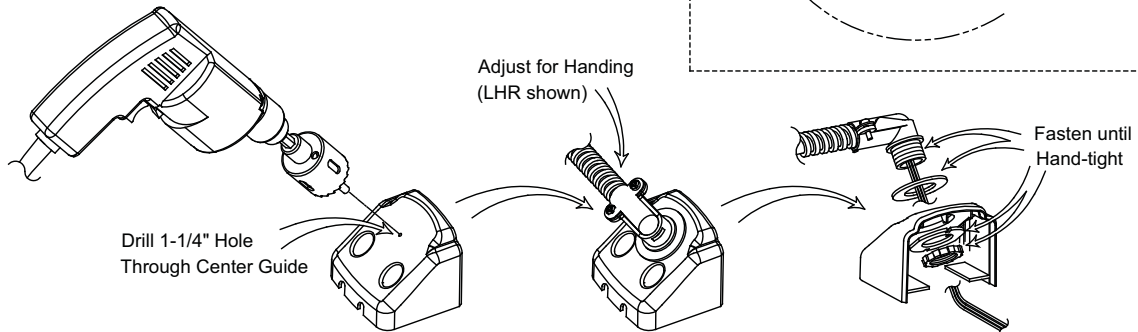
Wire Color	Connection
Brown/Red	Common
Gray/Red	Closed
Yellow/Red	Open

INSTALL Armored Cable Kit as shown below

## CUT-OFF PROCEDURE (If Required)



## ARMORED CABLE KIT



- Note: (1) Use enclosed waterproof wire connectors.  
 (2) For high traffic areas an electric through-wire hinge or power transfer is recommended.