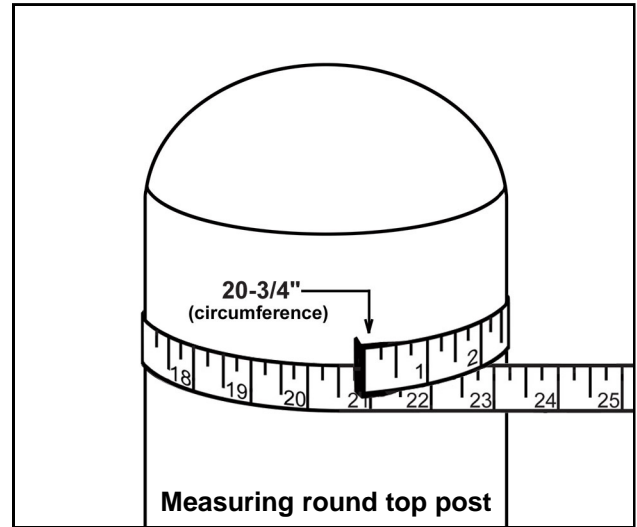
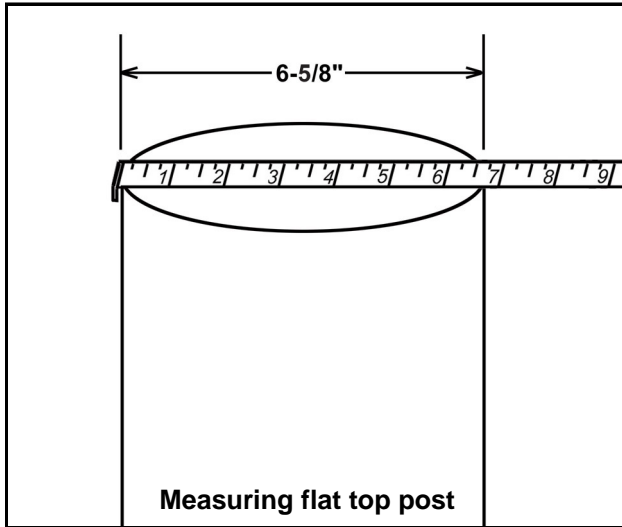


Measuring Post Size (Diameter)

Unless your existing post is flat on the top, you will have to measure the circumference of the post to figure out the diameter. This is not a difficult thing to do. Follow the formula below to figure the diameter of your post. If your post is flat at the top, simply measure across the widest area for the post diameter.



How to figure which sleeve size to order:

1. Measure the circumference (distance around the post) you wish to cover.
2. Take that dimension and divide by pi (3.14) to receive the pipe size.
3. The bumper post sleeve you would need is a 6"

Example: circumference is 20.75"
divide by 3.14, $20.75 / 3.14 = 6.608$
pipe size is 6 5/8"

Order the 6" size...fits 6" to 6-5/8"