



Arbor Assembly

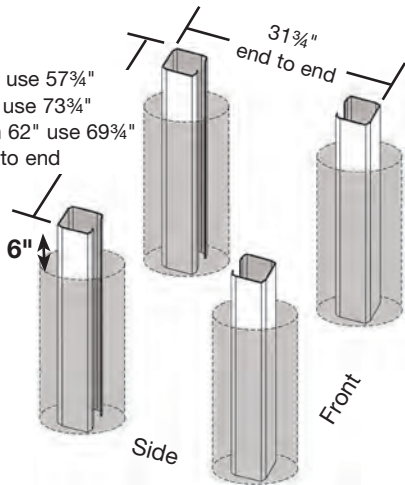


Assembly Instructions For These Arbors:

- Madison
- Heritage
- Kingston
- Jefferson
- Victorian
- Kinzer
- Arbor Seat Assembly

Please read and follow these instructions. Refer to list of contents on back page.

For 50" use 57 $\frac{3}{4}$ "
 For 66" use 73 $\frac{3}{4}$ "
 For Victorian 62" use 69 $\frac{3}{4}$ "
 end to end



1

Post anchors should be positioned exactly according to the measurements shown above. Anchors must be plumb and should be secured in concrete with approximately 6" of the anchors above the ground. Make sure that the anchor layout is square and that open ends of anchors face each other as shown.



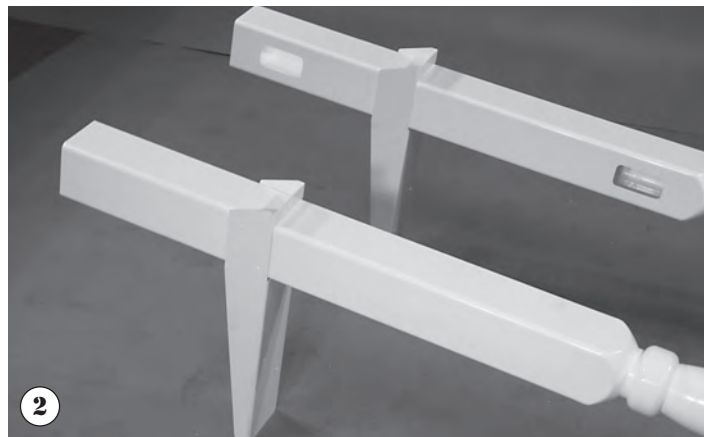
3

Adjust the seat bracket so that the top is at the height you desire and secure in place with a screw, as shown. A common chair seat height is 18" from the floor to the top of the seat. Install brackets on posts on both side walls.



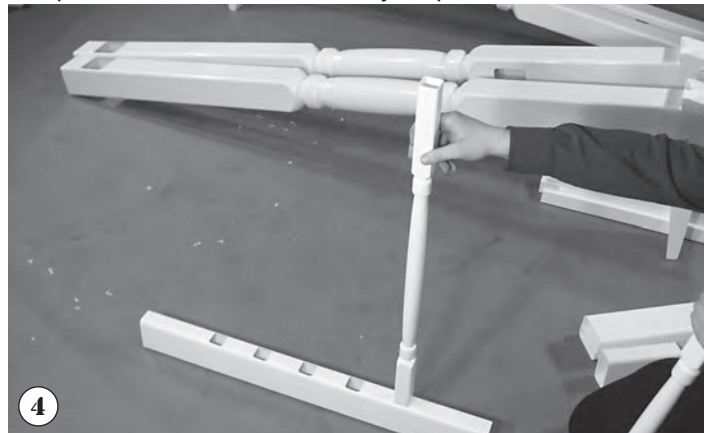
5

Complete bottom railing assembly by fitting top railing over the balusters, starting at one end and inserting balusters into the rail one at a time.



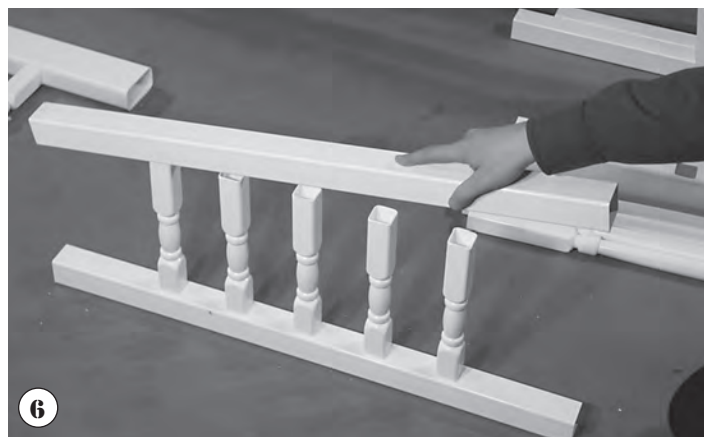
2

On a flat surface, position posts with sockets for the bottom railing opposing each other, as shown, and top corner brace sockets orientated correctly (See Figs #12 & 13). Slide the bench brackets over the bottom of the posts so that the top of the bracket is at a 90° angle to the post. Bench brackets fit any 4" posts.



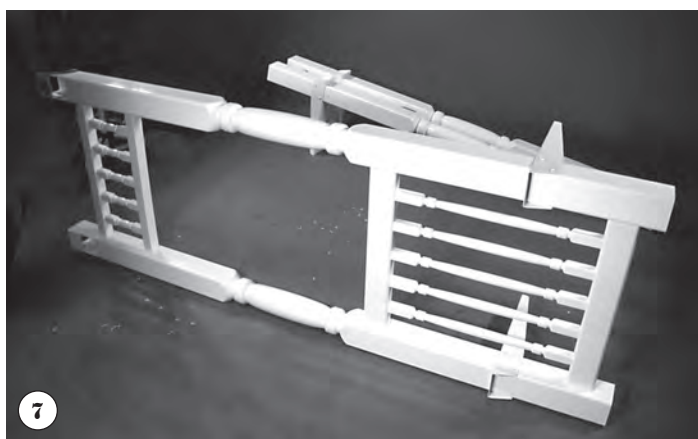
4

Assemble the bottom railing by first inserting balusters into the bottom rail. Shown here are either the Heritage, Victorian, Kinzer, or Madison. If you purchased the Kingston arbor, go to Fig #23, If you purchased a Jefferson arbor go to Fig #27.

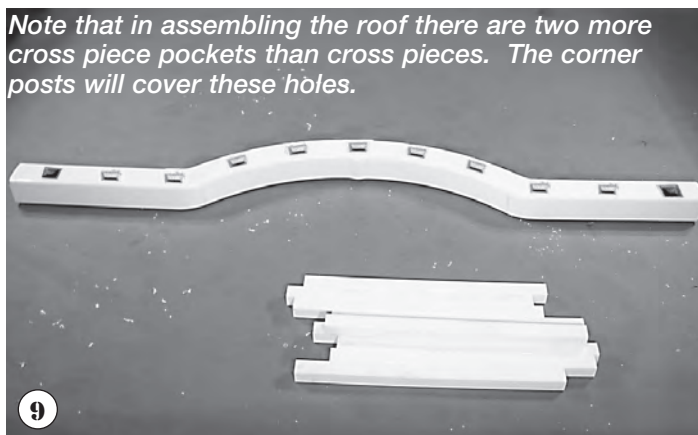


6

Top railing assembly is completed like the bottom railing assembly.

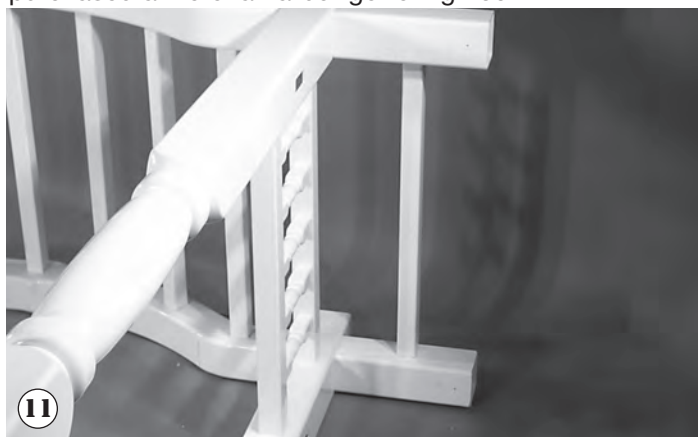


7
Fit ends of top and bottom railing assemblies into a post, finishing the sub assembly by sliding the other post into place. Complete both side walls, screw the railing assemblies to the posts, and set aside.



Note that in assembling the roof there are two more cross piece pockets than cross pieces. The corner posts will cover these holes.

9
Assemble the roof by inserting the cross pieces into the beams. These arbors provide for either of two widths which determines how the cross pieces are configured. Figure #12 shows the narrow configuration while Figure #13 demonstrates the wider configuration. If you purchased a Victorian arbor go to Fig #30.



11
Shown in the narrow configuration, the assembly is now ready for installation of the corner braces. Insure that the side walls are the proper width apart (Refer to Fig #1. Top of side walls must be the same as the distance between the anchors).



8
Finished, a side wall is ready to be put into the arbor. Notice how the post is routed to accommodate the railing and roof sub assemblies, especially the corner braces. See Figs #12 & #13 for more information in determining post orientation. Having the posts orientated correctly when beginning the assembly is required.



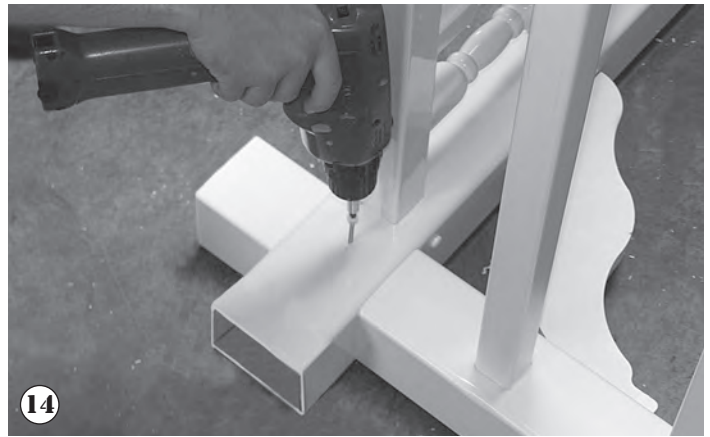
10
Position the side walls and roof, as shown, and slide ends of roof into the sockets of the side walls.



12
There should be an equal amount of roof beam protruding through the wall on both sides. Install corner braces driving screws into the roof beams.



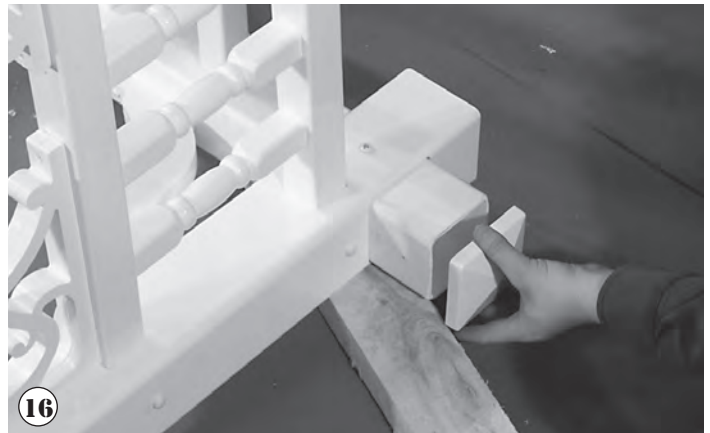
13 With the arbor configured in the wide position, the corner braces are installed on the inside.



14 After corner braces are screwed into place drive a screw through the post into the roof beam.



15 Apply a moderate amount of PVC adhesive on the inside of the roof beam end caps.



16 Support the wall and glue end cap and spade cap into place, as shown. Upright the arbor assembly and position on post anchors. Insuring that the posts are plumb and the railing is level, drive screws through the posts into the anchors.



17 Gingerbread scroll starter strips are screwed into place centered on the bottom of the upper railing assembly and the post.

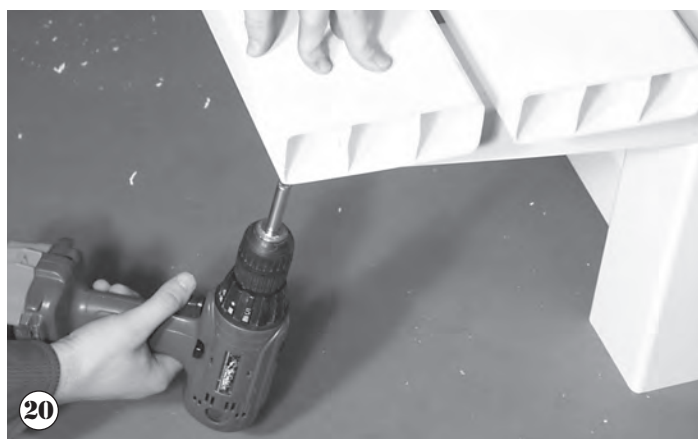


18 The scroll is fitted over the starter strip and secured in place with screws.



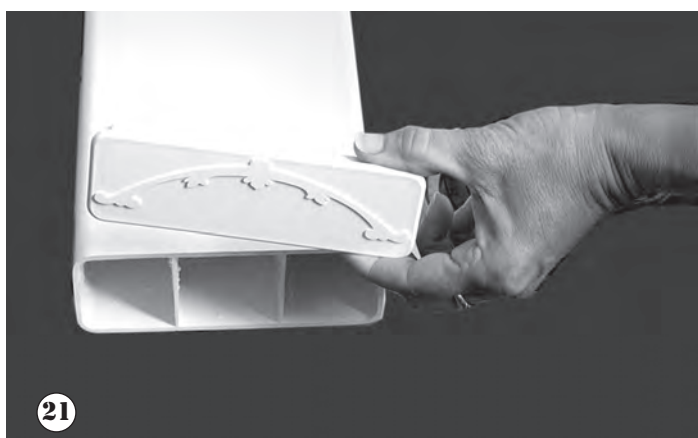
19

Center bench planks on bench brackets leaving approximately 1" from the back of the plank to the post and approximately 1" between planks.



20

Drive screws into plank bottoms through bench brackets from the bottom.



21

Glue end caps onto bench planks.



22

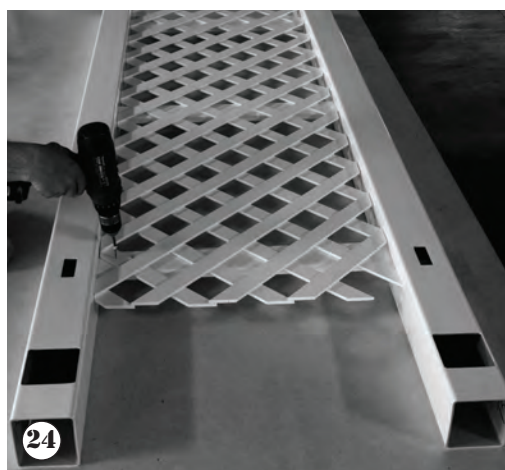
The completed arbor is ready for you to enjoy.

Kingston Arbor Side Wall Assembly



23

Side walls for the Kingston arbor differ from the other arbors. Lay out posts using the same criteria as previously described. Posts shown here are photographed with the top facing down. Insert cross pieces into posts.



24

Center the side wall lattice and attach with screws. Notice that the peep hole in the lattice will be at approximately eye level.

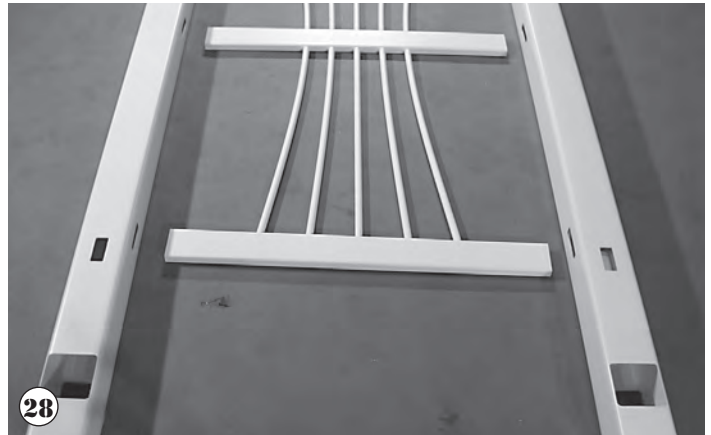


Slide lattice top and bottom caps over exposed ends.

Jefferson Side Wall Assembly



The Jefferson side walls are built by inserting dowels into the bottom rail first, then the middle and, finally, the top. Note that the middle rail has holes that are closer together than the top and bottom.



Assemble the side wall as shown here and screw the crosspieces to the posts. Note that this photo was taken with the top of the arbor facing the bottom of the page.

Proceed to Fig #9.



Victorian Arbor Roof Installation

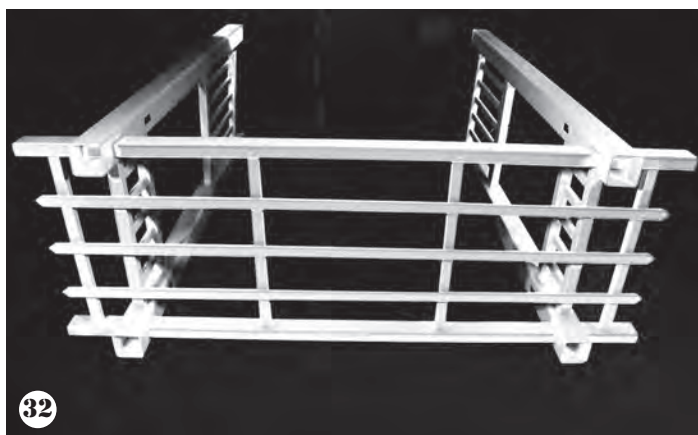


The Victorian style roof is different than the other arbors.

Begin by inserting the two middle cross pieces into the beams. Fix them in place by driving screws through the beams into the cross pieces. Center the 3 roof top pieces on the cross pieces and fix in place, driving screws through the top pieces into the cross pieces. Insert the beams into the side walls.



Insert one end of the outside cross piece and force the other end into the opposite beam as shown. Secure with screws as in previous step.



Proceed to Figs #11-16.

Contents of Shipment

Kingston Arbor:

Box #1

<u>Quantity</u>	<u>Description</u>
4	4" x 87" Routed Arbor Posts (2-Left & 2-Right)
4	4" x 32" Aluminum Arbor Anchors
6	7/8" x 3" x 31 1/2" Blank Arbor Rails
4	1/2" x 24" Vinyl Lattice Channels
1	Screw Pack for Kingston Arbor
1	Instruction Sheet

Box #2

<u>Quantity</u>	<u>Description</u>
2	Arched Arbor Tops
9	1 1/2" Sq. x 25 7/8" Roof Cross Pieces
4	Arbor Braces
4	4" Spade Caps
4	3 1/2" Sq. Arbor Caps
1	4-oz Can Glue

Box #3

<u>Quantity</u>	<u>Description</u>
2	24" x 70" Vinyl Lattice 2 3/4" Hole

Heritage, Madison, & Kinzer Arbors

Box #1

<u>Quantity</u>	<u>Description</u>
4	4" x 90" Routed Arbor Posts (2-Left & 2-Right)
4	4" x 32" Aluminum Arbor Anchors
4	2" x 4" x 31 1/2" Routed Rails
4	1 3/4" Sq. x 31 1/2" Routed Trim Rails
10	31" Balusters
10	11 1/2" Madison Balusters
1	Screw Pack for Arbors
4	Gingerbread Scrolls
1	Instruction Sheet

Box #2

<u>Quantity</u>	<u>Description</u>
2	Arched Arbor Tops
9	1 1/2" Sq. x 25 7/8" Roof Cross Pieces
4	Arbor Braces
4	4" Spade Caps
4	3 1/2" Sq. Arbor Caps
1	4-oz Can Glue

Jefferson Arbor:

Box #1

<u>Quantity</u>	<u>Description</u>
4	4" x 87" Routed Arbor Posts (2-Left & 2-Right)
4	4" x 32" Aluminum Arbor Anchors
6	7/8" x 3" x 31 1/2" Routed Arbor Rails
10	5/8" Rd. x 59" Spokes
1	Screw Pack for Arbors
1	Instruction Sheet

Box #2

<u>Quantity</u>	<u>Description</u>
2	Arched Arbor Tops
9	1 1/2" Sq. x 25 7/8" Roof Cross Pieces
4	Arbor Braces
4	4" Spade Caps
4	3 1/2" Sq. Arbor Caps
1	4-oz Can Glue

Victorian Arbor

Box #1

<u>Quantity</u>	<u>Description</u>
4	4" x 87" Routed Arbor Posts (2-Left & 2-Right)
4	4" x 32" Aluminum Arbor Anchors
2	2" x 4" x 84" Routed Roof Rails
3	7/8" x 1 1/2" x 80" Roof Pieces
4	Gingerbread Scrolls
4	Arbor Braces
1	Instruction Sheet

Box #2

<u>Quantity</u>	<u>Description</u>
4	2" x 4" x 31 1/2" Routed Rails
4	1 3/4" Sq. x 31 1/2" Routed Trim Rails
4	1 1/2" Sq. x 29" Roof Cross Pieces
10	31" Victorian Balusters
10	11 1/2" Victorian Balusters
4	4" Spade Caps
4	2" x 4" Outside Fit Caps
6	7/8" x 1 1/2" Pointed Caps
1	Screw Pack for Victorian Arbors

Arbor Seat Assembly

<u>Quantity</u>	<u>Description</u>
4	2" x 6" x 36" Bench Rails w/Ribs
4	Arbor Seat Brackets
8	2" x 6" 'Leaf Design' End Caps
1	Screw Pack for Arbor Seat Assembly
1	Instruction Sheet

