

Antique Rural Mailboxes – 4850-A Newspaper Holder Installation Instructions

U.S.P.S. APPROVED

Installing Newspaper Holder under Mailbox

Thank you for selecting Salsbury's 4850-A antique rural mailbox. We are confident that the quality and construction of the mailbox will prove to be a good investment.

This instruction sheet is for installing the 4850-A mailbox along with a 4815-A newspaper holder. Other installation instructions are available for installing the mailbox on a standard post, installing the mailbox on a decorative post, installing the mailbox on spreaders, or installing the post in a concrete footing.

When you install a curbside or roadside mailbox, make sure that it is easily accessible to the mail carrier. By regulation it should be 41" to 45" from the ground or street surface up to the inside floor of the mailbox. The door should be set back 6" to 8" back from the front face of the curb or the road edge. However, you should check with your local postmaster to ensure that the mailbox is installed according to local regulations.

The mailbox is fastened to the newspaper holder with six (6) 5/16" carriage bolts, washers, and acorn nuts. The mailbox should be attached to the upper "A" holes when attached to a decorative post or the "B" holes when attached to a standard post as shown in Illustration 1. The assembled mailbox and newspaper holder is then fastened to the standard or decorative post with the appropriate hardware in the lower "A" or "B" holes, as required. When attaching to a decorative post, use the six (6) 5/16" carriage bolts. When attaching to a standard post, use the four (4) 5/16" hex washer head bolts included with the standard post. The four 5/16" hex washer head bolts are used to attach to the standard post, and the six (6) 5/16" carriage bolts with washers and acorn nuts are used to attach to the decorative post. See Illustration 2.

Illustration 1

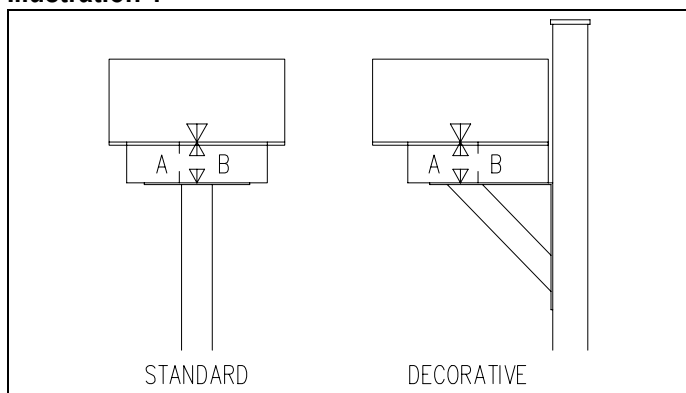
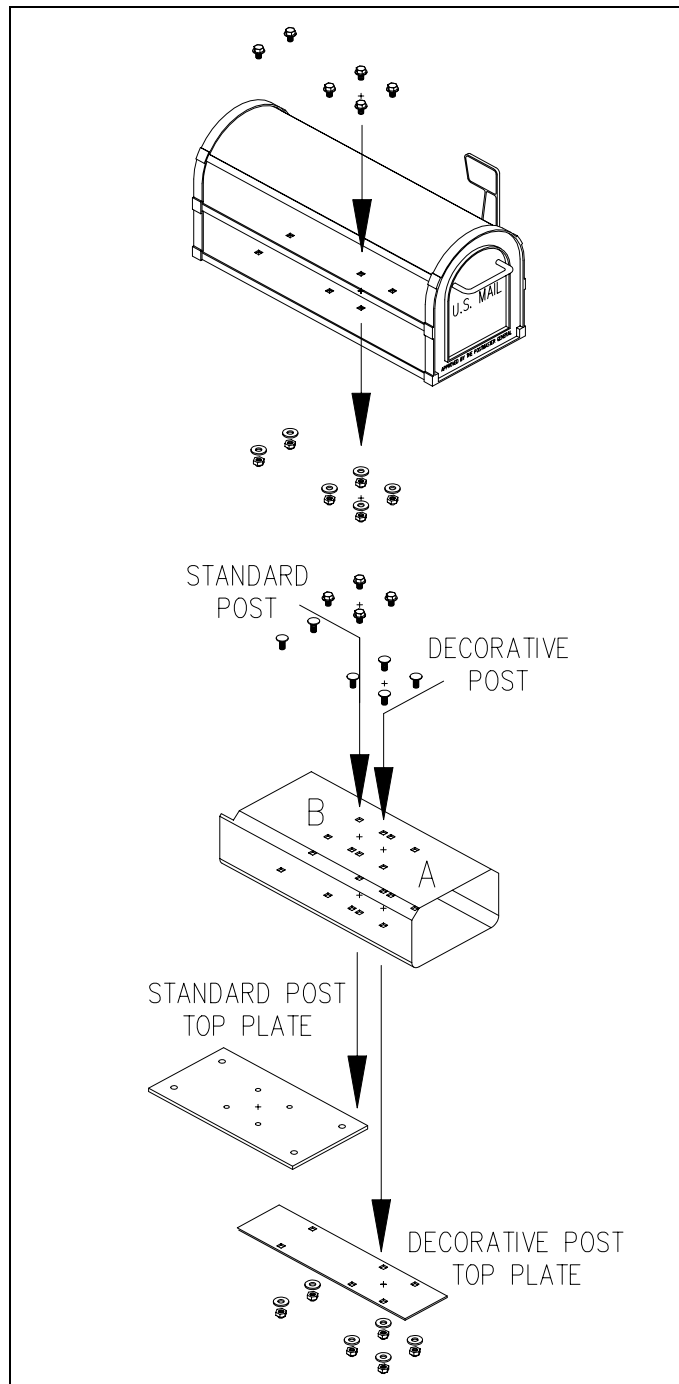


Illustration 2



SALSBURY INDUSTRIES

1010 East 62nd Street, Los Angeles, CA 90001-1598
Phone: 1-800-624-5269 Int'l Phone: 323-846-6700
Fax: 1-800-624-5299 Int'l Fax: 323-846-6800
www.mailboxes.com engineering@mailboxes.com

Installation instructions are provided as general guidelines. It is advised that a professional installer be consulted. Salsbury Industries assumes no product assembly or installation liability.
Copyright © 2006 Salsbury Industries. All rights reserved.